

# STIHL®

## STIHL BT 121

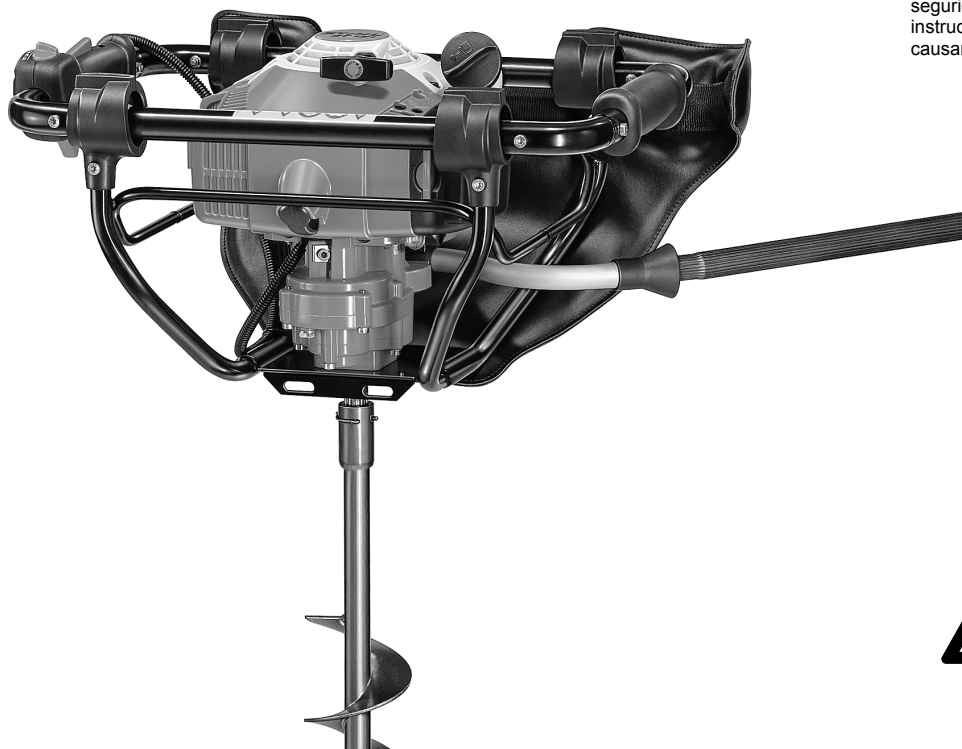
Instruction Manual  
Manual de instrucciones

**Warning!**

Read and follow all safety precautions in Instruction Manual – improper use can cause serious or fatal injury.

**Advertencia!**

Lea y siga todas las precauciones de seguridad dadas en el manual de instrucciones – el uso incorrecto puede causar lesiones graves o mortales.



## Contents

Guide to Using this Manual .....	2
Safety Precautions and Working Techniques .....	3
Assembling the Machine .....	11
Adjusting the Throttle Cable .....	11
Fuel .....	12
Fueling .....	13
Auger Brake .....	14
Fitting the Auger .....	15
Starting / Stopping the Engine .....	15
Operating Instructions .....	18
Releasing a Trapped Auger .....	19
Cleaning the Air Filter .....	19
Motor Management .....	19
Adjusting the Carburetor .....	20
Checking the Spark Plug .....	21
Engine Running Behavior .....	22
Lubricating the Gearbox .....	22
Replacing Starter Rope and Rewind Spring .....	23
Storing the Machine .....	25
Maintenance Chart .....	26
Main Parts and Controls .....	27
Specifications .....	28
Maintenance and Repairs .....	30
STIHL Incorporated	
Federal Emission Control	
Warranty Statement .....	31

Allow only persons who understand this manual to operate your earth auger.

To receive maximum performance and satisfaction from your STIHL earth auger, it is important that you read and understand the maintenance and safety precautions, starting on page 3, before using your earth auger.

Contact your STIHL dealer or the STIHL distributor for your area if you do not understand any of the instructions in this manual.

### **Warning!**

Because an earth auger is a high-torque, gasoline-powered tool, some special safety precautions must be observed to reduce the risk of personal injury.

Careless or improper use may cause serious or even fatal injury.

# STIHL®

## Guide to Using this Manual

### Pictograms

All the pictograms attached to the machine are shown and explained in this manual.

The operating and handling instructions are supported by illustrations.

### Symbols in text

The individual steps or procedures described in the manual may be marked in different ways:

- A bullet marks a step or procedure without direct reference to an illustration.


A description of a step or procedure that refers directly to an illustration may contain item numbers that appear in the illustration.


Example:


Loosen the screw (1)


Lever (2) ...

In addition to the operating instructions, this manual may contain paragraphs that require your special attention. Such paragraphs are marked with the symbols described below:

 Warning where there is a risk of an accident or personal injury or serious damage to property.

 Caution where there is a risk of damaging the machine or its individual components.

 Note or hint which is not essential for using the machine, but may improve the operator's understanding of the situation and result in better use of the machine.

 Note or hint on correct procedure in order to avoid damage to the environment.

### \* Equipment and features

This instruction manual may refer to several models with different features. Components that are not installed on all models and related applications are marked with an asterisk (\*). Such components may be available as special accessories from your STIHL dealer.

### Engineering improvements

STIHL's philosophy is to continually improve all of its products. As a result, engineering changes and improvements are made from time to time. If the operating characteristics or the appearance of your machine differ from those described in this manual, please contact your STIHL dealer for assistance.

Therefore some changes, modifications and improvements may not be covered in this manual.

## Safety Precautions and Working Techniques

### Warning!



Because an earth auger is a high-torque, gasoline-powered tool, some special safety precautions must be observed to reduce the risk of personal injury.



It is important that you read, fully understand and observe the following safety precautions and warnings. Read and understand the owner's manual and the safety instructions. Careless or improper use of any earth auger may cause serious or fatal injury.

### Warning!

Do not lend or rent your earth auger without the owner's manual. Be sure that anyone using your earth auger understands the information contained in this manual.

Have your STIHL dealer show you how to operate your earth auger. Observe all applicable local safety regulations, standards and ordinances.

### Danger!



Drilling into or contact with electrical wires may cause severe shock, burns or death. See "Working Conditions" below.

### Warning!

Striking a hard object in the earth with the turning auger and the resulting slowing or stopping of the auger creates reactive forces. The transfer of rotational (reactive) forces can cause the auger powerhead and handles to rotate suddenly in a counterclockwise direction and can result in loss of control or cause the handle frame to hit the operator or throw him to the ground, resulting in serious injury.

### Warning!

Minors should never be allowed to use an earth auger. Bystanders, especially children, and animals should not be allowed in the area where an earth auger is in use. Never let the earth auger run unattended.

See the appropriate section of your owner's manual for a description of the controls and function of the parts of your earth auger.

Most of these safety precautions and warnings apply to the use of all STIHL earth augers. Different models may have different parts and controls. See the appropriate section of your owner's manual for a description of the controls and function of the parts of your model earth auger.

Safe use of an earth auger involves

1. the operator
2. the earth auger
3. the use of the earth auger.

## THE OPERATOR

### Physical Condition

You must be in good physical condition and mental health and not under the influence of any substance (drugs, alcohol, etc.) which might impair vision, dexterity or judgment. Do not operate an earth auger when you are fatigued. Be alert - if you get tired while operating your earth auger, take a break. Tiredness may result in loss of control.

Working with any earth auger can be strenuous. If you have any condition that might be aggravated by strenuous work, check with your doctor before operating an earth auger.

**⚠ Warning!**

Prolonged use of earth augers (or other machines) exposing the operator to vibrations may produce whitefinger disease (Raynaud 's phenomenon) or carpal tunnel syndrome. These conditions reduce the hand's ability to feel and regulate temperature, produce numbness and burning sensations and may cause nerve and circulation damage and tissue necrosis.

All the factors which contribute to whitefinger disease are not known, but cold weather, smoking and diseases or physical conditions that affect blood vessels and blood transport, as well as high vibration levels and long periods of exposure to vibration are mentioned as factors in the development of whitefinger disease. In order to reduce the risk of whitefinger disease and carpal tunnel syndrome, please note the following:

- Wear gloves and keep your hands warm.
- Maintain a firm grip at all times, but do not squeeze the handles with constant, excessive pressure.
- Take frequent breaks.

All the above-mentioned precautions do not guarantee that you will not sustain whitefinger disease or carpal tunnel syndrome. Therefore, continual and regular users should monitor closely the condition of their hands and fingers. If any of the above symptoms appear, seek medical advice immediately.

**⚠ Warning!**

The ignition system of your unit produces an electromagnetic field of a very low intensity. This field may interfere with some pacemakers. To reduce the risk of serious or fatal injury, persons with a pacemaker should consult their physician and the pacemaker manufacturer before operating this tool.

## Proper Clothing

**⚠ Warning!**

To reduce the risk of injury, the operator should wear proper protective apparel.



Clothing must be sturdy and snug-fitting, but allow complete freedom of movement. Avoid loose-fitting jackets, flared or cuffed pants or anything

that could be drawn into the boring tool. Wear overalls or long pants to protect your legs. Secure hair so it is above shoulder level. Do not wear shorts. Use gloves when handling the earth auger.



To reduce the risk of falling as a result of the forces created by the earth auger, good footing is most important. Wear sturdy footwear with

nonslip soles. Steel-toed safety boots are recommended.

**⚠ Warning!**

Thrown objects may ricochet and strike the operator.



Therefore, to reduce the risk of injury to your eyes never operate an earth auger unless wearing goggles or properly fitted protective glasses with adequate top and side protection complying with ANSI Z 87.1 (or your applicable national standard).

**⚠ Warning!**

Wear an approved safety hard hat to protect your head when there is a danger of head injuries.

**⚠ Warning!**

Earth auger noise may damage your hearing. Wear sound barriers (ear plugs or ear muffs) to protect your hearing. Continual and regular users should have their hearing checked regularly.

**THE EARTH AUGER**

For illustrations and definitions of the earth auger parts see the chapters on "Parts and Controls" and "Definitions".

Never modify an earth auger in any way. Only drilling tools supplied by STIHL or expressly approved by STIHL for use with the specific STIHL earth auger models are authorized. Use of other drilling tools may increase the risk of injury.

Other tools, adaptors or fittings may mount to the auger, but may increase the risk of injury or death.

**THE USE OF THE EARTH AUGER****Transporting the earth auger****⚠ Warning!**

Always stop the engine before putting the earth auger down or carrying it. Carrying an earth auger with the engine running is dangerous.

Accidental acceleration of the engine can cause the drilling tool to rotate. During operation, the powerhead muffler and the material around it reach extremely high temperatures. Avoid setting down a hot unit onto dry, flammable material, or touching the hot muffler, you could receive serious burns.

**By hand:** Carry the earth auger with the drilling tool pointing to the rear – with the hot muffler away from your body.

**Transporting by vehicle:** When transporting in a vehicle, properly secure your power tool to prevent turnover, fuel spillage and damage.

When the power tool is not in use, shut it off and put it down so it cannot endanger others.

**⚠ Warning!**

Your earth auger produces toxic exhaust fumes as soon as the combustion engine is running. These gases (e.g. carbon monoxide)

may be colorless and odorless. To reduce the risk of serious or fatal injury from breathing toxic fumes, never run the earth auger indoors or in poorly ventilated locations. Ensure proper ventilation when working in trenches or other confined areas.

**⚠ Warning!**

Use of this product can generate dust and fumes containing chemicals known to cause respiratory disease, cancer, birth defects, or other reproductive harm. If you are unfamiliar with the risks associated with the particular dust or fume at issue, consult your employer, governmental agencies such as OSHA and NIOSH and other sources on hazardous materials. California and some other authorities, for instance, have published lists of substances known to cause cancer, reproductive toxicity, etc.

Control dust and fumes at the source where possible. In this regard use good work practices and follow the recommendations of OSHA/NIOSH and occupational and trade associations. When the inhalation of toxic dust and fumes cannot be eliminated, the operator and any bystanders should always wear a respirator approved by NIOSH/MSHA for the type of dust and / or fumes encountered.

**Fuel Mix**

Your STIHL earth auger uses an oil-gasoline mixture for fuel (see the chapter on "Fuel" in your owner's manual).

**⚠ Warning!**



Gasoline is an extremely flammable fuel. Use extreme caution when handling gasoline or fuel mix. Do not smoke or bring any fire or flame near the fuel.

**Fueling Instructions**

**⚠ Warning!**

Fuel your earth auger in well-ventilated areas, outdoors. Always shut off the engine and allow it to cool before refueling. Gasoline vapor pressure may build up inside the gas tank of any engine depending on the fuel used, the weather conditions, and the venting system of the tank.

In order to reduce the risk of burns and other personal injury from escaping gas vapor and fumes, remove the fuel filler cap on your earth auger carefully so as to allow any pressure build-up in the tank to release slowly. Never remove the fuel filler cap while the engine is running.

Select bare ground for fueling and move at least 10 feet (3 m) from the fueling spot before starting the engine. Wipe off any spilled fuel before starting your earth auger and check for leakage.

**⚠ Warning!**

Check for fuel leakage while refueling and during operation. If fuel or oil leakage is found, do not start or run the engine until leak is fixed and spilled fuel has been wiped away. Take care not to get fuel on your clothing. If this happens, change your clothing immediately.

**⚠ Warning!**

Unit vibrations can cause an improperly tightened fuel filler cap to loosen or come off and spill quantities of fuel. In order to reduce the risk of fuel spillage and fire, tighten the fuel filler cap by hand with as much force as possible.

**Operating the earth auger**

The earth auger should be operated by one person.

To reduce the risk of injury from reactive forces, the operator must have a firm grip on the machine and a good foothold before the throttle is opened to start the earth auger.

**Preparation for the use of the earth auger**

You should always inspect your earth auger for proper condition and operation before starting it. Pay special attention to the throttle trigger, throttle trigger interlock, stop switch, drilling tool and auger brake and their proper function.

**⚠ Warning!**

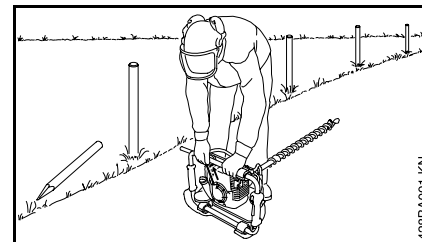
To reduce the risk of injury from a turning drilling tool or from reactive forces, the throttle trigger must move freely and return immediately to the idle position when it is released. Regular maintenance is important in this respect. Check the condition and the tightness of the drilling tool.

**Auger Brake**

Your model earth auger is equipped with an auger brake, which is designed to reduce the risk of injury from reactive forces by stopping the rotation of the auger / powerhead when the brake activating lever is engaged. It should also be used during starting and when unwinding a trapped auger. See the chapter on "Auger brake" for information on engagement of the brake.

**⚠ Warning!**

Never operate your earth auger if it is damaged, improperly adjusted or not completely and securely assembled. Injury could result.

**Starting**

For specific starting instructions, see the appropriate section of your manual.

**⚠ Warning!**

Your earth auger should be started only when it is held steady by the operator.

When starting your earth auger, place it on firm clean ground or other solid surface in an open area. Maintain good balance and secure footing.



**⚠ Warning!**

To reduce the risk of loss of control, be sure that the earth auger brake is engaged before starting. Because the engine speed at starting throttle is fast enough for the clutch to drive the drilling tool, the tool will turn unless the auger brake is engaged.

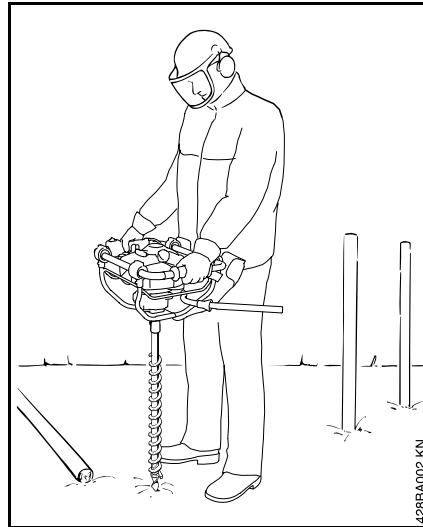
**⚠ Warning!**

When you pull the starter grip, don't wrap the starter rope around your hands. Do not allow the grip to snap back, but guide the starter rope slowly to permit the rope to rewind properly. Failure to follow this procedure may result in injury to hand or fingers and may damage the starter mechanism.

**Important Adjustments**

**⚠ Warning!**

At correct idle speed, the drilling tool should not rotate. For directions to adjust idle speed, see the appropriate section of your owner's manual. To reduce the risk of injury from a turning drilling tool do not use an earth auger with incorrect idle speed adjustment.



If you cannot set the correct idle speed, have your STIHL dealer check your earth auger and make proper adjustments or repairs.

**Working Conditions**



Striking something hard in the earth, such as a rock or gravel, may cause the drilling tool to slow down suddenly or stop. In such a situation, some or all of

the rotational force (reactive force) is transferred to the powerhead and handle frame of the earth auger which can cause the auger powerhead and handles to rotate suddenly in a counterclockwise direction.

**⚠ Warning!**

Work carefully in rocky ground or where other solid objects may be present. Keep throttle feed pressure to a minimum. If you feel or hear the drilling tool strike a solid object, release the throttle trigger immediately and remove the object before drilling is continued. When drilling in heavy clay soil, bore about 1/3 way and remove the auger from the hole. Clean off auger then continue in slow steps frequently clearing drill.

**⚠ Warning!**

You should hold your earth auger firmly to control sudden jolts and reactive forces. Be prepared to release the throttle completely if the forces become too great. If reactive forces are not controlled, rotation of the handles may result in severe jerking and loss of control and may cause the handle frame to strike you or throw you to the ground. Your model earth auger is equipped with an auger brake. If the auger hits something it cannot drill through and the powerhead begins to rotate so that the auger brake activating lever strikes the operator's thigh and engages, the brake is designed to stop the rotation of the powerhead.

**⚠ Warning!**

In order to reduce the risk of serious or fatal injury from reactive forces, never operate your earth auger without a properly functioning auger brake.

If the auger becomes trapped in the drillhole, turn off the engine immediately and remove as described in the chapter entitled "Removing a Trapped Auger".

**⚠ Warning!**

Operate and start your earth auger only outdoors in a well ventilated area. Operate the earth auger under good visibility and daylight conditions only. Work carefully. Always hold the earth auger firmly with both hands. Wrap your fingers tightly around the handles, keeping the handles cradled between your thumb and fingers. Keep your hands in this position to have your earth auger under control at all times. Make sure your earth auger handles and grip are in good condition and free of moisture, pitch, oil or grease.

**DANGER!**

Contact with electrical cables or wires can cause serious injury or death as a result of electrical shock. This unit is not insulated.

**⚠ Warning!**

To reduce the risk of electrocution and damage to property, always be alert for underground pipes and cables and for overhead wires. Before drilling, obtain the necessary plans and permits.

Contact your local utility company or your locator service, such as "Miss Utility" or "One Call", for information as to cable and pipe locations. Where necessary, confirm actual location by use of devices such as cable detectors and/or by carefully dug trenches. Stay clear of overhead electrical wires when backing the drilling tool out of the hole. If any portion of the machine strikes a wire, it will cause electrical shock or death.

**⚠ Warning!**

To reduce the risk of falling, be careful when carrying or operating the machine in slippery conditions when the ground is wet, icy or snow covered. Special care must also be taken on embankments and slopes.

## Operating Instructions

### **Warning!**

To reduce the risk of injury, never touch a rotating drilling tool or drilling spindle with your hand or any part of your body. It continues to rotate for a short period after the throttle lever is released.

Always shut off the engine before putting the machine down or transporting it over a long distance.

When taking the drilling tool out of the hole, lift the machine vertically so that the tool comes out straight without canting. Cover and clearly mark boreholes, to prevent anyone from stepping in a hole.

## Maintenance, Repair and Storing

**Maintenance, replacement, or repair of the emission control devices and systems may be performed by any nonroad engine repair establishment or individual. However if you claim warranty for a component which has not been serviced or maintained properly or if nonapproved replacement parts were used, STIHL may deny warranty.**

Use only STIHL replacement parts for maintenance and repair. Use of parts manufactured by others may damage your earth auger or cause serious injury. Follow the maintenance and repair instructions in the appropriate section of your owner's manual.

### **Warning!**

Always stop the engine before doing any maintenance or repair work. Do not attempt any maintenance or repair work not described in your owner's manual. Have such work performed at your STIHL servicing dealer only.

### **Warning!**

Check condition of drilling tool at regular short intervals. If behavior of tool changes, check immediately for tightness or any signs of cracks in particular.

### **Warning!**

Replace damaged drilling tools immediately, even if they have only superficial cracks. Never attempt to repair damaged drilling tools.

Check fuel filler cap for leaks at regular intervals. Use the specified spark plug and make sure it and the ignition lead are always in good condition. Keep spark plug and wire connections tight and clean.

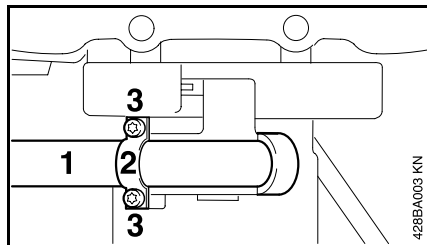
### **Warning!**

A worn or damaged muffler is a fire hazard and may cause hearing loss. Check to see that the muffler is in good condition. The earth auger must not be operated if the muffler is not functioning properly or has been removed. Never touch a hot muffler or burn will result. In order to reduce the risk of fire, do not modify or remove any part of the muffler. Tighten all nuts, bolts and screws except the carburetor adjustment screws after each use.

For any maintenance please refer to the maintenance chart **and to the warranty statement** near the end of this manual.

Store earth auger in a high or locked place, away from children, and empty the fuel tank before storing for longer than a few days.

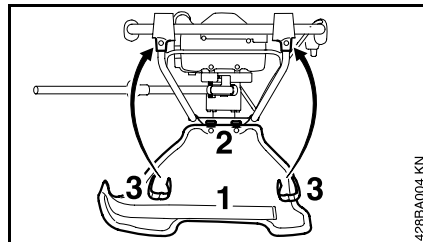
## Assembling the Machine



### Mounting the Auger Brake Lever

- Place the activating lever (1) in the retainer.
- Fit the clamp (2) on the activating lever.
- Insert the screws (3) and tighten them down firmly.

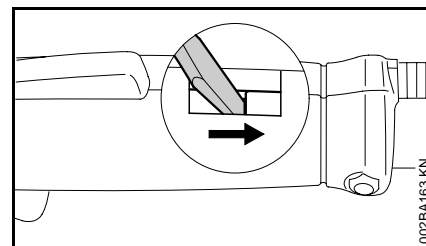
### Fitting the Padding



- Attach the holders (2) of the padding (1) to the slots in the handle frame.
- Swing the padding upwards and secure it to the handlebar with the hook-and-loop strips (3).

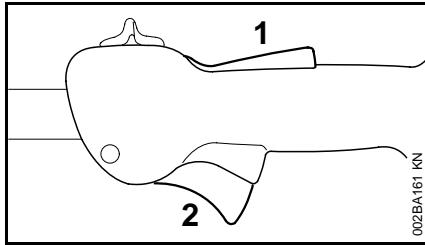
## Adjusting the Throttle Cable

- 💡 A properly adjusted throttle cable is the precondition for correct operation in the full throttle, starting throttle and idle positions.



- Use a suitable tool to push the slide to the bottom of the slot (see illustration).

## Fuel



- Press down the trigger interlock (1) and squeeze the throttle trigger (2) (full throttle) – this sets the throttle cable correctly.

This engine is certified to operate on unleaded gasoline and the STIHL two-stroke engine oil at a mix ratio of 50:1.

Your engine requires a mixture of high-quality gasoline and quality two-stroke air cooled engine oil.

Use mid-grade unleaded gasoline with a minimum octane rating of 89 (R+M/2). If the octane rating of the mid-grade gasoline in your area is lower, use premium unleaded fuel.

Fuel with a lower octane rating may increase engine temperatures. This, in turn, increases the risk of piston seizure and damage to the engine.

The chemical composition of the fuel is also important. Some fuel additives not only detrimentally affect elastomers (carburetor diaphragms, oil seals, fuel lines, etc.), but magnesium castings and catalytic converters as well. This could cause running problems or even damage the engine. For this reason STIHL recommends that you use only nationally recognized high-quality unleaded gasoline!

Use only STIHL two-stroke engine oil or equivalent high-quality two-stroke engine oils that are designed for use only in air cooled two-cycle engines.

We recommend STIHL 50:1 two-stroke engine oil since it is specially formulated for use in STIHL engines.

Do not use BIA or TCW rated (two-stroke water cooled) mix oils or other mix oils that state they are for use in both water cooled and air cooled engines (e.g., outboard motors, snowmobiles, chainsaws, mopeds, etc.).

Take care when handling gasoline. Avoid direct contact with the skin and avoid inhaling fuel vapor. When filling at the pump, first remove the canister from your vehicle and place the canister on the ground before filling. Do not fill fuel canisters that are sitting in or on a vehicle.

The canister should be kept tightly closed in order to avoid any moisture getting into the mixture.

The machine's fuel tank and the canister in which fuel mix is stored should be cleaned as necessary.

## Fueling



### Fuel mix ages

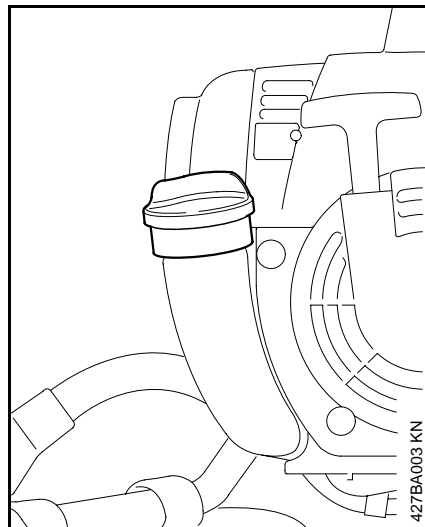
Only mix sufficient fuel for a few days work, not to exceed 3 months of storage. Store in approved fuel-canisters only. When mixing, pour oil into the canister first, and then add gasoline. Close the canister and shake it vigorously by hand to ensure proper mixing of the oil with the fuel.

Gasoline	Oil (STIHL 50:1 or equivalent high-quality oils)
----------	--

US gal.	US fl.oz
---------	----------

1	2.6
2 1/2	6.4
5	12.8

Dispose of empty mixing-oil canisters only at authorized disposal locations.

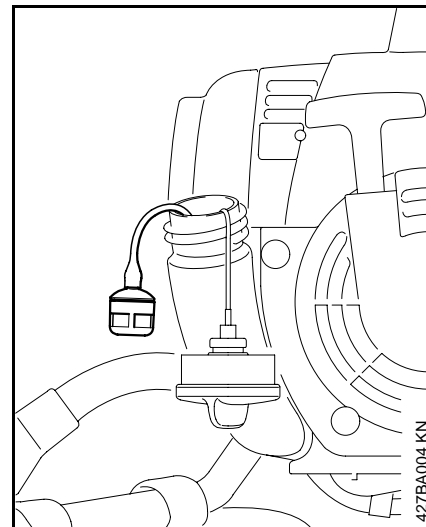


Before fueling, clean the filler cap and the area around it to ensure that no dirt falls into the tank.

Always thoroughly shake the mixture in the can before fueling your machine.

**⚠** In order to reduce the risk of burns or other personal injury from escaping gas vapor and fumes, remove the fuel filler cap carefully so as to allow any pressure build-up in the tank to release slowly..

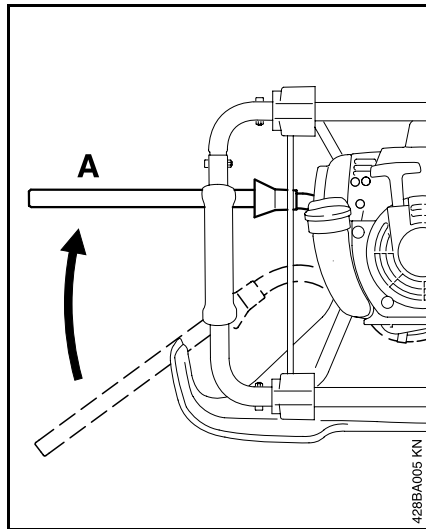
**⚠** After fueling, tighten down the filler cap by hand **as securely as possible**.



**Change the fuel pickup body every year.**

Before storing your machine for a long period, drain and clean the fuel tank. Run the engine until the carburetor is dry.

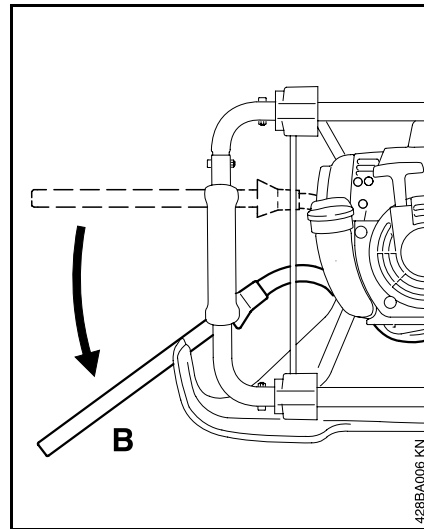
## Auger Brake



### Engaging the Auger Brake

- Move the activating lever to position **A** to engage the brake
  - when starting the engine
  - at idle speed
  - to unwind a trapped auger

If the auger snags on an obstacle in the hole (e.g. roots or stones) the earth auger will rotate counterclockwise – the activating lever is pressed against the operator's thigh and thus engages the auger brake.



### Disengaging the Auger Brake

- Move the activating lever to position **B**.

### Check Operation of Auger Brake

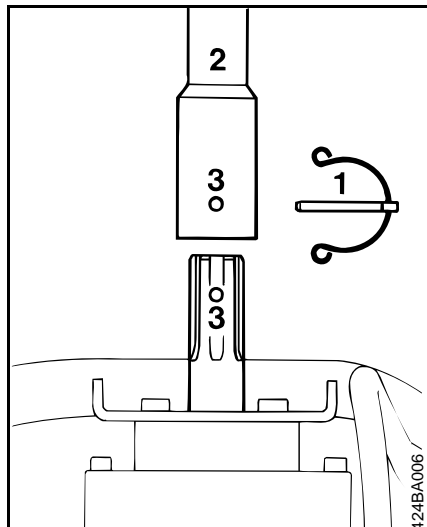
Before you start work:

With the engine running at idle speed, engage the auger brake and then open the throttle wide for no more than 3 seconds – the auger must not rotate.

The auger brake is subject to normal wear and tear.

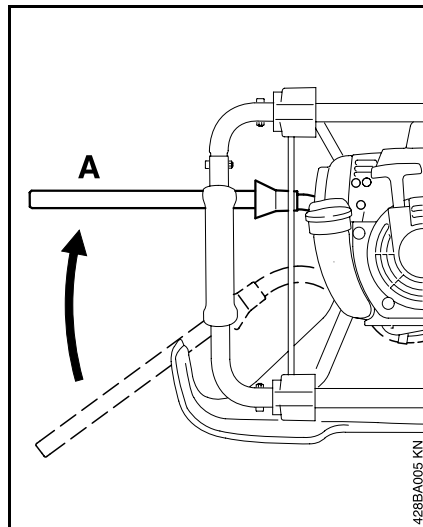
Check that it is operating properly before you start work. If the auger brake fails, have it repaired immediately by your STIHL dealer.

## Fitting the Auger



- Shut off the engine. Put the earth auger on the ground so that the drilling spindle faces up.
- Engage the auger brake.
- Pull retaining pin (1) out of the auger's shank.
- Push the auger (2) onto the drilling spindle so that the holes (3) line up.
- Push retaining pin into the hole.
- Spring clip on retaining pin must fit snugly around auger's shank.

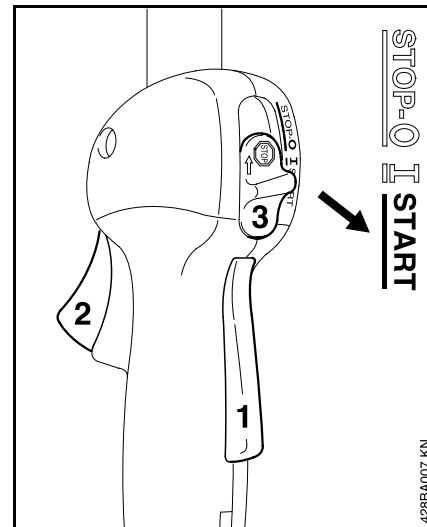
## Starting / Stopping the Engine



- Observe safety precautions – see chapter on "Safety Precautions".

### Engaging Auger Brake

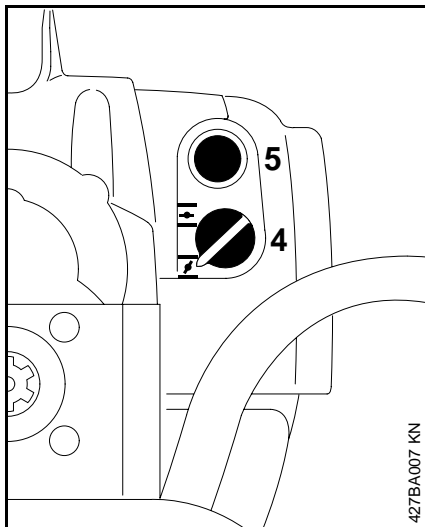
- Move the activating lever to position **A**.



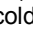
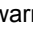
### Starting

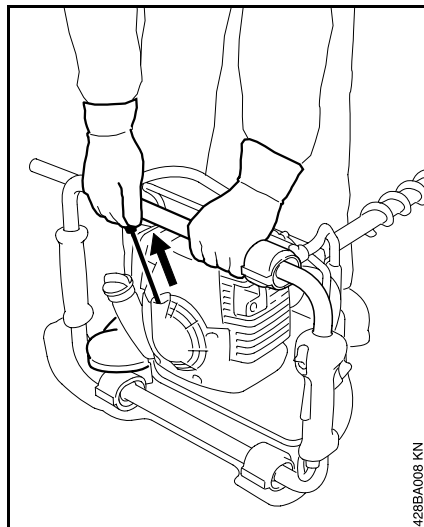
- Press down the throttle trigger interlock (1), squeeze the throttle trigger (2) and hold them in that position.
- Move the slide control (3) to **START** and hold it there.
- Now release the throttle trigger, slide control and throttle trigger interlock in that order. This is the **starting throttle position**.





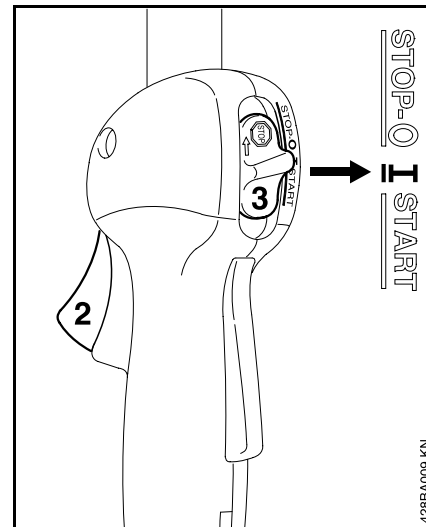
427BA007 KN

- Set the choke knob (4):  
To  if engine is cold.  
To  if engine is warm.  
(also use this setting if the engine has been running but is still cold)
- Press the fuel pump bulb (5) at least five times.



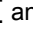

428BA008 KN

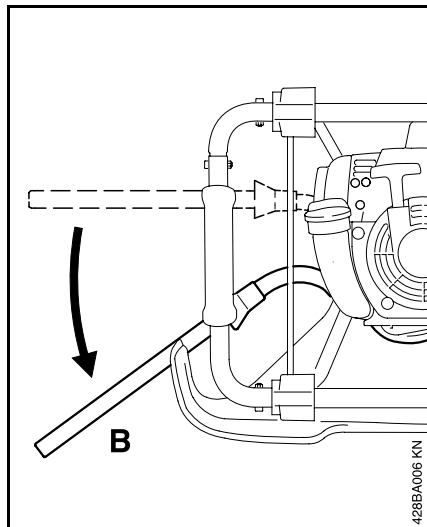
- Place the machine on the ground so that it is secure.
- Put your right foot in the handle frame and press down, left hand on the handle frame.
- Pull the starter grip slowly with your right hand until you feel it engage – and then give it a brisk strong pull. Do not pull out starter rope to full length – it might break.
- Do not let the starter grip snap back – guide it back into the housing so that the starter rope can rewind properly.
- Continue cranking until the engine runs.



428BA009 KN

**When the engine begins to fire:**

- Turn the choke knob to  and continue cranking.
- As soon as the engine runs:
- Blip the throttle trigger (2) – the slide control (3) moves to the run position **I** and the engine settles down to idle speed.
-  Since the auger brake is still engaged, the engine must be returned to idle speed **immediately** – or the clutch might otherwise be damaged.



- Stand the unit on the tip of the auger.
- Disengage the auger brake by moving the activating lever to position **B**. Your earth auger is now ready for operation.

Make sure the carburetor is correctly adjusted – the auger must not rotate when the engine is idling.

#### To shut down the engine:

- Push the slide control in direction of to

#### At very low outside temperatures: Allow engine to warm up

- As soon as the engine runs:
- Blip the throttle trigger to disengage the starting throttle position – the slide control moves to the normal run position and the engine returns to idle speed.
  - Open throttle slightly – warm up the engine for a short period.

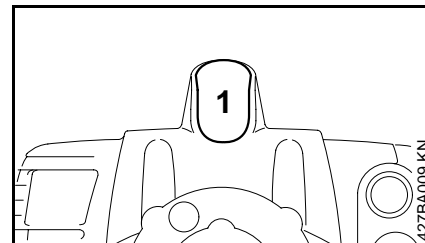
#### If the engine does not start:

If you did not turn the choke knob to quickly enough after the engine began to fire, the combustion chamber has flooded.

- Turn the choke knob to
- Set the slide control, trigger interlock and throttle trigger to the starting throttle position.
- Start the engine – pull the starter rope briskly – 10 to 20 pulls may be necessary.

#### If the engine still does not start:

- Push the slide control in direction of to



- Pull off the spark plug boot (1).
- Unscrew and dry off the spark plug.
- Open the throttle wide.
- Pull the starter rope several times to clear the combustion chamber.
- Fit the spark plug and connect the spark plug boot – press it down firmly.
- Move the slide control to **START**.
- Move the choke knob to even if the engine is cold.
- Now start the engine.

## Operating Instructions

### Throttle cable adjustment

- Check adjustment of throttle cable – see chapter on "Adjusting the Throttle Cable".

### If tank has been run completely dry and then refilled:

- Press the fuel pump bulb at least five times.
- Now start the engine.

### During Break-in Period

A factory new machine should not be run at high revs (full throttle off load) for the first three tank fillings. This avoids unnecessary high loads during the break-in period. As all moving parts have to bed in during the break-in period, the frictional resistances in the engine are greater during this period. The engine develops its maximum power after about 5 to 15 tank fillings.

### During Operation

After a long period of full-throttle operation, allow engine to run for a while at idle speed so that the heat in the engine can be dissipated by the flow of cooling air. This protects engine-mounted components (ignition, carburetor) from thermal overload.

### After Finishing Work

Wait for the engine to cool down. Drain the fuel Kraftstofftank and store the machine in a dry place. Check the tightness of all accessible screws and nuts (not adjusting screws) at regular intervals and retighten as necessary.

### Working with Shaft Extension (special accessory)

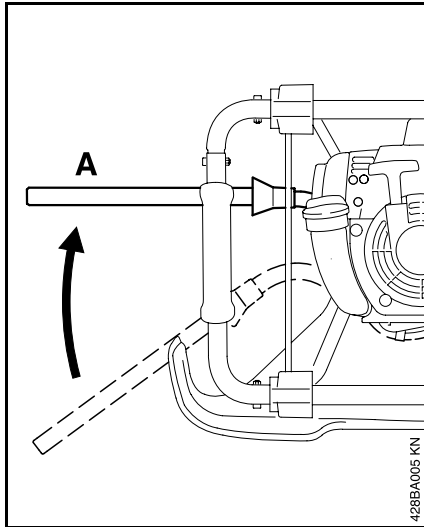
Do not fit the shaft extension until the full length of the auger is in the hole.



Starting a hole with the shaft extension fitted increases the risk of personal injury because the unit is then at chest height and cannot be kept properly under control.

For the same reason the shaft extension must be removed before the auger is pulled out of the hole.

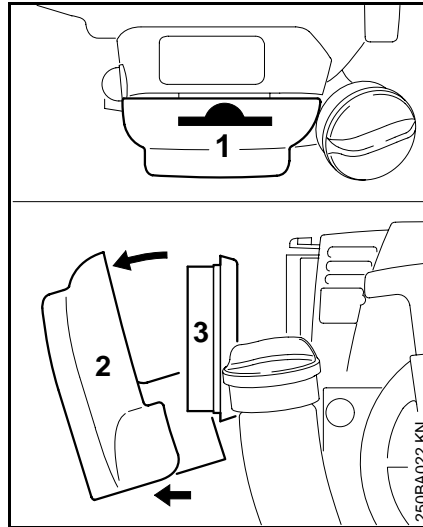
## Releasing a Trapped Auger



If the auger jams in the drill hole, shut off the engine immediately.

- Move the slide control in direction of to .
- Engage the auger brake by moving the activating lever to position **A**.
- Now rotate the whole machine to the left – counterclockwise – to unwind the auger from the ground.

## Cleaning the Air Filter



### If there is a noticeable loss of engine power

- Turn choke knob to .
- Press in the tab (1).
- Remove the filter cover (2).
- Clean away loose dirt from inside of filter cover and around the filter.
- Remove the filter element (3) and check it – if it is dirty or damaged, fit a new element.
- Fit the filter element in the filter cover.
- Push the filter cover into position.

## Motor Management

Exhaust emissions are controlled by the design of the fundamental engine parameters and components (e.g. carburation, ignition, timing and valve or port timing) without the addition of any major hardware.

## Adjusting the Carburetor

### General Information

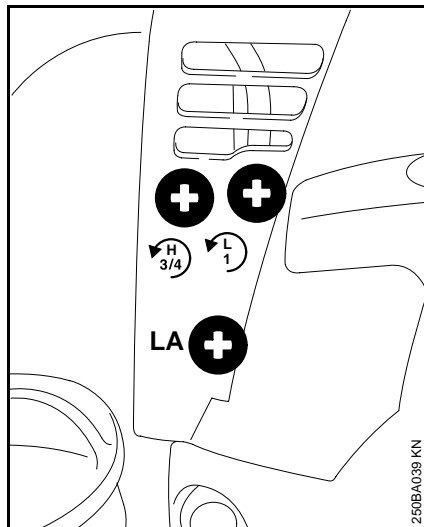
Your carburetor comes from the factory with a standard setting.

This setting provides an optimum fuel-air mixture under most operating conditions.

With this carburetor it is only possible to adjust the high speed screw within fine limits.

### Standard Setting

- Shut down the engine.
- Remove the auger from the machine.
- Check air filter and clean or replace as necessary.
- Check that the throttle cable is properly adjusted and readjust if necessary – see chapter on "Adjusting the Throttle Cable".



- Turn the high speed screw (**H**) counterclockwise as far as stop – **max.  $\frac{3}{4}$  turn**
- Carefully turn the low speed screw (**L**) down onto its seat clockwise. Then open it **one turn** counterclockwise.
- Start and warm up the engine.
- Adjust idle speed with the idle speed screw (**LA**) so that the drilling spindle does not rotate.

### Adjusting Idle Speed

#### Engine stops while idling

- Carry out standard setting with the low speed screw (**L**).
- Turn the idle speed screw (**LA**) clockwise until the engine runs smoothly – the drilling spindle must not rotate.

#### Drilling spindle rotates when engine is idling

- Turn the idle speed screw (**LA**) counterclockwise until the drilling spindle stops rotating – then turn the screw about another **half to one full turn** in the same direction from that position.

## Checking the Spark Plug

### Erratic idling behavior, poor acceleration

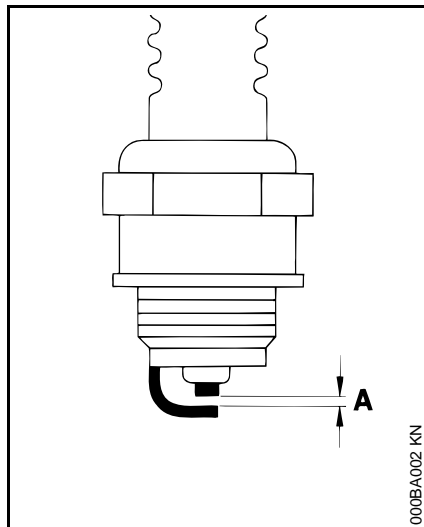
- Carry out standard setting with the low speed screw (L).
- Idle setting too lean:  
Turn the low speed screw (L) counterclockwise until the engine runs and accelerates smoothly.

It is usually necessary to change the setting of the idle speed screw (LA) after every correction to the low speed screw (L).

### Fine tuning the carburetor for operation at high altitude

A slight correction may be necessary if the engine does not run satisfactorily:

- Check the standard setting.
- Warm up the engine.
- Turn the high speed screw (H) clockwise (leaner).



Wrong fuel mix (too much engine oil in the gasoline), a dirty air filter and unfavorable running conditions (mostly at part throttle etc.) affect the condition of the spark plug. These factors cause deposits to form on the insulator nose which may result in trouble in operation.

If engine is down on power, difficult to start or runs poorly at idling speed, first check the spark plug.

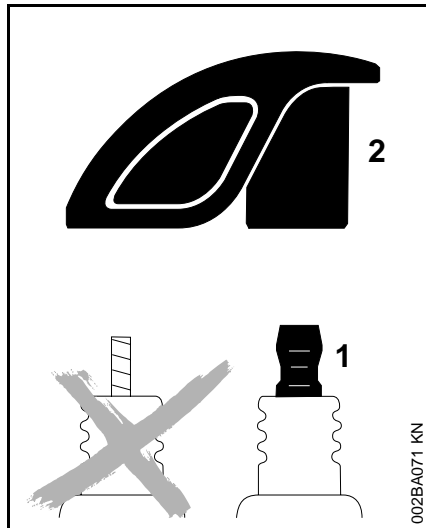
- Remove spark plug as described in chapter "Starting / Stopping the Engine".
- Clean dirty spark plug.
- Check the electrode gap (A) and readjust if necessary – see "Specifications".
- Use only resistor type spark plugs of the approved range.

Rectify problems which have caused fouling of spark plug:

- Too much oil in fuel mix.
- Dirty air filter.
- Unfavorable running conditions, e.g. operating at part load.

**Fit a new spark plug after approx. 100 operating hours** or earlier if the electrodes are badly eroded.

## Engine Running Behavior



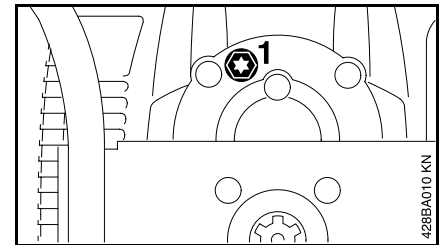
- ⚠** To reduce the risk of fire and burn injury, use only spark plugs authorized by STIHL. Always press spark plug boot (2) snugly onto terminal (1) of the proper size. (Note: If terminal has detachable SAE adapter nut, it must be attached.) A loose connection between spark plug boot and ignition wire connector in the boot may create arcing that could ignite combustible fumes and cause a fire.

If engine running behavior is unsatisfactory even though the air filter is clean and the carburetor properly adjusted, the cause may be in the muffler.

- Have the muffler checked for contamination (coking).

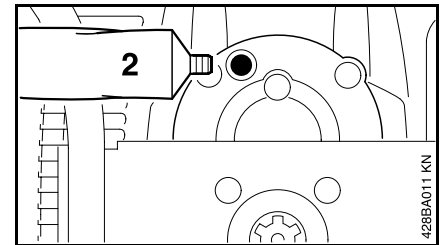
STIHL recommends that all maintenance and repair work be carried out by an authorized STIHL dealer.

## Lubricating the Gearbox



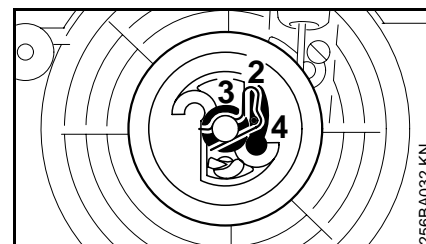
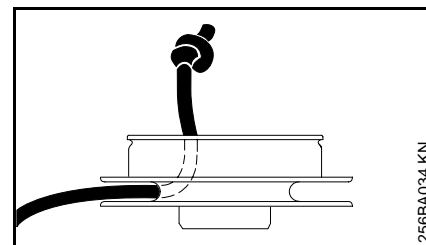
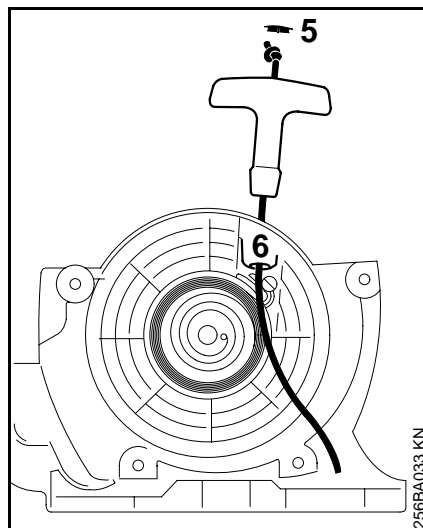
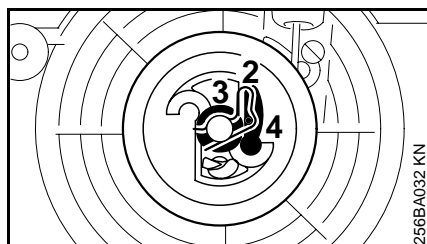
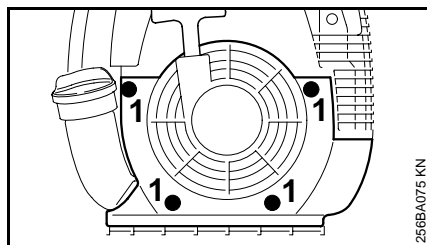
Check grease level after about every 50 hours of operation:

- Unscrew the filler plug (1). If no grease can be seen on the inside of the filler plug, refill the gearbox.



- Apply the tube (2) of STIHL gear lubricant 0781 120 1117 to the filler hole.
- Squeeze 1/4 oz (5 - 10g) grease into the gearbox.  
Do not over-fill the gearbox.
- Refit the filler plug and tighten it down firmly.

## Replacing Starter Rope and Rewind Spring

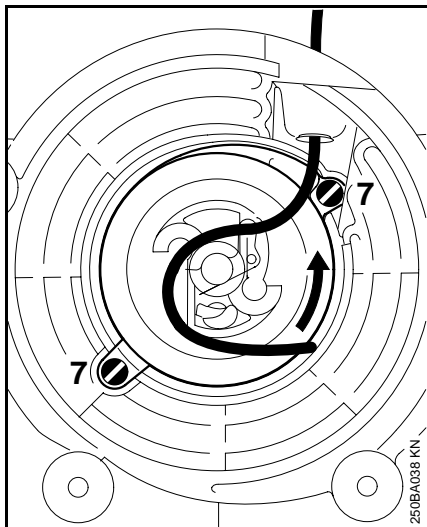


### Replacing a Broken Starter Rope

**⚠** The rewind spring may pop out and uncoil during this operation. Take care to avoid injury.

- Remove the screws (1).
- Lift away the fan housing.
- Remove the spring clip (2).
- Carefully remove the rope rotor with washer (3) and pawl (4).
- Ease the cap (5) out of the starter grip.
- Remove remaining rope from the rotor and grip.
- Tie a simple overhand knot in the new rope – see "Specifications" – and then thread it through the top of the grip and the rope bush (6).
- Refit the cap in the grip.
- Thread the rope through the rotor and secure it with a simple overhand knot.
- Coat rope rotor bearing bore with non-resinous oil – see "Special Accessories".
- Slip rotor over starter post – turn it back and forth to engage anchor loop of rewind spring.
- Refit the pawl (4).
- Fit the washer (3).
- Install spring clip (2) on starter post and engage it on the pawl's peg – the spring clip must point clockwise.





### Tensioning the Rewind Spring

- Make a loop in the unwound starter rope and use it to turn the rope rotor six full revolutions counterclockwise.
- Hold the rotor steady – pull out and straighten the twisted rope.
- Release the rope rotor.

- Let go of rope slowly so that it winds onto the rotor. The starter grip must locate firmly in the rope guide bush. If the grip droops to one side: Add one more turn on rope rotor to increase spring tension.

When the starter rope is **fully extended** it must still be possible to rotate the rotor another **1 1/2** turns.

- ⚙️ If this is not the case, the spring is overtensioned and could break.
- Take one turn of rope off the rotor in such a case.
- Fit the fan housing.

### Replacing a Broken Rewind Spring

- Remove the rope rotor as described under "Replacing a Broken Starter Rope".
- ⚠️ The bits of spring in the fan housing might still be under tension and could fly apart when you take them out of the housing. To reduce risk of injury, wear eye and face protection and work gloves.

- Take out the screws (7).
- Remove the spring housing and parts of spring.
- Lubricate replacement spring in new spring housing with a few drops of non-resinous oil – see "Special Accessories".

Place the replacement spring with housing in position – bottom plate must face up. If the spring pops out of the housing during installation: Refit it in the clockwise direction, starting outside and working inward.

- Fit the screws.
- Install the rope rotor as described under "Replacing a Broken Starter Rope".
- Tension the rewind spring.
- Fit the fan housing.

## Storing the Machine

For periods of about 3 months or longer:

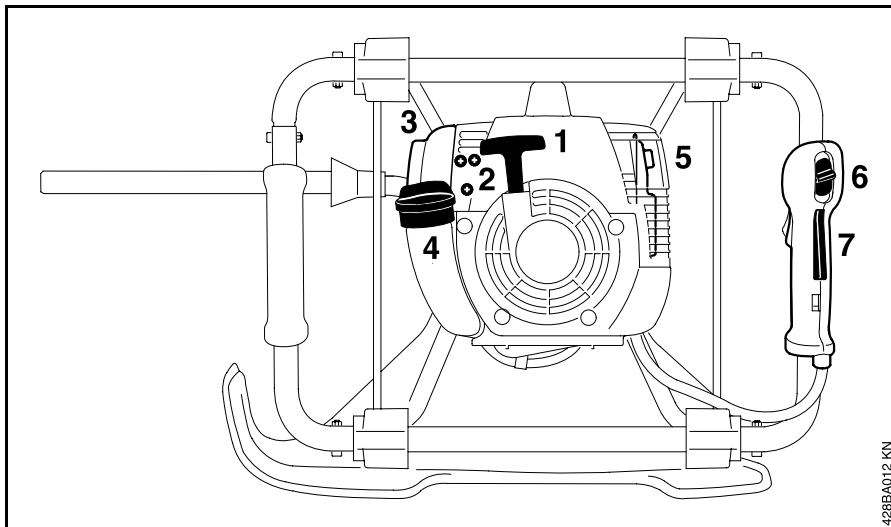
- Removing the auger.
- Drain and clean the fuel tank in a well ventilated area.
- Dispose of fuel properly in accordance with local environmental requirements.
- Run engine until carburetor is dry – this helps prevent carburetor diaphragms sticking together.
- Thoroughly clean the machine – pay special attention to the cylinder fins and air filter.
- Store the machine in a dry, high or locked location – out of the reach of children and other unauthorized persons.

## Maintenance Chart

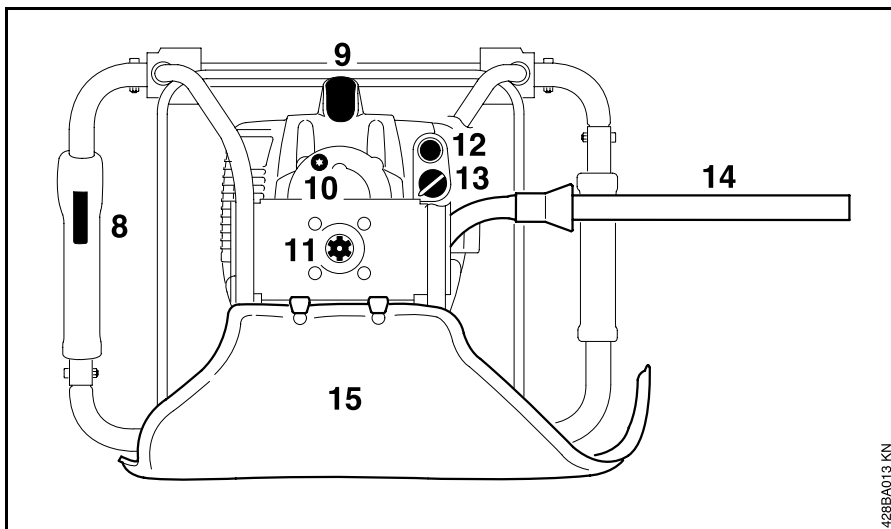
Please note that the following maintenance intervals apply for normal operating conditions. If your daily working time is longer than normal or conditions are difficult (very dusty work area, etc.), shorten the specified intervals accordingly.		before starting work	after finishing work or daily	after each refueling stop	weekly	monthly	yearly	if problem	if damaged	as required
Complete machine	Visual inspection (condition, leaks)	X		x						
	Clean		X							
Auger brake	Check operation	X		X						
	Have serviced by dealer <sup>1)</sup>									X
Control handle	Check operation	X		X						
Air filter	Clean							X		
	Replace								X	
Pickup body in fuel tank	Check							X		
	Replace						X			X
Fuel tank	Clean					X				
Carburetor	Check idle adjustment – drilling spindle must not rotate	X								
	Readjust idle									X
Spark plug	Readjust electrode gap							X		
	Replace after 100 hours of operation									
Spark arresting screen in muffler	Have checked by STIHL dealer							X		
All accessible screws and nuts (not adjusting screws)	Retighten									
Antivibration elements	Check	X						X		X
	Have replaced by dealer <sup>1)</sup>								X	
Gearbox	Re-lubricate									X
Drilling spindle	Clean		X							
Auger	Inspect	X								
	Replace									X
Safety labels	Replace								x	

<sup>1)</sup> STIHL recommends the STIHL servicing dealer

## Main Parts and Controls



- 1 Starter grip
- 2 Carburetor adjusting screws
- 3 Air filter cover
- 4 Fuel tank filler cap
- 5 Muffler (with spark arresting screen)
- 6 Slide control
- 7 Throttle trigger interlock



- 8 Throttle trigger
- 9 Spark plug boot
- 10 Screw plug
- 11 Drilling spindle
- 12 Fuel pump
- 13 Choke knob
- 14 Auger brake lever
- 15 Padding

## Specifications

### Definitions

1. **Starter Grip**  
The grip of the pull starter, which is the device to start the engine.
2. **Carburetor Adjusting Screws**  
For tuning the carburetor.
3. **Air Filter Cover**  
Encloses and protects the air filter.
4. **Fuel Filler Cap**  
For closing the fuel tank.
5. **Muffler (with spark arresting screen)**  
Reduces exhaust noises and diverts exhaust gases away from operator.
6. **Slide Control**  
For starting throttle, run and stop. Keeps the throttle partially open during starting, switches the engine's ignition off to stop the engine.
7. **Throttle Trigger Interlock**  
Must be depressed before the throttle trigger can be activated.
8. **Throttle Trigger**  
Controls the speed of the engine.
9. **Spark Plug Boot**  
Connects the spark plug to the ignition lead.
10. **Screw Plug**  
Seals filler opening for gearbox grease.
11. **Drilling spindle**  
For attaching the chuck or adapter to the power drill.
12. **Fuel Pump**  
Provides additional fuel feed for a cold start.
13. **Choke Knob**  
Operates choke to enrich the mixture for easier engine starts.
14. **Auger Brake Activating Lever**  
Lever for engaging and disengaging the auger brake.
15. **Padding**  
Helps cushion thigh against handle frame.

### EPA / CEPA:

The Emission Compliance Period referred to on the Emissions Compliance Label indicates the number of operating hours for which the engine has been shown to meet Federal emission requirements.

Category:

A = 300 hours,  
B = 125 hours,  
C = 50 hours

### CARB:

The Emission Compliance Period used on the CARB Air Index Label indicates the terms:

Extended = 300 hours,  
Intermediate = 125 hours,  
Moderate = 50 hours

### Engine

STIHL single cylinder two-stroke engine

Displacement: 1.88 cu.in  
(30.8 cm<sup>3</sup>)

Bore: 1.38 in  
(35 mm)

Stroke: 1.26 in  
(32 mm)

Engine power  
to ISO 8893 1.8 bhp  
(1.3 KW)

Max. engine speed  
without auger 12,300 rpm

Idle speed 2,800 rpm

## Ignition System

### Type

Electronic magneto ignition with electronic speed governor

### Spark plug (resistor type)

Bosch WSR 6 F, NGK BPMPR 7 A or Champion RCJ 6 Y (not for all markets)

### Electrode gap

0.02 in (0.5 mm)

### Spark plug thread

M 14 x 1.25; 0.37 in (9.5 mm) long

## Fuel System

### Carburetor

All position diaphragm carburetor with integral fuel pump

### Air filter

Paper filter element

### Fuel tank capacity

1.35 US pt (0.64 l)

## Drilling Gear

### Type

Two-stage spur gear drive

### Gear ratio

47.5 : 1

### Max. spindle speed

190 rpm

### Max. torque at drilling spindle

79 Nm

### Lubrication

STIHL gear lubricant for brushcutters

## Weight

### without drilling tool (auger)

20.7 lb (9.4 kg)

## Dimensions

### Length of machine

approx. 15.7 in (400 mm)

### Width of handle frame

approx. 20.9 in (530 mm)

### Height without drilling tool (auger)

approx. 13.4 in (340 mm)

## Rewind Starter

Starter rope: 0.11 in (3.0 mm) diameter, 33.5 in (850 mm) long

## Drilling Tools (Augers)

### Earth augers

1.6, 2.4, 3.5, 4.7, 5.9, 7.9 in diameter (40, 60, 90, 120, 150, 200 mm), 27.4 in (695 mm) long

### Planting hole auger

10.2 in (260 mm)

### Planting auger

6 in (150 mm) diameter, 20.6 in (525 mm) long

## Special Accessories

### Shaft extension

17.7 in (450 mm) long


### Chuck

For drill diameters from 5/64" to 1/2" (2 to 13 mm)

## Maintenance and Repairs

Users of this unit should carry out only the maintenance operations described in this manual. Other repair work may be performed only by authorized STIHL service shops.

Warranty claims following repairs can be accepted only if the repair has been performed by an authorized STIHL servicing dealer using original STIHL replacement parts.

Original STIHL parts can be identified by the STIHL part number, the **STIHL** logo and, in some cases, by the STIHL parts symbol . This symbol may appear alone on small parts.

## **Not for California: STIHL Incorporated Federal Emission Control Warranty Statement**

### **Your Warranty Rights and Obligations**

The U.S. Environmental Protection Agency (EPA) and STIHL Incorporated are pleased to explain the Emission Control System Warranty on your equipment type engine. In the U.S. new 1997 and later model year small off-road equipment engines must be designed, built and equipped, at the time of sale, to meet the U.S. EPA regulations for small non road engines. The equipment engine must be free from defects in materials and workmanship which cause it to fail to conform with U.S. EPA standards for the first two years of engine use from the date of sale to the ultimate purchaser.

STIHL Incorporated must warrant the emission control system on your small off-road engine for the period of time listed below provided there has been no abuse, neglect or improper maintenance of your small off-road equipment engine.

Your emission control system includes parts such as the carburetor and the ignition system. Also included may be hoses, and connectors and other emission related assemblies.

Where a warrantable condition exists, STIHL Incorporated will repair your small off-road equipment engine at no cost to you, including diagnosis (if the diagnostic work is performed at an authorized dealer), parts, and labor.

### **Manufacturer's Warranty Coverage:**

In the U.S., 1997 and later model year small off-road equipment engines are warranted for two years. If any emission-related part on your engine is defective, the part will be repaired or replaced by STIHL Incorporated free of charge.

### **Owner's Warranty Responsibilities:**

As the small off-road equipment engine owner, you are responsible for the performance of the required maintenance listed in your owner's manual. STIHL Incorporated recommends that you retain all receipts covering maintenance on your small off-road equipment engine, but STIHL Incorporated cannot deny warranty solely for the lack of receipts or for your failure to ensure the performance of all scheduled maintenance.

Any replacement part or service that is equivalent in performance and durability may be used in non-warranty maintenance or repairs, and shall not reduce the warranty obligations of the engine manufacturer.

As the small off-road equipment engine owner, you should be aware, however, that STIHL Incorporated may deny you warranty coverage if your small off-road equipment engine or a part has failed due to abuse, neglect, improper maintenance or unapproved modifications.

You are responsible for presenting your small off-road equipment engine to a STIHL service center as soon as a problem exists. The warranty repairs will be completed in a reasonable amount of time, not to exceed 30 days.

If you have any questions regarding your warranty rights and responsibilities, please contact a STIHL customer service representative at 1-800-467-8445 or you can write to

STIHL Inc.,  
536 Viking Drive, P.O. Box 2015,  
Virginia Beach, VA 23450-2015.

### **Coverage by STIHL Incorporated**

STIHL Incorporated warrants to the ultimate purchaser and each subsequent purchaser that your small off-road equipment engine will be designed, built and equipped, at the time of sale, to meet all applicable regulations. STIHL Incorporated also warrants to the initial purchaser and each subsequent purchaser that your engine is free from defects in materials and workmanship which cause the engine to fail to conform with applicable regulations for a period of two years.

### **Warranty Period**

The warranty period will begin on the date the utility equipment engine is purchased by the initial purchaser and you have signed and sent back the warranty card to STIHL.



If any emission related part on your engine is defective, the part will be replaced by STIHL Incorporated at no cost to the owner. Any warranted part which is not scheduled for replacement as required maintenance, or which is scheduled only for regular inspection to the effect of "repair or replace as necessary" will be warranted for the warranty period. Any warranted part which is scheduled for replacement as required maintenance will be warranted for the period of time up to the first scheduled replacement point for that part.

### Diagnosis

You, as the owner, shall not be charged for diagnostic labor which leads to the determination that a warranted part is defective. However, if you claim warranty for a component and the machine is tested as non-defective, STIHL Incorporated will charge you for the cost of the emission test. Mechanical diagnostic work will be performed at an authorized STIHL servicing dealer. Emission test may be performed either at STIHL Incorporated or at any independent test laboratory.

### Warranty Work

STIHL Incorporated shall remedy warranty defects at any authorized STIHL servicing dealer or warranty station. Any such work shall be free of charge to the owner if it is determined that a warranted part is defective.

Any manufacturer-approved or equivalent replacement part may be used for any warranty maintenance or repairs on emission-related parts and must be provided without charge to the owner. STIHL Incorporated is liable for damages to other engine components caused by the failure of a warranted part still under warranty.

The following list specifically defines the emission-related warranted parts:

Carburetor  
Choke (Cold start enrichment system)  
Intake manifold  
Air filter  
Spark plug  
Magneto or electronic ignition system (ignition module)  
Catalytic converter (if applicable)  
Fasteners

### Where to make a claim for Warranty Service

Bring the product to any authorized STIHL servicing dealer and present the signed warranty card.

### Maintenance Requirements

The maintenance instructions in this manual are based on the application of the recommended 2-stroke fuel-oil mixture (see also instruction "Fuel"). Deviations from this recommendation regarding quality and mixing ratio of fuel and oil may require shorter maintenance intervals.

### Limitations

This Emission Control Systems Warranty shall not cover any of the following:

- repair or replacement required because of misuse, neglect or lack of required maintenance,
- repairs improperly performed or replacements not conforming to STIHL Incorporated specifications that adversely affect performance and/or durability, and alterations or modifications not recommended or approved in writing by STIHL Incorporated,

and

- replacement of parts and other services and adjustments necessary for required maintenance at and after the first scheduled replacement point.

## Contenido

Guía para el uso de este manual ...	34
Medidas de seguridad y técnicas de manejo .....	35
Armado de la máquina .....	43
Ajuste del cable del acelerador .....	43
Combustible .....	44
Llenado de combustible .....	45
Freno de barrena .....	46
Instalación de la barrena .....	47
Arranque / parada del motor .....	47
Instrucciones de manejo .....	50
Liberación de una barrena atascada .....	51
Limpieza del filtro de aire .....	51
Manejo del motor .....	51
Ajuste del carburador .....	52
Revisión de la bujía .....	53
Funcionamiento del motor .....	54
Lubricación de la caja de engranajes .....	54
Sustitución de la cuerda de arranque y resorte de rebobinado ..	55
Almacenamiento de la máquina .....	57
Tabla de mantenimiento .....	58
Controles y piezas principales .....	59
Especificaciones .....	60
Mantenimiento y reparaciones .....	62
Declaración de garantía de STIHL Incorporated sobre sistemas de control de emisiones según normas Federales .....	63

Permita que solamente las personas que comprenden la materia tratada en este manual manejen su motoperforadora.

Para obtener el rendimiento y satisfacción máximos de la motoperforadora STIHL, es importante leer y comprender las instrucciones de mantenimiento y las precauciones de seguridad, que empiezan en la página 35, antes de usar la motoperforadora.

Comuníquese con el concesionario o distribuidor de STIHL si no se entiende alguna de las instrucciones dadas en el presente manual.

### Advertencia

Dado que la motoperforadora es una herramienta de alto par motor accionada por un motor de gasolina, es necesario tomar medidas especiales de seguridad para reducir el riesgo de lesiones personales.

El uso descuidado o inadecuado puede causar lesiones graves e incluso mortales.

# STIHL®

## Guía para el uso de este manual

### Pictogramas

Todos los pictogramas que se encuentran en la máquina se muestran y explican en este manual.

Las instrucciones de uso y manipulación vienen acompañadas de ilustraciones.

### Símbolos en el texto

Los pasos individuales o procedimientos descritos en el manual pueden estar señalados en diferentes maneras:

- Un punto identifica un paso o procedimiento sin referencia directa a una ilustración.


Una descripción de un paso o procedimiento que se refiere directamente a una ilustración puede tener números de referencia que aparecen en la ilustración.


Ejemplo:


Suelte el tornillo (1)


Palanca (2) ...

Además de las instrucciones de uso, en este manual pueden encontrarse párrafos a los que usted debe prestar atención especial. Tales párrafos están marcados con los símbolos que se describen a continuación.

 Advertencia donde existe el riesgo de un accidente o lesiones personales o daños graves a la propiedad.

 Precaución donde existe el riesgo de dañar la máquina o los componentes individuales.

 Nota o sugerencia que no es esencial para el uso de la máquina, pero puede ayudar al operador a comprender mejor la situación y mejorar su manera de manejar la máquina.

 Nota o sugerencia sobre el procedimiento correcto con el fin de evitar dañar el medio ambiente.

### \* Equipo y características

Este manual de instrucciones puede describir varios modelos con diferentes características. Los componentes que no se encuentran instalados en todos los modelos y las aplicaciones correspondientes están marcados con un asterisco (\*). Esos componentes pueden ser ofrecidos como accesorios especiales por el concesionario STIHL.

### Mejoramientos técnicos

La filosofía de STIHL es mejorar continuamente todos sus productos. Como resultado de ello, periódicamente se introducen cambios de diseño y mejoras. Si las características de funcionamiento o la apariencia de su máquina difieren de las descritas en este manual, comuníquese con el concesionario STIHL para obtener la ayuda que requiera.

Por lo tanto, es posible que algunos cambios, modificaciones y mejoramientos no hayan sido descritos en este manual.

## Medidas de seguridad y técnicas de manejo

### Advertencia !



Dado que la motoperforadora es una herramienta con motor de gasolina que funciona con un par motor elevado, es necesario tomar medidas especiales de seguridad para reducir el riesgo de lesiones.



Es importante que usted lea, comprenda bien y respete las siguientes advertencias y medidas de seguridad. Lea y comprenda el manual del propietario y las instrucciones de seguridad. El uso descuidado o inadecuado de cualquier motoperforadora puede causar lesiones graves e incluso mortales.

### ! Advertencia !

No preste ni alquile nunca su motoperforadora sin entregar el manual del propietario. Asegúrese que todas las personas que utilicen la motoperforadora lean y comprendan la información contenida en este manual.

Pida a su concesionario STIHL que le enseñe el manejo de la motoperforadora. Respete todas las disposiciones, reglamentos y normas de seguridad locales del caso.

### ¡Peligro!



Si se taladran o se tocan alambres eléctricos, se pueden sufrir sacudidas eléctricas severas, quemaduras, o la muerte. Vea "Condiciones de trabajo", más adelante.

### ! Advertencia !

Si se choca contra un objeto duro bajo tierra con la barrena giratoria, la reducción de velocidad o parada repentina de la barrena causará fuerzas reactivas. La transferencia de las fuerzas de rotación (reactivas) puede hacer que la cabeza motorizada y sus mangos giren repentinamente en sentido contrario, posiblemente causando la pérdida del control, o haciendo que el bastidor de mango golpee al operador o lo lance al suelo, causando lesiones graves.

### ! Advertencia !

Nunca permita a los niños que usen una motoperforadora. No se debe permitir la proximidad de otros, especialmente niños y animales, donde se esté utilizando la motoperforadora. Nunca deje la motoperforadora funcionando sin vigilancia.

Vea la sección correspondiente de su manual del usuario para tener una descripción de los controles y la función de cada componente de su modelo de motoperforadora.

Las medidas de seguridad y avisos contenidos en este manual se refieren al uso de todas las motoperforadoras de STIHL. Los distintos modelos pueden contar con piezas y controles diferentes. Vea la sección correspondiente de su manual del propietario para tener una descripción de los controles y la función de cada componente de su modelo de motoperforadora.

El uso seguro de una motoperforadora atañe a

1. el operador
2. la motoperforadora
3. el uso de la motoperforadora.

## EL OPERADOR

### Condición física

Usted debe estar en buenas condiciones físicas y psíquicas y no encontrarse bajo la influencia de ninguna sustancia (drogas, alcohol, etc.) que le pueda restar visibilidad, destreza o juicio.) No maneje una herramienta motorizada cuando está fatigado. No maneje la motoperforadora cuando está fatigado. Esté alerta. Si se cansa durante el manejo de su motoperforadora, tómese un descanso. El cansancio puede provocar una pérdida del control.

El uso de cualquier motoperforadora es fatigoso. Si usted padece de alguna dolencia que pueda ser agravada por la fatiga, consulte a su médico antes de utilizar la motoperforadora.

### **Advertencia !**

El uso prolongado de motoperforadoras (u otras máquinas) expone al operador a vibraciones que pueden provocar el fenómeno de Raynaud (dedos blancos) o el síndrome del túnel del carpio. Estas condiciones reducen la capacidad de las manos de sentir y regular la temperatura, producen entumecimiento y ardor y pueden provocar trastornos nerviosos y circulatorios, así como necrosis de los tejidos.

No se conocen todos los factores que contribuyen a la enfermedad de Raynaud, pero el clima frío, el fumar y las enfermedades o condiciones físicas que afectan los vasos sanguíneos y la circulación de la sangre, como asimismo los niveles altos de vibración y períodos prolongados de exposición a la vibración son mencionados como factores en el desarrollo de la enfermedad de Raynaud. Por lo tanto, para reducir el riesgo de la enfermedad de dedos blancos y del síndrome del túnel del carpio, sírvase notar lo siguiente:

- Use guantes y mantenga las manos abrigadas.
- Agarre firmemente los mangos en todo momento, pero no los apriete con fuerza constante y excesiva.
- Tómese descansos frecuentes.

Todas las precauciones antes mencionadas no le garantizan que va a estar totalmente protegido contra la enfermedad de Raynaud o el síndrome del túnel del carpio. Por lo tanto, los operadores constantes y regulares deben controlar con frecuencia el estado de sus manos y dedos. Si aparece alguno de los síntomas arriba mencionados, consulte inmediatamente al médico.

### **Advertencia !**

El sistema de encendido de la máquina produce un campo electromagnético de intensidad muy baja. El mismo puede interferir con algunos tipos de marcapasos. Para reducir el riesgo de lesiones graves o mortales, las personas portadoras de marcapasos deben consultar a sus médicos y al fabricante del marcapasos antes de usar esta máquina.

## **Vestimenta adecuada**

### **Advertencia !**

Para reducir el riesgo de lesiones el operador debe usar el equipo protector adecuado.



La ropa debe ser de confección fuerte y ajustada, pero no tanto que impida la completa libertad de movimiento. Evite el uso de chaquetas sueltas,

pantalones anchos o con vuelta o cualquier cosa que pudiera enredarse en la herramienta perforadora. Use monos o pantalones largos para protegerse las piernas. Sujétese el pelo de modo que quede sobre los hombros. No vista pantalones cortos. Usar guantes para manejar la motoperforadora.



Para reducir el riesgo de sufrir una caída como resultado de las fuerzas creadas por la motoperforadora, es sumamente importante tener buen

apoyo para los pies. Póngase zapatos resistentes con suela antideslizante. Recomendamos las botas de seguridad con puntera de acero.

**⚠ Advertencia !**

Los objetos arrojados o lanzados pueden rebotar y golpear al operador.



Por lo tanto, para reducir el riesgo de lesionarse los ojos, nunca maneje la motoperforadora si no tiene puestas gafas o anteojos de seguridad

bien ajustados con una protección adecuada en las partes superior y laterales que satisfagan la norma ANSI Z 87.1 (o la norma nacional correspondiente).

**⚠ Advertencia !**

Utilice un casco de seguridad aprobado para protegerse la cabeza en caso de existir tal tipo de peligro.

**⚠ Advertencia !**

El ruido de la motoperforadora puede dañar los oídos. Siempre use amortiguadores del ruido (tapones u orejeras) para protegerse

los oídos. Los usuarios constantes y regulares deben someterse con frecuencia a un examen o control auditivo.

**LA MOTOPERFORADORA**

Para las ilustraciones y definiciones de los componentes de la motoperforadora, vea el capítulo "Piezas y controles".

Nunca modifique, de ninguna manera, la motoperforadora. Utilice únicamente los accesorios suministrados por STIHL o expresamente autorizados por STIHL para usarse con los modelos específicos de motoperforadoras de STIHL. Si se usan otras herramientas perforadoras, se puede aumentar el riesgo de lesionarse.

Es posible instalar otras herramientas o adaptadores en la motoperforadora, pero, al hacerlo, puede aumentar el riesgo de lesiones o la muerte.

**EL USO DE LA MOTOPERFORADORA****Transporte de la motoperforadora****⚠ Advertencia !**

Antes de apoyar la motoperforadora en el suelo o de acarrearla, apague el motor. Acarrear la motoperforadora con el motor funcionando es extremadamente peligroso.

La aceleración accidental del motor puede causar la rotación de la herramienta perforadora. Durante el funcionamiento, el silenciador del motor y el material que lo rodea se calientan a temperaturas sumamente altas. Evite colocar una máquina caliente en material seco e inflamable y evite tocar el silenciador caliente; puede sufrir quemaduras graves.

**Por mano:** Lleve la motoperforadora con la herramienta perforadora orientada hacia abajo – con el silenciador caliente alejado de su cuerpo.

**Transporte por vehículo:** Cuando transporte la herramienta en un vehículo, sujétela firmemente para impedir su vuelco, el derrame de combustible y daños.

Cuando la herramienta no esté en uso, apáguela y colóquela en el suelo, de modo que no represente un peligro para los demás.

**⚠ Advertencia !**

Su motoperforadora emite gases de escape tóxicos apenas el motor de combustión empieza a funcionar. Estos gases (por ej., monóxido de carbono)

pueden ser incoloros e inodoros. Para reducir el riesgo de sufrir lesiones graves o mortales por respirar gases tóxicos, nunca haga funcionar la motoperforadora puertas adentro o en lugares mal ventilados. Asegúrese de tener ventilación adecuada cuando trabaje en zanjas u otros lugares confinados.

**⚠ Advertencia !**

El uso de este producto puede generar polvo y vapores que contienen productos químicos considerados como causantes de enfermedades respiratorias, cáncer, defectos de nacimiento u otra toxicidad reproductora. Si usted desconoce los riesgos asociados con el polvo o vapor en cuestión, consulte con su empleador, autoridades gubernamentales tales como OSHA y NIOSH y otras fuentes de información sobre materiales peligrosos. Por ejemplo, el estado de California y algunas otras autoridades han publicado varias listas de sustancias carcinógenas, de toxicidad reproductora, etc.

Siempre que sea posible, controle el polvo y los vapores en su punto de origen. Al respecto, emplee buenas prácticas de trabajo y siga las recomendaciones de OSHA/NIOSH y asociaciones laborales y comerciales. Cuando sea imposible eliminar la inhalación del polvo o vapores tóxicos, el operador y las personas que se encuentren en la cercanía siempre deberán usar un respirador aprobado por NIOSH/MSHA para el tipo de polvo y/o vapores presentes en el lugar.

La motoperforadora STIHL utiliza una mezcla de aceite y gasolina como combustible (vea el capítulo "Combustible" en el manual del propietario).

**⚠ Advertencia !**



La gasolina es un combustible muy inflamable. Tenga sumo cuidado cuando manipule gasolina o la mezcla de combustible. No fume cerca del combustible, ni acerque ningún fuego o llama al mismo.

**Instrucciones para el llenado de combustible**

**⚠ Advertencia !**

Cargue de combustible su motoperforadora en lugares al aire libre bien ventilados. Siempre apague el motor y deje que se enfríe antes de llenar de combustible. Dependiendo del combustible utilizado, de las condiciones climáticas y del sistema de ventilación del tanque, es posible que se forme vapor de gasolina a presión dentro del tanque de gasolina de los motores.

Para reducir el riesgo de quemaduras, así como otras lesiones corporales ocasionadas por los escapes de vapor de gasolina y otras emanaciones, quite la tapa de llenado de combustible de la motoperforadora cuidadosamente de modo que la presión que se pueda haber acumulado en el tanque se disipe lentamente. Nunca quite la tapa de llenado de combustible mientras el motor está funcionando.

Elija una superficie despejada para llenar el tanque y aléjese 3 m (10 pies) por lo menos del lugar en que lo haya llenado antes de arrancar el motor. Limpie los derrames de combustible antes de arrancar la motoperforadora y compruebe que no existen fugas.

**⚠ Advertencia !**

Compruebe que no existen fugas de combustible mientras llena el tanque y durante el funcionamiento de la máquina. Si detecta alguna fuga de combustible o aceite, no arranque el motor ni lo haga funcionar sin antes reparar la fuga y limpiar el combustible derramado. Tenga cuidado de no mancharse la ropa con combustible. Si la mancha, cámbiesela inmediatamente.

**! Advertencia !**

Las vibraciones de la máquina pueden aflojar una tapa de combustible que ha quedado mal apretada, o simplemente soltarla y derramar combustible. Para reducir el riesgo de derrames e incendio, apriete la tapa de llenado de combustible a mano con la mayor fuerza posible.

**Manejo de la motoperforadora**

La motoperforadora debe ser manejada por una sola persona.

Para reducir el riesgo de sufrir lesiones a causa de las fuerzas reactivas, el operador debe sujetar la máquina firmemente y debe tener buen apoyo para los pies antes de ajustar el acelerador para arrancar la motoperforadora.

**Preparación para el uso de la motoperforadora**

Siempre se debe revisar la motoperforadora para comprobar que está en buenas condiciones y que funcionará correctamente antes de arrancarlo. Preste atención especial al gatillo de aceleración, al bloqueo del gatillo, al interruptor de parada, a la herramienta perforadora y al freno de barrena y el funcionamiento correcto de los mismos.

**! Advertencia !**

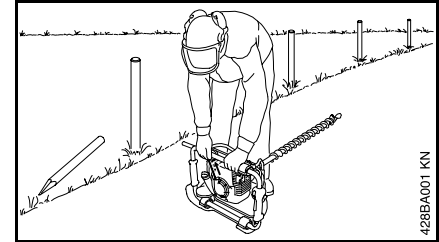
Para reducir el riesgo de lesionarse con la herramienta perforadora en movimiento o por las fuerzas reactivas, el gatillo de aceleración debe moverse libremente y retornar de inmediato a la posición de ralenti al soltarlo. El mantenimiento periódico es importante en cuanto a esto. Revise la condición y el apriete de la herramienta perforadora.

**Freno de barrena**

Su motoperforadora tiene un freno de barrena que tiene por objeto reducir el riesgo de lesiones causadas por fuerzas reactivas parando la rotación de la barrena/unidad motriz cuando se aplica la palanca del freno. También debe usarse durante el arranque y cuando se libera una barrena atascada. Para información acerca de la aplicación del freno, vea el capítulo "Freno de barrena".

**! Advertencia !**

No maneje nunca una motoperforadora que está dañada, mal ajustada o que no fue armada debidamente. Se podrían causar lesiones.

**Arranque**

Para las instrucciones específicas de arranque, vea la sección correspondiente en el manual del usuario.

**! Advertencia !**

El operador debe arrancar la motoperforadora únicamente cuando lo está sosteniendo firmemente.

Para arrancar la motoperforadora, colóquela sobre suelo firme y limpio u otra superficie sólida en un lugar abierto. Mantenga el equilibrio y elija un buen punto de apoyo para los pies.



**⚠ Advertencia !**

Para reducir el riesgo de la pérdida de control de la máquina, asegúrese que el freno de barrena está aplicado antes de arrancar la motoperforadora. Debido a que la velocidad alcanzada por el motor durante el arranque es suficiente para que el embrague impulse la herramienta perforadora, la herramienta girará a menos que se aplique el freno de barrena.

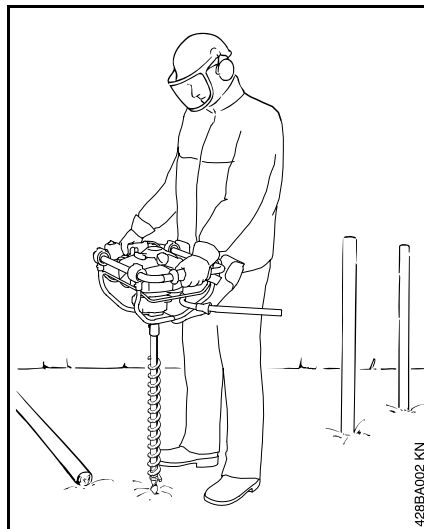
**⚠ Advertencia !**

Cuando tire del mango de arranque, no enrolle la cuerda de arranque alrededor de la mano. No deje que el mango vuelva por sí solo a su posición original, sino guíe lentamente la cuerda con la mano para que se enrolle correctamente. Si no ejecuta este procedimiento puede lastimarse la mano o los dedos y también dañar el mecanismo de arranque.

**Ajustes importantes**

**⚠ Advertencia !**

Cuando el ralentí está correctamente regulado, la herramienta perforadora no debe girar. Para instrucciones cómo ajustar el ralentí, vea la sección correspondiente en el manual del propietario. Para reducir el riesgo de lesionarse con la herramienta perforadora en movimiento, no use una motoperforadora cuya velocidad de ralentí esté mal ajustada.



Si no puede regular correctamente el ralentí, pida a su concesionario STIHL que revise la motoperforadora y haga los ajustes o reparaciones correspondientes.

**Condiciones de trabajo**



Si se choca con algún objeto duro bajo tierra, tal como piedra o grava, esto puede hacer que la herramienta perforadora reduzca su velocidad o se detenga repentinamente. En una situación semejante, la fuerza rotacional (reactiva) se transfiere total o parcialmente a la unidad motriz y al bastidor de mango de la motoperforadora, lo cual puede hacer que la unidad motriz y los mangos giren súbitamente en sentido contrario.

**⚠ Advertencia !**

Trabaje con cuidado en suelo rocoso, o si hay otros objetos sólidos presentes. Mantenga la presión de alimentación a un mínimo. Si se percibe o escucha que la herramienta perforadora ha chocado con un objeto sólido, suelte el gatillo de inmediato y quite el objeto antes de continuar perforando. Al perforar en suelo arcilloso pesado, taladre aproximadamente 1/3 de la profundidad deseada y extraiga la barrena del agujero. Limpie la barrena y continúe avanzando lentamente y limpiándola frecuentemente.

**⚠ Advertencia !**

Sujete la motoperforadora con firmeza para controlar los saltos repentinos y las fuerzas reactivas. Esté preparado para soltar el gatillo si las fuerzas resultan ser demasiado grandes. Si no se controlan las fuerzas reactivas, la rotación de los mangos puede causar saltos fuertes y la pérdida de control, y puede hacer que el bastidor de mango le golpee o le lance al suelo. Su modelo de motoperforadora viene equipado con un freno de barrena. Si la barrena choca contra un objeto imposible de penetrar y la unidad motriz comience a girar, la palanca accionadora del freno de barrena choca el muslo del operador y aplica el freno para detener la rotación de la unidad motriz.

**⚠ Advertencia !**

Para reducir el riesgo de sufrir lesiones graves o mortales causadas por fuerzas reactivas, nunca haga funcionar la motoperforadora puertas adentro sin tener un freno de barrena en buenas condiciones.

Si la barrena se atasca en el agujero perforado, apague el motor de inmediato y extráigala según se describe en el capítulo "Retiro de una barrena atasca".

**⚠ Advertencia !**

Maneje y arranque su motoperforadora exclusivamente al aire libre y en un lugar bien ventilado. Maneje la motoperforadora solamente cuando tenga buena visibilidad y a la luz del día. Trabaje con mucho cuidado. Siempre sujete la motoperforadora firmemente con ambas manos. Envuelva los dedos firmemente en los mangos, manteniéndolos sujetos entre los dedos índice y pulgar. Mantenga las manos en esta posición, para que siempre tenga la motoperforadora bien controlada. Asegúrese que los mangos y las empuñaduras de la motoperforadora están en buenas condiciones y sin humedad, resina, aceite o grasa.

**PELIGRO**

El contacto con cables o alambres eléctricos puede causar lesiones graves o mortales como resultado de las sacudidas eléctricas. Esta máquina no está aislada.

**⚠ Advertencia !**

Para reducir el riesgo de sacudidas eléctricas y daños a la propiedad, siempre esté atento a la presencia de tubos y cables subterráneos y de alambres de tendido eléctrico. Antes de perforar, obtenga los planos y permisos del caso. Para mayor información en cuanto a la ubicación de cables y tuberías, comuníquese con la empresa de servicios públicos local o con un servicio de localización de líneas y tuberías. De ser necesario, confirme la ubicación real usando dispositivos tales como detectores de cables y/o excavando zanjas cuidadosamente. Manténgase alejado de los cables eléctricos suspendidos al sacar la herramienta perforadora del agujero. Si alguna parte de la máquina choca con un alambre, se causará una sacudida eléctrica o la muerte.

**⚠ Advertencia !**

Para reducir el riesgo de una caída, tenga cuidado al transportar o usar la máquina en condiciones húmedas, cuando el suelo está húmedo, helado o cubierto con nieve. Tenga cuidado especial al trabajar sobre bancos de terreno y pendientes.

## Instrucciones de manejo

### Advertencia !

Para reducir el riesgo de lesionarse, nunca toque una herramienta perforadora o árbol de perforación en movimiento con la mano ni con parte alguna del cuerpo. Este sigue girando por un rato después que se suelta el gatillo de aceleración. Siempre apague el motor antes de poner la máquina en el suelo o de acarrearla sobre una distancia grande.

Al sacar la herramienta perforadora del agujero, levante la máquina en sentido vertical, de modo que la herramienta salga directamente hacia afuera, sin atorarse con las paredes del agujero. Cubra los agujeros perforados y márquelos de modo claro para prevenir que alguno caiga en un agujero.

## Mantenimiento, reparación y almacenamiento

**Los trabajos de mantenimiento, reemplazo o reparación de los dispositivos y sistemas de control de emisiones de escape pueden ser realizados por cualquier taller o técnico de motores no diseñados para vehículos. Sin embargo, si usted está reclamando servicio de garantía para algún componente que no ha sido reparado o mantenido debidamente, o cuando se utilizan repuestos no autorizados, STIHL puede denegar la garantía.**

Utilice solamente piezas de repuesto de STIHL para el mantenimiento y reparación. La utilización de piezas fabricadas por otras empresas puede dañar la motoperforadora o causar lesiones graves. Siga las instrucciones de mantenimiento y reparación dadas en la sección correspondiente del manual del usuario.

### Advertencia

Siempre apague el motor antes de llevar a cabo trabajos de mantenimiento o reparación. No intente hacer ningún trabajo de mantenimiento o reparación que no esté descrito en su manual del propietario. Este tipo de trabajo debe realizarse únicamente en el taller de servicio de STIHL.

### Advertencia

Revise la condición del taladro en intervalos cortos regulares. Si nota algún cambio en el comportamiento de la herramienta, revise inmediatamente el apriete y busque señales de agrietamiento.

### Advertencia

Sustituya las herramientas de perforación dañadas inmediatamente, incluso si tienen sólo alguna grieta superficial. Nunca intente reparar las herramientas de perforación dañadas.

Revise si la tapa de llenado tiene fugas periódicamente. Use la bujía especificada y asegúrese de que ella y el cable de encendido están en buen estado. Mantenga apretadas y limpias tanto la bujía como la conexión de su alambre.

### Advertencia

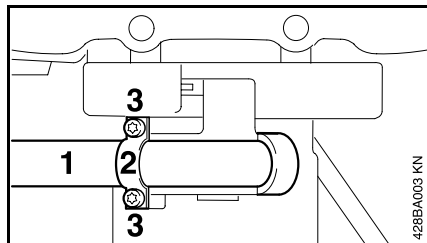
Un silenciador desgastado o dañado constituye un riesgo de incendios y puede causar la pérdida del oído. Compruebe que el silenciador se encuentra en buenas condiciones. No use la motoperforadora si el silenciador no funciona correctamente o si ha sido retirado. No toque nunca un silenciador caliente, puede quemarse. Para reducir el riesgo de incendios, no modifique ni retire parte alguna del silenciador.

Apriete todas las tuercas, pernos y tornillos, excepto los tornillos de ajuste del carburador, después de cada uso.

Para todo trabajo de mantenimiento, sírvase consultar la tabla de mantenimiento **y la declaración de garantía** que se encuentra al final de este manual.

Guarde la motoperforadora en un lugar elevado o con llave lejos del alcance de los niños y vacíe el tanque de combustible si se va a guardar por más de unos cuantos días.

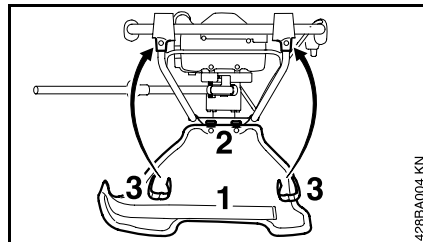
## Armado de la máquina



### Instalación de la palanca del freno de barrena

- Coloque la palanca accionadora (1) en el retén.
- Instale la abrazadera (2) en la palanca accionadora.
- Inserte los tornillos (3) y apriételos bien firmes.

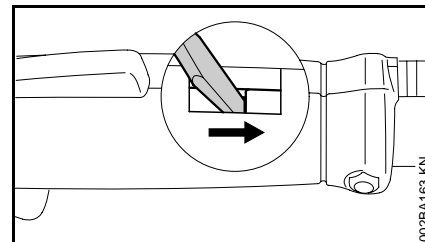
### Colocación de la almohadilla



- Fije los sujetadores (2) de la almohadilla (1) en las ranuras en la bastidor de mango.
- Gire la almohadilla hacia arriba y fíjela al manillar con las tiras de gancho y trabilla (3).

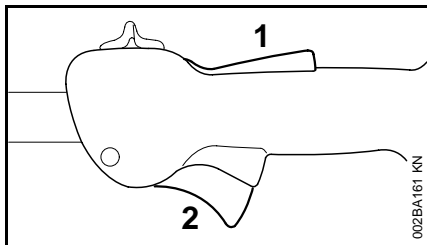
## Ajuste del cable del acelerador

- 💡 Un cable del acelerador correctamente ajustado es necesario para el funcionamiento correcto en las posiciones de máxima aceleración, arranque y ralenti.



- Utilice una herramienta adecuada para empujar la pieza deslizante hasta la parte inferior de la ranura (vea la ilustración).

## Combustible



- Oprima el bloqueo (1) y oprima el gatillo de aceleración (2) (aceleración máxima) – esto ajusta el cable del acelerador correctamente.

Este motor está certificado para funcionar con una mezcla de 50 a 1 de gasolina sin plomo y aceite STIHL para motores de dos tiempos.

Su motor requiere una mezcla de gasolina de calidad y aceite de calidad para motores de dos tiempos enfriados por aire.

Use gasolina sin plomo regular con un octanaje mínimo de 89 (R+M/2). Si el octanaje de la gasolina regular en su zona es más bajo, use combustible sin plomo superior.

El combustible de octanaje bajo puede aumentar la temperatura de funcionamiento del motor. Esto, a su vez, aumenta el riesgo de que se agarrote el pistón y se dañe el motor.

La composición química del combustible también es importante. Algunos aditivos de combustible no solamente tienen efectos perjudiciales en los elastómeros (diafragmas de carburador, sellos de aceite, tuberías de combustible, etc.), sino también en las piezas fundidas de magnesio y en los convertidores catalíticos. Esto podría causar problemas de funcionamiento e incluso daño del motor. Por esta razón, STIHL recomienda el uso exclusivo de gasolina sin plomo de buena calidad.

Use solamente el aceite STIHL para motores de dos tiempos o un aceite de marca equivalente para motores de dos tiempos diseñado para usar exclusivamente con los motores de dos tiempos enfriados por aire.

Recomendamos el aceite STIHL para motores de dos tiempos 50:1 pues está especialmente formulado para usarse en motores STIHL.

No use aceites para mezclar con designaciones BIA o TCW (para motores de dos tiempos enfriados por agua) ni otros aceites para mezclar diseñados para usar en motores enfriados por agua o por aire (por ejemplo, para motores marinos fuera de borda, motonieves, sierras de cadenas, bicimotos, etc.).

Manipule la gasolina con sumo cuidado. Evite el contacto directo con la piel y evite inhalar los vapores de combustible. Cuando se reabastece de combustible, quite primero el envase del vehículo y colóquelo en el suelo antes de llenarlo. No llene un envase que está en un vehículo o apoyado sobre el mismo.

Mantenga el envase bien cerrado para evitar la entrada de humedad a la mezcla.

Según sea necesario, limpie el tanque de combustible de la máquina y el envase en que se guarda la mezcla de combustible.

## Llenado de combustible



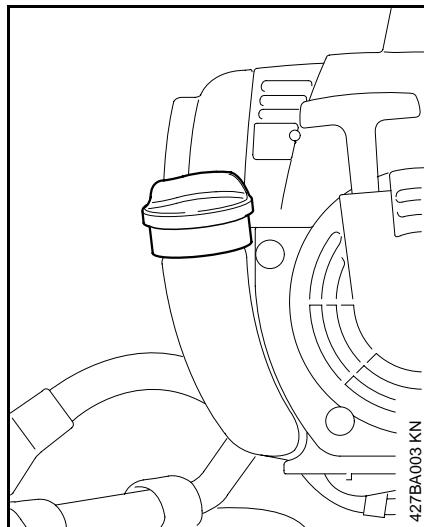
### Duración de la mezcla de combustible

Mezcle una cantidad suficiente de combustible para trabajar unos pocos días, no lo guarde por más de 3 meses. Guárdelo únicamente en envases aprobados para combustible. Para el proceso de mezclado, vierta el aceite en el envase primero y luego agregue la gasolina. Cierre el envase y agítelo vigorosamente a mano para asegurar que se mezclen bien el aceite y la gasolina.

Gasolina      Aceite (STIHL 50:1 ó aceite de calidad equivalente)

gal EE.UU.	oz fl EE.UU.
1	2.6
2 1/2	6.4
5	12.8

Deseche los envases vacíos usados para mezclar el aceite únicamente en vertederos autorizados para ello.

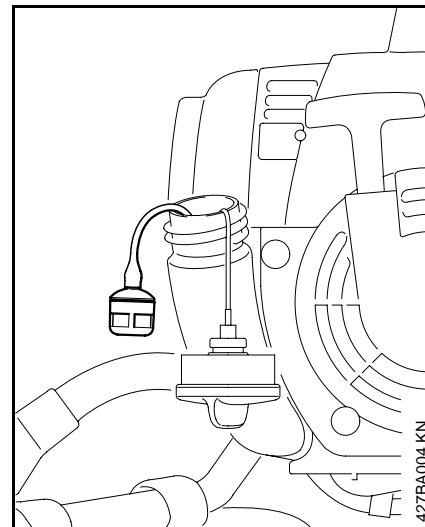


Antes de llenar la máquina con combustible, limpie a fondo la tapa de llenado y la zona alrededor del mismo para evitar la entrada de tierra al tanque.

Siempre agite la mezcla vigorosamente en el recipiente antes de llenar la máquina con combustible.

**⚠** Para reducir el riesgo de quemaduras, así como otras lesiones corporales ocasionadas por los escapes de vapor de gasolina y otras emanaciones, quite la tapa de llenado de combustible cuidadosamente de modo que la presión que se pueda haber acumulado en el tanque se disipe lentamente.

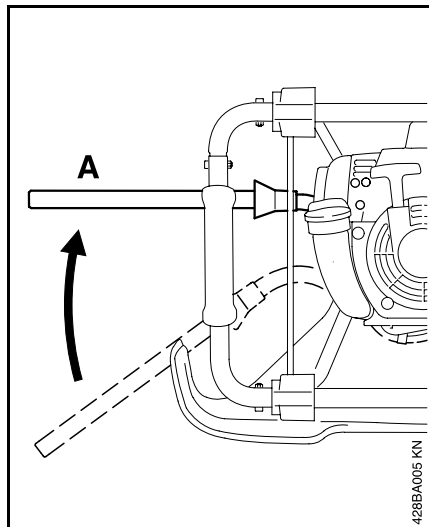
**⚠** Después de haber llenado la máquina con combustible, apriete la tapa del tanque **tan firmemente como sea posible** con la mano.



### Cambie el recogedor de combustible una vez al año.

Antes de guardar la máquina por un período prolongado, vacíe y limpie el tanque de combustible. Haga funcionar el motor hasta que el carburador se seque.

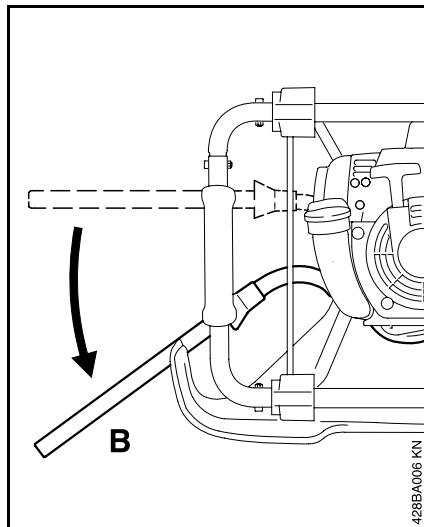
## Freno de barrena



### Aplicación de la palanca del freno de barrena

- Mueva la palanca accionadora a la posición **A** para aplicar el freno
  - al arrancar el motor
  - a la velocidad de ralentí
  - para liberar una barrena atascada

Si la barrena se atasca en un obstáculo en el agujero (tal como raíces o piedras) la motoperforadora girará en sentido contrario – la palanca accionadora toca el muslo del operador y así se aplica el freno de barrena.



### Liberación de la palanca del freno de barrena

- Mueva la palanca accionadora a la posición **B**.

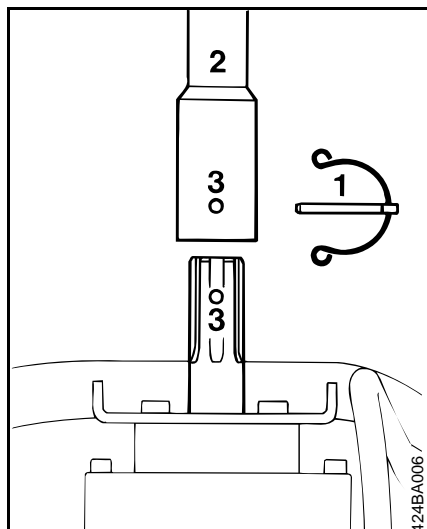
### Prueba del funcionamiento del freno de barrena

Antes de empezar a trabajar: Con el motor funcionando a la velocidad de ralentí, aplique el freno de barrena y abra el acelerador completamente durante no más de 3 segundos – la barrena no debe girar.

El freno de barrena está expuesto a desgaste normal.

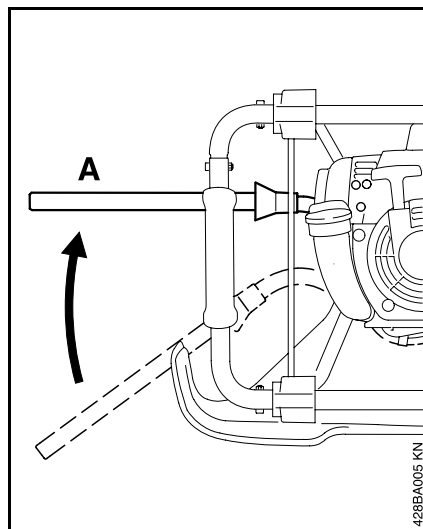
Asegúrese que el freno está funcionando correctamente antes de empezar el trabajo. Si el freno de barrena no funciona, pida a su concesionario STIHL que lo repare inmediatamente.

## Instalación de la barrena



- Apague el motor. Coloque la motoperforadora en el suelo con el árbol de perforación hacia arriba.
- Aplique el freno de barrena.
- Extraiga el pasador de retención (1) de la espiga de la barrena.
- Empuje la barrena (2) en el árbol de perforación hasta que se alineen los agujeros (3).
- Empuje el pasador de retención en el agujero.
- La pinza de resorte del pasador de retención debe quedar bien ajustada contra la espiga de la barrena.

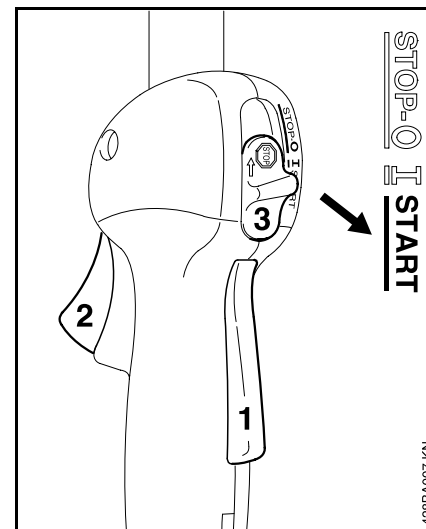
## Arranque / parada del motor



- Respete las medidas de seguridad – vea el capítulo "Medidas de seguridad".

### Aplicación del freno de barrena

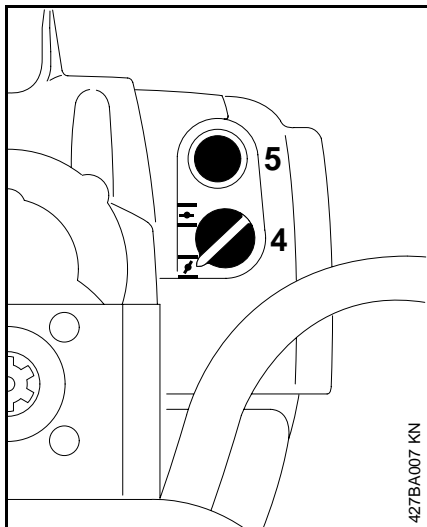
- Mueva la palanca accionadora a la posición **A**.



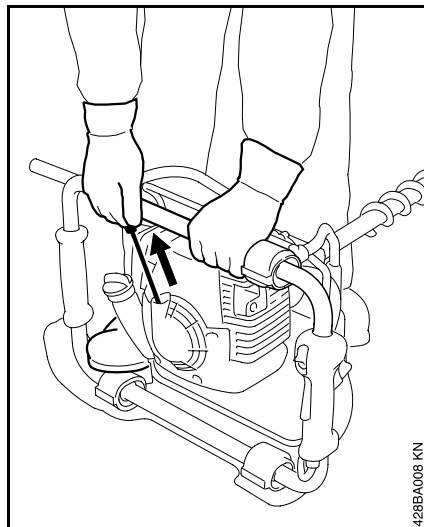
### Arranque

- Empuje la palanca de bloqueo (1) hacia abajo, oprima el gatillo de aceleración (2) y sosténgalos en esa posición.
- Mueva el control deslizante a (3) a **START** y manténgalo en esa posición.
- Ahora suelte el gatillo de aceleración, el control deslizante y el bloqueo del gatillo, en el orden indicado. Esta es la **posición de arranque del acelerador**.

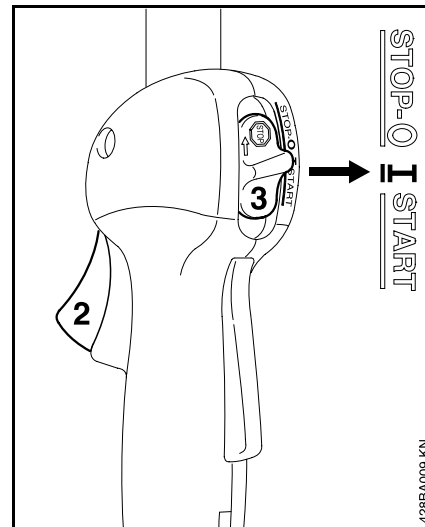




- Ajuste la perilla del estrangulador (4):  
 en si el motor está frío.  
 en si el motor está tibio.  
 (también utilice esta posición si el motor ha estado en marcha, pero todavía se encuentra frío)
- Comprima el bulbo de la bomba de combustible (5) por lo menos cinco veces.



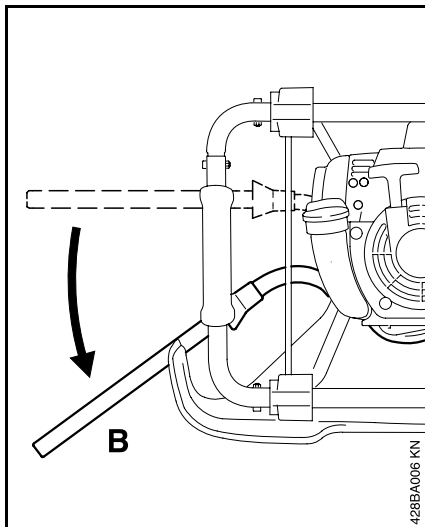
- Coloque la máquina sobre el suelo de modo que quede bien apoyada.
- Ponga el pie derecho en el mango trasero y presione hacia abajo, con la mano izquierda en el bastidor de mango.
- Con la mano derecha tire lentamente del mango de arranque hasta que sienta una resistencia definitiva y en seguida dele un tirón fuerte y rápido. No tire de la cuerda de arranque totalmente hasta afuera, se podría cortar.
- No deje que el mango de arranque retroceda bruscamente – guíelo hacia el interior de la caja de modo que la cuerda se enrolle debidamente.
- Continúe haciendo girar el motor hasta que arranque.



### Cuando el motor empieza a encenderse:

- Gire la perilla del estrangulador a y continúe intentando el arranque del motor.  
 Tan pronto arranca:
- Oprima el gatillo de aceleración momentáneamente (2) – el control deslizante (3) se desplaza a la posición de marcha I, y el motor pasa a aceleración de ralentí.

Debido a que el freno de barrena todavía está activado, el motor deberá volver a ralentí **inmediatamente** – de lo contrario es posible dañar el embrague.



- Apoye la máquina en la punta de la barrena.
- Suelte el freno de barrena moviendo la palanca accionadora a la posición **B**. Su motoperforadora está lista para trabajar.

Asegúrese que el carburador esté correctamente ajustado – la barrena no debe girar cuando el motor está funcionando a ralentí.

#### Para apagar el motor:

- Mueva el control deslizante en el sentido indicado por **I** a **0**.

#### A temperaturas ambiente muy bajas: Permita que el motor se caliente

Tan pronto arranque:

- Oprima el gatillo de aceleración momentáneamente para desengranar la posición de arranque del acelerador – el control deslizante se desplaza a la posición de marcha normal **I**, y el motor regresa a aceleración de ralentí.
- Abra el acelerador levemente – caliente el motor por un período breve.

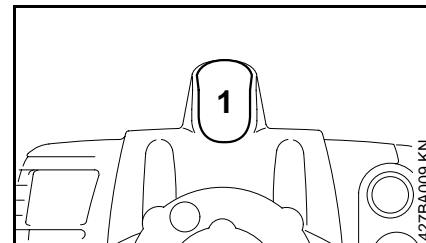
#### Si el motor no arranca:

Si no se movió la perilla del estrangulador a **I** en un tiempo suficientemente corto después que el motor empezó a encenderse, la cámara de combustión se encuentra "ahogada".

- Gire la perilla del estrangulador a **I**.
- Ponga el control deslizante, la palanca de bloqueo y el gatillo de aceleración en la posición de arranque.
- Arranque el motor – tire de la cuerda de arranque rápidamente – puede ser necesario tirar de ella de 10 a 20 veces.

#### Si el motor todavía no arranca:

- Mueva el control deslizante en el sentido indicado por **I** a **0**.



- Quite el casquillo de la bujía (**1**).
- Destornille y seque la bujía.
- Abra el acelerador al máximo.
- Tire de la cuerda de arranque varias veces para despejar la cámara de combustión.
- Vuelva a colocar la bujía y conecte su casquillo, empujándolo firmemente.
- Mueva el control deslizante a la posición **START**.
- Ponga la perilla del estrangulador en **I** – aun si el motor está frío.
- Ahora arranque el motor.

## Instrucciones de manejo

### Ajuste del cable del acelerador

- Revise el ajuste del cable del acelerador – vea el capítulo "Ajuste del cable del acelerador".

### Si se ha dejado que se agote el combustible y se ha vuelto a llenar el tanque:

- Comprima el bulbo de la bomba de combustible por lo menos cinco veces.
- Ahora arranque el motor.

### Durante el período de rodaje

Una máquina nueva no debe hacerse funcionar a velocidad alta (aceleración máxima sin carga) por el lapso que tome llenar el tanque tres veces. Esto evita la imposición de cargas innecesariamente altas durante el período de rodaje. Ya que todas las piezas móviles deben asentarse durante el período de rodaje inicial, durante este tiempo la resistencia causada por fricción en el motor es más elevada. El motor desarrolla su potencia máxima después de haber llenado el tanque de 5 a 15 veces.

### Durante el funcionamiento

Después de un período largo de funcionamiento con el acelerador a fondo, deje funcionar el motor por un rato en ralentí de modo que el calor en el motor sea disipado por la corriente de aire de enfriamiento. Esto ayuda a evitar que los componentes montados en el motor (encendido, carburador) sufran sobrecargas térmicas.

### Después de terminar el trabajo

Espere hasta que el motor se enfríe. Vacíe el tanque de combustible y guarde la máquina en un lugar seco. Verifique periódicamente el apriete de todos los pernos y tuercas accesibles (pero no los tornillos de ajuste) y vuelva a apretarlos según se requiera.

### Extensión de eje (accesorio especial)

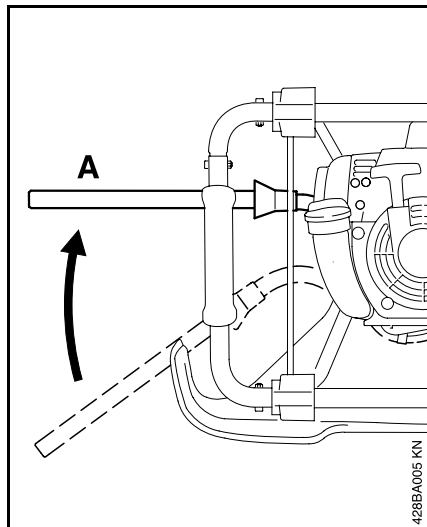
No instale la extensión de eje hasta que toda la barrena esté en el hoyo.



Al empezar la perforación con la extensión de eje instalada se aumenta el riesgo de lesiones personales, ya que la máquina estará al nivel del pecho y será más difícil controlarla adecuadamente.

Por la misma razón, hay que quitar la extensión de eje antes de retirar la barrena del hoyo.

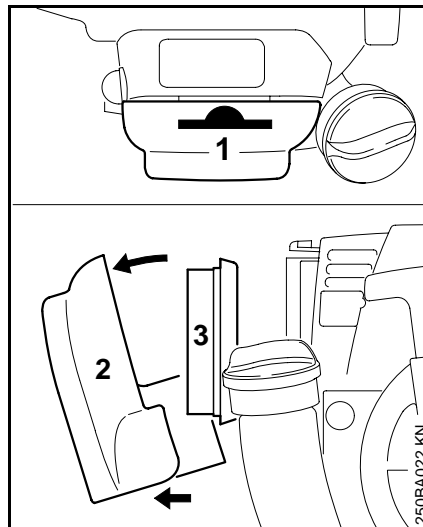
## Liberación de una barrena atascada



Si la barrena se atasca en el agujero, apague el motor inmediatamente.

- Mueva el control deslizante en el sentido indicado por a .
- Aplique el freno de barrena moviendo la palanca accionadora a la posición **A**.
- Ahora, gire la máquina completa a la izquierda – en sentido contrario – para desenroscar la barrena del suelo.

## Limpieza del filtro de aire



### Si se nota una pérdida considerable de la potencia del motor

- Gire la perilla del estrangulador a .
- Oprima la lengüeta (1).
- Quite la tapa del filtro (2).
- Quite la tierra suelta del interior de la tapa y de alrededor del filtro.
- Saque y revise el elemento de filtro (3) – si está sucio o dañado, instale un elemento nuevo.
- Coloque el elemento de filtro en la tapa del filtro.
- Empuje la tapa del filtro en su lugar.

## Manejo del motor

Las emisiones de gases de escape son controladas por el diseño de parámetros y componentes fundamentales del motor (por ej. carburación, encendido, regulación y regulación de la válvula o lumbrera) sin la adición de ningún equipo importante.

## Ajuste del carburador

### Información general

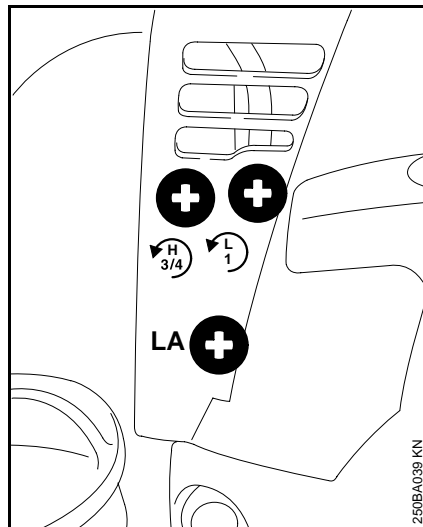
El carburador se ajusta en la fábrica al ajuste estándar.

Este ajuste provee una mezcla óptima de combustible y aire bajo la mayoría de las condiciones de funcionamiento.

Con este carburador es posible ajustar el tornillo de velocidad rápida dentro de una gama pequeña.

### Ajuste estándar

- Apague el motor.
- Quite la barrena de la máquina.
- Revise el filtro de aire y límpiolo o sustitúyalo de ser necesario.
- Revise que el cable del acelerador esté debidamente ajustado – reajústelo de ser necesario – vea el capítulo "Ajuste del cable del acelerador".



- Gire el tornillo de ajuste de velocidad alta (**H**) en sentido contrahorario hasta su tope – **no más que  $\frac{3}{4}$  de vuelta.**
- Atornille cuidadosamente el tornillo de velocidad baja (**L**) en sentido horario hasta que tope en su asiento. Después ábralo **una vuelta** en sentido contrahorario.
- Arranque el motor y caliéntelo.
- Ajuste la velocidad de ralentí con el tornillo (**LA**) hasta que el árbol de perforación deje de girar.

### Ajuste de ralentí

**El motor se para durante el funcionamiento a ralentí**

- Efectúe el ajuste estándar del tornillo de velocidad baja (**L**).
- Gire el tornillo de ajuste de ralentí (**LA**) en sentido horario hasta que el motor funcione de modo suave – el árbol de perforación no debe girar.

**El árbol de perforación gira cuando el motor funciona a ralentí**

- Gire el tornillo de ralentí (**LA**) en sentido contrahorario hasta que el árbol de perforación se detenga y luego gírelo aproximadamente **otra media vuelta a vuelta completa** en el mismo sentido a partir de esa posición.

## Revisión de la bujía

### Funcionamiento irregular a ralentí, aceleración deficiente

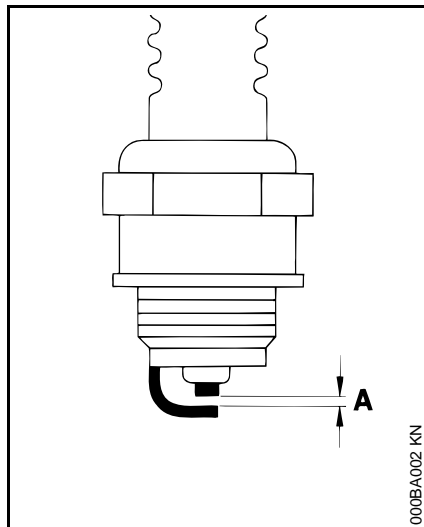
- Efectúe el ajuste estándar del tornillo de velocidad baja (L).  
Ajuste de ralentí con mezcla muy pobre:
- Gire el tornillo de ajuste de velocidad baja (L) en sentido contrahorario hasta que el motor funcione y se acelere de modo uniforme.

Generalmente es necesario cambiar el ajuste del tornillo de ralentí (LA) después de cada corrección hecha al tornillo de velocidad baja (L).

### Ajuste fino del carburador para funcionamiento a alturas grandes

Puede ser necesario efectuar un ajuste ligero si el motor no funciona adecuadamente:

- Revise el ajuste estándar.
- Caliente el motor.
- Gire el tornillo de velocidad alta (H) en sentido horario (mezcla más pobre):



Si la mezcla del combustible es incorrecta (demasiado aceite en la gasolina), el filtro de aire está sucio, y las condiciones de trabajo no son favorables (especialmente a aceleraciones intermedias) se afecta la condición de la bujía.) Estos factores permiten la formación de depósitos en la punta aislante, los cuales pueden perjudicar el rendimiento.

Si el motor pierde potencia, es difícil arrancarlo o funciona de modo irregular a ralentí, revise la bujía primero.

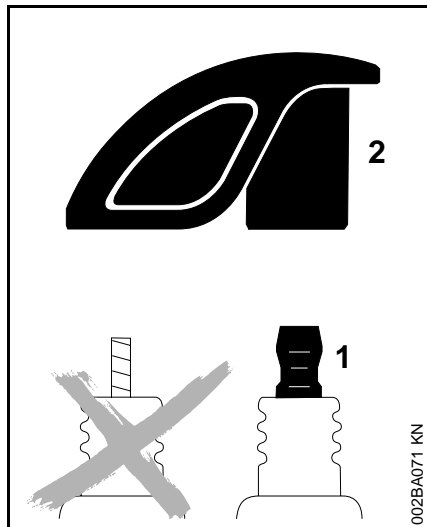
- Quite la bujía de la manera descrita en el capítulo "Arranque / parada del motor".
- Limpie la bujía si está sucia.
- Revise la distancia entre electrodos (A) y ajústela según se requiera – vea las "Especificaciones".
- Utilice únicamente bujías tipo resistencia cuyo margen de rendimiento sea el aprobado.

Corrija los problemas que hayan causado la contaminación de la bujía:

- Demasiado aceite en la mezcla de combustible.
- Filtro de aire sucio.
- Condiciones desfavorables de funcionamiento, por ejemplo, funcionando bajo carga parcial.

**Instale una bujía nueva después de aprox. 100 horas de funcionamiento,** o más temprano si los electrodos están muy gastados.

## Funcionamiento del motor



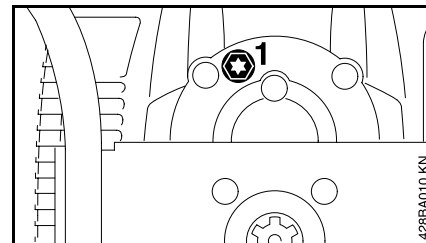
**⚠** Para reducir el riesgo de incendio y de quemaduras, utilice solamente las bujías autorizadas por STIHL. Siempre inserte el casquillo (2) de la bujía bien apretado en el borne (1) del tamaño adecuado. (Nota: Si el borne tiene una tuerca adaptadora SAE desmontable, tiene que ser instalada.) Una conexión suelta entre el casquillo de la bujía y el conector del cable de encendido en el casquillo puede crear un arco voltaico y encender los vapores del combustible, provocando un incendio.

Si el funcionamiento del motor es insatisfactorio aunque el filtro de aire está limpio y el carburador ha sido debidamente ajustado, la causa puede hallarse en el silenciador.

- Revise si hay contaminación (coquización) en el silenciador.

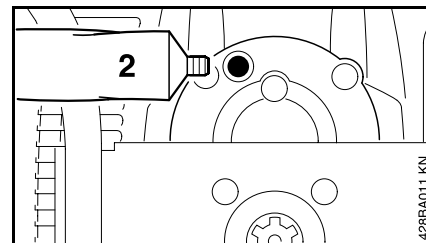
STIHL recomienda que un concesionario STIHL autorizado efectúe los trabajos de mantenimiento y reparación.

## Lubricación de la caja de engranajes



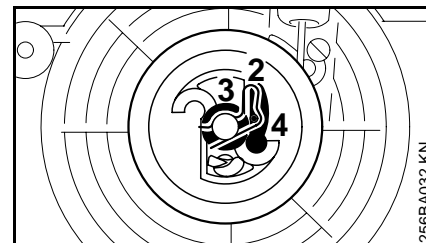
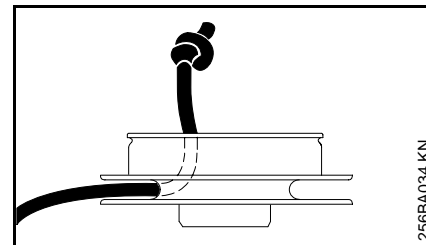
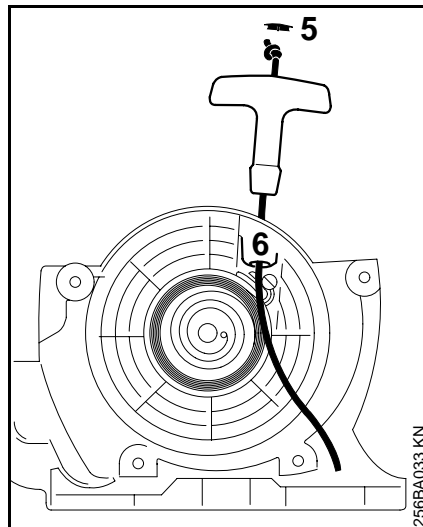
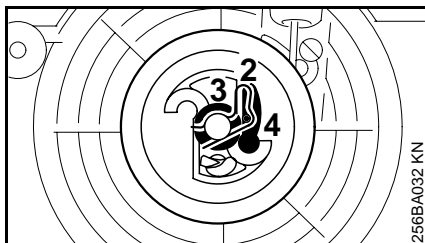
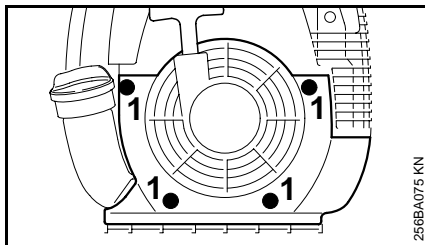
Revise el nivel de grasa después de cada 50 horas de funcionamiento:

- Desenrosque el tapón de llenado (1). Si no se ve grasa en el interior del tapón de llenado, vuelva a llenar la caja de engranajes.



- Aplique el tubo (2) de lubricante para engranajes STIHL 0781 120 1117 al agujero de llenado.
- Aplique alrededor de 1/4 oz (5-10 g) de grasa al interior de la caja de engranajes.  
No sobrellene la caja de engranajes.
- Vuelva a colocar el tapón de llenado y apriételo firmemente.

## Sustitución de la cuerda de arranque y resorte de rebobinado

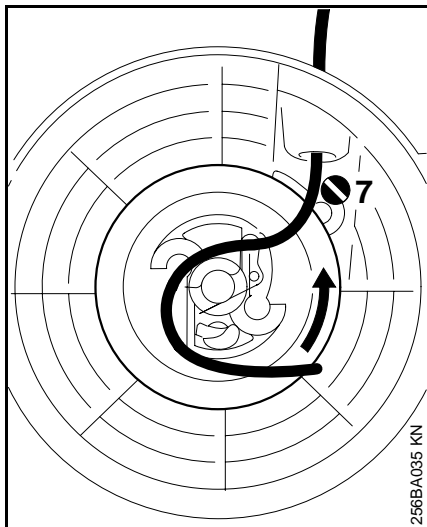


### Sustitución de una cuerda de arranque rota

**⚠ El resorte de rebobinado puede saltar y desenrollarse durante esta operación. Tenga cuidado para evitar las lesiones.**

- Saque los tornillos (1).
- Retire la caja del ventilador.
- Quite la pinza de resorte (2).
- Quite cuidadosamente el rotor de la cuerda con la arandela (3) y el trinquete (4).
- Saque cuidadosamente la tapa (5) del mango de arranque.
- Quite el resto de la cuerda del rotor y del mango.
- Haga un nudo de rizo sencillo en el extremo de la cuerda de arranque nueva – vea “Especificaciones” – y después pase la cuerda por la parte superior del mango y por el buje de la cuerda (6).
- Vuelva a instalar la tapa en el mango.
- Pase la cuerda a través del rotor y fijela con un nudo de rizo simple.
- Cubra la cavidad del cojinete del rotor de la cuerda con aceite sin resina - vea "Accesorios especiales".
- Deslice el rotor en el poste del arrancador. Gírelo hacia uno y otro lado para engranar la espiral terminal del resorte de rebobinado.
- Vuelva a colocar el trinquete (4).
- Coloque la arandela (3).
- Instale la pinza de resorte (2) en el poste del arrancador y engánchela en el vástago del trinquete – la pinza de resorte debe apuntar en sentido horario.






### Tensado del resorte de rebobinado

- Forme un bucle con la cuerda de arranque sin envolver y utilícelo para girar el rotor seis revoluciones completas en sentido contrahorario.
- Sujete y mantenga el rotor inmóvil – tire de la cuerda y enderézela.
- Suelte el rotor de la cuerda.


- Suelte lentamente la cuerda para que se enrolle en el rotor. El mango de arranque debe quedar firmemente en el buje guía de la cuerda. Si el mango cae hacia un lado: Dele una vuelta adicional al rotor de la cuerda para aumentar la tensión del resorte.

Cuando la cuerda de arranque está **completamente extendida**, debe ser posible girar el rotor **1-1/2** vueltas adicionales.

-  En caso contrario, el resorte está sobretensado y podría romperse.
- Qúitele una vuelta de la cuerda al rotor, en tal caso.
- Instale la caja del ventilador.

### Sustitución del resorte de rebobinado roto

- Quite el rotor de la cuerda de la forma descrita en "Sustitución de una cuerda de arranque rota".

 Los pedazos de resorte en la caja del ventilador todavía pueden estar bajo tensión y podrían salir lanzados cuando los saque de la caja. Para reducir el riesgo de lesionarse, póngase guantes, anteojos y protector facial.

- Saque los tornillos (7).
- Retire la caja de resorte y las piezas del resorte
- Lubrique el resorte de repuesto en la caja nueva con unas cuantas gotas de aceite sin resina - vea "Accesorios especiales".

Coloque el resorte de repuesto con la caja en su posición – la placa inferior debe quedar orientada hacia arriba. Si el resorte se sale de la caja durante la instalación: Colóquelo nuevamente en sentido horario, empezando desde el exterior y avanzando hacia adentro.

- Instale los tornillos.
- Instale el rotor de la cuerda de la forma descrita en "Sustitución de una cuerda de arranque rota".
- Tense el resorte de rebobinado.
- Instale la caja del ventilador.

## Almacenamiento de la máquina

Para intervalos de 3 meses o más:

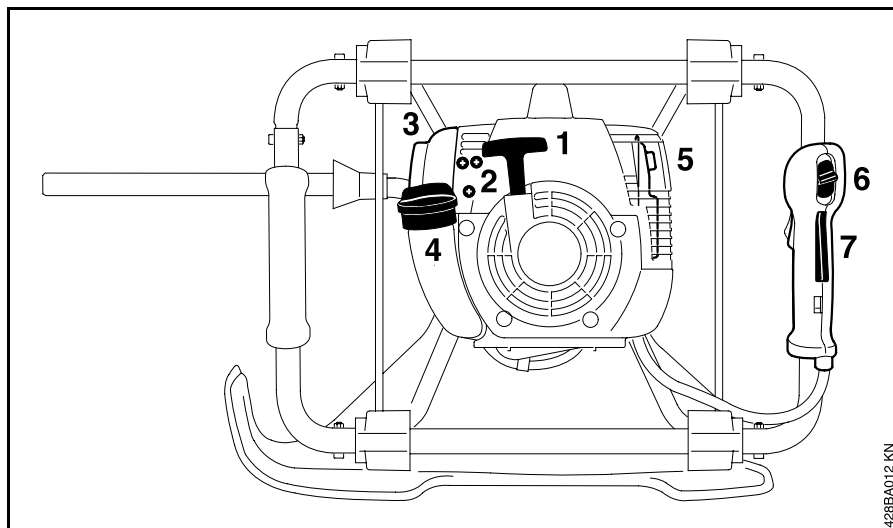
- Retire la barrena.
- Vacíe y limpie el tanque de combustible en una zona bien ventilada.
- Deseche el combustible de acuerdo con los requerimientos locales de protección del medio ambiente.
- Haga funcionar el motor hasta que el carburador se seque – esto ayuda a evitar que los diafragmas del carburador se peguen.
- Limpie la máquina a fondo - preste atención especial a las aletas del cilindro y al filtro de aire.
- Guarde la máquina en un lugar seco y elevado, o bajo llave – fuera del alcance de los niños y de otras personas no autorizadas.

## Tabla de mantenimiento

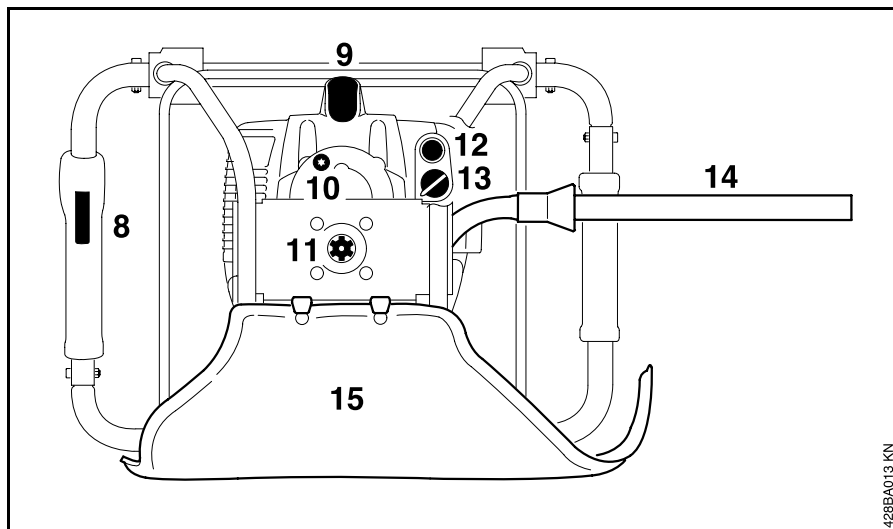
Sirvase notar que los intervalos de mantenimiento siguientes son aplicables en condiciones normales de funcionamiento. Si el tiempo de trabajo por jornada es más largo que lo normal, o si las condiciones son extremas (zonas polvorrientas, etc.), acorte los intervalos indicados de modo correspondiente.		antes de comenzar el trabajo	después de terminar el trabajo o diariamente	después de cada parada para cargar combustible	semanalmente	mensualmente	anualmente	si hay problema	si tiene daños	según se requiera
Máquina completa	Inspección visual (condición general, fugas)	X		x						
	Limpiar		X							
Freno de barrena	Comprobar funcionamiento	X		X						
	Solicitar al concesionario de servicio su mantenimiento <sup>1)</sup>									X
Mango de control	Comprobar funcionamiento	X		X						
Filtro de aire	Limpiar							X		
	Reemplazar								X	
Recogedor en tanque de combustible	Revisar							X		
	Reemplazar						X			X
Tanque de combustible	Limpiar					X				
Carburador	Comprobar ajuste de ralentí – el árbol de perforación no debe girar	X								
	Ajustar el ralentí									X
Bujía	Ajustar la distancia entre electrodos							X		
	Cambiar después de cada 100 horas de funcionamiento									
Chispero en silenciador	Solicitar al concesionario STIHL su revisión							X		
Todos los tornillos y tuercas accesibles (salvo los tornillos de ajuste)	Volver a apretar									
Elementos antivibración	Revisar	X						X		X
	Solicitar al concesionario de servicio su sustitución <sup>1)</sup>								X	
Caja de engranajes	Relubricar									X
Arbol de perforación	Limpiar		X							
Barrena	Inspeccionar	X								
	Reemplazar									X
Etiquetas de seguridad	Reemplazar								x	

<sup>1)</sup> STIHL recomienda que el concesionario STIHL efectúe este trabajo

## Controles y piezas principales



- 1 Mango de arranque
- 2 Tornillos de ajuste del carburador
- 3 Tapa del filtro de aire
- 4 Tapa de llenado de combustible
- 5 Silenciador (con chispero)
- 6 Control deslizante
- 7 Bloqueo del gatillo de aceleración



- 8 Gatillo de aceleración
- 9 Casquillo de la bujía
- 10 Tapón atornillable
- 11 Arbol de perforación
- 12 Bomba de combustible
- 13 Perilla del estrangulador
- 14 Palanca de freno de barrena
- 15 Almohadilla

## Especificaciones

### Definiciones

- 1. Mango de arranque**  
El mango de la cuerda de arranque, el cual es el dispositivo usado para arrancar el motor.
- 2. Tornillos de ajuste del carburador**  
Para afinar el carburador.
- 3. Tapa del filtro de aire**  
Encierra y protege el filtro de aire.
- 4. Tapa de llenado de combustible**  
Para tapar el tanque de combustible.
- 5. Silenciador (con chispero)**  
Reduce los ruidos del tubo de escape y desvía los gases de escape lejos del operador.
- 6. Control deslizante**  
Para aceleración de arranque, marcha y parada. Mantiene el acelerador parcialmente abierto durante el arranque, apaga el encendido del motor y detiene su marcha.
- 7. Bloqueo del gatillo de aceleración**  
Debe ser oprimido antes de poder activar el gatillo de aceleración.
- 8. Gatillo de aceleración**  
Regula la velocidad del motor.
- 9. Casquillo de la bujía**  
Conecta la bujía al alambre de encendido.
- 10. Tapón atornillable**  
Sella la abertura de llenado de grasa de la caja de engranajes.
- 11. Arbol de perforación**  
Para fijar el portabrocas o adaptador al taladro motorizado.
- 12. Bomba de combustible**  
Suministra alimentación adicional de combustible para el arranque en frío.
- 13. Perilla del estrangulador**  
Acciona el estrangulador para enriquecer la mezcla y facilitar el arranque del motor.
- 14. Palanca accionadora de freno de barrena**  
Palanca para aplicar y soltar el freno de barrena.
- 15. Almohadilla**  
Ayuda a amortiguar el muslo contra impactos con el bastidor de mango.

### EPA / CEPA:

El período de cumplimiento de emisiones indicado en la etiqueta de cumplimiento de emisiones es la cantidad de horas de funcionamiento para la cual la máquina ha demostrado la conformidad con los requerimientos de emisiones del Gobierno federal de los EE.UU.

Categoría:

A = 300 horas,  
B = 125 horas,  
C = 50 horas

### CARB:

El período de cumplimiento de emisiones empleado en la etiqueta del índice de aire CARB tiene las siguientes definiciones:

Extended (extendido) = 300 horas,  
Intermediate (intermedio) = 125 horas,  
Moderate (moderado) = 50 horas

### Motor

Motor STIHL de un cilindro, dos tiempos

Cilindrada:	30,8 cm <sup>3</sup> (1.88 pulg cúb.)
Diámetro:	35 mm (1,38 pulg)
Carrera:	32 mm (1,26 pulg)
Potencia del motor según ISO 8893	1,3 kW (1,8 bhp)
Velocidad máx. del motor sin la barrena	12 300 rpm
Velocidad de ralentí	2800 rpm

**Sistema de encendido****Tipo**

Encendido electrónico con magneto y gobernador electrónico de velocidad

**Bujía (tipo resistencia)**

Bosch WSR 6 F, NGK BPMP 7 A o Champion RCJ 6 Y (no en todos los mercados)

**Distancia entre electrodos**

0,5 mm (0,02 pulg)

**Roscas de la bujía**

M 14 x 1,25; 9,5 mm (0,37 pulg) de largo

**Sistema de combustible****Carburador**

Carburador de diafragma de todas posiciones con bomba de combustible integral

**Filtro de aire**

Elemento de papel para filtro

**Capacidad del tanque de combustible**

0.64 l (1,53 pt EE.UU.)

**Mecanismo de perforación****Tipo**

Engranajes rectos de 3 etapas

**Relación entre engranajes**

47,5 : 1

**Velocidad máx. del árbol de perforación**

190 rpm

**Par motor máx. del árbol de perforación**

79 Nm

**Lubricación**

Lubricante para engranajes STIHL para cortadoras de matorrales

**Peso****sin herramienta de perforación (barrena)**

9,4 kg (20,7 lb)

**Dimensiones****Largo de la máquina**

aprox. 400 mm (15,7 pulg)

**Ancho del bastidor de mango**

aprox. 530 mm (20,9 pulg)

**Altura sin herramienta de perforación (barrena)**

aprox. 340 mm (13,4 pulg)

**Arrancador de cuerda**

Cuerda de arranque: 3,0 mm (0,11 pulg) de diámetro, 850 mm (33,5 pulg) de largo

**Herramientas perforadoras (barrenas)****Barrenas**

40, 60, 90, 120, 150, 200 mm (1,6; 2,4; 3,5; 4,7; 5,9; 7,9 pulg) de diámetro,  
695 mm (27,4 pulg) de largo

**Barrena para siembra**

260 mm (10,2 pulg)

**Barrena para siembra**

150 mm (6 pulg) de diámetro,  
525 mm (20,6 pulg) de largo

**Accesorios especiales****Extensión del eje**

450 mm (17,7 pulg) de largo


**Portabrocas**

Para diámetros de perforación de 2 a 13 mm (5/64 a 1/2 pulg)

## Mantenimiento y reparaciones

Los usuarios de esta máquina deben efectuar únicamente los trabajos de mantenimiento descritos en este manual. Solamente los talleres autorizados por STIHL deben llevar a cabo los demás trabajos de reparación.

Los reclamos de garantía presentados después de realizadas las reparaciones serán aceptados únicamente si las mismas fueron ejecutadas por un concesionario de servicio autorizado STIHL utilizando piezas de repuesto originales de STIHL.

Es posible identificar las piezas originales de STIHL por el número de pieza **STIHL**, el logotipo de STIHL y, en algunos casos, el símbolo  de piezas STIHL. En las piezas pequeñas el símbolo puede aparecer solo.

## No para California: Declaración de garantía de STIHL Incorporated sobre sistemas de control de emisiones según normas Federales

### Sus derechos y obligaciones de garantía

La Agencia de Protección del Medio Ambiente (EPA) de los EE.UU. y STIHL Incorporated se complacen en explicarle la garantía del sistema de control de emisiones instalado en el motor de su equipo. En los EE.UU., los nuevos motores pequeños para equipos de uso fuera de carretera modelos 1997 y posteriores deben estar diseñados, contruidos y equipados, al tiempo de la venta, de conformidad con los reglamentos de la EPA de los EE.UU. para los motores pequeños de uso fuera de carretera. El motor del equipo debe carecer de defectos en el material y la fabricación que puedan causar el incumplimiento de las normas de la EPA de los EE.UU. durante los primeros dos años de uso del motor a partir de la fecha de compra por el último comprador.

STIHL Incorporated debe garantizar el sistema de control de emisiones en el motor pequeño para uso fuera de carretera por el intervalo mencionado más arriba, siempre que dicho motor no haya estado sujeto a maltrato, negligencia o cuidado inapropiado.

El sistema de control de emisiones de su máquina incluye piezas tales como el carburador y el sistema de encendido. Además puede incluir mangueras, conectores y otros conjuntos relativos a emisiones.

En los casos de existir una condición amparada bajo garantía, STIHL Incorporated reparará el motor pequeño para equipo de uso fuera de carretera sin

costo alguno, incluido el diagnóstico (si el trabajo de diagnóstico fue realizado por un concesionario autorizado), las piezas y la mano de obra.

### Cobertura de garantía del fabricante:

En los EE.UU., los motores pequeños para equipos de uso fuera de carretera modelos 1997 y posteriores también están garantizados por dos años. En el caso de encontrarse defectos en cualquiera de las piezas del motor relacionadas con el sistema de control de emisiones, la pieza será reparada o sustituida por STIHL Incorporated sin costo alguno.

### Responsabilidades del usuario relativas a la garantía:

Como propietario de motor pequeño para equipo de uso fuera de carretera, usted tiene la responsabilidad de realizar el mantenimiento requerido descrito en su manual del usuario. STIHL Incorporated le recomienda guardar todos los recibos comprobantes de los trabajos de mantenimiento hechos a su motor pequeño para equipo de uso fuera de carretera, pero STIHL Incorporated no puede negar garantía basado en el solo hecho de faltar los recibos o del incumplimiento del propietario de realizar todos los trabajos de mantenimiento programados.

El uso de cualquier pieza de repuesto o servicio cuyo comportamiento y durabilidad sean equivalentes está permitido en trabajos de mantenimiento o reparación no contemplados en la garantía, y no

reducirá las obligaciones de la garantía del fabricante del motor.

Sin embargo, como propietario del motor pequeño para equipo de uso fuera de carretera usted debe estar consciente de que STIHL Incorporated puede negarle cobertura de garantía si dicho motor o una pieza del mismo ha fallado debido a maltrato, descuido, mantenimiento inadecuado o modificaciones no autorizadas.

Usted es responsable de llevar el motor pequeño para equipo de uso fuera de carretera a un centro de servicio STIHL tan pronto surja el problema. Las reparaciones bajo garantía serán realizadas en un tiempo razonable, sin exceder de 30 días.

Ante cualquier duda respecto a sus derechos y responsabilidades bajo esta garantía, sírvase contactar al representante de atención al cliente STIHL llamando al 1-800-467-8445, o si lo prefiere puede escribir a

STIHL Inc.,  
536 Viking Drive, P.O. Box 2015,  
Virginia Beach, VA 23450-2015 EE.UU.

### Cobertura por STIHL Incorporated

STIHL Incorporated garantiza al último comprador y a cada comprador subsiguiente que el motor pequeño para equipo de uso fuera de carretera está diseñado, construido y equipado, al tiempo de la venta, de conformidad con todos los reglamentos aplicables. Además, STIHL Incorporated garantiza al comprador inicial y a cada comprador



subsiguiente que el motor está libre de defectos en el material y fabricación que puedan causar el incumplimiento de los reglamentos aplicables durante un período de dos años.

### **Período de garantía**

El período de garantía comienza en la fecha en que el motor del equipo utilitario es entregado a usted y usted firma y remite la tarjeta de garantía a STIHL.

Si cualquier pieza relacionada con el sistema de control de emisiones está defectuosa, la pieza será sustituida por STIHL Incorporated sin costo alguno para el propietario. Cualquier pieza garantizada cuyo reemplazo no está programado como mantenimiento requerido, o que debe recibir únicamente inspección regular en el sentido de "reparar o sustituir según sea necesario", estará garantizada por el período de garantía. Cualquier pieza cuyo reemplazo está programado como mantenimiento requerido estará garantizada por el intervalo hasta el primer punto de reemplazo programado para esa pieza.

### **Diagnóstico**

Como propietario, a usted no se le debe cobrar la mano de obra por los diagnósticos que determinen que una pieza garantizada está defectuosa. No obstante, si usted reclama garantía para un componente y se comprueba que la máquina no está defectuosa, STIHL Incorporated le cobrará el costo de la prueba del sistema de control de emisiones.

El trabajo de diagnóstico mecánico se realiza en un centro de servicio autorizado por STIHL. La prueba del sistema de control de emisiones se realiza ya sea en la fábrica de STIHL Incorporated o en un laboratorio de ensayos independiente.

### **Trabajo bajo garantía**

STIHL Incorporated reparará los defectos amparados por la garantía en cualquier estación de garantía o centro de servicio autorizado por STIHL. Todo trabajo de este tipo se hará gratis para el propietario siempre que se determine que la pieza cubierta por la garantía está defectuosa. Se puede usar cualquier pieza de repuesto aprobada por el fabricante o equivalente en las piezas relacionadas con el sistema de control de emisiones, y debe ser suministrada gratis al propietario. STIHL Incorporated es responsable por daños a otros componentes del motor causados por la falla de una pieza garantizada que todavía está bajo garantía.

La lista siguiente define específicamente las piezas garantizadas y relacionadas con las emisiones:

Carburador  
Estrangulador (sistema de refuerzo para arranque en frío)  
Múltiple de admisión  
Filtro de aire  
Bujía  
Magneto o sistema de encendido electrónico (módulo de encendido)  
Convertidor catalítico (si lo tiene)  
Sujetadores/pernos

### **Dónde presentar el reclamo para servicio bajo garantía**

Lleve el producto a cualquier centro de servicio autorizado por STIHL y presente la tarjeta de garantía firmada.

### **Requerimientos de mantenimiento**

Las instrucciones presentadas en este manual se basan en la aplicación de la mezcla recomendada para motores de 2 tiempos (vea también la instrucción "Combustible"). Las discrepancias de estas recomendaciones con respecto a la calidad y la proporción de la mezcla de combustible y aceite pueden exigir intervalos de mantenimiento más cortos.

### **Limitaciones**

Esta garantía de los sistemas de control de emisiones no cubrirá ninguno de los puntos siguientes:

- reparación o sustitución requerida debido a maltrato, negligencia o falta del mantenimiento requerido,
  - reparaciones mal hechas o sustituciones contrarias a las especificaciones de STIHL Incorporated que afecten desfavorablemente el funcionamiento y/o la durabilidad, y las alteraciones o modificaciones no recomendadas o aprobadas por escrito por STIHL Incorporated,
- y
- la sustitución de piezas y otros servicios y ajustes necesarios para el mantenimiento requerido en y después del primer punto de reemplazo programado.

 **WARNING!**

The engine exhaust from this product contains chemicals known to the State of California to cause cancer, birth defects or other reproductive harm.

 **ADVERTENCIA!**

El gas de escape del motor de esta máquina contiene productos químicos que en el estado de California son considerados como causantes de cáncer, defectos de nacimiento u otros efectos nocivos para los órganos de la reproducción.

**0458 428 8621 A**

**englisch / English USA / spanisch / español EE.UU / EPA**