

STIHL EC 70

Instruction Manual
Owner's Manual
Assembling
Safety Precautions
Operating Instructions
Maintenance



Warning:
Always follow safety precautions in
Owner's Manual – improper use
can cause serious injury!

Contents

| | |
|--|----|
| Parts and Controls | 2 |
| IMPORTANT SAFETY INSTRUCTIONS | 4 |
| SAFETY PRECAUTIONS | 6 |
| Working Techniques | 15 |
| Fitting the Cutting Blade | 17 |
| Mounting the Loop Handle | 18 |
| Starting | 19 |
| Lubricating Flexible Shaft | 20 |
| Gearbox Lubrication | 21 |
| Replacing the Depth Wheel | 21 |
| Replacing the Skirt | 21 |
| Replacing the Cutting Blade | 22 |
| Storing the Machine | 22 |
| Key to Symbols | 23 |
| Maintenance and Repairs | 23 |
| Specifications | 24 |
| Special Accessories | 24 |

This manual contains warnings, operating and safety precautions for the STIHL EC 70 edger.

Pay special attention to the safety precautions outlined on pages 4 to 14.

Allow only persons who understand this manual to operate your edger.

To receive maximum performance and satisfaction from your STIHL edger, it is important that you read and understand the maintenance and safety precautions before using your edger.

Contact your STIHL dealer or the STIHL distributor for your area if you do not understand any of the instructions in this manual.

Warning!

Because a edger is a high-speed cutting tool some special safety precautions must be observed to reduce the risk of personal injury.

Careless or improper use may cause serious or even fatal injury.

Make sure your unit is equipped with the proper deflector and handle for the type of cutting attachment being used. Always wear proper eye protection.

STIHL's philosophy is to continually improve all of its products. As a result, engineering changes and improvements are made from time to time. If the operating characteristics or the appearance of your edger differs from those described in this manual, please contact your STIHL dealer for information and assistance.

Printed on chlorine-free paper

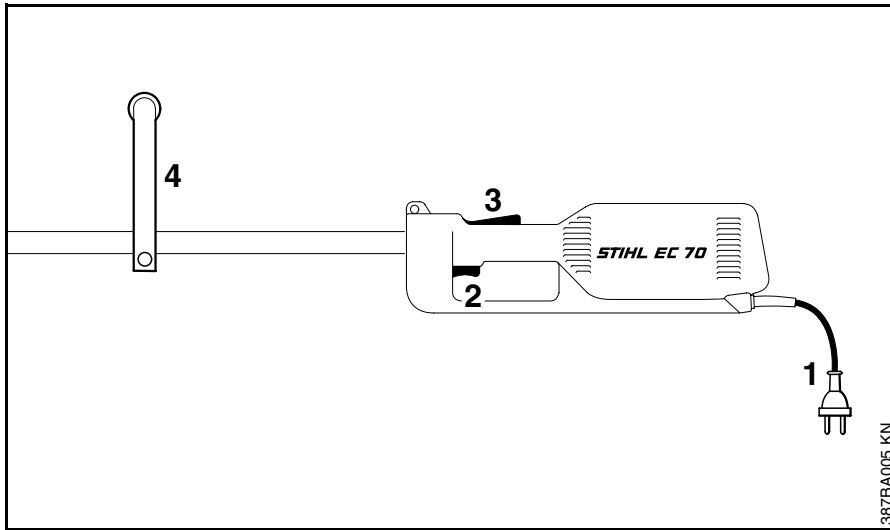
© 1999 Andreas Stihl AG & Co., Waiblingen

0458 387 3021. M0,5. M9. PM. Printed in USA

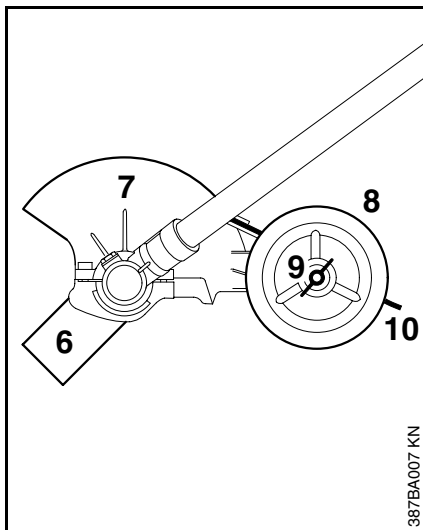
EC 70

STIHL®

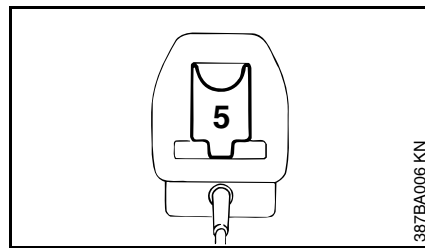
Parts and Controls



- 1= Power supply cord
- 2= Trigger switch
- 3= Starting lockout lever
- 4= Loop handle



- 5= Strain relief flap
- 6= Cutting blade
- 7= Deflector
- 8= Depth wheel
- 9= Wingnut
- 10= Skirt



Definitions

1 = Power supply cord.

Supplies electric to current motor.

2 = Trigger switch.

To switch the machine "on" and "off"

3 = Starting lockout lever.

Must be depressed before the trigger switch can be activated.

4 = Loop handle.

For easy control of machine during cutting work.

5 = Strain relief flap.

Supports extension cord and reduces the likelihood of disconnection of extension cord receptacles and trimmer plug.

6 = Cutting blade.

Metal cutting blade for cutting grass, weeds and soft green plants.

7 = Deflector.

The deflector is designed to reduce the risk of injury from foreign objects flung backwards toward the operator by the cutting tool and from contact with the cutting tool.

8 = Depth wheel.

Deflector-mounted depth wheel rolls on ground and keeps edger's cutting blade at present height for required depth of cut.

9= Wingnut.

Must be loosened to rotate the deflector to adjust the depth of cut.

10= Skirt.

The skirt is designed to reduce the risk from foreign objects flung backwards toward the operator by the cutting tool.

IMPORTANT SAFETY INSTRUCTIONS



Warning!

To reduce the risk of serious or fatal injury from electrocution, thrown objects and blade contact, follow basic precautions, including the following:

- 1 = Avoid Dangerous Environment - Don't use appliance in damp or wet locations.
- 2 = Don't Use In Rain.
- 3 = Keep Children Away -All visitors should be kept at a distance from work area.
- 4 = Dress Properly - Do not wear loose clothing or jewelry. They can be caught in moving parts. Use of rubber gloves and substantial footwear is recommended when working outdoors.
- 5 = Use Safety Glasses - Always use face or dust mask if operation is dusty.
- 6 = Use Right Appliance - Do not use appliance for any job except that for which it is intended.

7 = Ground Fault Circuit interrupter (GFCI) protection should be provided on the circuit(s) or outlet(s) to be used for the gardening appliance. Receptacles are available having built-in GFCI protection and may be used for this measure of safety.

8 = Warning To reduce the risk of electric shock, use only with an extension cord intended for outdoor use, such as an extension cord of cord type

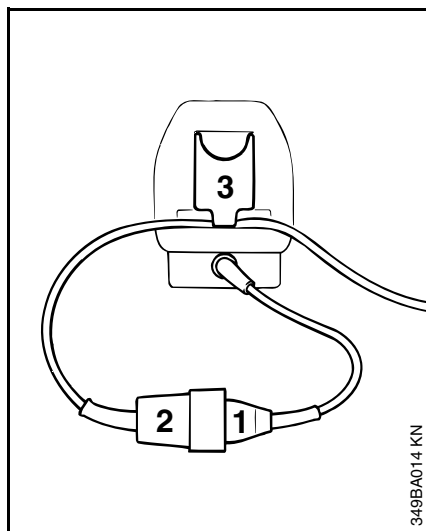
SW-A, SOW-A, STW-A, STOW-A, SJW-A, SJOW-A, SJTW-A, or SJTOW-A.

9 = Cord Sets - Make sure your cord set is in good condition. When using an extension cord set, be sure to use one heavy enough to carry the current your product will draw. An undersized extension cord set will cause a drop in line voltage resulting in loss of power and overheating. Table below shows the correct size to use depending on cord length and nameplate ampere rating. If in doubt, use the next heavier gage. The smaller the gage number, the heavier the cord.

Minimum wire gage for extension cords for 120 Volt appliances using 0 - 6 amps

| | | | | |
|------------------|----|----|-----|-----|
| Cord length (ft) | 25 | 50 | 100 | 150 |
| Wire size (AWG) | 18 | 16 | 16 | 14 |

Appropriate extension cords are available in special stores for electrical equipment or from your STIHL dealer.



To reduce the risk of disconnection of appliance cord from the extension cord set during operating:

- Insert unit's plug **(1)** into extension cord coupling **(2)**.
- Swing the flap **(3)** outward and push extension cord into the recess.
- Let go of the flap.

10= Avoid Unintentional Starting - Don't carry plugged-in appliance with finger on switch. Be sure switch is off when plugging in.

11= Don't Abuse Cord - Never carry appliance by cord or yank it to disconnect from receptacle. Keep cord from heat, oil, and sharp edges.

12= Don't grasp the exposed cutting blades or cutting edges when picking up or holding the appliance.

13= Don't Force Appliance - It will do the job better and with less likelihood of a risk of injury at the rate for which it was designed.

14= Don't Overreach - Keep proper footing and balance at all times.

15= Stay Alert - Watch what you are doing. Use common sense. Do not operate appliance when you are tired.

16= Disconnect Appliance - Disconnect the appliance from the power supply when not in use, before servicing, when changing accessories such as blades, and the like.

17= Store Idle Appliance indoors - When not in use, appliances should be stored indoors in dry, high or locked-up place - out of reach of children.

18= Maintain appliance with care - keep cutting edge sharp and clean for best performance and to reduce the risk of injury. Follow instructions for lubricating and changing accessories. Inspect appliance cord periodically, and if damaged, have it repaired by an authorized service facility. Inspect extension cords periodically and replace if damaged. Keep hands dry, clean and free from oil and grease.

SAFETY PRECAUTIONS SAVE THESE INSTRUCTIONS!

19= Check damaged parts - before further use of the appliance, a guard or other part that is damaged should be carefully checked to determine that it will operate properly and perform its intended function. Check for alignment of moving parts, binding of moving parts, breakage of parts, mounting, and any other condition that may affect its operation. A guard or other part that is damaged should be properly repaired or replaced by an authorized service center unless indicated elsewhere in this manual..

Replacement Parts

When servicing use only identical replacement parts. Replace damaged cords or have them repaired by authorized STIHL Servicing dealer only.

To reduce the risk of electric shock, this equipment has a polarized plug (one blade is wider than the other). This plug will fit in a polarized outlet one way. If the plug does not fit fully in the outlet, reverse the plug. If it still does not fit, contact a qualified electrician to install the proper outlet. Do not change the plug in any way.

Warning!



electric shock and personal injury.



It is important that you read, fully understand and observe the following safety precautions and warnings. Save this owner's manual and read the safety instructions periodically. Be thoroughly familiar with the controls and the proper use of the equipment. Know how to stop the unit and disengage the controls quickly.

Careless or improper use of any electric edger may cause serious or fatal injury. have your STIHL dealer show you how to operate your electric edger. Observe all applicable local safety regulations, standard and ordinances.

Warning!

The use of any electric edger may be hazardous. If the rotating cutting tool comes in contact with your body, it will cut you. When it comes in contact with solid foreign objects such as rocks or bits of metal, it may fling them directly or by ricochet in the direction of bystanders or the operator.

Striking such objects could damage the cutting attachment and may cause blades to crack, chip or break.

Thrown objects or damaged blades may result in serious or fatal injury to the operator or bystanders.

Warning!

Minors should never be allowed to use an electric edger. Bystanders, especially children and animals should not be allowed in the area where an electric edger is in use

Never let the electric edger run unattended.

SAVE THESE INSTRUCTIONS

Warning!

Do not lend or rent your electric edger without the owner's manual. Be sure that anyone using your electric edger understands the information contained in this manual.

Most of these safety precautions and warnings apply to the use of all STIHL electric edgers. Different models may have different parts and controls. See the appropriate section of your owner's manual for a description of the controls and function of the parts of your model electric edger.

Safe use of an electric involves

- 1 = the operator
- 2 = the edger
- 3 = the use of the edger.

THE OPERATOR!

Physical Condition

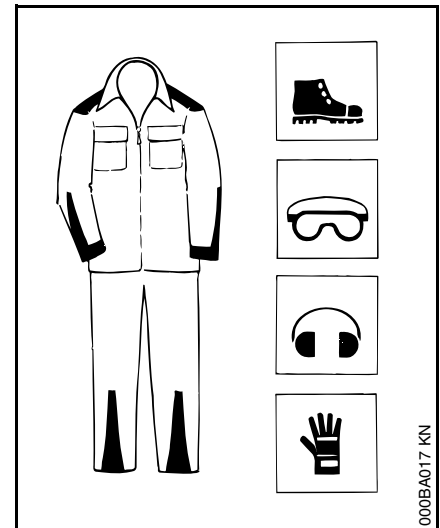
You must be in good physical condition and mental health and not under the influence of any substance (drugs, alcohol, etc.) which might impair vision, dexterity or judgment. Do not operate an electric edger when you are fatigued.

Be alert - if you get tired while operating your electric edger, take a break. Tiredness may result in loss of control. Working with any edger can be strenuous. If you have any condition that might be aggravated by strenuous work, check with your doctor before operation an edger.

Warning!

Prolonged use of an electric edger (or other machines) exposing the operator to vibrations may produce whitefinger disease (Raynaud's phenomenon) or carpal tunnel syndrome. These conditions reduce the hand's ability to feel and regulate temperature, produce numbness and burning sensations and may cause nerve and circulation damage and tissue necrosis.

Continual and regular users should monitor closely the condition of their hands and fingers. If any of the above symptoms appear, seek medical advice immediately.



Proper Clothing

Warning!



Electric edger operation can cause serious injury to eyes, ears and person. The deflector and skirt provided with your electric edger may not protect the operator from all foreign objects (gravel, glass, wire, etc.) thrown by the rotating cutting attachment. Thrown objects may also ricochet and strike the operator.

Therefore, to reduce the risk of injury to your eyes never operate an electric edger unless wearing goggles or properly fitted safety glasses with adequate top and side protection complying with ANSI Z 87.1 (or your applicable national standard).

To reduce the risk of injury to your face STIHL recommends that you also wear a face shield or face screen over your goggles or safety glasses.

 **Warning!**

Edger noise may damage your hearing. Wear sound barriers (ear plugs or ear muffers) to protect your hearing. Continual and regular users should have their hearing checked regularly.

Wear proper protective clothing.

Protect your hands with gloves when handling the electric edger and the cutting tool. Heavy-duty, nonslip gloves improve your grip and protect your hands.

Clothing must be sturdy and snug-fitting, but allow complete freedom of movement. Avoid loose-fitting jackets, scarfs, neckties, jewelry, flared or cuffed pants, unconfined long hair or anything that could become caught on branches, brush or moving parts of the unit. Wear long pants made of heavy material to protect your legs. Do not wear shorts.

Good footing is very important in edger work. Wear sturdy boots with nonslip soles. Do not operate an electric edger when barefoot or wearing open sandals. Steel-toed safety boots are recommended. Wear an approved safety hard hat to reduce the risk of injury to your head when there is a danger of head injuries.

THE EDGER

For illustrations and definitions of the electric edger parts see the chapter on "Parts and Controls"!

 **Warning!**

Never modify an electric edger in any way. Only attachments supplied by STIHL or expressly approved by STIHL for use with the specific STIHL electric edger model are authorized. Although certain unauthorized attachments are useable with the STIHL electric edger, their use may, in fact, be extremely dangerous.

THE USE OF THE ELECTRIC EDGER

Electrical precautions

Special precautions for electric edgers must be observed to reduce the risk of personal injury and property damage from fire and electric shock.

 **Warning!**

When servicing, use only identical replacement parts.

Only authorized personnel may repair or replace damaged cords.

Never attempt unauthorized repairs or open the powerhead.

 **Warning!**

The voltage of the power supply must agree with the voltage specified on the edger's machine label. Improper voltage will damage the edger and may cause personal injury.

 **Warning!**

Be sure switch is off when plugging the unit into the power supply in order to reduce the risk of fire or electrical shock from arcing and the risk of injury from contact with a revolving cutting tool.

 **Warning!**

In order to reduce the risk of serious injury from electrocution, never use your edger if the power supply cord or plug is cut, cracked, worn or damaged.

Disconnect the plug from the power supply and have a dealer replace the power supply cord.

Warning!



To avoid electric shock, do not use the edger in damp or wet locations. Do not expose or use in rain. To reduce the risk of electric shock, do not

handle the plug or the unit with wet hands.

Ground Fault Circuit interrupter (GFCI) protection should be provided on the circuit(s) or outlet(s) to be used for the gardening appliance. Receptacles are available having built-in GFCI protection and may be used for this measure of safety.

 **Warning!**

When using the electric edger, always keep the power supply cord behind you and away from the cutting tool. Always ensure that your power supply cord does not become entangled with obstacles or objects. Damaged cables may cause electrocution. Always disconnect the plug from the power supply when you take a break.

Cord Sets

 **Warning!**

To reduce the risk of electric shock use only extension cords that are intended for outdoor use. Use only three-wire extension cords that have three-prong grounding plugs and grounding receptacles that accept the appliance plug.

Do not use damaged extension cords. Examine extension cord before using and replace if damaged. When using an extension cord, be sure to use one heavy enough to carry the current your trimmer will draw. An undersized extension cord will cause a drop in line voltage resulting in loss of power and overheating. Following table shows the correct size to use depending on cord length and machine label ampere rating (for cord set type see chapter entitled "Starting").

Minimum wire size for extension cords for 120 Volt appliances using 6-10 amps

| Cord length (ft) | 50 | 100 | 150 |
|------------------|----|-----|-----|
| Wire size (AWG) | 16 | 14 | 12 |

Appropriate extension cords are available in special stores for electrical equipment.

Warning!

To reduce the likelihood of disconnection and the risk of electric shock, always retain the extension cord by means of the retaining device on the trimmer handle as shown in the chapter entitled "Starting" in your owner's manual.

Warning!

Avoid damage to the power supply cord. Keep cord away from heat, oil and sharp edges. Never carry trimmer by power cable or yank power cable to disconnect the plug from the wall outlet. To unplug, grasp the plug not the cord.

Transporting the electric edger

Warning!

Always switch off the motor and make sure the cutting attachment has stopped before putting an electric edger down. When transporting your electric edger in a vehicle, properly secure it to prevent turnover and damage to the electric edger.

To reduce the risk of unintentional starting, never carry a plugged in unit with your finger on the switch. Be sure the switch is off when plugged in.

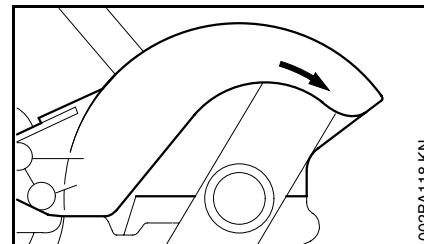
Preparation for the use of the electric edger

Adjust hand grip to suit your size before starting work.

The machine should be properly balanced as specified in your owner's manual for proper control and less fatigue in operation. Always check your electric edger for proper condition and operation before starting, particularly the power supply cord, plug, switch, cutting tool and deflector.

Warning!

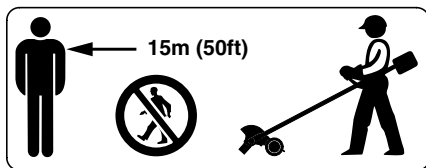
Inspect the power supply cord and plug before and after each use for signs of damage or aging.



An **arrow** on the deflector shows the correct direction of rotation of the cutting blade.

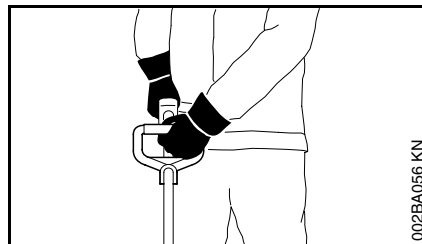
The deflector can be rotated to suit working conditions. The arrow on the deflector must always face away from you, so that cuttings and other debris will be diverted away from the machine and your position (see chapter "Working Techniques").

The cutting tool must be properly tightened and safe operating condition. Inspect for loose parts (nuts, screws, etc.) and for cracked, bent, warped or damaged blades.



Warning!

Your electric edger is a one-person machine. Once switched on, it may fling foreign objects for a great distance. To reduce the risk of eye and other injury insure that bystanders are at least 50 feet (15 m) away. Stop the motor and cutting tool immediately if you are approached. Operate your electric edger without assistance.



Working Conditions

Warning!

Never attempt to use an electric edger in locations where there is a potential for explosive or flammable atmospheres.

Operate the electric edger under good visibility and daylight conditions only. Work carefully.

Special care must be taken in slippery conditions and in difficult, over-grown terrain. Watch for hidden obstacles such as tree stumps, roots and ditches to avoid stumbling.



Stay alert for uneven side walks, holes in terrain or other similar conditions when using your electric edger. Always push slowly over rough ground.

Do not abuse your electric edger.

Warning!

Before cutting, inspect and clear the area of stones, glass, pieces of metal, trash or other solid objects. The cutting attachment could throw objects of this kind and cause personal injury. Do not use electric edger on gravel surfaces.

Warning!

When using your electric edger, avoid cutting close to fences, sides of buildings, tree trunks, stones or other such objects that could cause the electric edger to kick out or could cause damage to the blade. In addition, be alert to an increased risk of ricochets in such situations.

Operating Instructions

Always hold the edger firmly with both hands. Wrap your fingers tightly around the handles, keeping the handles cradled between your thumb and forefinger. Keep your hands in this position to have your electric edger under control at all times.

Make sure the handles and grip of the electric edger are in good condition and free of moisture, pitch, oil or grease.

 **Warning!**

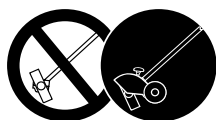
Never attempt to operate any electric edger with one hand. Loss of control of the electric edger resulting in serious or fatal injury may result.

 **Warning!**

Do not use the electric edger for any job except that for which it is intended. Use only for edging in grass, weeds and soft green plants.

 **Warning!**

Never divert discharge of material toward bystanders nor allow anyone near the area of operation. Use care in directing discharge to avoid glass enclosure, automobiles, and the like.



To reduce the risk of injury from thrown objects and blade contact, never operate any edger without a properly mounted deflector. Keep the skirt on the deflector adjusted properly at all times (see chapter on mounting the cutting tool of your owner's manual). Keep guards in place and in working order.

 **Warning!**

In order to reduce risk of eye injury always wear proper eye protection and operate product from position where guards or deflector blocks the line of sight to the cutting tool.

Do not overreach. Keep proper footing and balance at all times.

 **Warning!**

Keep hands and feet away from cutting area.

 **Warning!**

This electric edger is normally to be used at ground level with the cutting attachment perpendicular to the ground. Use of an electric edger above ground level or with the cutting attachment parallel to the ground may increase the risk of injury, since the cutting attachment is more fully exposed and the edger may be more difficult to control. Never use your electric edger as a hedge trimmer.

 **Warning!**

If the electric edger strikes a foreign object, follow these steps: switch off the motor and disconnect the plug, inspect for damage and repair any damage before operating the product.

If the cutting tool or deflector becomes clogged or stuck, always switch off the motor and disconnect the plug and make sure the cutting tool has stopped, before cleaning. Grass, weeds, etc. should be cleaned off the cutting tool at regular intervals.

 **Warning!**

During cutting, check the tightness and the condition of the cutting tool at regular intervals. If the behavior of the tool changes, switch off the motor immediately, hold the electric edger very firmly and brake the cutting tool to a standstill by pressing it against the ground. Unplug the unit and check the nut securing the tool for tightness and the cutting tool for cracks and damage.

If the electric edger vibrates abnormally, immediately stop the engine and check for the cause. Vibration is generally a warning of trouble.

 **Warning!**

Replace cracked, bent, warped, damaged, excessively worn or dull cutting tools immediately. Such tools may shatter at high speed and cause serious or fatal injury.

 **Warning!**

A loose blade may cause the blade to vibrate, crack, break or come off the electric edger, which may result in serious or fatal injury. Make sure that the blade is properly tightened. Use the wrench supplied or one of sufficient length to obtain the proper torque. If the blade loosens after being properly tightened, stop work immediately. The retaining nut may be worn or damaged and should be replaced. Never use unauthorized parts to secure the blade. Failure to use the proper parts may cause the blade to fly off and seriously injure the operator or bystanders. If the blade continues to loosen, see your STIHL dealer. Do not attach any blade to a unit without proper installation of all required parts. Never use an electric edger with a loose blade.

 **Warning!**

Never touch a rotating cutting tool with your hand or any part of your body.

The tool continues to rotate for a short period after the throttle trigger is released (flywheel effect).

Switch off the motor and unplug the unit whenever you leave the operating position.

MAINTENANCE; REPAIR AND STORING

Use only identical STIHL replacement parts for maintenance and repair. Use of parts manufactured by others may cause serious or fatal injury.

Follow the maintenance and repair instructions in the appropriate section of your owner's manual.

 **Warning!**

Always disconnect the plug from the power supply and make sure that the cutting tool is stopped before doing any maintenance or repair work or cleaning the electric edger. Do not attempt any maintenance or repair work not described in your owner's manual. Have such work performed at your STIHL service shop only.

Only authorized personnel may replace the power supply cord. A damaged power supply cord must be replaced by a identical STIHL replacement part.

Check cooling air inlets about every ten hours of operation and clean if necessary. Do not use any strong detergents on the plastic housing or handle. They can be attacked by certain house-hold cleaners containing aromatic oils such as pine or lemon, or by solvents such as kerosene. Do not spray water at the trimmer, moisture can cause an electric shock hazard. Wipe the unit with a cloth.

Never repair damaged cutting attachments by welding, straightening or modifying the shape. This may cause parts of the cutting tool to come off and result in serious or fatal injuries.

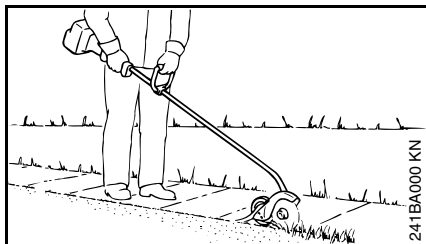
Check condition of cutting tool at regular short intervals. If behavior of tool changes, check it immediately for tightness or any signs of cracks in particular. Replace damaged or dull cutting tools immediately, even if they have only superficial cracks.

Tighten all nuts, bolts and screws after each use.

Store electric edger indoors in a dry, high or locked location and out of reach of children.

**SAVE THESE
INSTRUCIONS!**

Working Techniques

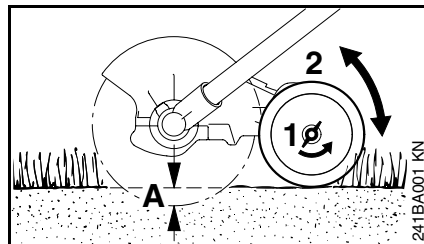


Your elektro edger is designed to produce sharp contoured borders around lawns and flower beds. It will cut almost all types of grass, weeds and soft green plants.

Preparations

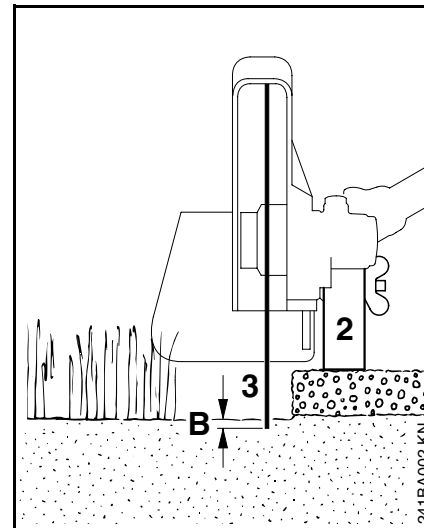
If the soil is very dry, spray it with water before you start work: this softens the soil a little and also reduces the amount of dust created. Slightly damp green plants are easier to cut.

- Inspect the work area and clear away any obstacles (stones, gravel, glass, etc.) to reduce the risk of injury from thrown objects.
- Plan the best route for edging, i.e. starting point, changes in direction, etc. Always hold and operate your edger on the right-hand side of the body.



Adjusting the depth of cut

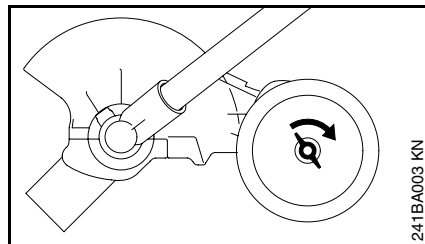
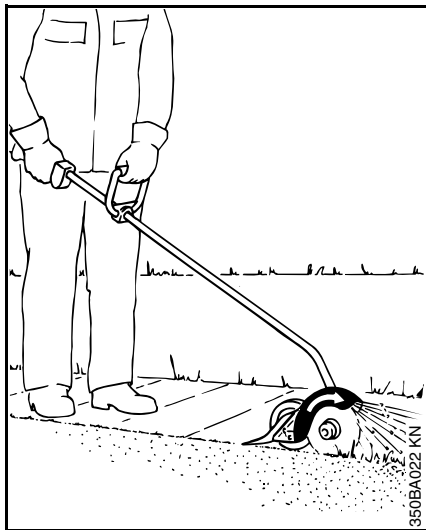
- Shut off the engine and wait for the cutting blade to come to a complete standstill.
- Loosen wingnut (1) counterclockwise
- Adjust wheel (2):
Upwards to increase depth of cut (A).
Downwards to reduce depth of cut (A).



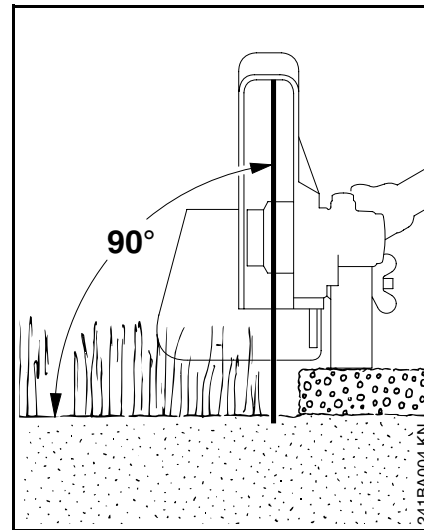
Adjust correctly

The depth of cut varies, depending on unevenness of the ground, your height and the way you hold the edger.

- Use the following procedure:
Adjust the wheel (2) so that the cutting blade (3) just touches the ground or breaks the surface of the soil by no more than 5 mm (0,2") (B) in the normal working position.



- Tighten wingnut clockwise.
- Standing in the normal working position, check the depth of cut again and correct it if necessary.



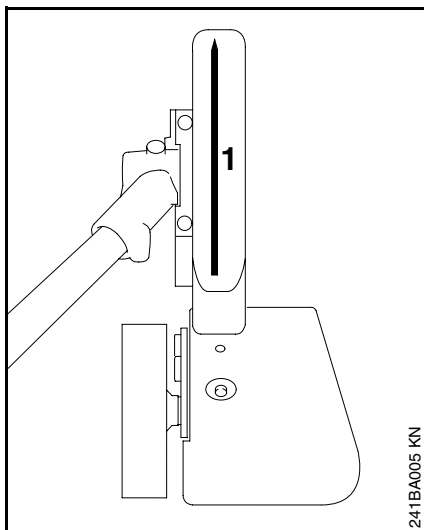
⚠ Do not adjust the deflector!

The deflector has been set by the manufacturer so that the arrow on the deflector and the open side point away from the operator. This ensures that cuttings and other debris will be directed away from the machine and operator.

Edging

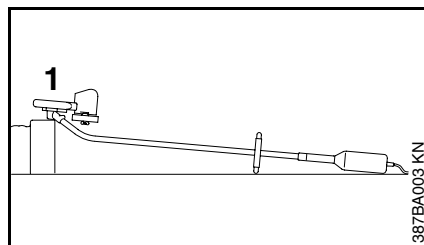
- Switch on the edger - then start the cut.
- Hold and guide the unit so that the blade is vertical.
- Cut steadily so that the motor speed remains constant – do not use force.
- Cut at a normal walking pace.
- Do not push the blade into the ground!

Fitting the Cutting Blade

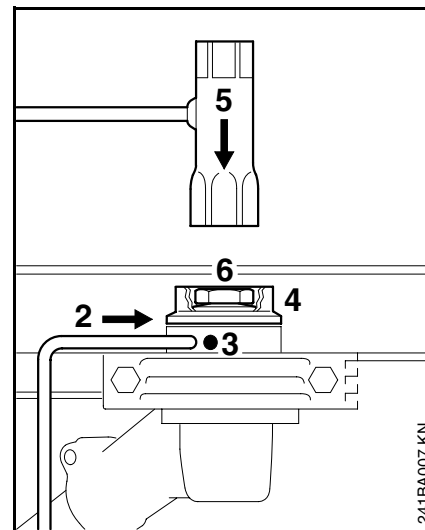


- Always walk forwards when cutting, do not pull the unit towards you.
- Cut at a steady pace to avoid having to make several passes.

1 = Gunning sight for cutting blade.

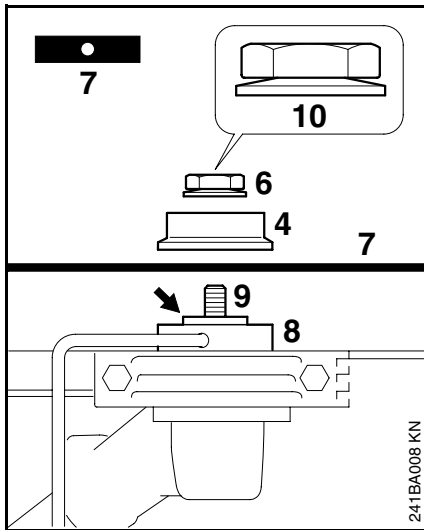


- Place the elektro edger on a suitable support so that the blade mounting (1) faces upwards.

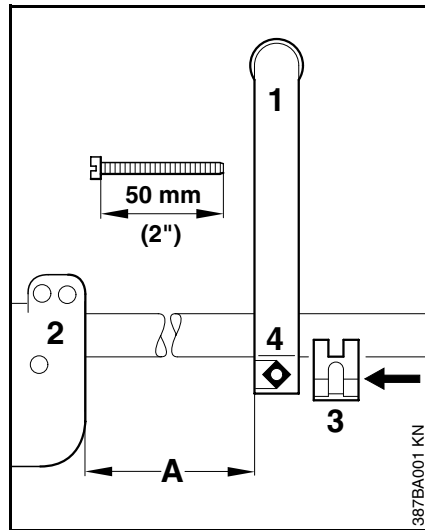


- Insert the Allen wrench (2) as far as possible in the bore (3) – push lightly and rotate it back and forth **together** with the thrust washer (4) until the drive shaft blocks.
- Fit combination wrench (5) on the nut (6).
- Turn nut clockwise (left-hand thread) and remove it.
- Remove the thrust washer

Mounting the Loop Handle

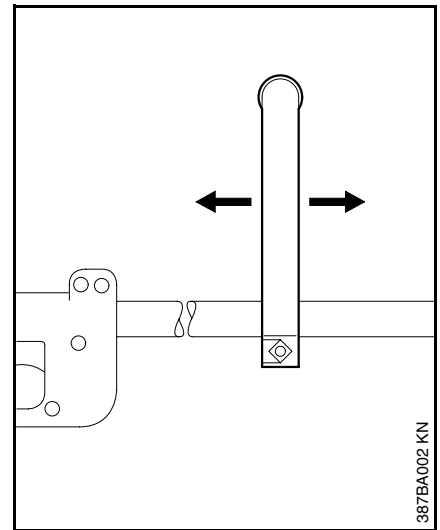


- Position blade (7) on the thrust plate (8).
 ▲ Collar (arrow) must project into the hole in the blade!
- Fit thrust washer (4) on drive shaft (9).
- Block drive shaft.
- Screw nut (6) onto drive shaft counterclockwise and tighten it.
- ▲ Fit a new nut if the spring washer (10) on the nut (6) loses its resilience after a prolonged period!



Mounting loop handle

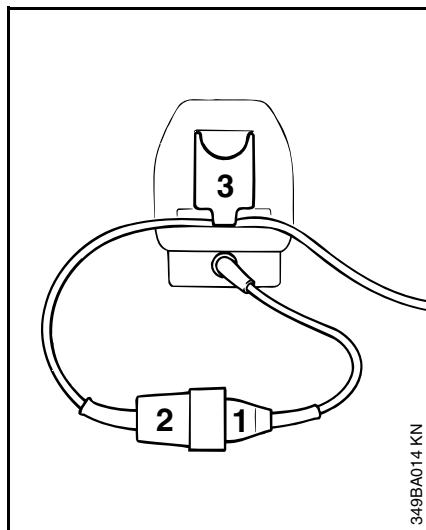
- Fit the loop handle (1)
- on the drive tube - 30 cm (12") (A) forward of the control handle (2)
- Position the clamp (3) against the drive tube and slide it into the loop handle.
- Fit square nut (4) in the loop handle, insert the clamp screw (5) from the other side and tighten down securely.



Adjusting loop handle to most comfortable position:

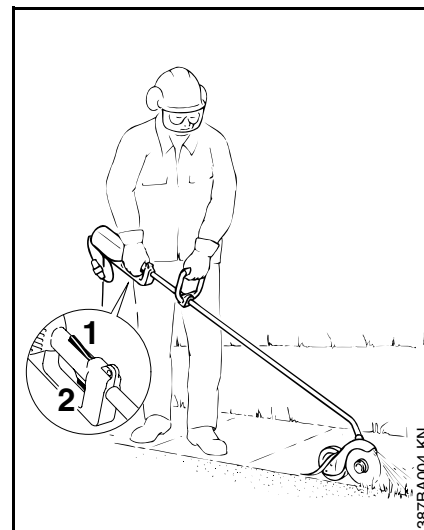
- Release clamp screw.
- Slide the loop handle along the drive tube to the required position - retighten the clamp screw.

Starting



120 V version:

- up to 100 ft 16 AWG
- 100 to 150 ft 14 AWG
- Insert unit's plug (1) in extension cord coupling (2).
- Swing the flap (3) outward and push extension cord into the recess.
- Let go of the flap.



Connecting to power supply

The voltage of your power supply and the voltage specified on the unit must be the same. Use an extension cord specifically approved for outdoor applications.

Minimum cross sectional area of extension cord wires:

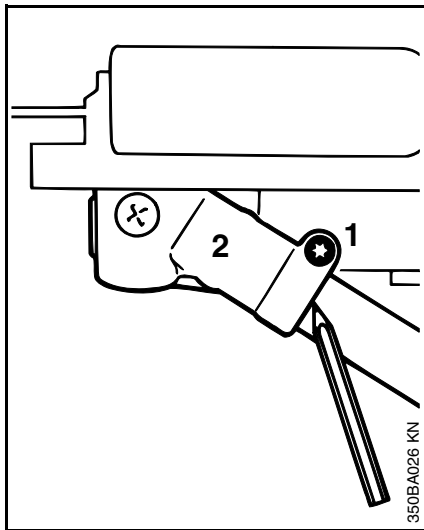
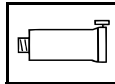
- up to 25 m: 1 mm²
- more than 25 m: 1.5 mm²

Switching On/Off

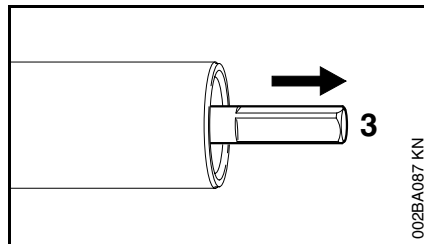
- Make sure you have a secure and balanced footing.
- Hold your edger with both hands - one hand on the control handle - the other hand on the loop handle..
- Stand upright - hold the edger in a relaxed position - always on the right side of your body.
- Do not rest the cutting blade on the ground.
- Press down the starting lockout lever (1) and squeeze the trigger (2).

To switch off, release the starting lockout lever and trigger.

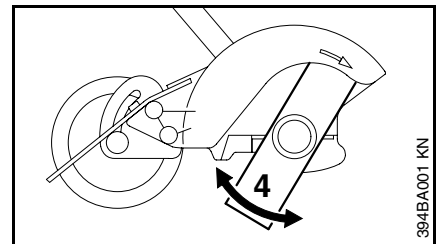
Lubricating Flexible Shaft



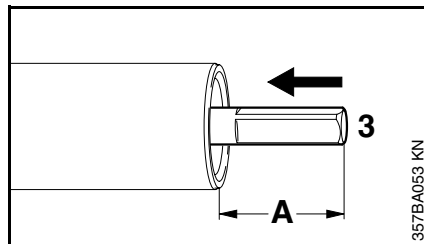
- Check film of lubricant at regular intervals - once weekly if you use your power edger daily or every 25 hours of operation if you use your power edger occasionally.
- Mark the end of the gear head on the drive tube (see illustration). Release the clamp screw (1). Pull the gear head (2) off the drive tube.



- Pull the flexible shaft (3) out of the drive tube.
- Coat shaft with STIHL gear lubricant for hedge trimmers*. Never pump grease into the drive tube.
- If shaft has turned blue, fit a new one.

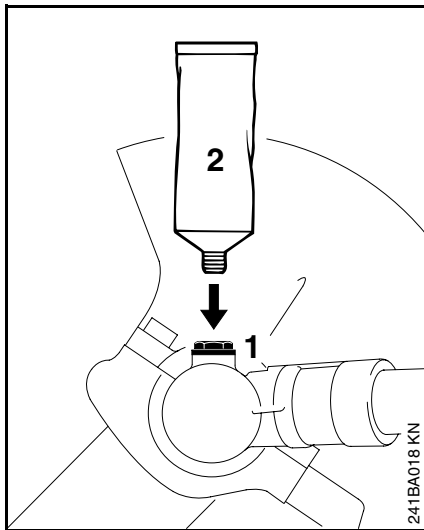
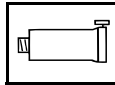


- Slide the drive tube into the gear head - turn the blade (4) back and forth until mark is reached.
- Line up the gear head.
- Tighten down the clamp screw.



- Push shaft (3) into the drive tube - turn it to and fro until distance A is less than 20 mm (3/4").

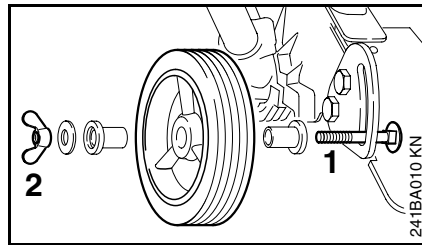
Gearbox Lubrication



- Check grease level regularly, about every 25 hours of operation.
- Unscrew the filler plug (1). If no grease can be seen on the inside of the filler plug, screw the tube (2) of STIHL gear lubricant for brushcutters * into the filler hole.
- Squeeze 5 – 10 g (0,01 – 0,02 lb) grease into the gear housing.
⚠ Do not completely fill the gear housing with grease.
- Refit and tighten the filler plug.

* See "Special Accessories".

Replacing the Depth Wheel

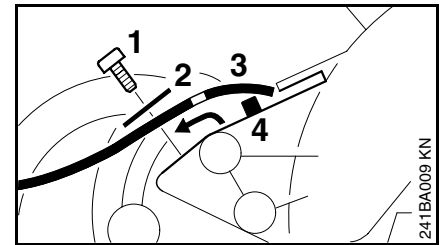


Have worn depth wheel replaced by your STIHL dealer.

The end of the thread on screw (1) is caulked to ensure that the wingnut (2) does not work loose and be lost.

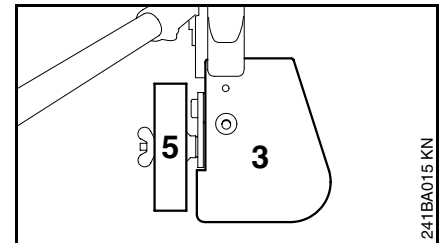
A **very high torque** has to be applied to remove the wingnut from the screw. If the parts are then reassembled, the captive function is no longer guaranteed. In such a case the screw and wingnut should be replaced by your STIHL dealer.

Replacing the Skirt



Removing the skirt

- Release and remove screw (1) along with washer (2).
- Pull the skirt (3) off the lug (4) and out of the deflector

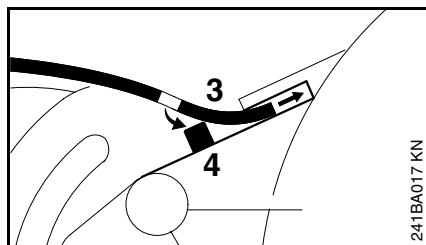


Position of skirt

- Position the skirt (3) correctly in relation to depth wheel (5):
If wheel is on left, the skirt must project to the right.

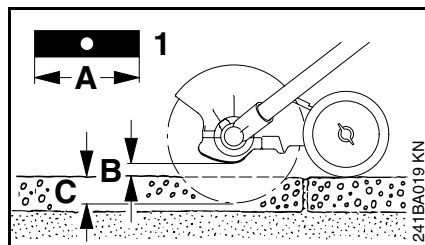
Replacing the Cutting Blade

Storing the Machine



Fitting the skirt

- Push the skirt (3) into the slot in the deflector until it can be engaged on the lug (4).
- Fit the washer on the screw.
- Insert screw and tighten it down firmly.



Never attempt to repair a bent, warped or cracked blade by straightening or welding – it may shatter at high speed and cause serious or fatal injury. Replace such a blade with an original STIHL cutting blade, part number 4133 713 4101 (marking 33/01).

- Replace the blade (1) when length (A) is no longer sufficient to obtain the required depth of cut (C) and maintain an adequate ground clearance (B).
- To avoid out-of-balance: check cutting blade on STIHL balancer 5910 850 2600.
- Do not sharpen the blade.

For periods of three months or more:

- Remove, clean and inspect the cutting blade.
- Thoroughly clean the machine, paying special attention to the cooling air inlets.
- Store the machine in a dry and safe place, out of the reach of children and other unauthorized users.

Key to Symbols

This instruction manual refers to models with different scopes of supply. Parts or features not included in all models and their resultant applications are marked thus *. Parts not included in the standard scope of supply, marked *, are available as special accessories from your STIHL dealer.

Scope of supply / equipment


STIHL maintains a continuous program of updating its equipment and tools to the very latest standards. For this reason we may modify the design, engineering and appearance of our products periodically.

Therefore, we cannot be responsible for changes, modifications or improvements not covered in this manual.

Maintenance and Repairs

The user of this unit should carry out only the maintenance operations described in this manual. Other repair work may be performed only by an authorized STIHL dealer.

Warranty claims following repairs can be accepted only if the repair has been performed by an authorized STIHL dealer using original STIHL replacement parts.

Original STIHL parts can be identified by the STIHL part number, the **STIHL** logo and the STIHL parts symbol . The symbol may appear alone on small parts.

Specifications

Motor

| | |
|--------------------------------------|------------|
| Rating: | 660 W |
| Rated current: | 5.5 A |
| Voltage: | 120 V |
| Frequency: | 60 Hz |
| Rated speed with blade fitted: | 7,100 rpm |
| No-load idle speed with blade fitted | 12,000 rpm |
| Fuse: | 15 A |

Weight

| | |
|-------------|-----------------|
| with blade: | 5.0 kg (11 lbs) |
|-------------|-----------------|

Bystander sound level

| | |
|------------|------------|
| (at 50 ft) | 69.5 dB(A) |
|------------|------------|

Dimensions

| | |
|-------------------------|-----------------|
| Overall length of edger | 1830 mm (72 in) |
|-------------------------|-----------------|

Special Accessories

| | |
|-------------------------|---------------|
| Cutting blade 200 mm | 4133 713 4101 |
| Skirt | 4133 716 3200 |

Depth wheel

| | |
|--|---------------|
| Diameter 127 mm (5.0 in), width 32 mm (1.26 in) | 4133 712 1000 |
|--|---------------|

Safety Goggles
Allen wrench

STIHL gear lubricant for hedge trimmers

| | |
|---------------|---------------|
| 80g/3oz tube | 0781 120 1109 |
| 225g/8oz tube | 0781 120 1110 |

STIHL gear lubricant for brushcutters

| | |
|---------------|---------------|
| 80g/3oz tube | 0781 120 1117 |
| 225g/8oz tube | 0781 120 1118 |

englisch / english