

STIHL FC-MM

Instruction Manual
Manual de instrucciones



! WARNING

Read Instruction Manual thoroughly before use and follow all safety precautions – improper use can cause serious or fatal injury.

! ADVERTENCIA

Antes de usar la máquina lea y siga todas las precauciones de seguridad dadas en el manual de instrucciones – el uso incorrecto puede causar lesiones graves o mortales.



Instruction Manual

1 - 15

Manual de instrucciones

16 - 32

Contents

MultiSystem	2
Guide to Using this Manual	2
Safety Precautions and Working Techniques	3
Using the Unit	9
Approved MultiEngines	10
Mounting the MultiTool	10
Starting / Stopping the Engine	11
Storing the Machine	12
Maintenance and Care	12
Main Parts	13
Specifications	14
Maintenance and Repairs	14
Disposal	14
Trademarks	15

Allow only persons who fully understand the manuals of the MultiEngine and edger MultiTool to operate this power tool combination.

To receive maximum performance and satisfaction from your STIHL MultiTool, it is important that you read, understand and follow the safety precautions and the operating and maintenance instructions in chapter "Safety Precautions and Working Techniques" before using your MultiTool. For further information you can go to www.stihlusa.com.

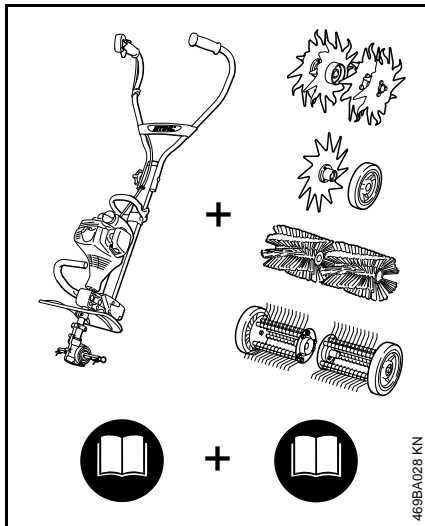
Contact your STIHL dealer or the STIHL distributor for your area if you do not understand any of the instructions in the two manuals.

WARNING

Because a MultiEngine equipped with an edger MultiTool is a power tool with a relatively fast turning attachment some special safety precautions must be observed to reduce the risk of personal injury. Careless or improper use may cause serious or even fatal injury.

STIHL

MultiSystem



In the STIHL MultiSystem, various MultiEngines and MultiTools are combined to form a machine. In this Instruction Manual, the functional unit of MultiEngine **and** MultiTool is referred to as a machine.

Accordingly, the instruction manuals for the MultiEngine and the MultiTool constitute the entire Instruction Manual for the machine.

Always read **both** manuals carefully before using your machine for the first time and keep them safe for future reference.

Guide to Using this Manual

Pictograms

All the pictograms attached to or embossed on the machine are shown and explained in this manual.

Symbols in Text

Many operating and safety instructions are supported by illustrations.

The individual steps or procedures described in the manual may be marked in different ways:

- A bullet marks a step or procedure.

A description of a step or procedure that refers directly to an illustration may contain item numbers that appear in the illustration. Example:

- Loosen the screw (1).
- Lever (2) ...

In addition to the operating instructions, this manual may contain paragraphs that require your special attention. Such paragraphs are marked with the following symbols and signal words:

DANGER

Indicates a hazardous situation that, if not avoided, will result in death or serious injury.

WARNING

Indicates a hazardous situation that, if not avoided, could result in death or serious injury.

NOTICE

Indicates a risk of property damage, including damage to the machine or its individual components.

Engineering Improvements

STIHL's philosophy is to continually improve all of its products. As a result, engineering changes and improvements are made from time to time. Therefore, some changes, modifications and improvements may not be covered in this manual. If the operating characteristics or the appearance of your machine differs from those described in this manual, please contact your STIHL dealer or the STIHL distributor for your area for assistance.

Safety Precautions and Working Techniques



Because a MultiEngine equipped with an edger MultiTool is a high-speed power tool, special safety precautions must be observed to reduce the risk of personal injury.



It is important that you read, fully understand and observe the following safety precautions and warnings. Read the instruction manuals and the safety precautions of your MultiEngine and MultiTool periodically. Careless or improper use may cause serious or fatal injury.

Have your STIHL dealer show you how to operate your power tool. Observe all applicable local safety regulations, standards and ordinances.

WARNING

Do not lend or rent your power tool without the instruction manuals of your MultiEngine and MultiTool. Be sure that anyone using it understands the information contained in these manuals.

WARNING

The use of this machine may be hazardous. If the rotating blade comes in contact with your body, it will injure you. When it comes in contact with solid foreign objects such as rocks or bits of metal, it may fling them directly or by

ricochet in the direction of bystanders or the operator. Striking such objects could damage the MultiTool and may cause blades to crack, chip or break. Thrown objects, including broken blades, may result in serious or fatal injury to the operator or bystanders.

STIHL does not recommend the use of the edger when working in stony areas.

Use your MultiEngine equipped with the edger MultiTool only for edging in grass, weeds and soft green plants.

WARNING

Do not use it for other purposes, since misuse may result in personal injury or property damage, including damage to the machine.

WARNING

Minors should never be allowed to use this power tool. Bystanders, especially children, and animals should not be allowed in the area where it is in use.

WARNING

To reduce the risk of injury to bystanders and damage to property, never let your power tool run unattended. When it is not in use (e.g. during a work break), shut it off and make sure that unauthorized persons do not use it.

Most of these safety precautions and warnings apply to the use of all STIHL power tools. Different models may have different parts and controls. See the appropriate section of your MultiEngine and MultiTool instruction manuals for a description of the controls and the function of the parts of your model.

Safe use of a power tool involves

1. the operator
2. the power tool
3. the use of the power tool.

THE OPERATOR

Physical Condition

You must be in good physical condition and mental health and not under the influence of any substance (drugs, alcohol, etc.) which might impair vision, dexterity or judgment. Do not operate this machine when you are fatigued.

WARNING

Be alert – if you get tired, take a break. Tiredness may result in loss of control. Working with any power tool can be strenuous. If you have any condition that might be aggravated by strenuous work, check with your doctor before operating this machine.

Proper Clothing

WARNING

To reduce the risk of injury, the operator should wear proper protective apparel.

The suitable deflector for your power tool will not protect the operator from all foreign objects (stones, glass, wire, etc.) thrown back by the rotating attachment. Thrown objects may also ricochet and strike the operator.

! WARNING



To reduce the risk of injury to your eyes never operate your power tool unless wearing goggles or properly fitted protective glasses with adequate top and side protection complying with ANSI Z87 "+" (or your applicable national standard).

Power tool noise may damage your hearing. Wear sound barriers (ear plugs or ear muffers) to protect your hearing. Continual and regular users should have their hearing checked regularly.

Be particularly alert and cautious when wearing hearing protection because your ability to hear warnings (shouts, alarms, etc.) is restricted.



Always wear heavy duty work gloves (e.g. made of leather or other wear resistant material) when handling the power tool and the attachment. Heavy-duty, nonslip gloves improve your grip and help to protect your hands.



Clothing must be sturdy and snug-fitting, but allow complete freedom of movement. Wear long pants made of heavy material to help protect your legs. Do not wear shorts, sandals or go barefoot.

Avoid loose-fitting jackets, scarfs, neckties, jewelry, flared or cuffed pants, unconfined long hair or anything that could become caught on branches, brush or the moving parts of the unit. Secure hair so it is above shoulder level.



Good footing is very important. Wear sturdy boots with nonslip soles. Steel-toed safety boots are recommended.

For further instructions on proper clothing see the safety precautions in the instruction manual of the MultiEngine you are using.

THE POWER TOOL (MULTIENGINE EQUIPPED WITH EDGER MULTITOOL)

For illustrations and definitions of the power tool parts see the chapter on "Main Parts."

! WARNING

Never modify this power tool in any way. Only attachments supplied by STIHL and expressly approved by STIHL for use with the specific STIHL power tool models are authorized. Although certain

unauthorized attachments are useable with STIHL power tools, their use may, in fact, be extremely dangerous.

If this tool is subjected to unusually high loads for which it was not designed (e.g. heavy impact or a fall), always check that it is in good condition before continuing work. Check in particular that the fuel system is tight (no leaks) and that the controls and safety devices are working properly. Do not continue operating this machine if it is damaged. In case of doubt, have it checked by your STIHL servicing dealer.

THE USE OF THE POWER TOOL (MULTIENGINE EQUIPPED WITH EDGER MULTITOOL)

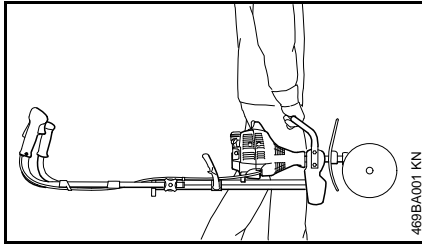
Transporting the Power Tool

! WARNING

To reduce the risk of injury from loss of control and MultiTool contact, never carry or transport your power tool with the MultiTool moving.

! WARNING

Always switch off the engine and make sure the MultiTool has stopped before putting a power tool down.



Grip the power tool by the carrying handle with the attachment facing forward.

! WARNING

When transporting it in a vehicle, properly secure it to prevent turnover, fuel spillage and damage to the unit.

Before Starting

! WARNING

Always check your power tool for proper condition and operation before starting. Never attempt to modify the controls or safety devices.

! WARNING

Never operate your power tool if it is damaged, improperly adjusted or maintained, or not completely or securely assembled.

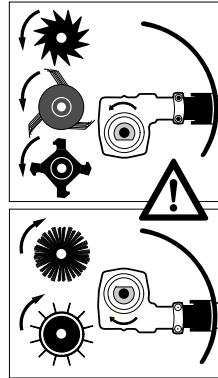
Unfold the bike handle into the working position and secure it with the knob (see chapter "Adjusting the bicycle handle" of your MultiEngine instruction manual.)

Keep the handles clean and dry at all times; it is particularly important to keep them free of moisture, pitch, oil, fuel mix,

grease or resin in order for you to maintain a firm grip and properly control your power tool.

! WARNING

To reduce the risk of injury from the MultiTool rotating in the wrong direction, check that the position of the gearbox is correct and change it if necessary.



On metal tools (top illustration), position the gearbox so that the shaft is below the drive tube.

Use for:

- BF-MM cultivator blades with pointed tines
- BK-MM cultivator blades with curved tines
- FC-MM edger
- RL-MM aerator
- MF-MM dethatcher

! WARNING

The MultiTool must be properly tightened and in safe operating condition. Inspect for loose parts (hitch pins, screws, etc.) and for cracked, bent, warped or damaged blades. Replace damaged blades before using the power tool.

! WARNING

Do not attach any MultiTool to a unit without proper installation of all required parts. Failure to use the proper parts may cause the attachment to fly off and seriously injure the operator or bystanders.

! WARNING

To reduce the risk of injury from thrown objects and contact with the attachment, never operate your power tool without a properly mounted deflector.

Check your MultiTool instruction manual to ensure you are using the appropriate deflector for the MultiTool mounted.

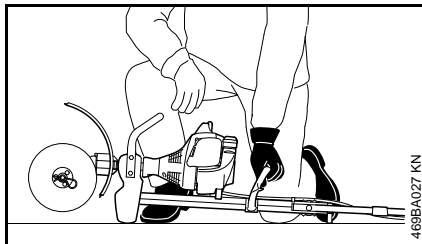
Starting

! WARNING

Start the engine at least 10 feet (3 m) from the fueling spot, outdoors only.

For specific starting instructions, see the appropriate section of your MultiEngine and MultiTool manuals.

Place the power tool on firm ground or other solid surface in an open area. Maintain good balance and secure footing.



! WARNING

Always stand to one side of the unit to avoid the risk of injury from contact with the rotating MultiTool.

! WARNING

To reduce the risk of injury from loss of control, be absolutely sure that the MultiTool is clear of you and all other obstructions and objects, including the ground, because when the engine starts at starting-throttle, engine speed will be fast enough for the clutch to engage and move the MultiTool.

Once the engine has started, immediately blip the throttle trigger, which should release the starting throttle and allow the engine to slow down to idle.

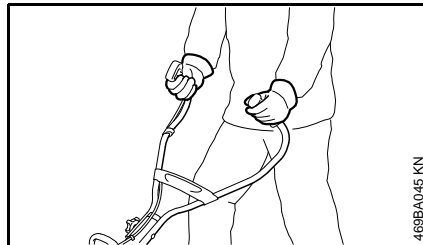
! WARNING

Your power tool is a one-person machine. Do not allow other persons in the general work area, even when starting.

See also the safety precautions on Starting in the instruction manual of the MultiEngine.

During Operation

Holding and Controlling the Power Tool



Always hold the unit firmly with both hands on the handles while you are working. Wrap your fingers and thumbs around the handles, keeping the handles cradled between your thumb and forefinger. Keep your hands in this position to have your power tool under control at all times.

! WARNING



Never attempt to operate your power tool with one hand. Loss of control of the power tool may result in serious or fatal injury. To reduce the risk of injury, keep hands and feet away from the MultiTool. Never touch a moving MultiTool with your hand or any other part of your body.

! WARNING

Do not overreach. Keep proper footing and balance at all times. Special care must be taken in slippery conditions (wet ground, snow) and in difficult, overgrown terrain. Watch for hidden obstacles such as tree stumps, roots and ditches to

avoid stumbling. For better footing, clear away scrub and cuttings. Be extremely cautious when working on slopes or uneven ground.

Operate the power tool only at a normal walking pace.

! WARNING

To avoid the risk of injury from contact with the rotating attachment, be extremely cautious when pulling the power tool toward you.

Be extremely cautious when changing direction with the power tool – especially on slopes.

! WARNING

To avoid the risk of injury from loss of control, never work on steep slopes.

Working Conditions

Start and operate your power tool only outdoors in a well-ventilated area. Operate it under good visibility and daylight conditions only. Work carefully.

! WARNING

If the soil being worked on or the surrounding ground is coated with a chemical substance (such as an active pesticide or herbicide), read and follow the instructions and warnings that accompany the substance at issue.

! WARNING

Inhalation of certain dusts, especially organic dusts such as mold or pollen, can cause susceptible persons to have an allergic or asthmatic reaction.

Substantial or repeated inhalation of dust and other airborne contaminants, in particular those with a smaller particle size, may cause respiratory or other illnesses. Control dust at the source where possible. Use good work practices, such as operating the unit so that the wind or operating process directs any dust raised by the power tool away from the operator. Follow the recommendations of EPA / OSHA / NIOSH and occupational and trade associations with respect to dust ("particulate matter"). When the inhalation of dust cannot be substantially controlled, i.e., kept at or near the ambient (background) level, the operator and any bystanders should wear a respirator approved by NIOSH / MSHA for the type of dust encountered.

! DANGER

Your power tool is not insulated against electric shock. To reduce the risk of electrocution, ensure that there are no power cables near the surface or in the working area that could come into contact with the MultiTool. Damaging such cables with the tool can cause electric shocks with serious or fatal consequences.

Information on the routing of cables can be obtained from public utilities and such service providers as "Miss Utility" or "One Call."

! WARNING

Use the power tool at ground level only. The risk of injury is increased if you use MultiTools above ground level because they are more exposed and the power tool is more difficult to control.

Operating Instructions**! WARNING**

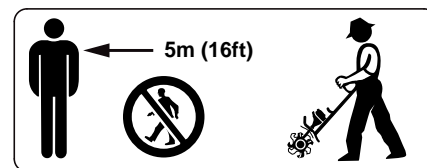
Do not operate your power tool using the starting throttle lock, as you do not have control of the engine speed.

In the event of an emergency, switch off the engine immediately – move the slide control / stop switch to **0** or **STOP**.

! WARNING

The MultiTool continues to rotate for a short period after the throttle trigger is released (flywheel effect).

If the MultiTool or deflector becomes clogged or stuck, always switch off the engine and make sure the attachment has stopped before cleaning. Grass, weeds, etc. should be cleaned off the attachment as necessary.



To reduce the risk of eye and other injury always wear proper eye protection (see the chapter on "Proper Clothing") and ensure that bystanders are at least 16 feet (5 m) away. To reduce the risk of damage to property, also maintain this distance from such objects as vehicles or windows. Even maintaining a minimum distance of 5 meters cannot exclude the potential danger. Any coworkers who must be in the restricted area should also wear goggles or protective glasses. Stop the engine immediately if you are approached.

! WARNING

Before you start work, examine the area for stones, glass, pieces of metal, rubbish or other solid objects. Such objects could be hurled by the cutting tool and directly or indirectly strike the operator or bystanders. Such objects may also damage the MultiTool. The

blade may shatter, splinter or break. Flying objects or damaged blades may cause serious or fatal injury to the operator and bystanders.

Do not use the edger MultiTool on gravel surfaces.

 **WARNING**

Never divert discharge of material toward bystanders nor allow anyone near the area of operation. Use care in directing discharge to avoid damage to surfaces, automobiles, and the like.

 **WARNING**

Avoid cutting close to fences, sides of buildings, tree trunks, stones or similar obstacles which could damage the blade or lead to loss of control of the unit. Be aware of a higher risk of ricochets in such conditions. Flying objects or damaged blades may cause serious or fatal injuries to the operator and bystanders.

If the machine strikes a foreign object (such as a stone), stop the engine and remove the obstacle. Examine the machine for signs of damage before continuing.

 **WARNING**

If a rotating metal blade strikes a rock or other hard object, sparks may be created, which can ignite flammable materials under certain circumstances. Flammable materials can include dry vegetation and brush, particularly when weather conditions are hot and dry. When there is a risk of fire or wildfire, do not use metal blades around flammable materials or around dry vegetation or

brush. Contact your local fire authorities or the U.S. Forestry Service if you have any question about whether vegetation and weather conditions are suitable for the use of a metal blade.

 **WARNING**

Check the tightness and condition of the MultiTool at regular intervals during cutting. If the behaviour of the tool changes, stop the engine immediately and examine the tool. Replace a cracked, bent, warped or damaged blade immediately, even if damage is limited to superficial cracks. Such attachments may shatter at high speed and cause serious or fatal injury.

 **WARNING**

The gearbox becomes hot during operation. To reduce the risk of burn injury, do not touch the gear housing when it is hot.

MAINTENANCE, REPAIR AND STORING

 **WARNING**

Always stop the engine and make sure that the attachment is stopped before doing any maintenance or repair work or cleaning the power tool. Do not attempt any maintenance or repair work not described in your MultiEngine and MultiTool instruction manuals. Have such work performed at your STIHL servicing dealer only.

 **WARNING**

Use only identical STIHL replacement parts for maintenance and repair. Use of non-STIHL parts may cause serious or fatal injury.

Wear gloves when handling or performing maintenance on blades.

 **WARNING**

Never repair damaged attachments by welding, straightening or modifying the shape. This may cause parts of the attachment to come off and result in serious or fatal injuries.

Use only identical STIHL replacement parts for maintenance and repair. Use of non-STIHL parts may cause serious or fatal injury.

Tighten all nuts, bolts and screws, except the carburetor adjustment screws, after each use.

Do not clean your machine with a pressure washer. The solid jet of water may damage parts of the machine.

Store the power tool in a dry and high or locked location out of reach of children.

Using the Unit



Your FC-MM power edger MultiTool is designed to produce sharp contoured edges around lawns. It will cut almost all types of grass, weeds and soft green plants.

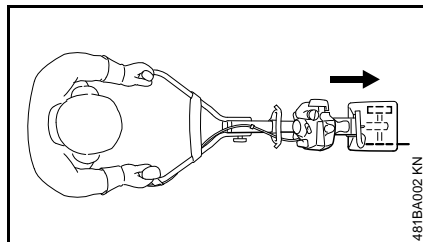
Preparations

If the soil is very dry, spray it with water before you start work: this softens the soil a little and also reduces the amount of dust created. Slightly damp green plants are easier to cut.

WARNING

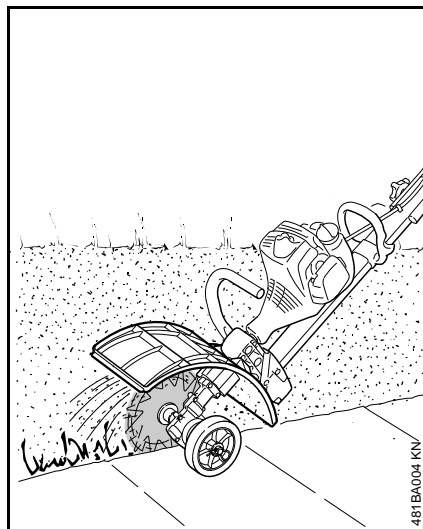
Clear away all obstacles and solid objects from the work area.

- Plan the best route for edging.



Operate the MultiEngine with FC-MM edger in the forward direction only.

The blade may only be mounted and operated in one position. Arrows on the blade show the required direction of rotation – see chapter on "Mounting the MultiTool".

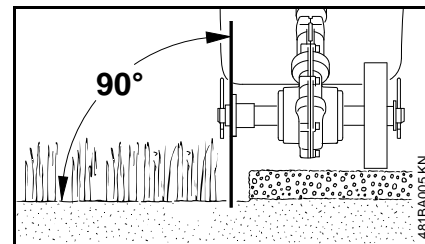


WARNING

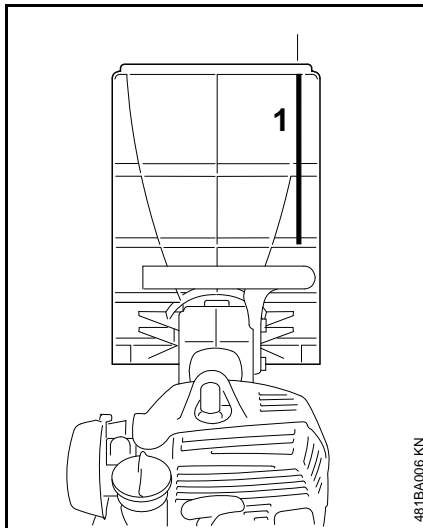
Never work without the deflector!

The deflector ensures that cuttings and other debris are directed away from the machine and operator.

Edging



- Secure the handlebar in the normal operating position.
- Start the engine.
- Start the cut at no less than half throttle and continue cutting at full throttle.
- Hold and guide your edger so that the blade is vertical.
- Cut steadily so that the engine is not lugged down – do not apply force.
- Cut at no more than a normal walking pace.
- Do not push the blade into the ground.
- Always walk forwards when cutting, do not pull the unit towards you.
- Edge at a steady pace to avoid having to make several passes.



- Use the gunning sight (1) to line up the blade on the edge.

Cleaning the blade

Pieces of grass or roots may become tightly wrapped around blade mounting during operation. Clean the blade as follows:

- Shut off the engine.
- Wear work gloves.
- Pull the hitch pins out of the axle.
- Pull the blade off the axle.
- Remove pieces of roots, plants and soil.

Refer to "Mounting the MultiTool" for mounting instructions.

Approved MultiEngines

Only use MultiEngines supplied by STIHL or expressly approved by STIHL for use with the MultiTool.

This MultiTool may only be used in combination with the STIHL MM 56 MultiEngine.

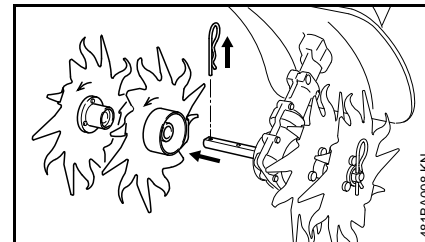
Mounting the MultiTool

Removing Existing MultiTools



WARNING

Wear gloves to reduce the risk of injury from contact with sharp MultiTools and/or hot surface of gearbox.



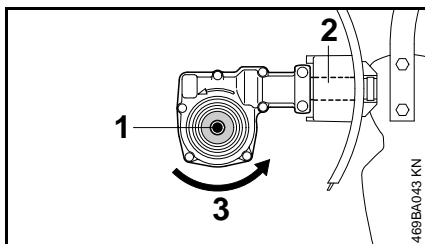
- Remove the hitch pins and pull the MultiTools (if fitted) off the axle – see also "Mounting the MultiTool" in the instruction manual of the other MultiTool.
- Clean the gearbox if necessary.

Checking Position of Gearbox



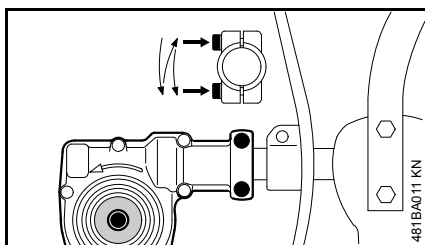
WARNING

To reduce risk of injury from the MultiTool rotating in the wrong direction, check that position of gearbox is correct and adjust if necessary.



The axle (1) must be below the shaft (2).
Direction of rotation (3) of MultiTool.

Adjusting Position of Gearbox



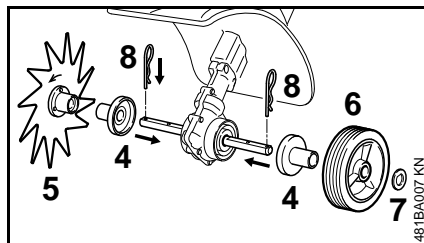
- Loosen clamp screws on gearbox.
- Turn the gearbox through 180°.
- Line up the gearbox in the correct position.
- Tighten down the two clamp screws on the gearbox in the following sequence:
 - Tighten the first screw moderately.
 - Tighten the second screw moderately.
 - Tighten down first screw firmly.
 - Tighten down second screw firmly.

NOTICE

It must not be possible to rotate the gearbox on the drive tube.

Mounting the MultiTool

The direction of rotation is marked with arrows on the gearbox and cutting blade. Make sure the arrows point in the same direction.

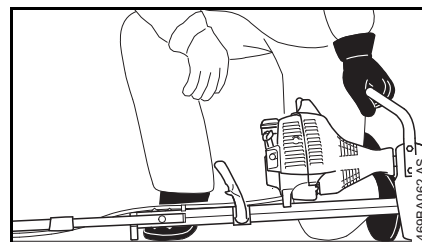
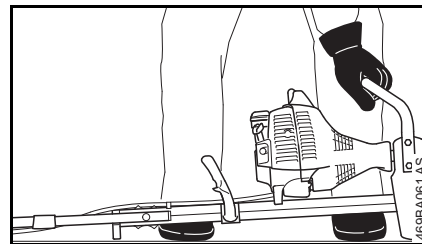


- Fit the two sleeves (4) on the right and left.
- Rotate the blade (5) on the right-hand axle (viewed from engine) until it can be pushed into position – check the direction of rotation again (arrows).
- Push the wheel (6) and washer (7) onto the left-hand axle (viewed from engine).
- Insert and engage both hitch pins (8) in the holes in the axles – fold the hitch pins flat against the blade and wheel.

Starting / Stopping the Engine

Starting the Engine

Always follow the starting procedure described in the MultiEngine instruction manual.



- Secure the handlebar in the normal operating position.
- Retract the wheels, if fitted – see chapter on "Wheels" in MultiEngine instruction manual.
- Retract the spur, if fitted.

- Check that the MultiTool is not touching the ground or any other obstacles. The unit must rest on the engine flange and the support on the frame.
- Make sure you have good balance and secure footing – as shown in the illustration.

 **WARNING**

To reduce the risk of injury from contact with the rotating attachment, always stand to the side of the power tool, never in front of the attachment.

- With your left hand on the loop handle, press the unit **firmly** against the ground – do not touch the throttle trigger or lockout lever.

NOTICE

Do not stand or kneel on the handlebar or frame.

 **WARNING**

The attachment may begin to move as soon as the engine starts. For this reason, blip the throttle after starting – the engine returns to idling speed.

Now follow the starting procedure described in the MultiEngine instruction manual.

Stopping the Engine

- See MultiEngine instruction manual.

Storing the Machine

For periods of 3 months or longer

- Remove, clean and inspect the cutting blade.
- Store the machine in a dry, high or locked location – out of the reach of children and other unauthorized persons.

Maintenance and Care

The following intervals apply to normal operating conditions only. If your daily working time is longer or operating conditions are difficult (very dusty work area, etc.), shorten the specified intervals accordingly.

All accessible screws and nuts

- Retighten if necessary

Wheel

- Visual inspection before starting work
- Replace if necessary

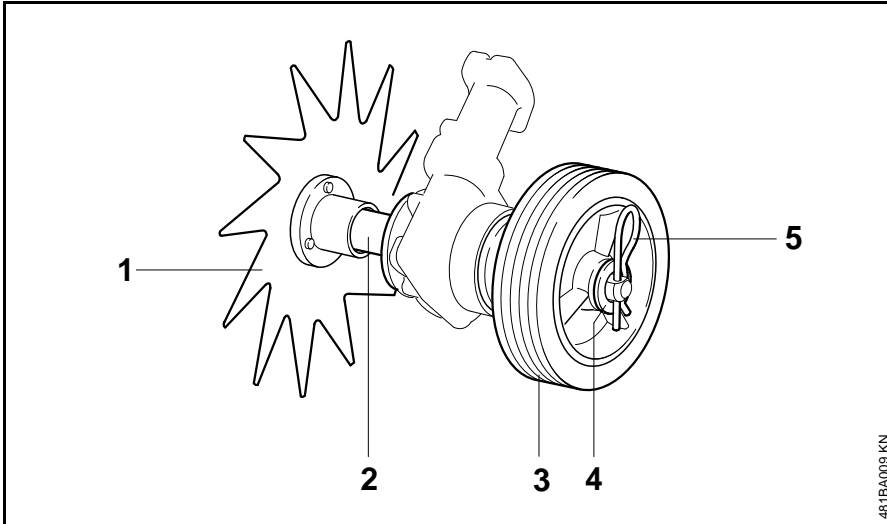
Blade

- Visual inspection, check tightness before starting work and after every refueling stop
- Have checked for out-of-balance if necessary, replace if out-of-balance
- Replace if damaged

Safety labels

- Replace illegible safety labels

Main Parts



- 1 Cutting Blade
- 2 Sleeve
- 3 Depth Wheel
- 4 Washer
- 5 Hitch Pin

Definitions

- 1 **Cutting Blade**
Metal cutting blade for cutting weeds and soft green plants.
- 2 **Sleeve**
Maintains correct distance between cutting blade/depth wheel and gearbox.
- 3 **Depth Wheel**
The depth wheel guides the cutting blade of the edger over the ground at a preset height.
- 4 **Washer**
Protects hub of depth wheel from wear.
- 5 **Hitch Pin**
Secures the attachments and simplifies removal and installation of the attachments.

Specifications

Attachment


Blade
Diameter: 9.1 in (230 mm)

Weight

Edger with wheel: 1.8 lbs (0.8 kg)

Maintenance and Repairs

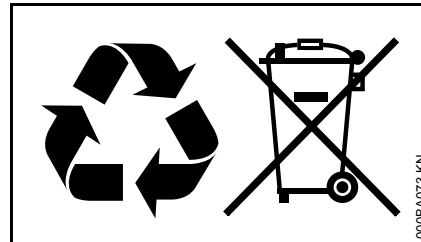
Users of this unit should carry out only the maintenance operations described in this manual. STIHL recommends that other repair work be performed only by authorized STIHL servicing dealers using genuine STIHL replacement parts.

Genuine STIHL parts can be identified by the STIHL part number, the **STIHL** logo and, in some cases, by the STIHL parts symbol . The symbol may appear alone on small parts.

For repairs of any component of this unit's air emissions control system, please refer to the air emissions systems warranty in this manual.

Disposal

Observe all country-specific waste disposal rules and regulations.



STIHL products must not be thrown in the garbage can. Take the product, accessories and packaging to an approved disposal site for environment-friendly recycling.

Contact your STIHL servicing dealer for the latest information on waste disposal.

Trademarks

STIHL Registered Trademarks

STIHL®

STIHL®



The color combination orange-grey
(U.S. Registrations #2,821,860;
#3,010,057, #3,010,058, #3,400,477;
and #3,400,476)



AutoCut®

FARM BOSS®

iCademy®

MAGNUM®

MasterWrench Service®

MotoMix®

OILOMATIC®

FC-MM

ROCK BOSS®

STIHL Cutquik®

STIHL DUROMATIC®

STIHL Quickstop®

STIHL ROLLOMATIC®

STIHL WOOD BOSS®

TIMBERSPORTS®

WOOD BOSS®

YARD BOSS®

Some of STIHL's Common Law Trademarks



4-MIX™

BioPlus™

Easy2Start™

EasySpool™

ElastoStart™

Ematic™

FixCut™

IntelliCarb™

Master Control Lever™

Micro™

Pro Mark™

Quiet Line™

STIHL M-Tronic™

STIHL OUTFITTERS™

STIHL PICCO™

STIHL PolyCut™

STIHL PowerSweep™

STIHL Precision Series™

STIHL RAPID™

STIHL SuperCut™

TapAction™

TrimCut™

This listing of trademarks is subject to change.

Any unauthorized use of these trademarks without the express written consent of ANDREAS STIHL AG & Co. KG, Waiblingen is strictly prohibited.

Contenido

Sistema MultiSystem	17
Acerca de este manual de instrucciones	17
Medidas de seguridad y técnicas de manejo	18
Uso	25
Motores MultiEngine aprobados	26
Montaje de la MultiTool	27
Arranque / parada del motor	28
Almacenamiento de la máquina	29
Información para mantenimiento	29
Componentes importantes	30
Especificaciones	31
Información de reparación	31
Desecho	31
Marcas comerciales	32

Permita que solamente las personas que comprenden la materia tratada en los manuales del motor MultiEngine y de la bordeadora MultiTool manejen esta herramienta motorizada combinada.

Para obtener el rendimiento y satisfacción máximos de la herramienta MultiTool de STIHL, es importante que lea, obedezca y comprenda las precauciones de seguridad y las instrucciones de uso y mantenimiento dadas en el capítulo "Precauciones de seguridad y técnicas de uso", antes de usar la MultiTool. Para obtener más información, puede visitar el sitio www.stihlusa.com.

Comuníquese con el concesionario o distribuidor de STIHL si no se entiende alguna de las instrucciones dadas en los dos manuales.



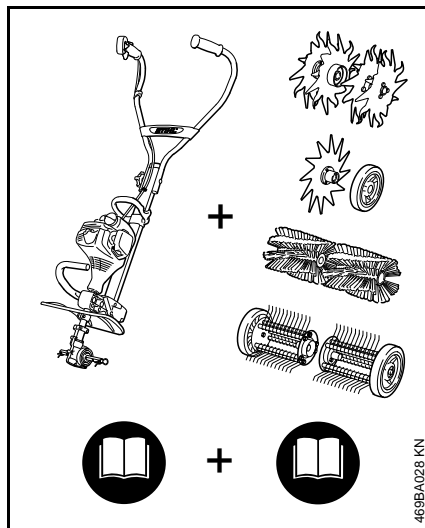
ADVERTENCIA

Dado que el motor MultiEngine equipado con una bordeadora MultiTool es una herramienta poderosa, es necesario tomar medidas especiales de seguridad para reducir el riesgo de lesiones personales. El uso descuidado o inapropiado puede causar lesiones graves e incluso la muerte.

STIHL

Este manual de instrucciones está protegido por derechos de propiedad intelectual. Todos los derechos reservados, especialmente los derechos de reproducción, traducción y procesamiento con sistemas electrónicos.

Sistema MultiSystem



El sistema MultiSystem de STIHL, permite combinar diversos motores MultiEngine y accesorios MultiTool para formar una máquina. En el presente Manual de instrucciones, la unidad funcional compuesta por el motor MultiEngine y el accesorio MultiTool se denomina la máquina.

De modo correspondiente, los manuales de instrucciones del motor MultiEngine y del accesorio MultiTool constituyen el Manual de instrucciones completo de la máquina.

Siempre lea **ambos** manuales detenidamente antes de utilizar la máquina por primera vez y consérvelos en un lugar seguro para consultarlos en el futuro.

Acerca de este manual de instrucciones

Pictogramas

Todos los pictogramas que se encuentran fijados o grabados en la máquina se muestran y explican en este manual.

Símbolos en el texto

Muchas de las instrucciones de uso y seguridad vienen acompañadas de ilustraciones.

Los pasos individuales o procedimientos descritos en el manual pueden estar señalados en diferentes maneras:

- Se usa un punto para denotar un paso o procedimiento.

Una descripción de un paso o procedimiento que se refiere directamente a una ilustración puede contener números de referencia que aparecen en la ilustración. Ejemplo:

- Suelte el tornillo (1).
- Palanca (2)...

Además de las instrucciones de uso, en este manual pueden encontrarse párrafos a los que usted debe prestar atención especial. Tales párrafos están marcados con los símbolos y las palabras identificadoras:

! PELIGRO

Identifica una situación de peligro que, de no evitarse, causará lesiones graves o mortales.

! ADVERTENCIA

Identifica una situación de peligro que, de no evitarse, podría causar lesiones graves o mortales.

INDICACIÓN

Indica el riesgo de daños a la propiedad, incluidos la máquina o sus componentes.

Mejoramientos técnicos

La filosofía de STIHL es mejorar continuamente todos sus productos. Como resultado de ello, periódicamente se introducen cambios de diseño y mejoras. Por lo tanto, es posible que algunos cambios, modificaciones y mejoras no se describan en este manual. Si las características de funcionamiento o la apariencia de su máquina difieren de las descritas en este manual, comuníquese con el concesionario STIHL para obtener la ayuda que requiera.

Medidas de seguridad y técnicas de manejo



Un motor MultiEngine equipado con una bordeadora MultiTool es una herramienta motorizada de alta velocidad. Por eso, es necesario tomar medidas de seguridad especiales para reducir el riesgo de lesiones.



Es importante que usted lea, comprenda bien y respete las siguientes advertencias y medidas de seguridad. Lea periódicamente los manuales de instrucciones y las medidas de seguridad de su MultiEngine y de su MultiTool. Un uso descuidado o inadecuado puede causar lesiones graves o incluso mortales.

Solicite a su concesionario STIHL que le muestre cómo se maneja la herramienta motorizada. Respete todas las disposiciones, los reglamentos y las normas de seguridad locales aplicables.

ADVERTENCIA

No preste ni alquile nunca su herramienta motorizada sin entregar también los manuales de instrucciones de su MultiEngine y de la MultiTool. Asegúrese de que todas las personas que utilicen la máquina han leído y comprendido la información contenida en estos manuales.

ADVERTENCIA

El uso de esta máquina puede ser peligroso. Si la cuchilla giratoria entra en contacto con su cuerpo, le ocasionará una lesión. Cuando entra en contacto con objetos extraños sólidos, como rocas o pedazos de metal, puede arrojarlos directamente o por rebote hacia las personas que se encuentren en la cercanía, o hacia el operador. El contacto con este tipo de objetos puede dañar la MultiTool y hacer que las cuchillas se rompan, se astillen o se agrieten. Los objetos lanzados, entre los que puede haber cuchillas rotas, pueden provocar lesiones graves o mortales al operador o a personas que se encuentren en los alrededores.

STIHL no recomienda el uso de la bordeadora en zonas pedregosas.

Utilice su MultiEngine con la bordeadora MultiTool únicamente para cortar bordes en pasto, malezas y plantas verdes blandas.

ADVERTENCIA

No debe usarse para ningún otro propósito: un uso indebido puede causar lesiones personales o daños a la propiedad, incluidos daños en la máquina.

ADVERTENCIA

En ningún caso se debe permitir a los niños que usen esta herramienta motorizada. No se debe permitir la presencia de otras personas, especialmente niños, ni de animales, en los lugares en los que se esté usando la máquina.

ADVERTENCIA

Para reducir el riesgo de provocar lesiones a personas que se encuentren cerca, así como daños a la propiedad, nunca deje la herramienta motorizada en marcha desatendida. Cuando no esté en uso (por ejemplo, durante un descanso), apáguela y asegúrese de no la pueden usar personas no autorizadas.

La mayor parte de las medidas y advertencias de seguridad incluidas en este manual son aplicables al uso de todas las herramientas motorizadas STIHL. Los distintos modelos pueden tener piezas y controles diferentes. Consulte la sección correspondiente de los manuales de instrucciones de su MultiEngine y de su MultiTool. Allí encontrará una descripción de los controles y de la función de los componentes de su modelo.

El uso seguro de una herramienta motorizada atañe a

1. el operador
2. la herramienta motorizada
3. el uso de la herramienta motorizada.

EL OPERADOR

Condición física

Usted debe estar en buenas condiciones físicas y psíquicas y no encontrarse bajo los efectos de ninguna sustancia (drogas, alcohol, etc.) que le pueda restar visibilidad, destreza o juicio. No maneje esta máquina si está fatigado.

ADVERTENCIA

Esté alerta. Si se cansa, tómese un descanso. El cansancio puede provocar una pérdida del control. El uso de cualquier herramienta motorizada es fatigoso. Si usted padece de alguna dolencia que se pueda ver agravada por la fatiga, consulte a su médico antes de utilizar esta máquina.

Vestimenta adecuada

ADVERTENCIA

Para reducir el riesgo de lesiones el operador debe usar el equipo protector adecuado.

El deflector adecuado para su herramienta motorizada no siempre protege al operador contra todos los objetos extraños (piedras, vidrio, alambre, etc.), arrojados por el accesorio de corte giratorio. Los objetos arrojados o lanzados por el accesorio también pueden rebotar y golpear al operador.

ADVERTENCIA



Para reducir el riesgo de lesionarse los ojos, nunca maneje la herramienta motorizada si no tiene puestas gafas o anteojos de seguridad bien ajustados con una protección adecuada en las partes superior y laterales que satisfagan la norma ANSI Z87 "+" (o la norma nacional correspondiente).

Los ruidos causados por la herramienta motorizada pueden dañar los oídos. Siempre use amortiguadores del ruido (tapones u orejeras) para protegerse los oídos. Los usuarios constantes y habituales deben someterse regularmente a exámenes o controles auditivos.

Esté especialmente alerta y tenga cuidado cuando use protectores para los oídos, ya que reducen la capacidad de oír señales de advertencia (gritos, alarmas, etc.).



Siempre use guantes gruesos (por ejemplo, de cuero o de otro material resistente al desgaste), cuando manipule la herramienta motorizada, la cuchilla y el accesorio de corte. Los guantes gruesos y antideslizantes mejoran el agarre y ayudan a proteger las manos.



La ropa debe ser de confección fuerte y ajustada, pero permitir la completa libertad de movimiento. Use pantalones largos hechos de un material grueso para protegerse las piernas. No use pantalones cortos ni sandalias, y no maneje la máquina con los pies descalzos.

Evite el uso de chaquetas sueltas, bufandas, corbatas, joyas, pantalones acampanados o con vueltas, pelo largo suelto o cualquier cosa que pueda engancharse en las ramas, en los matorrales o en las piezas en movimiento de la máquina. Sujétese el pelo de modo que quede por encima de los hombros.



Es muy importante que sus pies queden bien apoyados sobre el suelo. Lleve botas gruesas con suela antideslizante. Recomendamos el uso de botas de seguridad con puntera de acero.

Encontrará más instrucciones sobre la ropa adecuada en las medidas de seguridad del manual de instrucciones del MultiEngine que está usando.

LA HERRAMIENTA MOTORIZADA (MOTOR MULTIENGINE EQUIPADO CON BORDEADORA MULTITOOL)

Encontrará las ilustraciones y definiciones de los componentes de la herramienta motorizada en el capítulo sobre "Piezas principales".

! ADVERTENCIA

Nunca modifique, de ninguna manera, esta herramienta motorizada. Utilice únicamente accesorios suministrados por STIHL que estén expresamente autorizados por STIHL para su uso con los modelos específicos de herramientas motorizadas de STIHL. Si bien es posible utilizar con la herramienta motorizada de STIHL ciertos accesorios no autorizados, su uso puede ser extremadamente peligroso en la práctica.

Si la máquina se ve expuesta a cargas excesivas para las que no ha sido diseñada (por ejemplo, impactos severos o una caída), siempre asegúrese de que está en buenas condiciones antes de reanudar el trabajo. Compruebe específicamente si el sistema de combustible es estanco (ausencia de fugas), y si los controles y dispositivos de seguridad funcionan como es debido. No siga manejando esta máquina si está dañada. En caso de duda, solicite una revisión al concesionario de servicio de STIHL.

USO DE LA HERRAMIENTA MOTORIZADA (MOTOR MULTIENGINE EQUIPADO CON BORDEADORA MULTITOOL)

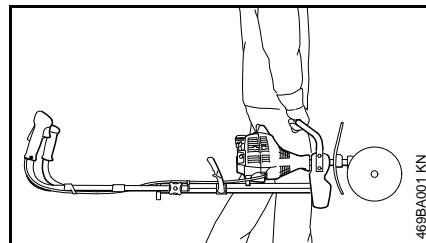
Transporte de la herramienta motorizada

! ADVERTENCIA

Para reducir el riesgo de lesiones provocadas por una pérdida de control y por contacto con la Multitool, nunca lleve ni transporte la herramienta motorizada con la MultiTool en marcha.

! ADVERTENCIA

Antes de apoyar la herramienta motorizada en el suelo, siempre apague el motor y asegúrese de que la MultiTool ha dejado de girar.



Sujete la herramienta motorizada por la argolla de transporte, con el accesorio hacia adelante.

! ADVERTENCIA

Cuando transporte la máquina en un vehículo, asegúrela firmemente para impedir que vuelque, que sufra daños o que se derrame combustible.

Antes de empezar a trabajar

! ADVERTENCIA

Compruebe siempre si la herramienta motorizada está en buenas condiciones y si funciona correctamente antes de arrancarla. Nunca intente modificar los controles o los dispositivos de seguridad.

! ADVERTENCIA

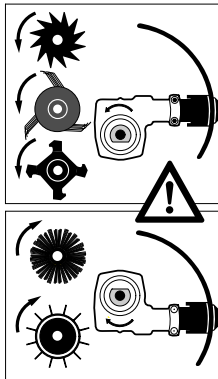
No utilice su herramienta motorizada en ningún caso si está dañada, mal ajustada o mantenida incorrectamente, o si no está armada completa y debidamente.

Despliegue el manillar tipo bicicleta a la posición de trabajo y asegúrelo con la perilla (consulte el capítulo "Ajuste del manillar tipo bicicleta" del manual de instrucciones de su MultiEngine).

Mantenga los mangos limpios y secos en todo momento; es particularmente importante mantenerlos libres de humedad, alquitrán, aceite, combustible, grasa o resinas, para que usted pueda mantener la máquina empuñada firmemente y controlarla de forma segura.

! ADVERTENCIA

Para reducir el riesgo de lesiones causadas por el giro de la MultiTool en sentido incorrecto, asegúrese de que la posición de la caja de engranajes es correcta; cambie la posición si fuera necesario.



En las herramientas de metal (ilustración superior), coloque la caja de engranajes de modo que el eje quede bajo el tubo de mando.

Se usa para:

- Hojas de cultivadora BF-MM con púas puntiagudas
- Hojas de cultivadora BK-MM con púas curvas
- Bordeadora FC-MM
- Aireador RL-MM
- Quitamusgo MF-MM

! ADVERTENCIA

La MultiTool debe estar correctamente apretada y en buenas condiciones de trabajo. Compruebe si hay piezas sueltas (pasadores de enganche, tornillos, etc.), y cuchillas agrietadas, dobladas, deformadas o dañadas. Sustituya las cuchillas dañadas antes de usar la herramienta motorizada.

! ADVERTENCIA

No conecte ninguna MultiTool a una máquina si no están instaladas correctamente todas las piezas necesarias. Si no se utilizan las piezas adecuadas, el accesorio se puede desprender y lesionar gravemente al operador o a otras personas que encuentren en los alrededores.

! ADVERTENCIA

Para reducir el riesgo de lesiones causadas por objetos arrojados y por contacto con la cuchilla, nunca maneje una herramienta motorizada sin un deflector debidamente montado.

Consulte el manual de instrucciones de su MultiTool para comprobar si está usando el deflector adecuado para la MultiTool correspondiente.

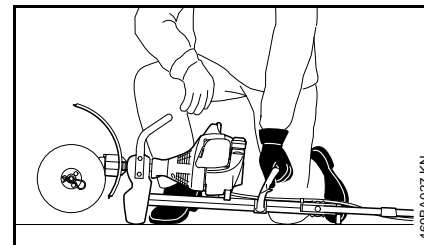
Arranque

! ADVERTENCIA

Arranque el motor a una distancia de por lo menos 10 pies (3 m) del lugar en que lo haya llenado de combustible.

Encontrará las instrucciones de arranque específicas en la sección correspondiente de los manuales de su MultiEngine y de su MultiTool.

Coloque la herramienta motorizada sobre suelo firme o sobre otra superficie sólida en un lugar abierto. Mantenga el equilibrio y elija puntos de apoyo seguros para los pies.



! ADVERTENCIA

Siempre párese a un lado de la máquina para evitar el riesgo de lesiones causadas por el contacto con la MultiTool en movimiento.

! ADVERTENCIA

Para reducir el riesgo de lesiones provocadas por una pérdida de control, es preciso que se asegure de que la MultiTool está alejada de su cuerpo y de otro tipo de obstáculos y objetos, incluido el suelo, porque al arrancar el motor acelerado, su velocidad será lo suficientemente rápida para que el embrague se engrane y mueva la MultiTool.

Tan pronto arranque, accione inmediatamente por un breve momento el gatillo de aceleración para desconectarlo de la posición de arranque y permitir que el motor se desacelere a la marcha en vacío.

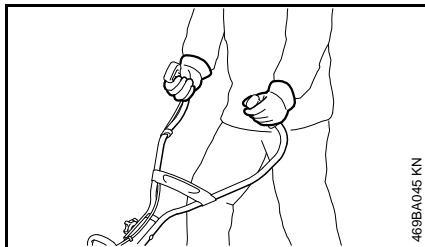
! ADVERTENCIA

Su herramienta motorizada es una máquina que debe ser manejada por una persona solamente. No permita la presencia de otras personas en el lugar de trabajo, aun durante el arranque.

Lea también las medidas de seguridad del apartado "Arranque" del manual de instrucciones del MultiEngine.

Durante el trabajo

Sujeción y control de la herramienta motorizada



Cuando trabaje con ella, siempre sujete la máquina firmemente colocando ambas manos en los mangos. Envuelva firmemente los mangos con todos los dedos, manteniéndolos sujetos entre los dedos índice y pulgar. Mantenga las manos en esta posición, para tener la herramienta motorizada siempre bien controlada.

ADVERTENCIA



Nunca intente manejar la herramienta motorizada con una sola mano. La pérdida de control de la herramienta motorizada puede ocasionar lesiones graves o mortales. Para reducir el riesgo de lesionarse, mantenga las manos y los pies alejados de la MultiTool. No toque nunca con las manos ni con cualquier otra parte del cuerpo la MultiTool cuando esté en movimiento.

ADVERTENCIA

No trate de llegar más lejos de lo debido. Mantenga los pies bien apoyados y equilibrados en todo momento. Tenga especial cuidado cuando trabaje sobre terrenos resbaladizos (suelo húmedo, nieve), difíciles o con vegetación alta y abundante. Para evitar tropezarse, esté atento a obstáculos ocultos, como tocones, raíces o zanjas. Para no perder estabilidad, aparte los arbustos y el material cortado. Proceda con extrema precaución cuando trabaje en declives o en terrenos irregulares.

Use la herramienta motorizada caminando siempre a un paso normal.

ADVERTENCIA

Para evitar el riesgo de contacto con el accesorio giratorio, tenga sumo cuidado al tirar de la herramienta motorizada hacia usted.

Extreme la precaución cuando cambie la dirección de trabajo de la herramienta motorizada, especialmente en pendientes.

ADVERTENCIA

Para evitar el riesgo de lesionarse por una pérdida de control, nunca trabaje en pendientes empinadas.

Condiciones de trabajo

Arranque y maneje su herramienta motorizada solamente al aire libre, en zonas bien ventiladas. Manéjela solamente en condiciones de buena visibilidad y a la luz del día. Trabaje con mucho cuidado.

ADVERTENCIA

Si en el suelo sobre el que trabaja o en sus alrededores se ha aplicado una sustancia química (por ejemplo, un pesticida o herbicida activo), lea y siga las instrucciones y advertencias facilitadas con la sustancia en cuestión.

ADVERTENCIA



La inhalación de ciertos polvos, y especialmente de polvos orgánicos como el moho o el polen, puede provocar reacciones alérgicas o asmáticas en las personas sensibles.

La inhalación repetida o en grandes cantidades de polvo y de otros contaminantes presentes en el aire, y especialmente de partículas pequeñas, puede causar enfermedades respiratorias o de otro tipo. Controle el

polvo en su origen siempre que sea posible. Aplique buenas prácticas de trabajo; por ejemplo, trabaje de manera que el viento o el proceso de corte dirijan el polvo levantado por la herramienta motorizada en sentido opuesto al operador. Siga las recomendaciones de EPA/OSHA/NIOSH, de las asociaciones de trabajo y de los sindicatos en lo que respecta al polvo ("materia particulada"). Si no es posible controlar la inhalación de polvo de manera significativa, es decir, mantenerla al nivel de ambiente (fondo) o cerca del mismo, el operador y cualquier persona que se encuentre en la zona deberán usar una mascarilla de respiración aprobada por NIOSH / MSHA para el tipo de polvo que corresponda.

! PELIGRO



Su herramienta motorizada no está aislada contra las descargas eléctricas. Para reducir el riesgo de descargas eléctricas, asegúrese de no hay cerca de la superficie ni en la zona de trabajo cables eléctricos que puedan entrar en contacto con la MultiTool. Cortar este tipo de cables con la herramienta puede provocar choques eléctricos con consecuencias graves, incluso mortales.

La información acerca de la ubicación de cables eléctricos puede obtenerse de las empresas de servicio eléctrico

locales o de servicios de localización de líneas eléctricas como "Miss Utility" o "One Call".

! ADVERTENCIA

Utilice la herramienta motorizada únicamente a nivel del suelo. El riesgo de lesiones aumenta si las MultiTool se usan sobre el nivel del suelo, ya que quedan más expuestas y resultan más difíciles de controlar.

Instrucciones de manejo

! ADVERTENCIA

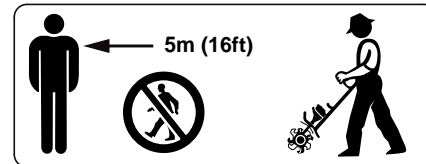
No maneje la herramienta motorizada usando el bloqueo de acelerador para arranque, puesto que así no podrá controlar la velocidad del motor.

En caso de emergencia, apague el motor inmediatamente: mueva el control deslizante / interruptor de parada a **0** o **STOP**.

! ADVERTENCIA

La MultiTool sigue girando durante un breve periodo una vez que se suelta el gatillo de aceleración (efecto de volante).

Si la MultiTool o el deflector se obstruyen o se atascan, apague siempre el motor y asegúrese de que el accesorio se ha detenido antes de proceder a la limpieza. Reitre el pasto, las malezas, etc. del accesorio siempre que sea necesario.



Para reducir el riesgo de lesiones en los ojos o en otras partes del cuerpo, lleve siempre una protección adecuada (consulte el capítulo "Vestimenta adecuada"), y asegúrese de que no haya personas a una distancia de menos de 16 pies (5 metros) de la máquina. Para reducir el riesgo de ocasionar daños a la propiedad, mantenga esta distancia con respecto a los vehículos y las ventanas. Aun manteniendo una distancia mínima de 5 metros, no se elimina por completo el peligro. Los trabajadores que deban permanecer en la zona restringida deben usar también gafas o protección ocular. Apague el motor inmediatamente si se le aproxima alguna persona.

! ADVERTENCIA

Antes de empezar a trabajar, inspeccione el área en busca de piedras, vidrio, pedazos de metal, basura y otros objetos sólidos. Estos objetos pueden salir lanzados por la herramienta, directamente o por rebote, hacia personas que se encuentren cerca, o hacia el operador. Este tipo de objetos también pueden dañar la MultiTool. La cuchilla puede astillarse o romperse. Los objetos lanzados y las cuchillas dañadas pueden causar lesiones graves o la muerte al operador o a las personas que se encuentren en los alrededores.

No utilice la bordeadora MultiTool en superficies con grava.

ADVERTENCIA

Nunca desvíe la descarga del material hacia otras personas, ni permita que persona alguna se acerque a la zona de trabajo. Tenga cuidado al dirigir la descarga del material, para evitar dañar superficies, automóviles y similares.

ADVERTENCIA

Evite cortar cerca de vallas, fachadas de edificios, tocones, piedras u obstáculos similares que puedan dañar la cuchilla o resultar en la pérdida del control sobre la unidad. Tenga en cuenta que en estas condiciones existe un mayor riesgo de que los objetos lanzados por la máquina reboten. Los objetos lanzados y los restos de cuchillas dañadas pueden causar lesiones graves o la muerte del operador o de las personas que se encuentren cerca.

Si la máquina choca contra un objeto extraño (por ejemplo, una piedra), apague el motor y retire el obstáculo. Examine la máquina en busca de señales de daños antes de reanudar el trabajo.

ADVERTENCIA

Si una cuchilla metálica en movimiento choca contra una roca o contra otro objeto sólido, se pueden producir chispas capaces de encender materiales inflamables en determinadas circunstancias. Entre los materiales inflamables se incluyen la vegetación y los arbustos secos, en particular cuando el tiempo es cálido y seco. Si existe

riesgo de incendio, leve o grave, no use cuchillas metálicas cerca de materiales inflamables, o de vegetación o matorrales secos. Póngase en contacto con las autoridades locales de control de incendios o con el servicio forestal de EE.UU. si tiene cualquier duda sobre si las condiciones de la vegetación y climáticas son adecuadas para el uso de una cuchilla metálica.

ADVERTENCIA

Durante el corte, revise en intervalos regulares el apriete y el estado de la MultiTool. Si nota cambios en el comportamiento de la herramienta, apague el motor inmediatamente y revísela. Sustituya inmediatamente cualquier cuchilla que esté trizada, combada, deformada o dañada, incluso aunque solo presente rayas superficiales. Los accesorios en este estado pueden romperse a velocidades elevadas y causar lesiones graves o mortales.

ADVERTENCIA

La caja de engranajes se calienta durante el funcionamiento de la máquina. Para reducir el riesgo de sufrir lesiones por quemaduras, no toque la carcasa de la caja de engranajes cuando está caliente.

MANTENIMIENTO, REPARACIÓN Y ALMACENAMIENTO

ADVERTENCIA

Siempre apague el motor y verifique que el accesorio está parado antes de llevar a cabo cualquier trabajo de mantenimiento, reparación o limpieza de la herramienta motorizada. No intente hacer ningún trabajo de mantenimiento o reparación que no esté descrito en su manual de instrucciones del motor MultiEngine o de la MultiTool. Este tipo de trabajo debe realizarse únicamente en el taller de servicio de STIHL.

ADVERTENCIA

Utilice solamente las piezas de repuesto idénticas de STIHL para el mantenimiento y la reparación. El uso de piezas no fabricadas por STIHL puede causar lesiones graves o mortales.

Use guantes para manipular o reparar las cuchillas.

ADVERTENCIA

Nunca repare los accesorios dañados aplicándoles soldadura, enderezándolos o modificándolos su forma. Esto puede causar el desprendimiento de alguna pieza del accesorio y producir lesiones graves o mortales.

Utilice solamente las piezas de repuesto idénticas de STIHL para el mantenimiento y la reparación. El uso

de piezas no fabricadas por STIHL puede causar lesiones graves o mortales.

Apriete todas las tuercas, pernos y tornillos, excepto los tornillos de ajuste del carburador, después de cada uso.

No limpie la máquina con una lavadora a presión. El chorro fuerte de agua puede dañar las piezas de la máquina.

Guarde la herramienta motorizada en un lugar seco y elevado o con llave lejos del alcance de los niños.

Uso



La bordeadora MultiTool FC-MM ha sido diseñada para formar bordes bien definidos alrededor de prados. Puede cortar casi todo tipo de pastos, malezas y plantas verdes blandas.

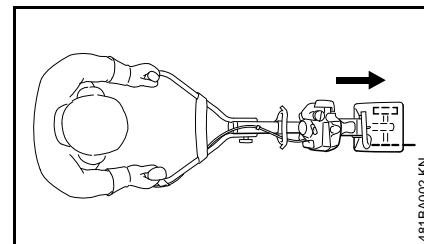
Preparaciones

Si el suelo está muy seco, humidézcalo con agua antes de empezar a trabajar. Esto ablanda el suelo y reduce la cantidad de polvo que se levanta. Las plantas verdes son más fáciles de cortar cuando están húmedas.

ADVERTENCIA

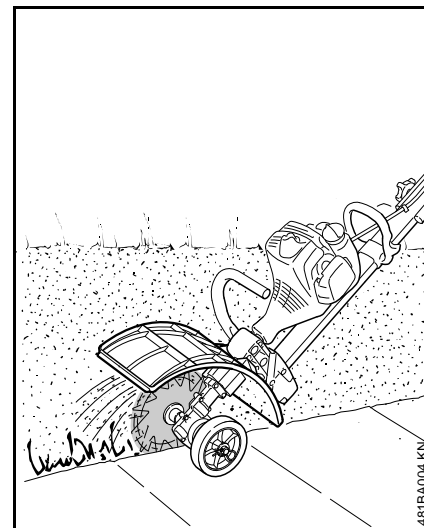
Quite todos obstáculos y objetos sólidos de la zona de trabajo.

- Planifique la mejor ruta para el bordeado.



Trabaje moviendo el motor MultiEngine con la bordeadora FC-MM en el sentido de avance solamente.

Las cuchilla sólo puede instalarse y accionarse en una posición. Las flechas en la cuchilla indican el sentido de rotación que requieren – consulte el capítulo "Montaje de la MultiTool".

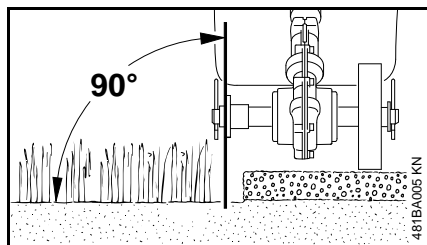


ADVERTENCIA

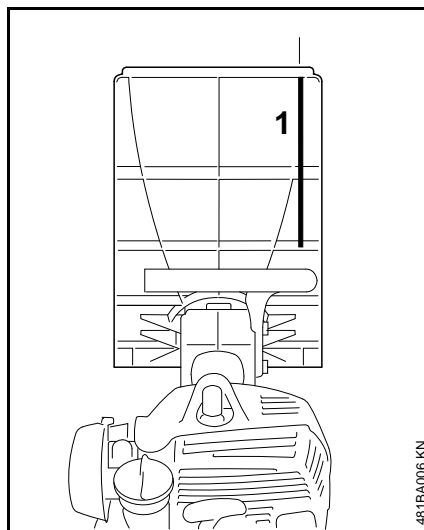
¡Nunca trabaje sin el deflector!

El deflector asegura que el material cortado y la basura sean lanzados en sentido opuesto a la máquina y al operador.

Bordeado



- Fije el manillar en la posición de trabajo normal.
- Arranque el motor.
- Inicie el corte con el motor a media aceleración como mínimo y continúe el corte a aceleración máxima.
- Sujete la bordeadora y guíela de modo que la cuchilla esté en posición vertical.
- Corte de modo uniforme, de manera que el motor no pierda velocidad – no aplique fuerza.
- Camine a un paso normal mientras se corta.
- No empuje la cuchilla para meterla en el suelo.
- Siempre camine hacia adelante al cortar, nunca tire de la máquina hacia su persona.
- Corte a un paso uniforme para evitar tener que hacer varias pasadas.



- Utilice la mirilla (1) para alinear la cuchilla con el borde.

Limpeza de cuchillas

Los trozos de pasto o raíces pueden enrollarse ajustadamente alrededor del montaje de las cuchillas durante el uso. Limpie la cuchilla de la manera siguiente:

- Apague el motor.
- Póngase guantes de trabajo.
- Extraiga los pasadores de enganche del eje.
- Quite la cuchilla del eje.
- Quite los restos de raíces, plantas y suelo.

Consulte la sección "Montaje de la herramienta MultiTool" para las instrucciones de montaje.

Motores MultiEngine aprobados

Utilice únicamente los motores KombiEngine provistos por STIHL o expresamente aprobados por STIHL para uso con la MultiTool.

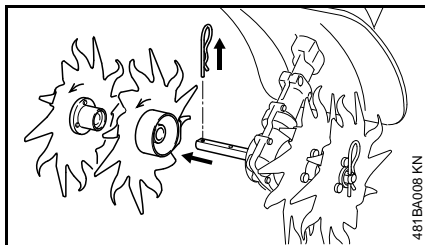
Esta herramienta MultiTool puede usarse únicamente con el motor STIHL MM 56 MultiEngine.

Montaje de la MultiTool

Retiro de los accesorios MultiTool instalados

! ADVERTENCIA

Use guantes para reducir el riesgo de lesiones causadas por el contacto con las MultiTool afiladas y/o la superficie caliente de la caja de engranajes.

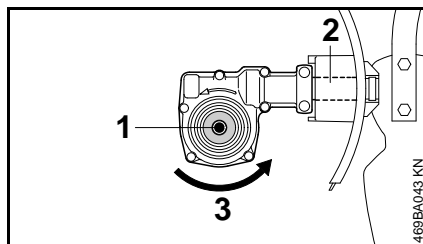


- Saque los pasadores de enganche y quite las MultiTool (si las tiene) del eje – consulte "Montaje de la MultiTool" en el manual de instrucciones de la otra MultiTool.
- De ser necesario, limpie la caja de engranajes.

Revisión de la posición de la caja de engranajes

! ADVERTENCIA

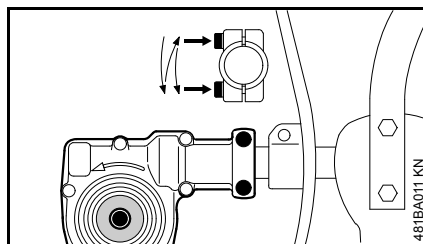
Para reducir el riesgo de lesiones causadas por el giro de la MultiTool en el sentido incorrecto, revise la posición de la caja de engranajes y ajústela según se requiera.



El eje (1) debe quedar debajo de la varilla (2).

Sentido de giro (3) de la MultiTool.

Ajuste de la posición de la caja de engranajes



- Afloje los tornillos de fijación en la caja de engranajes.
- Gire la caja de engranajes en 180°.
- Alinee la caja de engranajes en la posición correcta.
- Apriete los dos tornillos de fijación en la caja de engranajes en la siguiente secuencia:
 - Apriete el primer tornillo moderadamente.
 - Apriete el segundo tornillo moderadamente.

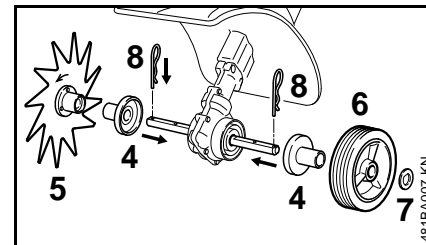
- Apriete el primer tornillo firmemente.
- Apriete el segundo tornillo firmemente.

INDICACIÓN

No debe ser posible girar la caja de engranajes en el tubo de mando.

Montaje de la MultiTool

El sentido de giro se marca con flechas en la caja de engranajes y en la cuchilla. Asegúrese que las flechas están apuntando en el mismo sentido.

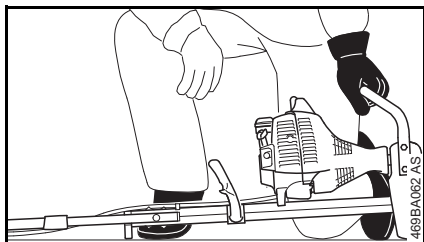
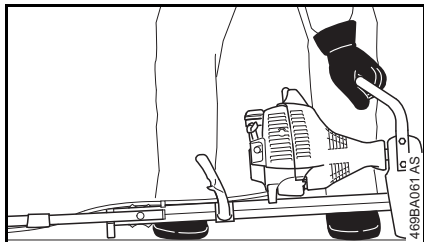


- Instale los dos manguitos (4) en los lados derecho e izquierdo.
- Gire la cuchilla (5) en el eje derecho (vista desde el motor) hasta que sea posible empujarla en su lugar – verifique otra vez el sentido de giro (las flechas).
- Empuje la rueda (6) y la arandela (7) en el eje izquierdo (vista desde el motor).
- Coloque y enganche los dos pasadores de enganche (8) en los agujeros de los ejes – doble los pasadores de enganche hasta que estén planos contra la cuchilla y la rueda.

Arranque / parada del motor

Arranque del motor

Siempre siga el procedimiento de arranque descrito en el manual de instrucciones del motor MultiEngine.



- Fije el manillar en la posición de trabajo normal.
- Retraiga las ruedas, si las tiene – consulte el capítulo "Ruedas" en el manual de instrucciones de MultiEngine.
- Retraiga la espuela, si la tiene

- Verifique que la MultiTool no esté tocando el suelo ni ningún otro obstáculo. La máquina deberá quedar apoyada en la brida del motor y en el soporte de su bastidor.
- Asegúrese de tener los pies bien apoyados y de estar bien equilibrado – tal como se ilustra.

! ADVERTENCIA

Para reducir el riesgo de sufrir lesiones debido al contacto con el accesorio giratorio, siempre párese a un lado de la herramienta motorizada, nunca delante del accesorio de corte.

- Con la mano izquierda colocada en el mango tórico, presiones la máquina **firmemente** contra el suelo – no toque el gatillo de aceleración ni la palanca de bloqueo.

INDICACIÓN

No se pare ni se arrodille sobre el manillar o el bastidor.

! ADVERTENCIA

El accesorio puede empezar a girar tan pronto arranque el motor. Por esta razón, accione momentáneamente el gatillo de aceleración – el motor reduce su aceleración al régimen de marcha en vacío.

Ahora siga el procedimiento de arranque descrito en el manual de instrucciones del motor MultiEngine.

Parada del motor

- Consulte el manual de instrucciones del motor MultiEngine.

Almacenamiento de la máquina

Para intervalos de 3 meses o más

- Retire, limpie e inspeccione la cuchilla.
- Guarde la máquina en un lugar seco y elevado, o bajo llave – fuera del alcance de los niños y de otras personas no autorizadas.

Información para mantenimiento

Los intervalos dados a continuación corresponden únicamente a condiciones normales de trabajo. Si el tiempo de trabajo por jornada es más largo que lo normal, o si las condiciones son extremas (zonas polvorientas, etc.), acorte los intervalos indicados de modo correspondiente.

Todos los tornillos y tuercas accesibles

- Vuelva a apretarlos de ser necesario.

Rueda

- Inspección visual antes de iniciar los trabajos
- Sustituya de ser necesario

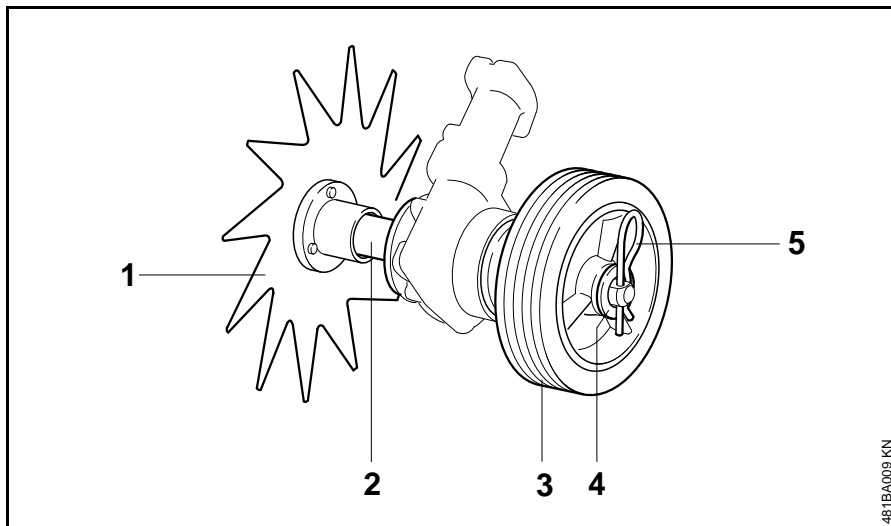
Cuchilla

- Inspeccione, revise el apriete antes de comenzar el trabajo y después de cada parada para cargar combustible.
- Revise si está desequilibrada, de ser necesario. Sustitúyala si está desequilibrada.
- Sustituya si está dañado.

Etiquetas de seguridad

- Cambie las etiquetas de seguridad ilegibles

Componentes importantes



- 1 Cuchilla
- 2 Manguito
- 3 Rueda reguladora de profundidad
- 4 Arandela
- 5 Pasador de enganche

Definiciones

- 1 Cuchilla**
Cuchilla metálica para recortar malezas y plantas verdes blandas.
- 2 Manguito**
Mantiene la distancia apropiada entre la cuchilla / rueda reguladora y la caja de engranajes.
- 3 Rueda reguladora de profundidad**
La rueda reguladora montada en el deflector guía la cuchilla de la bordeadora a una altura establecida sobre el suelo.
- 4 Arandela**
Protege contra desgaste el cubo de la rueda reguladora .
- 5 Pasador de enganche**
Fije los accesorios y facilita el retiro y la instalación de los mismos.

Especificaciones

Accesorio


Cuchilla
Diámetro: 230 mm (9,1 pulg)

Peso

Bordeadora con
rueda: 0,8 kg (1,8 lb)

Información de reparación

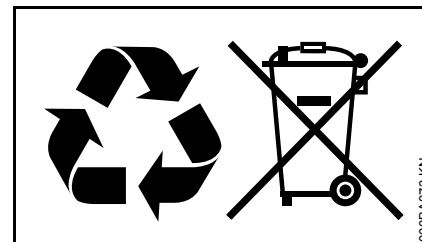
Los usuarios de esta máquina deben efectuar únicamente los trabajos de mantenimiento descritos en este manual. STIHL recomienda que un concesionario de servicio STIHL efectúe los demás trabajos de reparación utilizando piezas de repuesto genuinas de STIHL.

Es posible identificar las piezas originales de STIHL por el número de pieza STIHL, el logotipo de **STIHL**, en ciertos casos, el símbolo  de piezas STIHL. En las piezas pequeñas el símbolo puede aparecer solo.

Para reparar algún componente del sistema de control de emisiones de aire, consulte la garantía de sistemas de emisiones dada en este manual.

Desecho

Respete todas las leyes y los reglamentos sobre eliminación de desechos que correspondan a su país.



No se debe botar los aparatos STIHL en el basurero. Lleve el producto, los accesorios y el embalaje a un vertedero autorizado para reciclarlos y contribuir al cuidado del medio ambiente.

Comuníquese con un concesionario de servicio de STIHL para obtener la información más actualizada sobre la eliminación de desechos.

Marcas comerciales

Marcas registradas de STIHL

STIHL®

STIHL®



La combinación de colores anaranjado-gris (Números de registro EE.UU. 2,821,860; 3,010,057, 3,010,058, 3,400,477; y 3,400,476)



AutoCut®

FARM BOSS®

iCademy®

MAGNUM®

MasterWrench Service®

MotoMix®

OILOMATIC®

ROCK BOSS®

STIHL Cutquik®

STIHL DUROMATIC®

STIHL Quickstop®

STIHL ROLLOMATIC®

STIHL WOOD BOSS®

TIMBERSPORTS®

WOOD BOSS®

YARD BOSS®

Algunos de las marcas comerciales de STIHL por ley común



4-MIX™

BioPlus™

Easy2Start™

EasySpool™

ElastoStart™

Ematic™

FixCut™

IntelliCarb™

Master Control Lever™

Micro™

Pro Mark™

Quiet Line™

STIHL M-Tronic™

STIHL OUTFITTERS™

STIHL PICCO™

STIHL PolyCut™

STIHL PowerSweep™

STIHL Precision Series™

STIHL RAPID™

STIHL SuperCut™

TapAction™

TrimCut™

Esta lista de marcas comerciales está sujeta a cambios.

Queda terminantemente prohibido todo uso de estas marcas comerciales sin el consentimiento expreso por escrito de ANDREAS STIHL AG & Co. KG, Waiblingen.

 **WARNING**

This product contains chemicals known to the State of California to cause cancer, birth defects or other reproductive harm.

 **ADVERTENCIA**

Este producto contiene sustancias químicas consideradas por el Estado de California como causantes de cáncer, defectos de nacimiento u otra toxicidad reproductora.

0458-481-8621

englisch / spanisch USA



www.stihl.com



0458-481-8621