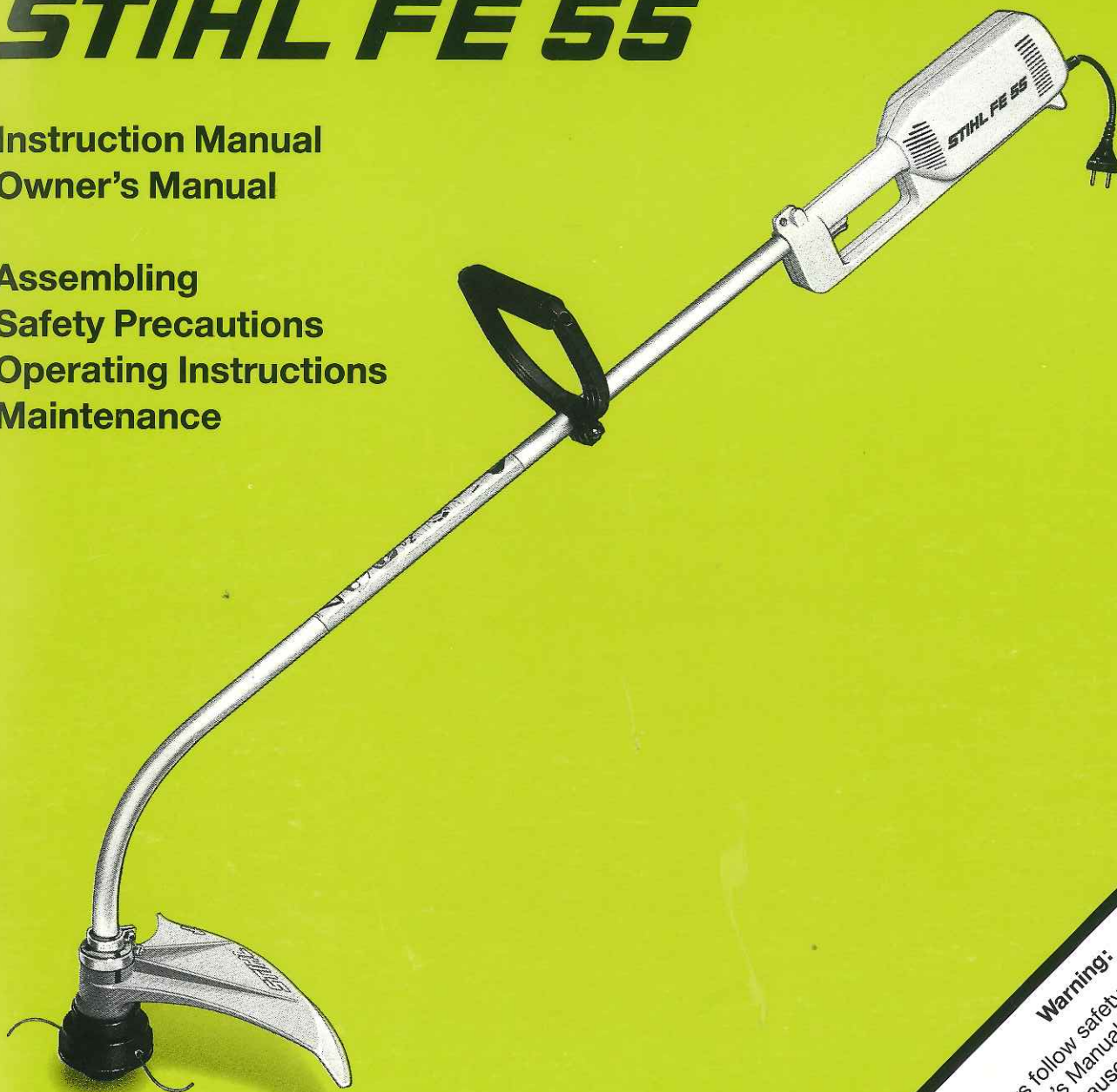


STIHL FE 55

**Instruction Manual
Owner's Manual**

**Assembling
Safety Precautions
Operating Instructions
Maintenance**



Warning:
Always follow safety precautions in
Owner's Manual – improper use
can cause serious injury!

Contents

Main Parts and Controls	2
Definitions	3
Important Safety Instructions	4
Assembling the Trimmer	
Mounting the Loop Handle	10
Mounting the Deflector	10
Mounting the Mowing Head	11
Starting	
Adjusting Loop Handle	12
Connecting to Power Supply	12
Switching on/off	12
Adjusting Nylon Line	13
Mowing Head Maintenance	
Replacing Nylon Line	13
Fitting Refilled Spool	14
Fitting the Harness	14
(Special Accessory)	
Specifications	15
Certificate of conformity	16

This manual contains warnings, operating and safety instructions for the STIHL FE 55 trimmer.

Pay special attention to the safety instructions outlined on pages 4 to 9. Allow only persons who understand this manual to operate your trimmer.

To receive maximum performance and satisfaction from your STIHL trimmer, it is important that you read and understand the maintenance and safety precautions before using your trimmer. Contact your STIHL dealer or the STIHL distributor for your area if you do not understand any of the instructions in this manual.

Warning!

Because a trimmer is a high-speed cutting tool and because of the dangers associated with electricity some special safety precautions must be observed as with any other trimmer to reduce the risk of personal injury.

Careless or improper use may cause serious or even fatal injury.

STIHL's philosophy is to continually improve all of its products. As a result, engineering changes and improvements are made from time-to-time.

If the operating characteristics or the appearance of your trimmer differs from those described in this manual, please contact your STIHL dealer for information and assistance.

Warning!

To reduce the risk of damage or personal injury use only the identically delivered STIHL mowing head provided with nylon cutting lines of 2 mm (.08 in) dia. (see "Replacement Parts ...").

Warning!

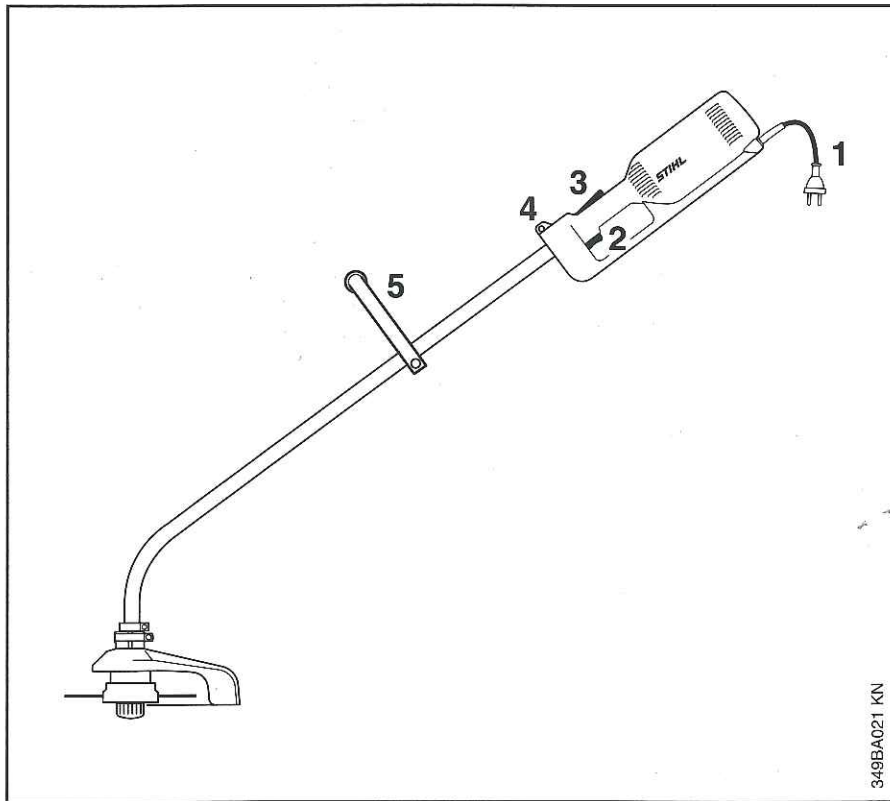
To reduce the risk of personal injury to the operator from blade contact, never use metal blades on those FE models with loop handle.



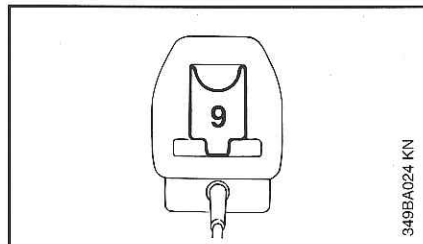
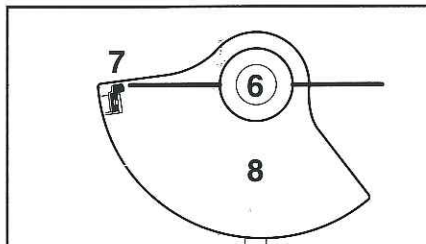
Printed on chlorine-free paper.

© 1999 Andreas Stihl AG & Co, Waiblingen
0458 349 0121. M5. G9. PM. Printed in USA

Main Parts and Controls



- 1 Power supply cord
- 2 Trigger switch
- 3 Throttle trigger interlock
- 4 Carrying loop
- 5 Loop handle



- 6 Mowing head
- 7 Line length limiter blade
- 8 Deflector
- 9 Strain relief flap

1. **Power supply cord.**
Supplies electric to current motor.
2. **Trigger switch.**
To switch the machine "on" and "off".
3. **Throttle trigger interlock**
Must be depressed before the trigger switch can be activated.
4. **Carrying loop.**
The device to connect the trimmer to the harness.
5. **Loop handle.**
For easy control of the machine during cutting work.
6. **Mowing head.**
The mowing head is intended to supplement a lawn mower.
7. **Line length limiter blade.**
Metal piece in the deflector for cutting off excess nylon line.
8. **Deflector.**
The deflector is designed to reduce the risk of injury from foreign objects flung backwards toward the operator by the cutting tool and from contact with the cutting tool.
9. **Strain relief flap.**
Supports extension cord and reduces the likelihood of disconnection of extension cord receptacles and trimmer plug.

IMPORTANT SAFETY INSTRUCTIONS - SAVE THESE INSTRUCTIONS!



Warning!

To reduce the risk of fire, electric shock and personal injury, special safety precautions must be observed.

It is important that you read, fully understand and observe the following safety precautions and warnings.



Read the owner's manual and the safety instructions periodically.

Careless or improper use of any electric trimmer may cause serious or even fatal injury.

Have your STIHL dealer show you how to operate your trimmer.

Observe all applicable local safety regulations, standards and ordinances.

Warning!

The use of an electric trimmer may be hazardous. If the rotating cutting tool comes in contact with your body, it may cut you. When it comes in contact with solid foreign objects such as rocks or bits of metal, it may fling them directly or by ricochet in the direction of bystanders or the operator. Thrown objects may result in serious or fatal injury to the operator or bystanders.

Keep hands and feet away from cutting area

THE TRIMMER

For illustrations and definitions of the trimmer parts see the chapter on Parts and Controls!

Warning!

Never modify an electric trimmer in any way. Only attachments supplied by STIHL or expressly approved by STIHL for use with the specific STIHL trimmer models are authorized.

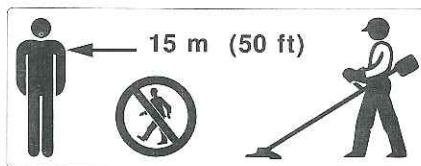
To reduce the risk of damage or personal injury use only the identically delivered STIHL mowing head provided with nylon cutting lines of 2 mm (.08 in) diameter. Do not use metal-reinforced line. (see „Replacement Parts . . .“). Although certain unauthorized attachments are useable for the STIHL trimmer, their use may, in fact, be extremely dangerous.

Operating Instructions

Warning!

Your trimmer is a one-person machine. Once switched on, it may fling foreign objects for a great distance.

To reduce the risk of eye and other injury insure that bystanders are at least 50 feet (15 m) away.



Stop the motor and stop the cutting tool immediately if you are approached.

Operate your trimmer without assistance.

Operate the trimmer under good visibility and daylight conditions only.

Work carefully.

Warning!

Never attempt to use an electric trimmer in locations where there is a potential for explosive or flammable atmospheres.

Always hold the trimmer firmly with both hands. Wrap your fingers tightly around the handles, keeping the handles cradled between your thumb and forefinger. Keep your hands in this position

to have your trimmer under control at all times. Make sure your trimmer handles and grip are in good condition and free of moisture, pitch, oil or grease.

 **Warning!**

Never attempt to operate any trimmer with one hand. Loss of control of the trimmer may result in personal injury.

 **Warning!**

Special care must be taken in slippery conditions and in difficult, over-grown terrain. Watch for hidden obstacles such as tree stumps, roots and ditches to avoid stumbling.

Before cutting, inspect the area for stones, glass, pieces of metal, trash or other solid objects. The cutting attachment could throw objects of this kind.

To reduce the risk of injury from thrown objects never operate a trimmer without a properly mounted deflector.

Do not overreach. Keep proper footing and balance at all times.

 **Warning!**

This trimmer is normally to be used at ground level with the cutting attachment parallel to the ground.

Do not use a trimmer above ground level. Such use may increase the risk of injury, since the cutting attachment is more fully exposed and the trimmer may

be more difficult to control. Never use your trimmer as a hedge trimmer.

 **Warning!**

If the cutting tool or deflector becomes clogged or stuck, always switch off the motor, unplug unit and make sure the cutting tool has stopped before cleaning. Grass, weeds, etc. should be cleaned off the cutting tool at regular intervals.

 **Warning!**

During cutting, check the tightness and the condition of the cutting tool at regular intervals. If the behaviour of the tool changes, switch off the motor immediately, hold the trimmer very firmly and brake the cutting tool to a standstill by pressing it against the ground. Unplug unit and check the nut securing the tool for tightness and the cutting tool for cracks and damage.

 **Warning!**

Replace damaged cutting tools immediately. Such tools may shatter at high speed and cause serious or fatal injury.

 **Warning!**

Never touch a rotating cutting tool with your hand or any part of your body.



It continues to rotate for a short period after the switch is released (flywheel effect).

 **Warning!**

Do not cut any material other than grass. The cutting tool may be used only for the operations described in your manual. Do not force your trimmer - it will do the job better and with less likelihood of a risk of injury at the rate for which it was designed.

USING THE CUTTING TOOL

For an illustration of the cutting tool and instruction on proper mounting see the chapter on „Mounting the mowing head“ in your manual.

Using the mowing head

The identically delivered STIHL mowing head is intended to supplement a lawn mower. It produces a clean and tidy finish.

 **Warning!**

To reduce the risk of serious injury, never use wire or metal-reinforced line or other material in place of the nylon cutting lines. Pieces of wire could break off and be thrown at high speed toward the operator or bystanders. Always use nylon line with a diameter of 2 mm (.08in). Larger lines may cause engine damage. Smaller lines may cause over-running and increase the risk of injury from thrown objects or fragmentation of the cutting attachment.

MAINTENANCE, CLEANING, REPAIR AND STORING

Warning!

Always disconnect the plug from the power supply before cleaning the unit, replacing parts or performing any other work on the unit. Always switch off the motor and make sure that the cutting tool is stopped before unplugging.

Only carry out the maintenance operations and repairs described in this manual. Other work should be performed by your STIHL servicing dealer.

Maintain appliance with care. Only use identical replacement parts for maintenance and repair. Use of parts manufactured by others may cause serious or fatal injury.

Only authorized personnel may replace the power supply cord. A damaged power supply cord must be replaced by a identical STIHL replacement part.

Check cooling air inlets about every ten hours of operation and clean if necessary. Do not use any strong detergents on the plastic housing or handle. They can be attacked by certain household cleaners containing aromatic oils such as pine or lemon, or by solvents such as cerosene. Do not spray water at the trimmer, moisture can cause an electric shock hazard. Wipe the unit with a cloth.

Warning!

Never attempt to repair a damaged cutting attachment. This may cause parts of the cutting tool to come off and result in serious or fatal injuries.

Check condition of cutting tool at regular short intervals. If behaviour of tool changes, check it immediately for tightness and any signs of cracks in particular. To reduce the risk of serious injury, replace damaged cutting tools immediately, even if they have only superficial cracks.

Tighten all nuts, bolts and screws after each use.

When not in use, the trimmer and the extension cord should be stored indoors in a dry, high or locked location and out of reach of children.

ELECTRICAL PRECAUTIONS

Special precautions for electric trimmers must be observed to reduce the risk of personal injury and property damage from fire and electric shock.

Warning!

When servicing, use only identical replacement parts.

Polarized plugs: To reduce the risk of electric shock, this equipment has a polarized plug (one blade is wider than the other) This plug will fit in a polarized outlet one way. If the plug does not fit fully in the outlet, reverse the plug. If it still

does not fit, contact a qualified electrician to install the proper outlet. Do not change the plug in any way.

Never attempt unauthorized repairs nor open powerhead. Only authorized personnel may repair or replace damaged cords.

Warning!

The electrical power voltage must agree with the voltage specified on the trimmer's machine label. Improper connection will damage the trimmer and may cause personal injury.

Warning!

To reduce the risk of fire or electrical shock from arcing and of injury from revolving cutting tool be sure switch is off when plugging in.

Warning!



In order to reduce the risk of serious injury from electrocution, never use your trimmer if the power supply cord or plug is cut, cracked, worn or damaged.

Disconnect the plug from the power supply and have a dealer replace the power supply cord.

Warning!



To avoid electric shock, do not use the trimmer in damp or wet locations. Do not expose or use in rain. To reduce the risk of

electric shock, do not handle the plug or the unit with wet hands.

Ground Fault Circuit interrupter (GFCI) protection should be provided on the circuit(s) or outlet(s) to be used for the gardening appliance. Receptacles are available having built-in GFCI protection and may be used for this measure of safety.

Warning!

When using the electric trimmer, always keep the power supply cord behind you and away from the cutting tool. Always ensure that your power supply cord does not become entangled with obstacles or objects. Damaged cables may cause electrocution. Always disconnect the plug from the power supply when you take a break.

Cord Sets

Warning!

To reduce the risk of electric shock use only extension cords that are intended for outdoor use. Use only three-wire extension cords that have three-prong grounding plugs and grounding receptacles that accept the appliance plug.

Do not use damaged extension cords. Examine extension cord before using and replace if damaged. When using an extension cord, be sure to use one heavy enough to carry the current your trimmer will draw. An undersized extension cord will cause a drop in line

voltage resulting in loss of power and overheating. Following table shows the correct size to use depending on cord length and machine label ampere rating. (for cord set type see chapter entitled „Starting“).

Minimum wire size for extension cords for 120 Volt appliances using 0-6 amps

Cord length (ft)	25	50	100	150
Wire size (AWG)	18	16	16	14

Appropriate extension cords are available in special stores for electrical equipment.

Warning!

To reduce the likelihood of disconnection and the risk of electric shock, always retain the extension cord by means of the retaining device on the trimmer handle as shown in the chapter entitled „Starting“ in your owner’s manual.

Warning!

Avoid damage to the power supply cord. Keep cord away from heat, oil and sharp edges. Never carry trimmer by power cable or yank power cable to disconnect the plug from the wall outlet. To unplug, grasp the plug not the cord.



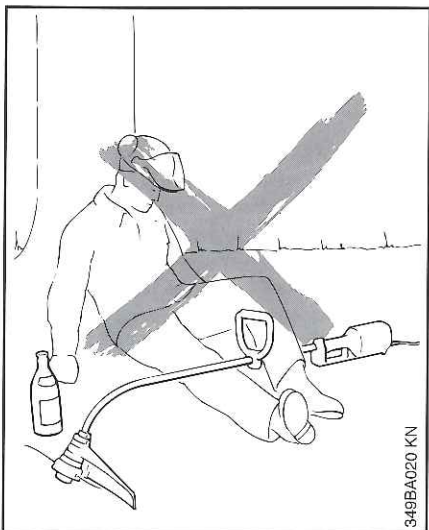
PRE-OPERATIONAL SAFETY WARNINGS

Warning!

Children should never be allowed to use an electric trimmer. Bystanders, especially children and animals should not be allowed in the area where an electric trimmer is in use. Never let the trimmer run unattended.

Warning!

Do not lend or rent your trimmer without the owner’s manual. Be sure that anyone using your trimmer understands the information contained in this manual.



349BA020 KN

Most of these safety precautions and warnings apply to the use of all STIHL electric trimmers. Different models may have different parts and controls.

See the appropriate section of your owner's manual for a description of the controls and function of the parts of your model trimmer.

Safe use of a trimmer involves

1. the operator
2. the trimmer
3. the use of the trimmer.

THE OPERATOR

Physical Condition

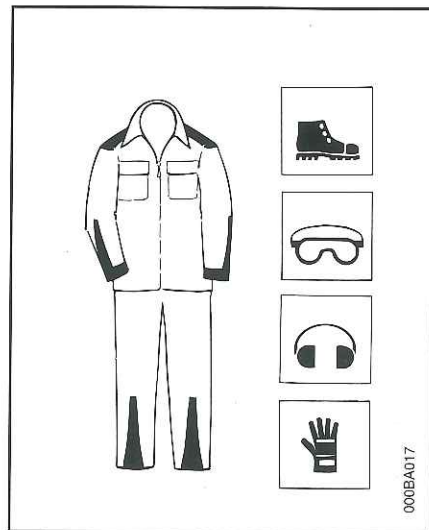
You must be in good physical condition and mental health and not under the influence of any substance (drugs, alcohol, etc.) which might impair vision, dexterity or judgement. Do not operate the trimmer when you are fatigued.

Working with any trimmer can be strenuous. Be alert - if you get tired while operating your trimmer, take a break. Tiredness may result in loss of control. If you have any condition that might be aggravated by strenuous work, check with your doctor before operating a trimmer.

Warning!

Prolonged use of a trimmer (or other machines) exposing the operator to vibrations may produce White Finger disease (Raynaud's Phenomenon) or carpal tunnel syndrome. These conditions reduce the hand's ability to feel and regulate temperature, produce numbness and burning sensations and may cause nerve and circulation damage and tissue necrosis.

Therefore, continual and regular users should monitor closely the condition of their hands and fingers. If any of the above symptoms appear, seek medical advice immediately.



000BA017

Protective clothing

Warning!

The deflector provided with your trimmer may not protect the operator from all foreign objects (gravel, glass, wire etc.) thrown by the revolving cutting attachment.



Thrown objects may also ricochet and strike the operator. Therefore, to reduce the risk of injury to your eyes, never operate a trimmer unless wearing goggles or properly fitted safety glasses with adequate top and side protection complying with ANSI Z 87.1 (or your applicable national standard).

To reduce the risk of injury to your face, STIHL recommends that you also wear a face shield or face screen over your goggles or safety glasses.

 **Warning!**

Electric trimmer noise may damage your hearing. Wear sound barriers (ear plugs or ear muffers) to reduce the risk of hearing loss. Continual and regular users should have their hearing checked regularly.

To improve your grip and to reduce the risk of injury from electric shock, use of rubber gloves when handling the trimmer is recommended. Wear protective clothing.

Clothing must be sturdy and snug-fitting, but allow complete freedom of movement. Avoid loose-fitting jackets, scarfs, neckties, jewelry, flared or cuffed pants or anything that could become caught on branches, brush or moving parts of the unit.

Wear long pants made of heavy material to protect your legs. Do not wear shorts.

Good footing is most important in trimmer work. Wear sturdy boots with non-slip soles. Steel-toed safety boots are recommended.

Wear an approved safety hard hat to protect your head when there is a danger of head injuries.

OPERATIONAL PRECAUTIONS THE USE OF THE TRIMMER

 **Warning!**

Use the right tool. Do not use your appliance for any job except that for which it is intended.

Do not use the trimmer for any job except that for which it is intended. Keep guards in place and in working order. Keep hands and feet away from cutting area.

Transporting the Trimmer

 **Warning!**

Always switch off the motor and make sure the cutting attachment has stopped before putting a trimmer down.

To reduce the risk of unintentional starting, never carry a plugged in unit with your finger on the switch. Be sure the switch is off when plugging in.

Preparation for the use of the trimmer

Adjust hand grip to suit your size before starting work.

Always check your trimmer for proper condition and operation before starting. Particularly important items are the power supply cord, plug, switch, cutting tool and deflector.

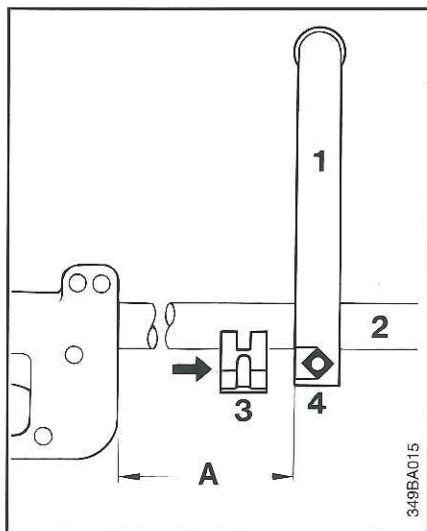
 **Warning!**

Inspect the power supply cord and plug before and after each use for signs of damage or aging.

The cutting tool must be properly tightened and in safe operating condition. Inspect for loose parts (nuts, screws, etc.).

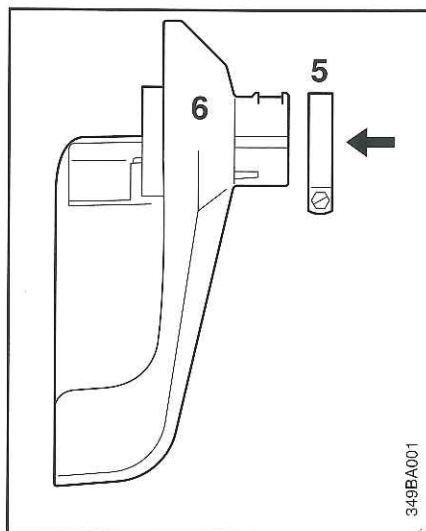
SAVE THESE INSTRUCTIONS!

Assembling the Trimmer



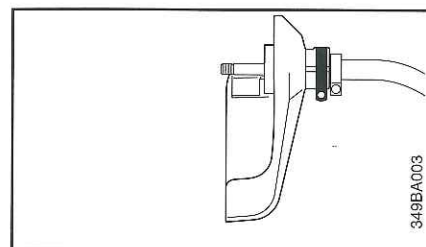
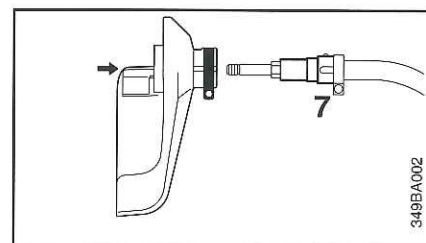
Mounting the loop handle

- Place the loop handle (1) on the drive tube (2).
- Distance (A) should be approx. 30 cm (12 in).
- Fit clamp (3) against drive tube and slide it into the loop handle.
- Insert the square nut (4).
- Fit the clamp screw and tighten down firmly.

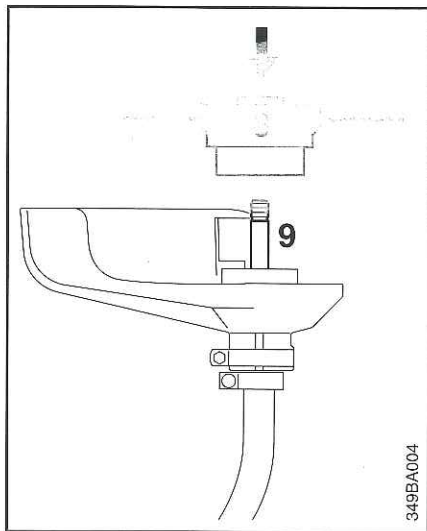


Mounting the deflector

- Slip the clamp (5) over the deflector (6).



- Push deflector with clamp onto the bearing housing (7) as far as it will go.
- Tighten down the clamp.

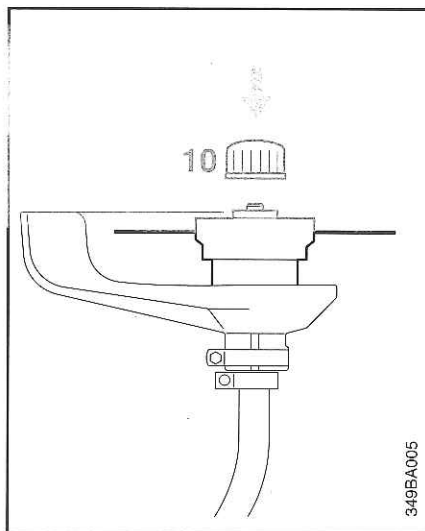


349BA004

Mounting the mowing head

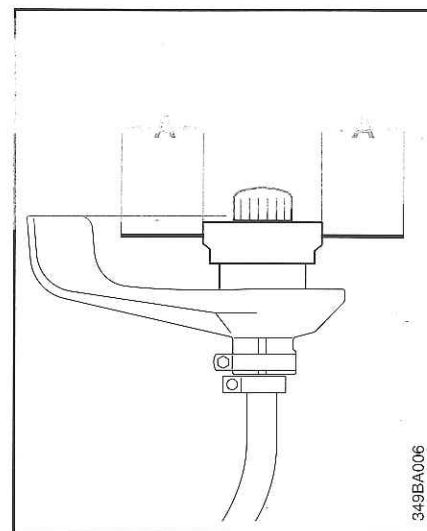
Slip the spool housing (8)
- hexagon socket must point down -
over the drive shaft (9) as
far as it will go.

- Turn the spool housing back and forth to engage the hexagon nut on the shaft.



349BA005

- Place screw cap (10) on the drive shaft.
- Hold the spool housing steady.
- Press the screw cap down and tighten it firmly in the clockwise direction.



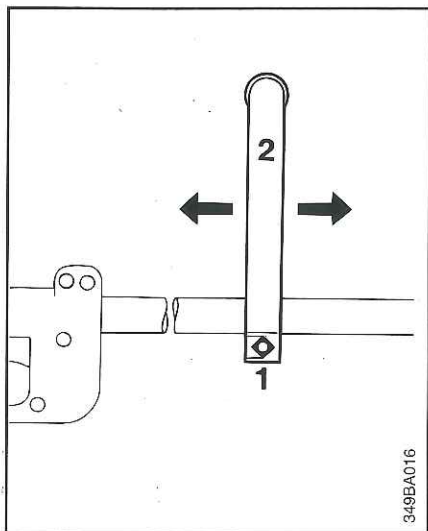
349BA006

Nylon lines should be 10...14 cm long
(4...5.5 in).

If the nylon lines are too short :

- Press down the screw cap and pull the ends of the lines firmly outward.
- Overlong lines are automatically trimmed to length by the line length limiter blade on the deflector.

Starting



Adjusting loop handle

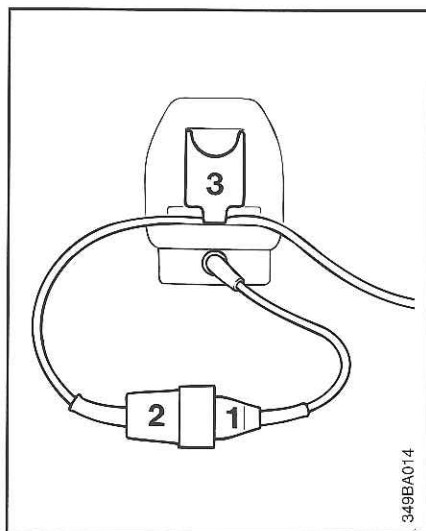
Slacken the screw (1) and slide the loop handle (2) along the drive tube to the required position.

- Retighten the screw.

Connecting to power supply

Make sure that your electricity supply voltage agrees with the trimmer's rated voltage.

Use an extension cord which is specifically approved for outdoor applications.



Wires of extension cord must have the following minimum cross sectional area:

- from 2 m length: 1,5 mm²,
under model H07 RN-F

120 V version:

Type SW-A, SOW-A, STW-A, STOW-A,
SJW-A, SJOW-A, SJTW-A,
or SJTOW-A,
up to 100 ft 16 AWG
100 to 150 ft 14 AWG

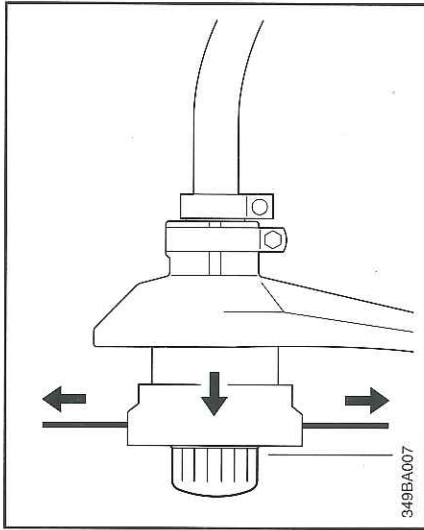
- Connect trimmer's plug (1) to extension cord coupling (2).
- Swing the flap (3) outward.
- Push extension cord into the recess.
- Let go off the flap.



Switching on

- Make sure you have a secure footing.
- Hold the trimmer with both hands - one hand on the rear handle - and the other on the loop handle.
- Stand upright - hold trimmer in a relaxed position.
- Do not rest the mowing head on the ground.
- Press down the starting lockout (1) and hold it there.
- Squeeze the trigger switch (2).
- To switch off, release the trigger switch (2) and starting lockout (1).

Mowing Head Maintenance



Adjusting nylon line

When cutting performance deteriorates, hold the running trimmer above a patch of grass.

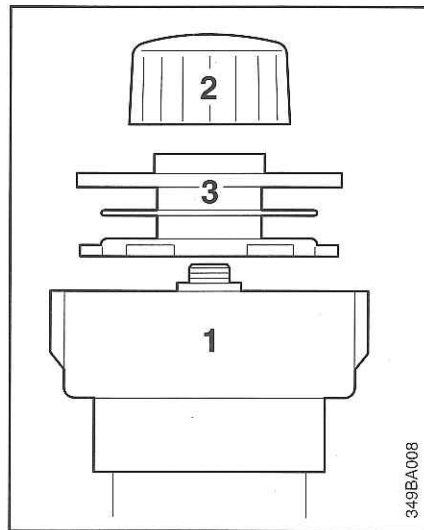
- Bump the mowing head on the ground.

Note that bump line feed will work only if both lines are at least 2.5 cm (1 in) long.

If the lines are shorter:

- Switch off the trimmer.
- Disconnect plug from power supply.
- Press down the screw cap and pull the ends of the lines firmly outward.

If ends of nylon line are not visible - see section "Mowing head maintenance".

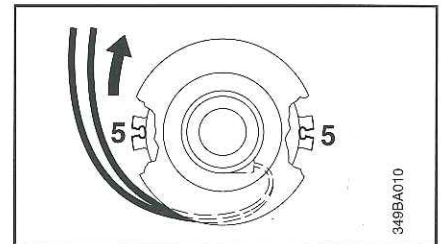
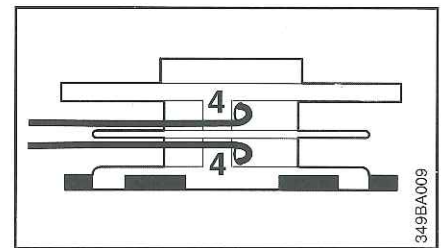


Replacing nylon line

Hold the spool housing (1) steady and unscrew the screw cap (2) counterclockwise. Take the spool (3) out of the housing - remove remaining line from the spool.

- Clean the spool housing, drive shaft and spool.
- Cut two 3.75 m (12 1/2 ft) lengths of line from the 15.2 m (50 ft) reel.

Use only identical STIHL replacement reel of nylon line of 2 mm (.08 in) dia. (see "Replacement Parts ..."). Always clean the inner spool, outer spool, and shaft before reassembling the Mowing head.



- Push the ends of the lines into the openings (4).
- Wind the lines firmly around the spool one after another* - the lower line first - in the direction of the arrow until about 10 to 14 cm (4 - 5.5 in) of line is left.
- Engage ends of lines in the slots (5). Wind the two lines firmly around the spool so that they are next to one another and do not cross over.

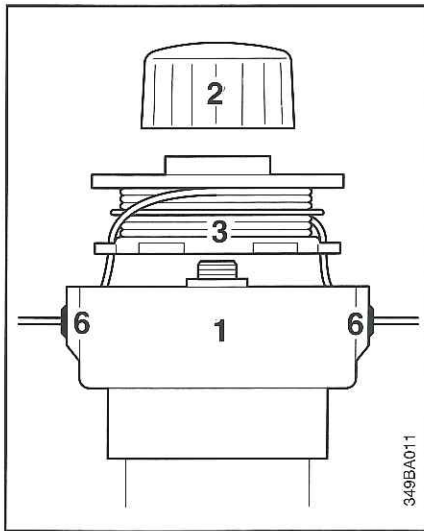
*On spools without partition:

Fitting the Harness (Special Accessory)

A harness is available as special accessory.

Wear the harness over your left shoulder and adjust its length so that the spring hook lies against your right hip.

The open side of the hook should face away from your body. Attach the spring hook to the carrying loop.



Fitting refilled spool

Hold the freshly wound

Spool (3) –
type designation facing upward –
above the
spool housing (1).

- Thread ends of the line outward
Through the sleeves (6)
and push the spool into the
spool housing at the same time.
- Place the screw cap (2)
on the drive shaft –
tighten it down clockwise.
- Pull the ends of the nylon line
firmly outward

Specifications

Motor

Rating:	600 W	650 W	660 W
Rating current:	2.6 A	2.7 A	5.5 A
Voltage:	230 V	240 V	120 V
Frequency:	50 Hz	50 Hz	60 Hz
Speed at 350 mm (14 in) cutting width:	6,900 rpm	6,800 rpm	7,100 rpm
Maximum speed (w/out nylon line):	13,500 rpm	13,500 rpm	13,000 rpm
Fuse:	10 A	10 A	15 A
Insulation:	Class II VDE 0700		Double Insulated
Radio interference suppression:	This trimmer conforms to EEC directive 76/899 and DIN 57 875		

EEC only

Equivalent sound pressure level L_p to ISO 7917:	83 dB (A)
Equivalent sound power level L_w to 84/538/EEC:	95 dB (A)

Vibration acceleration a_{eq}

to ISO 7916

Idle speed:

Handle left	8,5 (m/s ²)
Handle right	3,0 (m/s ²)

USA only

Bystander sound level (at 50 ft):	60 dB (A)
--------------------------------------	-----------

Cutting Tool

Mowing head with two nylon lines	
Line dia.:	2 mm (0.080 in)
Width of cut:	350 mm (14 in)
Nylon line in spool:	2 x 3.75 m (2 x 12.3 ft)
Line feed:	semi-automatic

Weight

Complete with deflector and mowing head:	3.85 kg (8.5 lb)
---	------------------

Dimensions

Length:	1490 mm (58.7 in)
---------	-------------------

Replacement Parts and Special Accessories

Reel nylon line (15.2 m/50 ft)	0000 930 2515
Harness	4130 710 9000
Goggles*	
Replacement spool with nylon line	4004 710 4304

* Standard equipment in some markets

Certificate of conformity

This Certificate of Conformity applies only
in the countries of the European Union.

Certificate of Conformity (Clause 8 of Directive 89/392/EEC)

I, the undersigned

Andreas Stihl AG & Co
Badstr. 115
D-71336 Waiblingen

certify that the new machine described below

Category:	Electric Lawn Trimmer
Make:	STIHL
Model:	FE 55
Serial identification:	4803
Motor	Make: Mamco Corporation
	Model: ES 29
	(STIHL No. 4803 600 0206)
	Test speed: 8,070 rpm

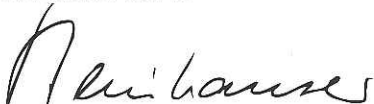
conforms to the specifications of Directive

89/392/EEC., 73/23/EEC., 89/336/EEC and 84/538/EEC

The product has been developed and manufactured in compliance with the following
standard: EN 292, EN 786, EN 60335, EN 55014, EN 55104,
EN 61000

Guaranteed sound power level:	95 dB (A)
- Type of cutting attachment:	Nylon line
- Cutting width:	35 cm
- Cutting attachment speed:	8,070 rpm

Done at Waiblingen,
February, 1999
ANDREAS STIHL



Steinhauser

Director Group Product Management

0458 349 0121
englisch/english