

STIHL SE 200, 201, 202

**Assembling
Safety Precautions
Operating Instructions
Maintenance**



Warning:
Always follow safety precautions in
Owner's Manual – improper use
can cause serious injury!

Contents

Safety Precautions	2	SE 200, 202*:	
Startup	4		
Vacuuming	6	Applications	4
Specifications	14	Maintenance/Cleaning:	
Troubleshooting Chart	15	– Cleaning/Replacing Filter Element	7
		– Emptying the Tank	8
		Main Parts of SE 200, 202	9
		SE 201*:	
		Applications	10
		Suction Power Monitor	10
		Filter Shake-down	10
		Fitting Safety Filter Bag	11
		Replacing Safety Filter Bag	11
		Cleaning Filter Element	12
		Main Parts of SE 201	13

This manual contains operating and safety instructions for your STIHL SE 200, 201, 202 vacuum cleaner. Please read and make sure you understand this manual **before operating** your vacuum for the first time. Allow only persons who understand this manual to operate your vacuum cleaner.

Pay special attention to the safety instructions outlined on pages 2 and 3. You should read these instructions carefully even if you are already familiar with the operation of an electric vacuum cleaner.

STIHL's philosophy is to continually improve all of its products. We therefore reserve the right to modify the design, engineering and equipment without prior notice. You will appreciate that no claims can be derived from the data and illustrations in this manual.

Contact your STIHL dealer if you do not understand any of the instructions in this manual.

Printed on low-chlorine paper.

© 1994 Andreas Stihl, Waiblingen

0458 642 0121. M0,5. D4. Fi. Printed in Germany x

* SE 202 and SE 201 are not available in the U.S.A.

STIHL®

IMPORTANT SAFETY INSTRUCTIONS

When using an electrical appliance, basic precautions should always be followed, including the following:

READ ALL INSTRUCTIONS BEFORE USING THIS APPLIANCE.

WARNING!

To reduce the risk of fire, burns, electric shock and other injury or damage:



The following safety precautions must be observed.

Careless or improper use of any electric vacuum cleaner may cause serious or even fatal injury.



Read the owner's manual and the safety precautions periodically.

It is important that you read, fully understand and observe the following safety precautions and warnings.

Have your STIHL dealer show you how to operate your vacuum cleaner. Observe all applicable local safety regulations, standards and ordinances.

Warning!

Do not allow your vacuum cleaner to be used as a toy. Close attention is necessary when it is used near children. Minors should never be allowed to use the vacuum cleaner. Never let the vacuum cleaner run unattended.

Do not leave the vacuum cleaner when plugged in. Always unplug from outlet when not in use.

Do not lend or rent your vacuum cleaner without the owner's manual. Be sure that anyone using your vacuum cleaner understands the information contained in this manual.

Most of these safety precautions and warnings apply to the use of all STIHL vacuum cleaners. Different models may have different parts and controls. See the appropriate section of your owner's manual for a description of the controls and function of the parts of your model vacuum cleaner.

Warning!

Never modify your vacuum cleaner in any way as this could be extremely dangerous. Only attachments supplied by STIHL or expressly approved by STIHL for use with the specific STIHL vacuum cleaner model are authorized.

Preparation for the Use of the Vacuum Cleaner

Before starting work, check that your vacuum cleaner is operating correctly and in good condition. Pay special attention to the power supply cord and plug.

Electrical Precautions

Warning!

The electrical power voltage must agree with the voltage specified on the machine's nameplate. Improper connection will damage the machine and may cause personal injury.

Avoid damage to the power supply cord. Do not roll over, crush or pull it. Do not pull the cord around sharp edges or corners. Keep away from heated surfaces. Never pull the power supply cord to disconnect the plug from the wall outlet. To unplug, grasp the plug not the cord.

Warning!

Inspect the power supply cord and plug before and after each use for signs of damage or aging.

In order to reduce the risk of serious injury from electrocution, never use your machine if the power supply cord or plug is cut, cracked, worn or damaged. Turn off power at source and have dealer replace the power supply cord or plug. If your vacuum cleaner is not working properly or if it has been dropped, damaged, left outdoors, or dropped into water, return it to your STIHL dealer.

Warning!

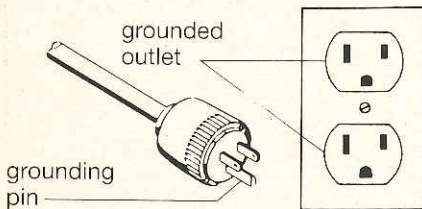
To avoid electric shock do not expose to rain. Store indoors. To reduce the risk of electric shock do not handle the plug or the unit with wet hands.

Grounding Instructions

This appliance must be grounded. If it should malfunction or breakdown, grounding provides a path of least resistance for electric current to reduce the risk of electric shock. This appliance is equipped with a cord having an equipment-grounding conductor and ground-in plug. The plug must be plugged into an appropriate outlet that is properly installed and grounded in accordance with all local codes and ordinances.

WARNING!

Improper connection of the equipment-grounding conductor can result in a risk of electric shock. Check with a qualified electrician or service person if you are in doubt as to whether the outlet is properly grounded. Do not modify the plug provided with the appliance — if it will not fit the outlet, have a proper outlet installed by a qualified electrician. This appliance is for use on a nominal 120 Volt circuit and has a ground plug that looks like the plug illustrated.



Make sure that the appliance is connected to an outlet having the same configuration as the plug. No adapter should be used with this appliance.

Working conditions

Warning!



To reduce the risk of serious injury, never attempt to pick up flammable materials (hot ashes, glowing cigarettes, etc.) or combustible fluids (gasoline, paint, thinners, etc.) as they represent a fire hazard and might cause an explosion.



Never attempt to use a vacuum cleaner in locations where there is potential for explosive or flammable atmospheres.

Never attempt to pick up toxic materials with your SE 200 or SE 202. In order to reduce the amount of dust resulting from the use of the vacuum cleaner, do not use the vacuum cleaner without filter element or with a damaged filter element. Inhaling dust or toxic materials in the air may cause an allergic reaction or serious or fatal injury.

Some toxic materials and dangerous fine dusts may be picked up with the STIHL SE 201 in combination with a heavy duty (HB) filterbag.

The STIHL SE 201 is presently NOT available in the USA.

Always remove the paper filter bag before using your vacuum cleaner for wet pickup.

In order to reduce the risk of loss of control and falling, use extra care when using the vacuum on stairs or an incline.

To reduce the risk of serious or fatal injury, do not put any object into openings. Do not use with any opening blocked; keep free of dust, lint, hair, and anything, that may reduce air flow. Keep hair, loose clothing and all parts of your body away from openings.

Maintenance and repairs

Always disconnect the plug from the power supply before cleaning or servicing the unit, replacing parts or performing any other work on the unit. Turn off all controls before unplugging.

Only authorized personnel may repair or replace the power supply cord. A damaged power supply cord must be replaced by one of the same type and rating as specified by the manufacturer. Only carry out the maintenance operations and repairs described in this manual. Other work should be performed by your STIHL servicing dealer. Only use original replacement parts for maintenance and repair. Use of parts manufactured by others may cause serious or fatal injury.

All plugs and connectors must be splashproof.

The vacuum cleaner must be protected by a 10A automatic circuit-breaker or 15A fuse.

SAVE THESE INSTRUCTIONS!

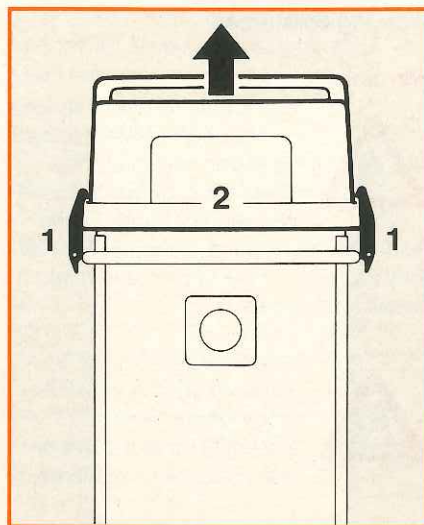
Applications

The STIHL SE 200, SE 201 and SE 202 are industrial vacuums designed to pick up dry, non-inflammable dusts. An extensive range of optional accessories is available for contract cleaners, craftsmen and various areas of industry.

The use of filter bags permits hygienic and dust-free disposal.

STIHL Series 4709 vacuums are also suitable for picking up non-combustible fluids. The filter bag must be removed from the unit for such applications.

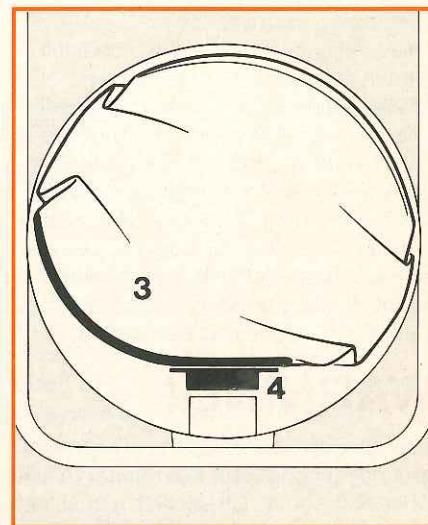
Startup



A factory-new vac comes with its accessories and one filter bag packed loosely in the tank. Remove these parts before using the vac for the first time.

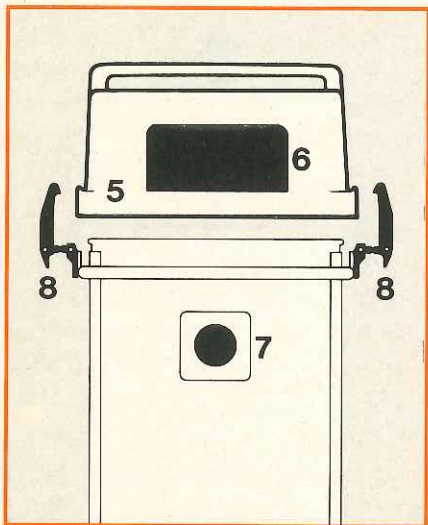
You must connect the filter bag to the air intake before using the vac for dry pickup.

- 1 = Open the catches and
- 2 = lift off the motor head vertically.
- Remove accessories from the tank.

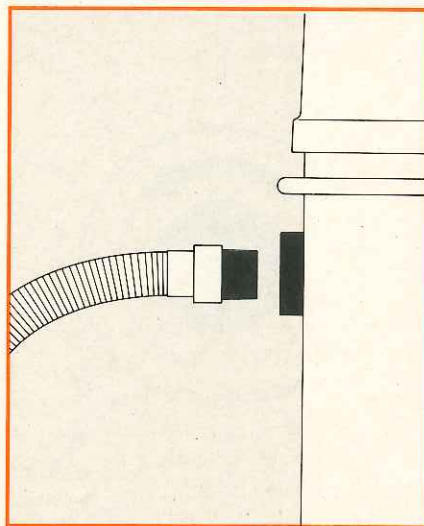


- Break through the perforations in the filter bag at the air intake

- 3 = Place the filter bag in the tank and
- 4 = fit the filter bag sleeve.



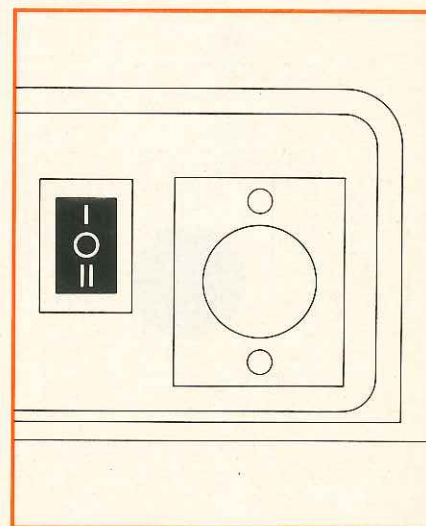
- 5 = Position the motor head on the tank so that the
- 6 = switch panel points in the same direction as the
- 7 = air intake fitting.
- 8 = Engage and close the catches.



Check that voltage specified on vac nameplate agrees with that of your power supply.

- Connect power supply cord plug to grounding-type socket protected by a suitable fuse.
- Push end of suction hose into air intake fitting.

Select accessories required for cleanup job (extension tube, floor tool, etc.).



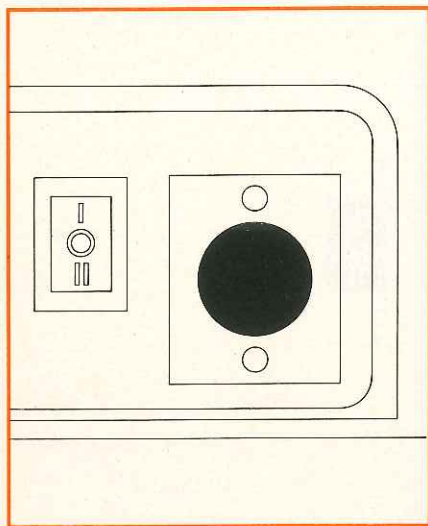
Switch Positions

- 0 = Vac off.
- I = Low setting for reduced suction power.
- II = Normal setting for maximum suction power.

(120 V models have a single – stage switch.)

Vacuuming

Maintenance/Cleaning



The socket on the vacuum's switch panel is intended for the connection of power accessories (e. g. electric brush beater-bar head). It can be used when the vac is connected to the power supply, regardless of the vac's switch position. Maximum connected load must not exceed 1200 W.

(Not applicable in the U.S.)

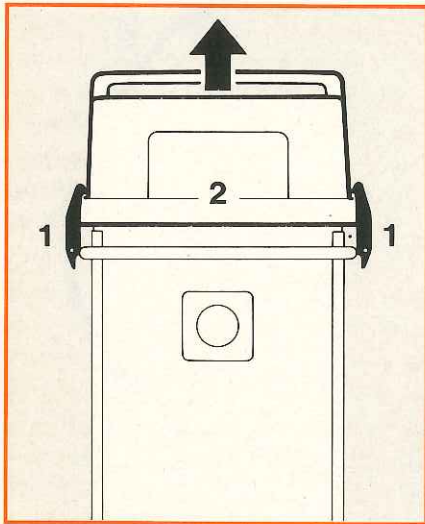
During **dry pickup** the suction power will decrease after a while. The filter element should be cleaned and/or the tank emptied when suction efficiency is unsatisfactory.

During **wet pickup** (always without filter bag) the built-in float cuts off suction completely when the tank is full and needs emptying.

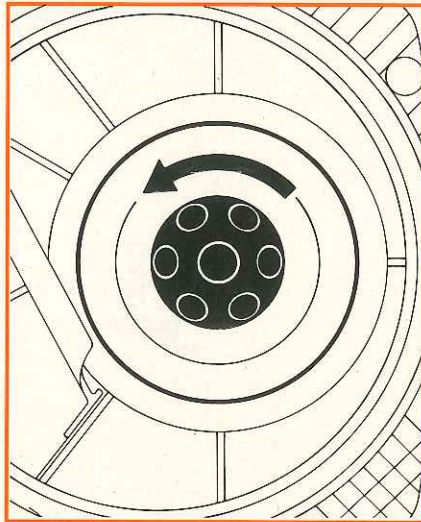
Only the maintenance operations described below may be carried out on the vacuum. Other servicing work and repairs must be performed by your STIHL servicing dealer.

The vacuum cleaner should always be stored in dry conditions after it is cleaned, and ensuring that it is inaccessible to unauthorized persons. The unit should not be stored in a hazardous area.

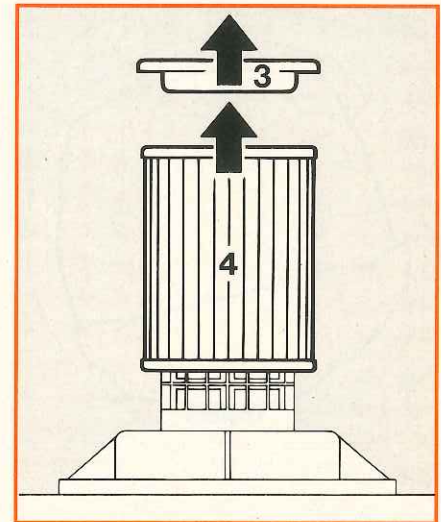
Cleaning/ Replacing Filter Element



1 = Open the catches and
2 = lift off the motor head vertically.



● Unscrew the filter clamp nut.



3 = Remove the filter retainer.
4 = Pull off filter element vertically.

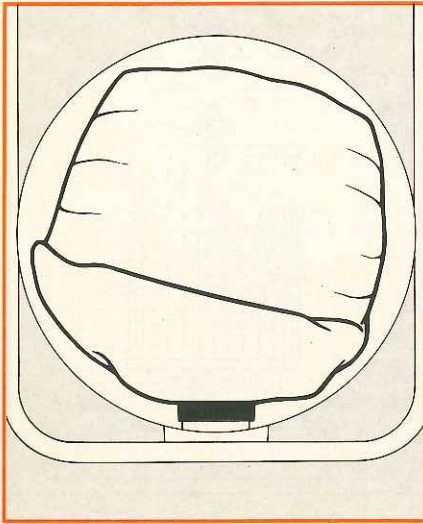
A dirty filter element can be cleaned with a soft brush or under a jet of water (do not use a high-pressure cleaner).

● If you wet-clean the filter element, allow it to dry before re-installing.

A filter element damaged by frequent cleaning or hard tools must be replaced.

● Install (new) filter element.

Emptying the Tank

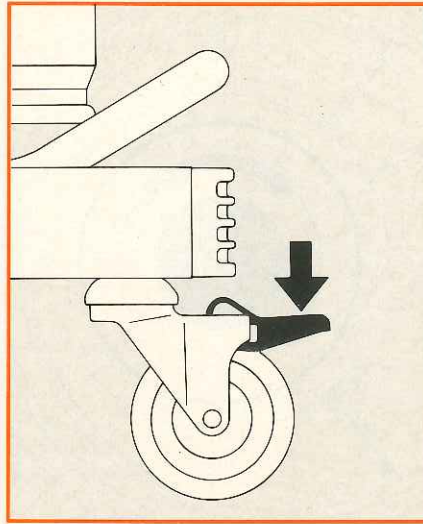


If you have been using a filter bag for dry pickup:

- Pull off the filter bag sleeve.
- Seal the filter bag with the attached cover and carefully remove it from the tank.

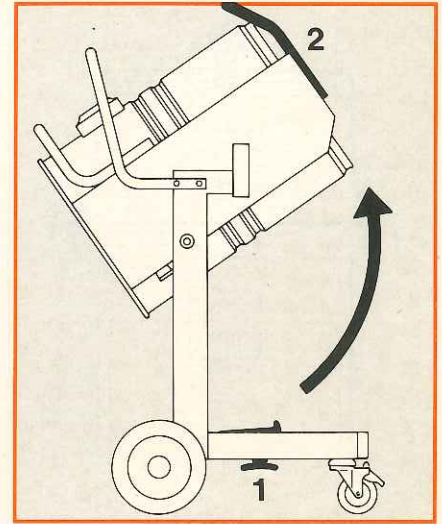
After wet or dry pickup without filter bag:

- Empty the tank and ensure safe disposal.



SE 202 only:

- Lock the casters.



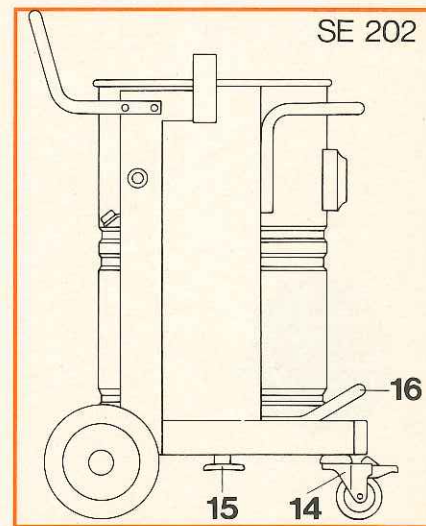
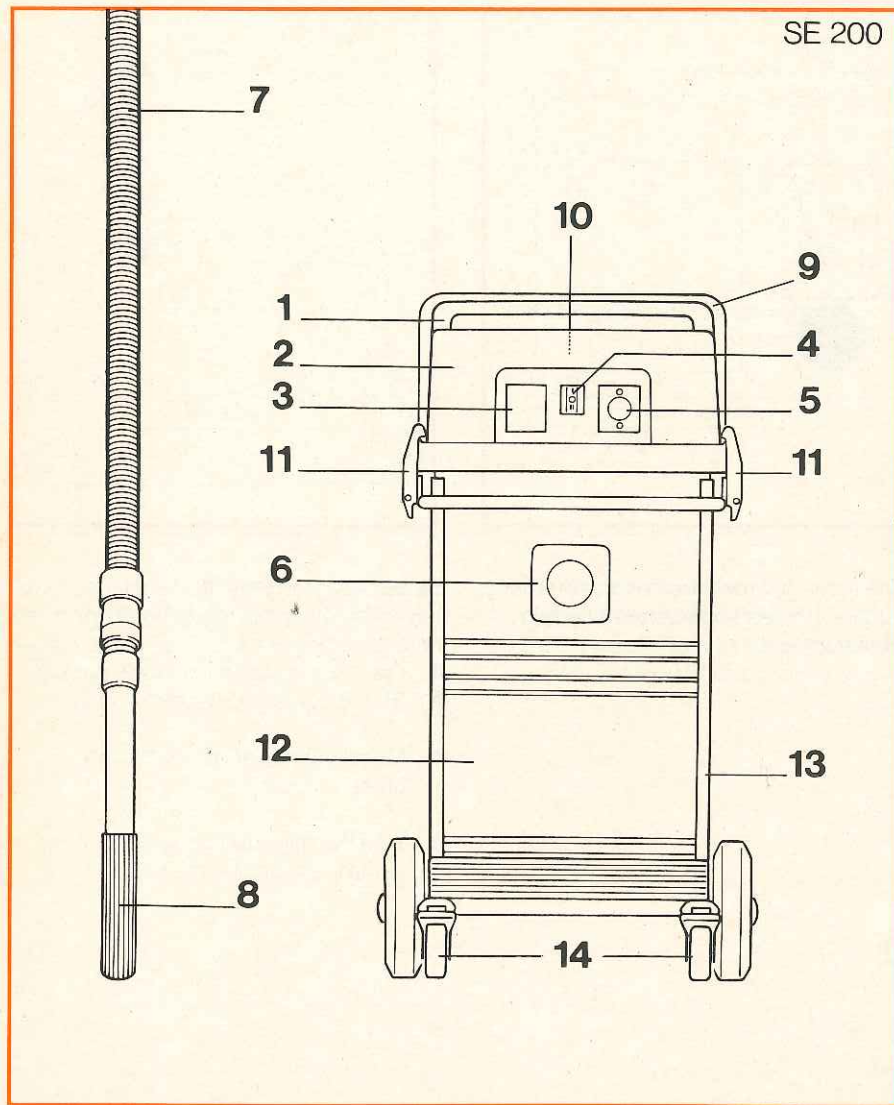
SE 202 only:

- 1 = Depress pedal and use handle to
2 = tip tank over.

Always hold the tipper handle when emptying the tank.

To reduce the risk of injury, keep hands clear of area between frame and tank when swinging tank back into position.

Main Parts

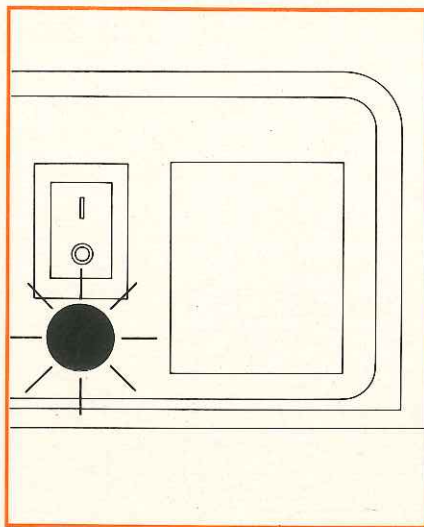


- 1 Handle
- 2 Motor head
- 3 Switch panel
- 4 On/Off switch
- 5 Power tool outlet*
- 6 Air intake fitting
- 7 Suction hose
- 8 Suction tool
- 9 Push handle
- 10 Nameplate
- 11 Catch
- 12 Tank
- 13 Base
- 14 Caster with brake
- 15 Release pedal (SE 202 only)
- 16 Tipper handle

* (not applicable in the U.S.)

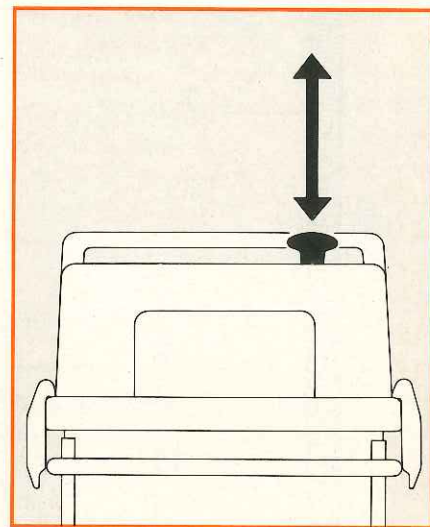
STIHL 201 Applications

Suction Power Monitor



The red indicator lamp comes on when suction power drops below a certain minimum level.

Filter Shake-down



Shake down the filter after each use and before removing the motor head from the tank.

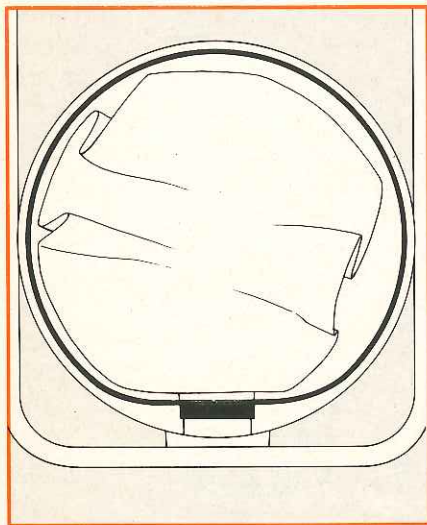
- Disconnect plug from power supply.
- Shake down the filter as follows:
 - Move knob up and down several times.
 - Wait five minutes for the dust to settle in the plastic sack.

The STIHL SE 201 is suitable for the same applications as the SE 200. However, as a result of its filter shake-down facility, suction power monitor, heavy duty (HD) filter bags and a protective bag for filter element replacement, the SE 201 is also suitable for picking up some toxic materials and extremely fine dusts.

Suitability of the SE 201, proper working procedures and proper protective clothing must be checked for the specific material to be vacuumed.

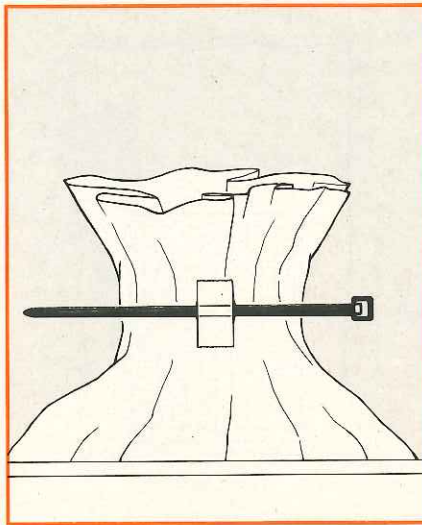
If you use the SE 201 to pick up dangerous substances, please note the following points in which the SE 201 differs from the SE 200:

Fitting HD Filter Bag

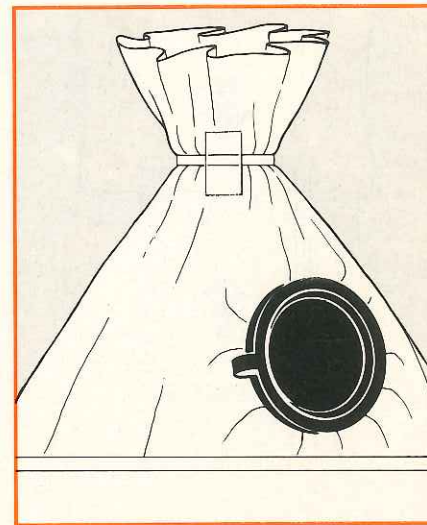


- Place the HD filter bag in the tank and fit the filter bag sleeve.
- Fold the plastic sack over the edge of the tank.

Replacing HD Filter Bag

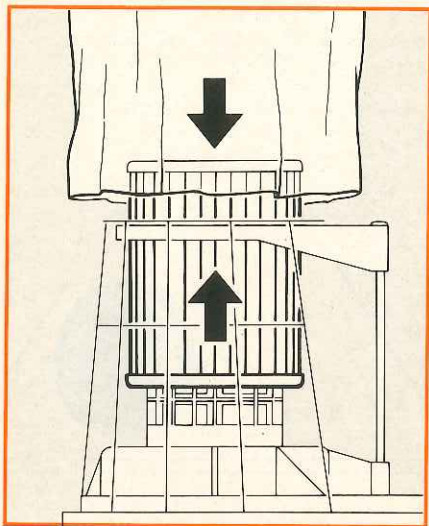


- Shake down the filter.
- Remove the motor head.
- Pull the plastic sack off the tank and seal it with the attached cable tie.

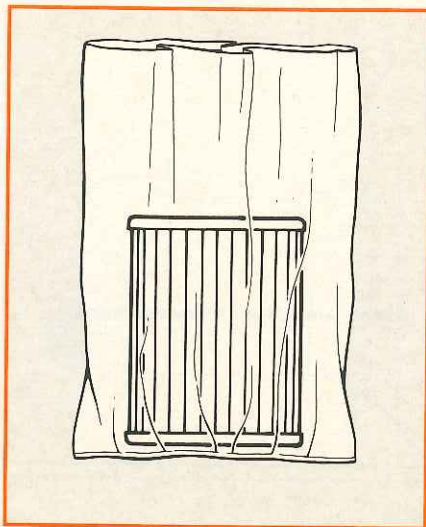


- Pull off the filter bag sleeve and seal it with the attached cover.
- Fit the new filter bag.
- Refit the motor head.

Replacing Filter Element



- Shake down the filter.
- Remove motor head.
- Unscrew the filter clamp nut and take off the filter retainer.
- Pull filter element upward about 15 cm (6").
- Slip the protective bag over the filter element.

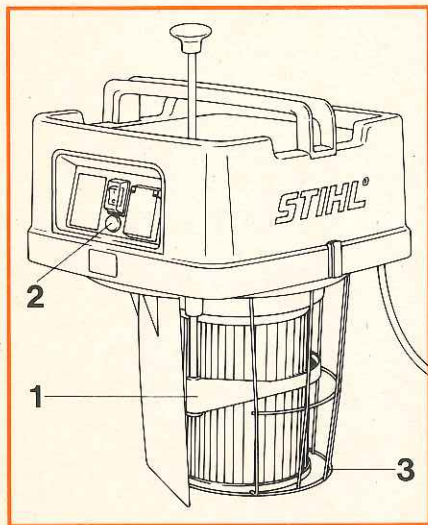


- Remove filter element completely and slide it into the protective bag.
- Tie a knot in the protective bag.
- Install a new filter element.

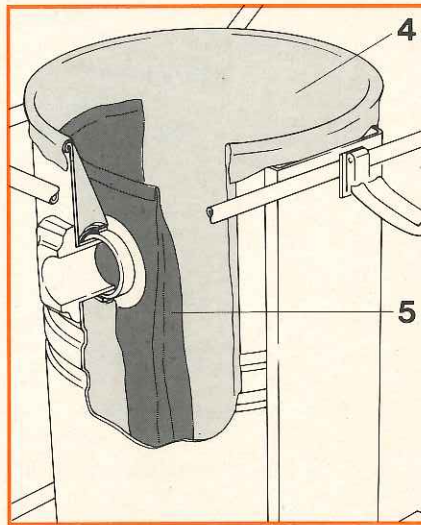
Warning!

A dirty filter element must always be replaced since hazardous dusts would otherwise be inhaled, e. g. if the element was cleaned with a brush.

Main Parts of SE 201

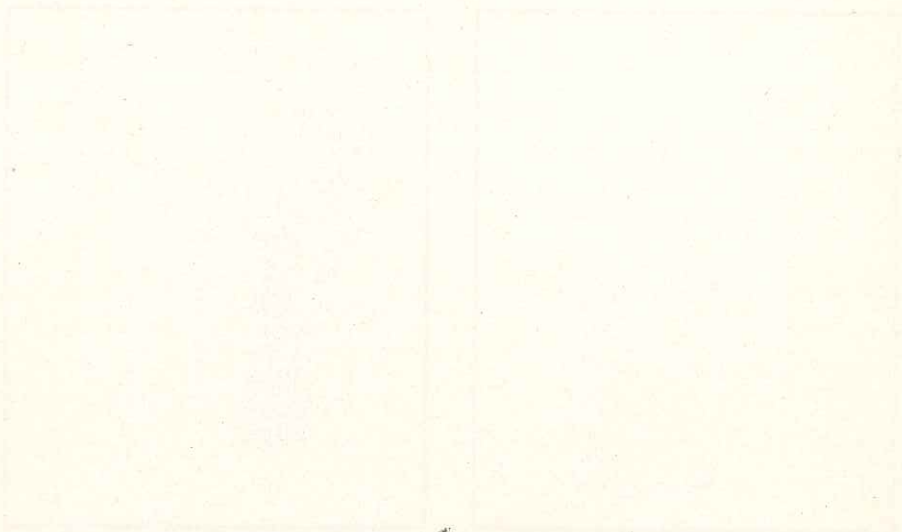


- 1 = Filter shake-down
- 2 = Suction power monitor
- 3 = Spacer frame



- 4 = Heavy duty filter bag
- 5 = Filter bag

Specifications



Performance Data

Voltage	230V/240V	120V
Frequency	50 Hz	60 Hz
Power consumption	1000W	1000W
Rated current	4.7 A	8 A
Fuse (mains socket)	10 A	10 A
Insulation	I	-
Enclosure	IP 54*	-
* Splash-proof		
Max. air flow rate	204 m ³ /h (120T/min)	204 m ³ /h (120 cft/h)
Max. water pickup capacity	13 m ³ /h (5¾ USgpm)	13 m ³ /h (5¾ USgpm)
Max. vacuum	230 mbar	230 mbar

Dimensions and Weights

Depth approx.	505 mm (19 ⁷ / ₈ in)
Width approx.	505 mm (19 ⁷ / ₈ in)
Height approx.	850 mm (33 ¹ / ₂ in)
Total weight:	
- SE 200	21 kg (46 ¹ / ₄ lb)
- SE 201	21 kg (46 ¹ / ₄ lb)
- SE 202	32 kg (70 ¹ / ₂ lb)
Power cable (length)	7.5 m (24 ¹ / ₂ ft)
Suction hose:	
- Length	4 m (13 ft)
- Diameter	36 mm (1 ⁷ / ₁₆ in)
Tank capacity	48 l (12 ³ / ₄ USgal)
Filter area	10100 cm ² (11 sq.ft)

Troubleshooting Chart

Fault	Cause	Remedy
Low suction	Suction hose blocked Tool blocked Filter element dirty	Clear suction hose. Clean tool Clean or replace element.
	Tank or filter bag full	Empty tank or replace filter bag.
No suction during wet pickup	Tank full (float has cut off suction)	Empty tank.
Motor does not run	Plug disconnected	Connect plug to socket.
	Circuit breaker has cut out	Reset
	Overload cutout has tripped	Allow motor to cool down for up to 5 minutes. If power is not restored automatically, contact STIHL dealer for assistance.
SE 201:		
Indicator lamp on switch panel lights up	Suction tool too close to surface being cleaned	Increase distance between tool and surface.
	Suction hose blocked	Clean suction hose.
	Heavy duty filter bag full.	Replace heavy duty filter bag.
	Filter element blocked.	Operate filter shake-down knob or replace filter element.

Certificate of conformity

Certificate of conformity

(Clause 8 of Directive 89/392/EEC)

I, the undersigned

Andreas Stihl
Badstr. 115
D-71307 Waiblingen

certify that the new machine
described below

Category: Vacuum cleaner
Make: STIHL
Model: SE 200, SE 201, SE 202

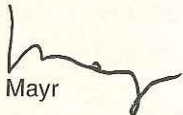
Serial
identification: 4714

conforms to the specifications
of Directive 89/392/EEC.

The product has been developed and
manufactured in compliance with the
following standard: EN 292; EN 60335

Done at Waiblingen,
April 1, 1994

ANDREAS STIHL
ppa.


Mayr

Vice President Marketing and Sales

englisch/english