

STIHL

STIHL AR 2000 L, 3000 L

Instruction Manual
Manual de instrucciones



 **WARNING**

Read Instruction Manual thoroughly before use and follow all safety precautions – improper use can cause serious or fatal injury.

 **ADVERTENCIA**

Antes de usar la máquina lea y siga todas las precauciones de seguridad dadas en el manual de instrucciones – el uso incorrecto puede causar lesiones graves o mortales.



Instruction Manual

1 - 29

Manual de instrucciones

30 - 60

Contents

1	Introduction	2	11.1 Attaching the Connecting Cord to the Battery	13
2	Guide to Using this Manual	2	11.2 Attaching and Removing the Battery and Connecting Cord to the Battery Harness	14
2.1	Signal Words	2	12 Adjusting the Backpack Battery	15
2.2	Symbols in Text	3	12.1 Adjusting the Battery Harness to Suit the Operator's Height	15
3	Main Parts	3	12.2 Positioning the Connecting Cord	15
3.1	Battery	3	12.3 Putting on the Harness	16
3.2	Battery Harness	3	13 Connecting the Backpack Battery to the Power Tool	17
3.3	Connecting Cord and AP Adapter	4	13.1 Connecting to a Power Tool with an Integrated Socket	17
4	Safety Symbols on the Product	4	13.2 Connecting to a Power Tool with a Battery Compartment	17
4.1	Backpack Battery	4	13.3 Connecting to a STIHL Battery-Powered Product Designed for Use with STIHL AR L Batteries	17
5	IMPORTANT SAFETY INSTRUCTIONS	5	13.4 Disconnecting the Battery	18
5.1	Intended Use	5	14 During Operation	19
5.2	Battery Warnings and Instructions	5	14.1 Using the Battery, Battery Harness, Connecting Cord and AP Adapter	19
5.3	Operator	7	15 After Finishing Work	20
5.4	Connecting Cord	7	15.1 Preparing for Transportation or Storage	20
5.5	Using the Backpack Battery	8	16 USB Port	20
6	Maintenance, Repair and Storage	9	16.1 Charging a USB Device	20
6.1	Warnings and Instructions	9	17 Transporting	20
7	Before Starting Work	10	17.1 Backpack Battery	20
7.1	Preparing the Backpack Battery for Operation	10	18 Storing	21
7.2	Connecting to the STIHL connected App	10	18.1 Backpack Battery	21
8	Charging the Backpack Battery	10	18.2 Battery Harness, Connecting Cord and AP Adapter	21
8.1	Setting up the Charger	10	19 Cleaning	22
8.2	Charging	11	19.1 Battery, Battery Harness, Connecting Cord and AP Adapter	22
9	LED Diagnostics and Acoustic Signals	12	19.2 Contact Surfaces of the Connecting Cord	22
9.1	Battery Status	12		
9.2	Power Tool Status	12		
9.3	Charge Status	13		
10	Turning the Bluetooth® Interface On and Off	13		
10.1	Turning the Bluetooth® Interface On	13		
10.2	Turning the Bluetooth® Interface Off	13		
11	Assembling the Backpack Battery	13		

STIHL

This instruction manual is protected by copyright. All rights reserved, especially the rights to reproduce, translate and process with electronic systems.

20	Inspection and Maintenance	22
20.1	Inspecting and Maintaining the Battery, Battery Harness, Connecting Cord and AP Adapter	22
21	Troubleshooting Guide	23
21.1	Backpack Battery	23
22	Specifications	25
22.1	STIHL AR Series Battery	25
22.2	STIHL AL 300	25
22.3	STIHL AL 500	26
22.4	Symbols on the Backpack Battery	26
22.5	Engineering Improvements	26
22.6	FCC 15 Compliance Statement	26
23	Replacement Parts and Equipment	28
23.1	Genuine STIHL Replacement Parts	28
24	Disposal	28
24.1	Battery Recycling	28
25	Limited Warranty	28
25.1	STIHL Incorporated Limited Warranty Policy	28
26	Trademarks	28
26.1	Registered Trademarks	28
26.2	Common Law Trademarks	29
27	Addresses	29
27.1	STIHL Incorporated	29

1 Introduction

Thank you for your purchase. The information contained in this manual will help you receive maximum performance and satisfaction from your STIHL backpack battery and, if followed, reduce the risk of injury from its use.

SAVE THIS MANUAL!



It is important that you read and observe the following information and warnings. Improper use can cause serious injury.



Read this instruction manual thoroughly before use and periodically thereafter. Follow all safety precautions. Careless or improper use of the backpack battery can cause serious or fatal injury.

Do not lend or rent your backpack battery without this instruction manual. Allow only persons who fully understand the information in this manual to use the backpack battery.

For further information, or if you do not understand any of the instructions in this manual, please go to www.stihlusa.com or contact your authorized STIHL servicing dealer.

2 Guide to Using this Manual

2.1 Signal Words

This manual contains safety information that requires your special attention. Such information is introduced with the following symbols and signal words:



DANGER

Indicates a hazardous situation that, if not avoided, will result in death or serious injury.

⚠ WARNING


Indicates a hazardous situation that, if not avoided, could result in death or serious injury.

NOTICE

Indicates a risk of property damage, including damage to the machine or its individual components.

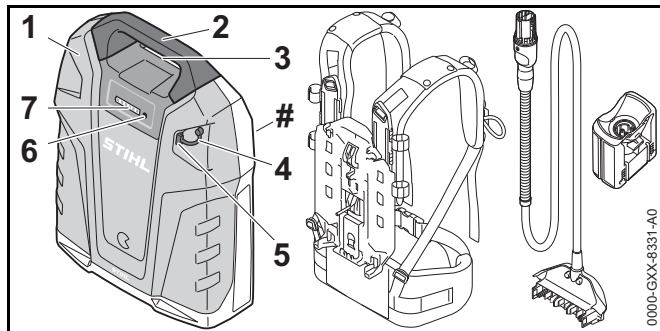
2.2 Symbols in Text

The following symbol is included to assist you with the use of the manual:

 Refers to a designated chapter or sub-chapter in this instruction manual.

3 Main Parts

3.1 Battery



1 Battery

Supplies electrical power to the tool's motor.

2 Carrying Handle

For transporting the backpack battery.

3 Socket

Socket on the battery for the connecting cord.

4 Dust Cap

Protects the USB port from moisture and dirt.

5 USB Port

Charges USB compatible electronic devices.

6 Push Button

Activates the battery's LEDs. Activates and deactivates the Bluetooth® interface.

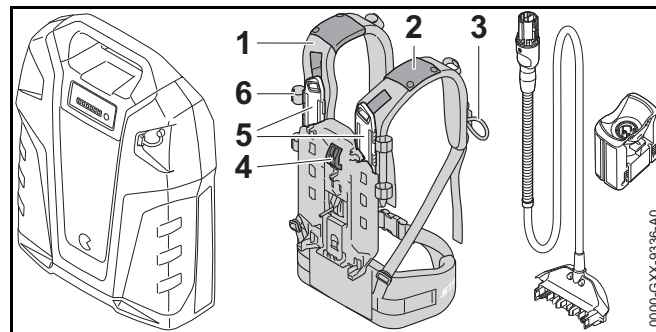
7 Battery LEDs

Indicate the battery's state of charge and display messages regarding potential malfunctions in the battery or power tool. Indicate the status of the Bluetooth® interface.

Rating Label with Serial Number

3.2 Battery Harness

The battery harness is not included with the battery.



1 Shoulder Straps

For carrying the battery while working with a handheld product.

2 Guide

Secures the connecting cord to the backpack.

3 Loop

For securing the tool-side plug at the harness when it is disconnected from the power tool.

4 Lever

For securing and releasing the battery.

5 Slide

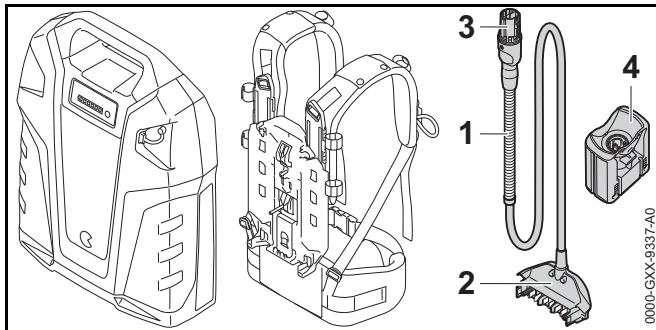
For adjusting the harness to suit the user's height.

6 Hook and Eye Fasteners

Secure the connecting cord to the backpack.

3.3 Connecting Cord and AP Adapter

The connecting cord and AP Adapter are not included with the battery.

**1 Connecting Cord**

Transmits electric current from the battery to the power tool.

2 Battery-Side Plug

Connects the connecting cord to the battery.

3 Tool-Side Plug

Fits into the power tool socket.

4 AP Adapter

Adapter for connecting the battery to a charger or STIHL power tool with an AP battery compartment.

4 Safety Symbols on the Product**4.1 Backpack Battery**

The following safety symbols are found on the backpack battery:



To reduce the risk of injury, follow the specified safety precautions.



Read and follow all safety precautions in this instruction manual and the manual for the STIHL tool powered by this battery. Improper use can lead to serious or fatal personal injury or property damage.



To reduce the risk of personal injury or property damage from fire, explosion or burns, including chemical burns, do not disassemble, crush, drop, damage or heat the battery above 212 °F (100 °C). Never expose it to fire or incinerate, 5.2.



To reduce the risk of personal injury or property damage from a short circuit, fire or explosion, keep dry. Never immerse in water or other liquids, 5.2.



To reduce the risk of personal injury or property damage from fire, never use or store the battery at ambient temperatures below - 4 °F (- 20 °C) or above 122 F (50 °C), 5.2.

5 IMPORTANT SAFETY INSTRUCTIONS

5.1 Intended Use

⚠ WARNING

- Use of STIHL AR L batteries for any purpose other than powering the STIHL tools listed below could lead to personal injury and property damage. Use only with the following STIHL power tools:
 - STIHL MSA chain saws (see important exceptions below)
 - STIHL HTA pole pruners
 - STIHL FSA trimmers and brush cutters
 - STIHL HSA hedge trimmers
 - STIHL HLA extended reach hedge trimmers
 - STIHL BGA blowers
 - STIHL RMA lawn mowers designed for use with STIHL AR L batteries
- Do not use STIHL AR L batteries with STIHL TSA cut-off machines or STIHL RMA lawn mowers designed with an AP battery compartment. Use with these products could lead to severe personal injury and property damage from entanglement of the connecting cord, loss of control, or loss of balance.
- Do not use STIHL AR L batteries with STIHL MSA top-handle chain saws while climbing in a tree for in-tree use. Use could lead to severe personal injury and property damage from entanglement of the connecting cord, loss of control, or loss of balance. Always use a lift bucket for in-tree surgery and maintenance if using an AR L battery with a MSA top-handle chain saw. Do not climb in the tree with an AR L battery.

- Use of unauthorized chargers can damage the battery and result in fire, explosion and personal injury and property damage.
 - Charge STIHL AR L batteries only with genuine STIHL AL 300 or STIHL AL 500 series chargers.
- The STIHL battery harness is designed for carrying a STIHL AR L series battery while working with a handheld product. When using the harness, the battery is carried as a backpack with the straps of the harness over both shoulders.

The STIHL AR L battery uses Bluetooth® technology to exchange information with mobile devices running the STIHL connected App.

5.2 Battery Warnings and Instructions

⚠ WARNING

- The battery contains safety features and devices which, if damaged, may allow the battery to generate heat, rupture, leak, ignite or explode.
 - Never heat the battery above 212 °F (100 °C).
 - Never incinerate or place the battery on or near fires, stoves or other high-temperature locations.
- Never use or charge a malfunctioning, damaged, cracked, leaking or deformed battery.
- Never open, disassemble, crush, drop, subject to heavy impact or otherwise damage the battery.
- Never expose the battery to microwaves or high pressures.
- Never insert objects into the battery's openings.
- Never sit or stand on the battery. Never place objects on the battery or stack batteries on top of one another.



- Extreme temperatures may cause the battery to generate heat, rupture, leak, ignite or explode, resulting in severe or fatal personal injury and property damage. Exposure to temperatures outside the recommended temperature range may also reduce battery life and performance.



- Never use or store the battery at ambient temperatures below - 4 °F (- 20 °C) or above 122 °F (50 °C). For optimum performance, STIHL recommends using/storing the battery within an ambient temperature range of 14 °F to 104 °F (- 10 °C to 40 °C).
 - Never store the battery in direct sunlight or inside a vehicle in hot weather.
- To reduce the risk of personal injury and property damage in the event the battery emits smoke, an unusual smell or feels unusually hot while using, charging or storing:
 - Immediately discontinue using or charging the battery. If you are using it, remove it from your back. Maintain a safe distance and prepare to contact the authorities in the event of fire or explosion.
 - To reduce the risk of a short circuit, which could lead to electric shock, fire and explosion:



- If the battery has been exposed to rain during work, allow it to dry indoors. Make sure it is completely dry before charging or using.
- Never immerse the battery in water or other liquids.
- Keep a battery that is not in use away from metal objects (e.g., paper clips, nails, coins, keys).
- Never store the battery connected to the power tool or charger.
- Never transport or store the battery in a metal container.
- Store the battery indoors in a dry room.
- Never store the battery in damp or corrosive environments or in conditions that could lead to corrosion of its metal components.

- Protect the battery from exposure to corrosive agents such as garden chemicals and de-icing salts.
 - Protect the battery from exposure to conductive liquids such as salt water.
 - Do not attempt to repair, open or disassemble the battery. There are no user-serviceable parts inside.
- Leaking battery fluid is potentially harmful and can cause skin and eye irritation, chemical burns and other serious personal injury.
 - Avoid contact with skin and eyes.
 - Use an inert absorbent such as sand on spilled battery fluid.
 - In the event of accidental contact, immediately rinse the contact area thoroughly with mild soap and water.
 - If fluid gets into your eye(s): Do not rub. Rinse water over the open eye(s) for at least 15 minutes and seek medical attention.
 - A battery fire can be dangerous. To reduce the risk of severe personal injury and property damage in the event of fire:
 - Evacuate the area. Fire can spread rapidly. Stay clear of any vapors generated and maintain a safe distance.
 - Contact the fire department.
 - Although water can be used to put out a battery fire, use of a multi-purpose dry chemical fire extinguisher is preferable.
 - Consult the fire department regarding proper disposal of the burned battery.

5.3 Operator

⚠ WARNING

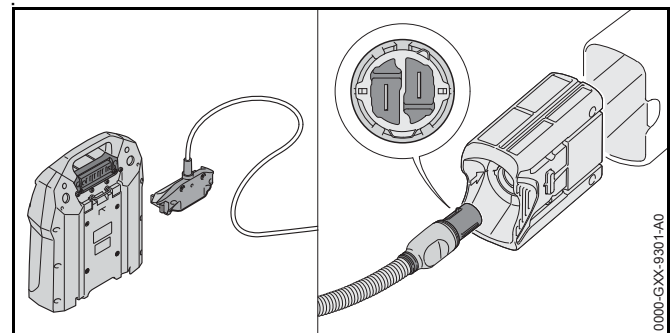
- Operating a power tool with the backpack battery can be strenuous. The operator must be in good physical condition and mental health. To reduce the risk of personal injury from fatigue and loss of control:
 - Check with your doctor before using the backpack battery if you have any health condition that may be aggravated by strenuous work.
 - Do not use the backpack battery while under the influence of any substance (drug, alcohol or medication, etc.) that might impair vision, balance, dexterity or judgment.
 - Be alert. Do not use the backpack battery when you are tired. Take a break if you become tired.
 - Do not permit minors to use the backpack battery.
 - The backpack battery is designed to be operated by one person only. Do not allow other persons in the work area.

5.4 Connecting Cord

⚠ WARNING

- Using a damaged connecting cord may result in fire, electric shock and other personal injury or property damage. To reduce these risks:
 - Check the battery's connecting cord regularly for damage. If it becomes damaged, immediately disconnect it from the power tool and battery. Never use a damaged connecting cord.
 - Do not abrade, crush, jerk, or otherwise abuse or misuse the connecting cord. Protect it from heat, oil and sharp edges.
 - If the connecting cord becomes damaged, have it replaced by an authorized STIHL servicing dealer before use. A damaged connecting cord must be replaced with an identical STIHL replacement part.

- Unplug the backpack battery from the power tool when not in use.
- Never yank or jerk the connecting cord to disconnect. To unplug the connecting cord from the backpack battery, grasp the battery-side plug, not the connecting cord.
- Make sure the connecting cord is positioned and secured so that it will not be stepped on, tripped over, come in contact with sharp objects or moving parts, or otherwise be subjected to damage or stress.
- Check the AP Adapter, the connecting cord and both plugs for signs of damage. Never use a damaged AP Adapter, connecting cord or plug.
- Make sure the insulation of the connecting cord and plugs are in good condition.
- Straighten a twisted connecting cord before use.
- Position the connecting cord so that it cannot be reached or damaged by the cutting or working attachment of the power tool being used.
- Do not use the connecting cord for any purpose other than providing an electrical connection between the battery and your authorized STIHL power tool. For example, do not use it for carrying or hanging up the battery or power tool.




- The two ends of the connecting cord are different shapes and use different electrical contacts. The battery-side plug is designed to be inserted into the backpack battery

socket. The plug on the other end is to be inserted into an AP Adapter or STIHL power tool with an integrated socket (see illustration). To reduce the risk of electric shock and damage to the battery and connecting cord:

- Never attempt to insert the wrong end of the connecting cord in the battery socket, AP Adapter or power tool (see illustration).

5.5 Using the Backpack Battery

⚠ WARNING

- Misuse may result in personal injury and property damage.
 - Use the battery, battery harness, connecting cord and AP Adapter only as described in this instruction manual.
 - Never modify the backpack battery, battery harness, connecting cord or AP Adapter in any way.
 - Use only accessories specifically authorized by STIHL for use with this backpack battery and battery harness.
 - Use the battery only with the harness described in this manual. It must not be combined with any other carrying straps.
 - Make sure the STIHL AR L series battery is securely connected to the battery harness before starting work.
- To help reduce the risk of serious personal injury or death from unintentional activation of a power tool connected to the battery:
 -  Unplug the battery from the power tool before assembling, transporting, adjusting, inspecting, cleaning, servicing, maintaining or storing the tool. Unplug the battery in the event of a malfunction or emergency and any time the tool is not in use.
 - Never leave the battery unattended when it is plugged in to a power tool.

- Disconnect the battery from the power tool and charger before storing.
- To reduce the risk of serious personal injury from loss of control during operation:
 - Read and follow all safety precautions and instructions related to the power tool connected to the battery.
 - Make sure you have good balance and secure footing at all times. Take special care in slippery conditions (wet ground, snow) and in overgrown terrain.
 - Watch for hidden obstacles such as tree stumps, roots, rocks, holes and ditches to avoid stumbling or falling.
 - Be extremely cautious when working on slopes or uneven ground, as the backpack battery may alter your center of balance.
 - Never work with the backpack battery in trees, on roofs or on ladders or any other insecure support.
 - Do not overreach.
- To reduce the risk of injury from tripping on the connecting cord or losing control of the power tool:
 - Always position and secure the connecting cord so that it will not interfere with your power tool or proper working technique. Secure the connecting cord with the hook and eye fasteners at the battery harness. Keep the connecting cord away from the cutting attachment of the power tool.
 - Remain aware of the location of the connecting cord while working. Prevent it from contacting the power tool's cutting attachment or catching on other objects, which could cause you to lose balance or control of the power tool, resulting in serious personal injury and property damage.

- Using a backpack battery, battery harness, connecting cord or AP Adapter that is damaged or improperly adjusted can lead to a malfunction and increase the risk of serious personal injury and property damage. Before starting work or charging the battery:
 - Always check the battery, battery harness, connecting cord and AP Adapter for proper condition and operation.
 - Check the battery, connecting cord, sockets, plugs and AP Adapter for corrosion, foreign matter and damage.
 - If four LEDs flash red and a rapid succession of short beeps sound for several seconds, the battery is not functioning properly. Disconnect the battery from the power tool, take it off your back and contact your authorized STIHL servicing dealer immediately. Do not attempt to use, charge or store the battery until the problem has been corrected.
 - Never attempt to use, charge or store a malfunctioning, damaged, cracked, leaking or deformed battery. Take it to your authorized STIHL servicing dealer immediately. Do not use, charge or store the battery until the problem has been corrected.
 - Make sure the shoulder straps and other features of the battery harness are in good condition, properly adjusted and secure. If they are worn, weakened, cracked or damaged, contact your authorized STIHL servicing dealer and have them replaced.

6 Maintenance, Repair and Storage

6.1 Warnings and Instructions

WARNING






- There are no user-authorized repairs for the backpack battery, battery harness, connecting cord or AP Adapter. To reduce the risk of fire, electric shock or other personal injury and property damage:
 - Do not attempt to repair, open or disassemble the battery, battery harness, connecting cord or AP Adapter. There are no user-serviceable parts.
 - Users may carry out only the cleaning and maintenance operations described in this manual.
 - Strictly follow the cleaning and maintenance instructions in the appropriate sections of this instruction manual.
 - STIHL recommends that all repair work be performed by authorized STIHL servicing dealers.
- Unintentional starting may result in personal injury or property damage. Always disconnect the battery from the power tool:
 - before inspecting, adjusting or cleaning the battery or power tool
 - before handling the power tool's cutting or working attachment
 - before leaving the battery or power tool unattended
 - before transporting or storing the battery
 - in the event of a malfunction or in an emergency
 - any time the battery is not in use.

- Use of parts that are not authorized or approved by STIHL may cause serious or fatal injury or property damage.
 - STIHL recommends that only identical STIHL replacement parts be used for repair or maintenance.
- To reduce the risk of electric shock when charging:
 - Unplug the charger from the electrical outlet before inspecting or cleaning the charger.
 - Regularly check the electrical contacts of the charger and ensure that the insulation of the power cord and plug are in good condition and show no signs of aging (brittleness), wear or damage.
 - Have a damaged power supply cord or AP Adapter replaced by an authorized STIHL servicing dealer.
- To reduce the risk of short circuit and fire:
 - Keep the charger and the AP Adapter free of foreign matter. Clean as necessary with a dry cloth or soft, dry brush.
- Improper storage can result in unauthorized use and damage, which can increase the risk of fire, electric shock and other personal injury or property damage. Before storing:
 - Remove the connecting cord from the power tool or AP Adapter.
 - Remove the AP Adapter from the power tool or charger.
 - Store the battery, battery harness, connecting cord and AP Adapter indoors in a dry, secure place that cannot be accessed by children or other unauthorized users.
 - Never store the battery, connecting cord or AP Adapter in damp or corrosive environments or in conditions that could lead to the corrosion of metal components.
 - Never store the battery plugged into the AP Adapter or power tool.
 - Never store the battery in a metal container or in a container with metal objects (e.g., paper clips, nails, coins, keys).


7 Before Starting Work

7.1 Preparing the Backpack Battery for Operation

Before starting work:

- ▶ Check the battery status,  9.1.
- ▶ Fully charge the battery,  8.
- ▶ Clean the battery,  19.
- ▶ If the connecting cord is used:
 - ▶ Clean the contact surfaces on the connecting cord,  19.2.
 - ▶ Position the connecting cord,  12.2.


7.2 Connecting to the STIHL connected App

- ▶ Turn on your mobile device's Bluetooth® interface.
- ▶ Turn on the battery's Bluetooth® interface,  10.1
- ▶ Download the STIHL connected App from Google Play or the App Store.
- ▶ Follow in-app instructions for creating a new user account. Returning users should log in their existing account information.
- ▶ Follow the step-by-step instructions for adding the battery to your equipment list.

8 Charging the Backpack Battery

8.1 Setting up the Charger

WARNING

Read and follow the safety precautions on the battery and charger and the warnings and instructions in this manual,  5.2, and in the charger's manual. To reduce the risk of short circuit, which could lead to electric shock, fire and explosion, make sure the charger and its components are dry and not damaged; operate the charger indoors at an appropriate ambient temperature.

⚠ WARNING

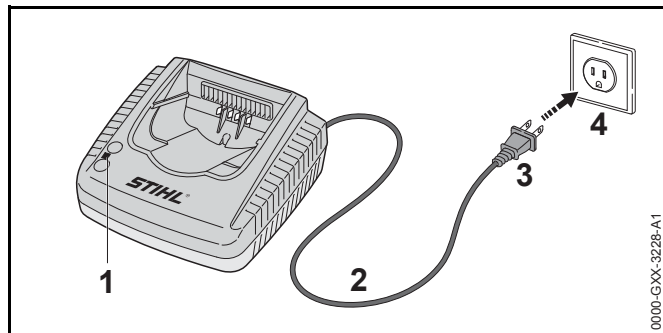
A typical household electric circuit is between 15 and 20 amps. A single STIHL AL 500 charger draws approximately 4.8 amps. A single AL 300 charger draws approximately 4.4 amps. To reduce the risk of fire from overloading an electrical circuit:

- ▶ Ensure the electrical system is rated to withstand the expected electrical draw before charging your battery.
- ▶ Charge multiple batteries one at a time or on separate circuits, unless you know your circuit can handle the total expected draw from multiple chargers.

⚠ WARNING

Since the charger heats up during the charging process, do not operate the charger on a combustible surface or in a location where combustible gases, liquids, vapors, dusts or other materials and substances are present.

To set up the charger:



- ▶ Insert the plug (3) into a properly installed electrical outlet (4) matching the voltage and electrical frequency stated on the charger's rating plate.

The charger runs a self-test immediately after it is plugged in. The charger LED (1) will glow green for about 1 second, then it will glow red briefly before going out. Once the LED goes out, the self-test is complete and the charger is ready to charge the battery.

- ▶ Position the power supply cord (2) so that it will not be stepped on, tripped over, come in contact with sharp objects or moving parts or otherwise be subjected to damage or stress.

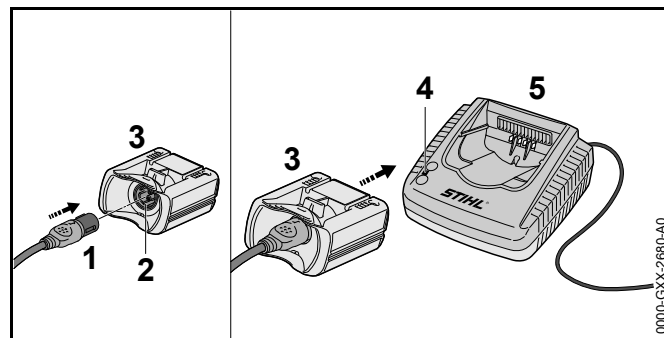
8.2 Charging

⚠ WARNING

STIHL batteries contain safety features and devices which, if damaged, may allow the battery to generate heat, rupture, leak, ignite or explode. Never charge a malfunctioning, damaged, cracked, leaking or deformed battery or use a charger that has been damaged, 5.2. Never insert a wet AP Adapter. Never use a wet charger, 5.2. Follow all product-specific warnings and instructions accompanying your charger.

To charge the battery:

- ▶ Attach the connecting cord to the battery.



- ▶ Push the plug of the connecting cord (1) into the socket (2) of the AP Adapter (3) until it stops.
- ▶ Push the AP Adapter into the charger (5) until it stops. The LED on the **charger** (4) glows green when the battery is charging.

The LEDs on the **AR battery** glow green and show the state of charge.

When the LEDs on the battery turn off, the charging process is complete and the charger will shut itself off. The AP Adapter can be removed from the charger.

- ▶ Disconnect the power supply cord from the electrical outlet when the charger is not in use for extended periods of time.

A battery is not fully charged when it ships from the factory. STIHL recommends that you fully charge the backpack battery before using it the first time.

Operate the charger indoors in a dry room. For optimum performance, STIHL recommends operating the charger within an ambient temperature range of 41 °F to 104 °F (5 °C to 40 °C).

The battery heats up during operation of the power tool. If a hot battery is connected to the charger, it may be necessary for it to cool down before charging starts. The charging process begins only after the battery has cooled down sufficiently.

Charging time depends on a number of factors, including battery condition and the ambient temperature. For a complete list of approximate charging times, see www.stihl.com/charging-times.

9 LED Diagnostics and Acoustic Signals

9.1 Battery Status

Six LEDs and an acoustic signal indicate the status of the battery.



1 A short beep

The acoustic signal works as it should.

2 Three short beeps

The Bluetooth® signal is switched on or off.

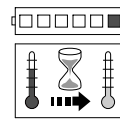
3 Six long beeps

The battery's charge is low. Recharge the battery.

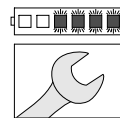
4 Rapid succession of short beeps

There is a malfunction in the battery. The signal stops automatically after a few seconds. Do not attempt to charge, use or store the battery. Replace the battery.

These LEDs can glow or flash green, red or blue.



If one LED glows red continuously: the battery is either too hot or too cold. Allow the battery to warm up or cool down gradually at an ambient temperature of about 50 °F to 68 °F (10 °C to 20 °C).



If the four right side LEDs flash red and a rapid succession of several short beeps is emitted: the battery has a malfunction and must be replaced. Do not attempt to charge, use or store the battery.

If the first LED on the right side glows blue for about three seconds and three short beeps are emitted: the Bluetooth® interface is turned on.

If the first LED on the right side flashes blue six times and three short beeps are emitted: the Bluetooth® interface is turned off.

- ▶ Be aware that your ability to hear the acoustic signal may be reduced when wearing hearing protection.

9.2 Power Tool Status

When the battery is connected to the power tool, the same LEDs on the battery will indicate the status of the power tool.

If three LEDs glow red continuously: the power tool motor is too hot. Allow the motor to cool down.

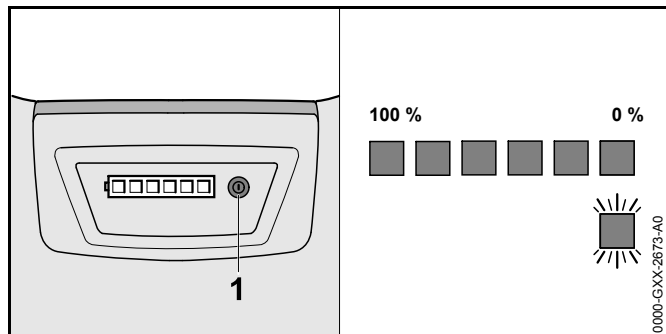
If three LEDs flash red when you activate the trigger switch: the power tool has an electrical malfunction. Do not operate the power tool. Have it checked by an authorized STIHL servicing dealer before use or storage.

For troubleshooting information, see 21. For more information about transporting a malfunctioning battery, see 17.

9.3 Charge Status

The LEDs and acoustic signals on the battery also indicate the battery's state of charge.

To determine the battery's state of charge:



- ▶ Press the button (1) on the backpack battery.

A single short beep will be emitted. The LEDs on the battery will glow or flash green for about 5 seconds and indicate the state of charge (see illustration).

For example:

If six green LEDs glow continuously: full charge.

If one green LED is flashing and six long beeps are emitted: less than 20 % charge.

10 Turning the Bluetooth® Interface On and Off

10.1 Turning the Bluetooth® Interface On

- ▶ Press and hold the button for about 3 seconds. If the first LED on the right side glows blue for about 3 seconds and three short beeps are emitted, the battery's Bluetooth® interface is on.

10.2 Turning the Bluetooth® Interface Off

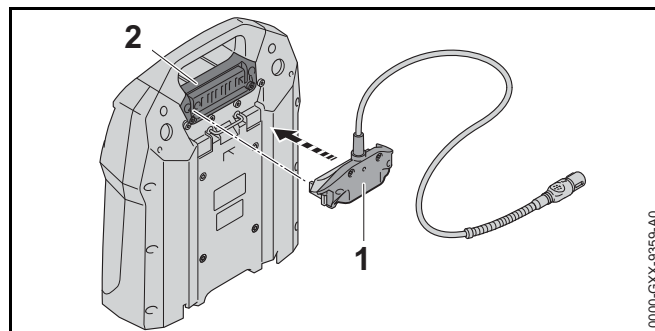
- ▶ Press and hold the button for about 3 seconds. If the first LED on the right side flashes blue six times and three short beeps are emitted, the Bluetooth® interface is off.

11 Assembling the Backpack Battery

11.1 Attaching the Connecting Cord to the Battery

To attach the connecting cord:

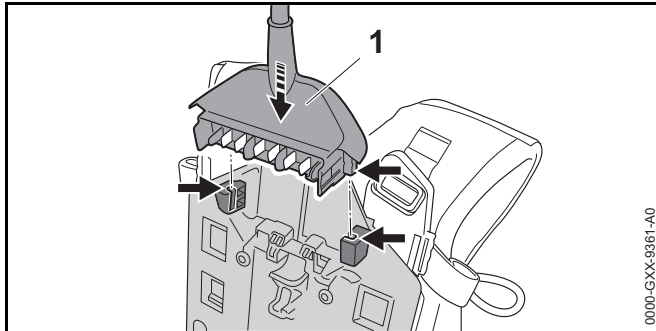
- ▶ Unplug the battery from the power tool.



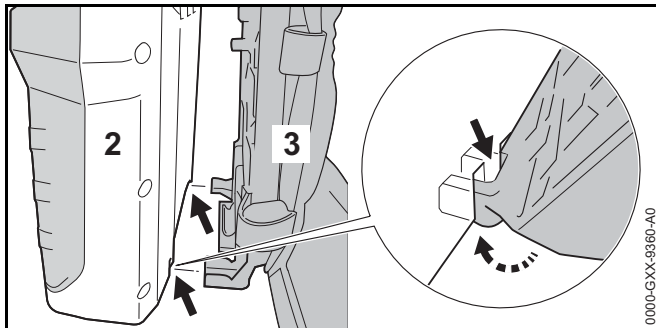
- ▶ Insert the plug (1) in the battery's socket (2) with the connecting cord facing up.

11.2 Attaching and Removing the Battery and Connecting Cord to the Battery Harness

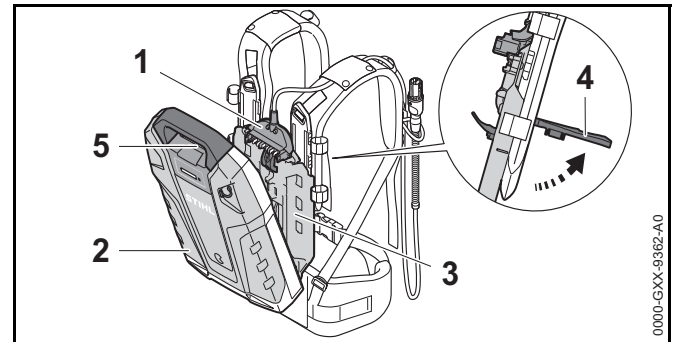
11.2.1 Attaching the Battery and Connecting Cord to the Battery Harness



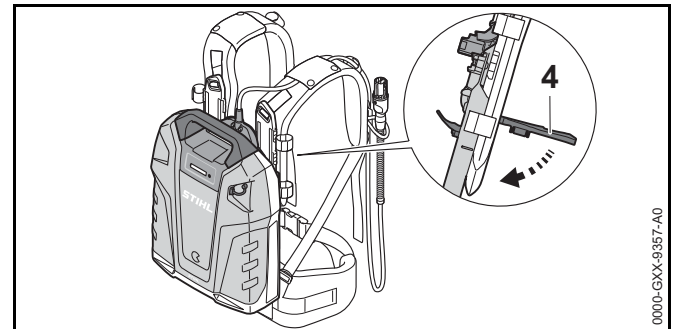
- ▶ Insert the plug (1).



- ▶ Position the battery (2) on the battery harness (3) so that the guides on the battery harness engage the recesses in the battery.



- ▶ Open the lever (4) and hold it there.
- ▶ Press the battery harness (3) against the battery (2) until the plug (1) connects to the socket (5).



- ▶ Swing the lever (4) down until it snaps into place.

NOTICE

Make sure the battery is securely attached to the harness before starting work.

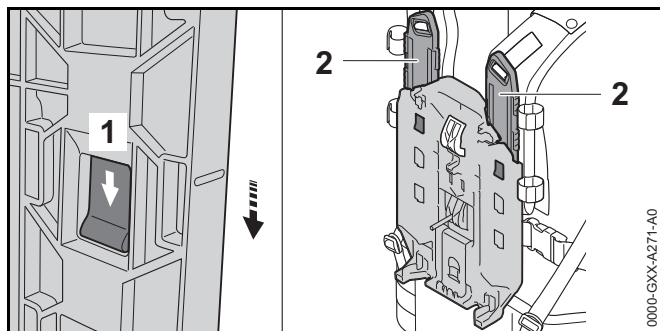
11.2.2 Removing the Battery and Connecting Cord from the Battery Harness

- ▶ Open the lever.
- ▶ Remove the battery.
- ▶ Remove the plug from the battery harness.

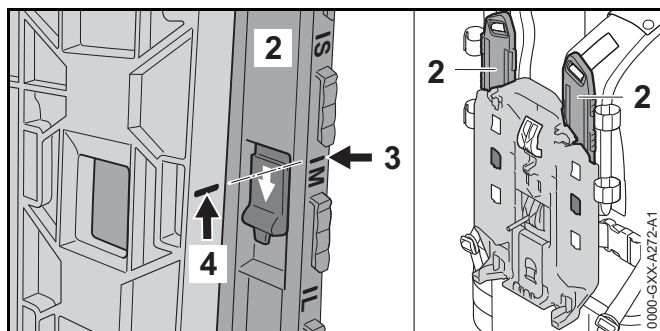
12 Adjusting the Backpack Battery

12.1 Adjusting the Battery Harness to Suit the Operator's Height

The battery harness can be set to positions S, M or L to suit the operator's height.



- ▶ Depress the locking tab (1) and push it in the direction of the arrow.
- ▶ Remove the slide (2).



- ▶ Line up mark (3) with mark (4).
- ▶ Insert the slide (2).
- ▶ Pull the slide up (opposite the direction of the arrow). It will engage with a click.
- ▶ Adjust the slide at the left and right shoulder straps to the same position.

12.2 Positioning the Connecting Cord

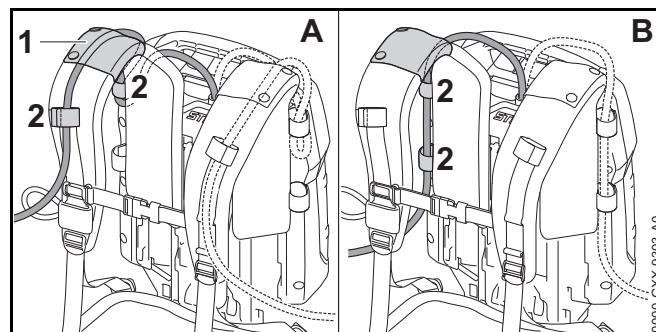
⚠ WARNING

To reduce the risk of injury from tripping on the connecting cord or losing control of the power tool, always secure the connecting cord with the hook and eye fasteners as described below. Always position and secure the connecting cord so that it will not interfere with the proper working technique as described in the instruction manual for the power tool you are using, or your ability to maintain control of the power tool.

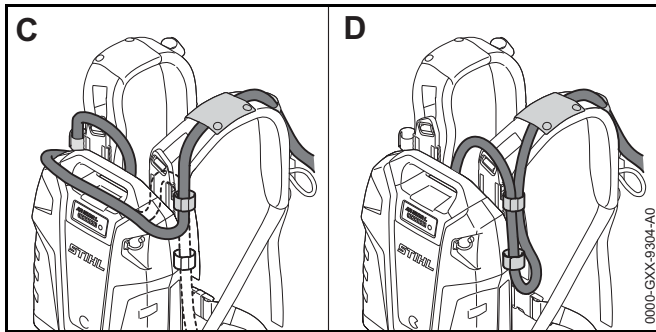
⚠ WARNING

Manage the cord to prevent it from contacting the cutting/working attachment or catching on objects, which could cause you to lose balance or control of the power tool, resulting in serious personal injury and property damage.

The connecting cord can be secured in different positions and adjusted to suit the height and reach of the operator.



The connecting cord can run through the guide (1) on the shoulder strap (Illustration A), or along the back plate (Illustration B). Secure the connecting cord to the harness with the hook and eye fasteners (2). Always secure the connecting cord using the guide or hook and eye fasteners on the side of the body on which the power tool is held and controlled. Do not allow the connecting cord to swing across your body or hang at your side.



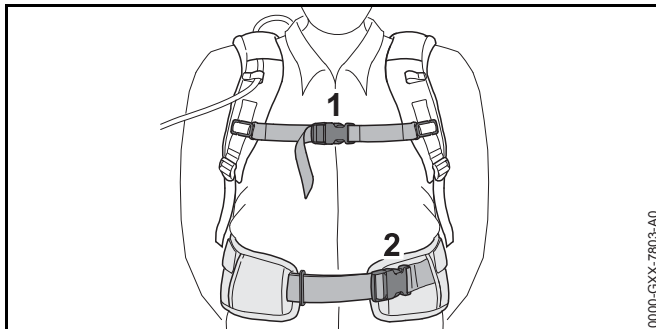
The length of the connecting cord can be adjusted by making a loop around the top (Illustration C) or on the side (Illustration D) of the backpack battery with the hook and eye fasteners.

12.3 Putting on the Harness

! WARNING

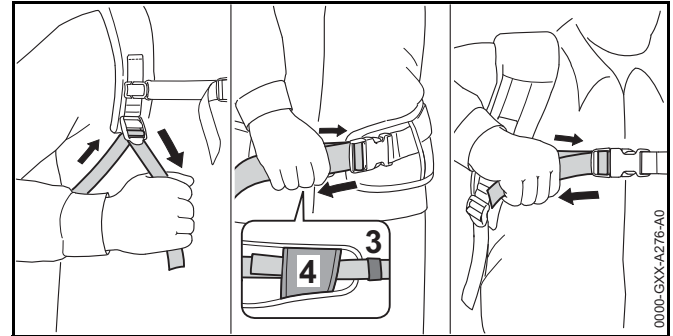
The operator must be able to remove the backpack battery quickly in the event of an emergency. In an emergency, open and remove the waist belt and chest strap quickly before dropping the battery to the ground.

To ensure a proper fit:



- ▶ Put the backpack battery on your back.
- ▶ Fasten and adjust the waist belt (2) so that it rests comfortably but securely on your hips.

- ▶ Fasten the chest strap (1) and adjust it so that it fits comfortably but securely across your chest.



- ▶ Adjust the harness straps so that the back padding fits snugly and securely against your back.
- ▶ Always wear the battery harness over both shoulders.
- ▶ Thread the end of the waist belt through the loops (3) and (4).
- ▶ To remove the harness, open the quick-release fasteners on the waist belt and chest strap and loosen the harness straps by lifting the sliding adjusters.

To help reduce the risk of injury in the event of an emergency, practice quickly opening the fasteners on the waist belt and chest strap, loosening the shoulder straps and removing the battery.

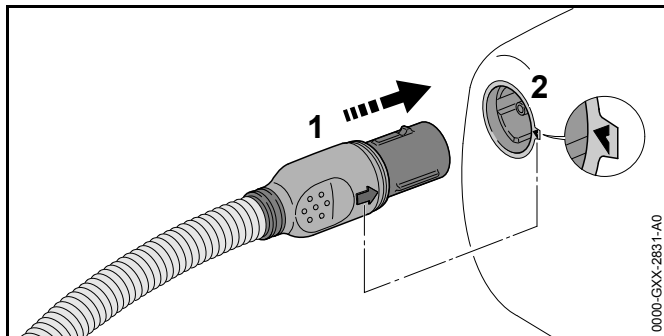
NOTICE

To avoid damage, ease the battery to the ground when practicing. Do not allow the battery to drop to the ground and do not throw it.

13 Connecting the Backpack Battery to the Power Tool


13.1 Connecting to a Power Tool with an Integrated Socket

To connect the battery to a power tool with an integrated socket:



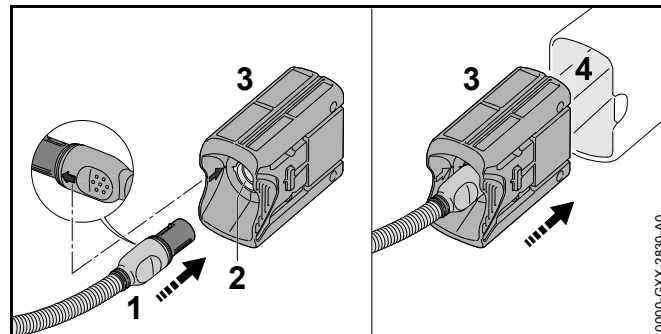
- ▶ Line up the arrow on the connecting cord plug (1) with the arrow on the power tool socket (2).
- ▶ Push the plug into the socket with steady, even pressure until it is fully inserted. The battery and power tool are now connected.

For further information on activating and operating the power tool, see the instruction manual of the power tool being operated with this battery.

Since a new battery is not fully charged, STIHL recommends that you fully charge the battery before using it the first time,  8.


13.2 Connecting to a Power Tool with a Battery Compartment

To connect the battery to a power tool with a battery compartment:



- ▶ Line up the arrow on the connecting cord plug (1) with the arrow on the AP Adapter (3).
- ▶ Push the plug into the AP Adapter socket (2) with steady, even pressure until it is fully inserted.
- ▶ Push the AP Adapter into the power tool's battery compartment (4) until it engages with an audible click. The battery and the power tool are now connected.

For further information on activating and operating the power tool, see the instruction manual of the power tool being operated with this battery.

Since a new battery is not fully charged, STIHL recommends that you fully charge the battery before using it the first time,  8.

13.3 Connecting to a STIHL Battery-Powered Product Designed for Use with STIHL AR L Batteries

To connect the battery to a power tool that accepts a direct connection of the AR L battery:

- ▶ Connect the battery as described in the power tool instruction manual.

13.4 Disconnecting the Battery

- ▶ Switch off the power tool as described in its instruction manual.
- ▶ If a power tool with an integrated socket is used, pull the plug out of the power tool socket with steady, even pressure.
- ▶ If a power tool with battery compartment is used, remove the AP Adapter from power tool's battery compartment and then pull the plug out of the AP Adapter socket with steady, even pressure.
- ▶ If you are using power tool that accepts a direct connection of the AR L battery: Disconnect the battery as described in the power tool instruction manual.

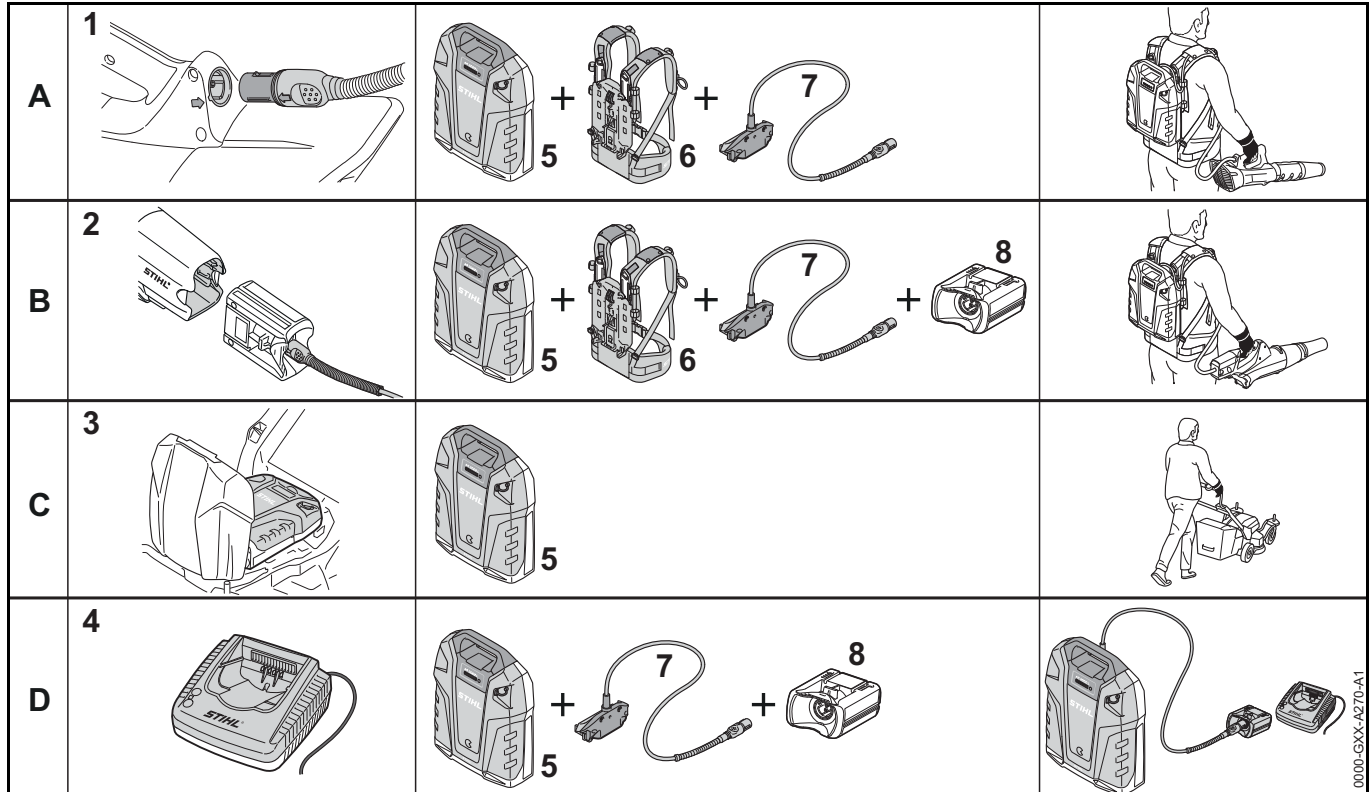
NOTICE

Avoid exposing the battery to excessive heat or cold or prolonged periods of direct sunlight. Use or storage outside the recommended ambient temperature range can reduce the performance and/or service life of the battery.

For further information on activating and operating the power tool, see the instruction manual of the power tool being operated with this battery.

14 During Operation

14.1 Using the Battery, Battery Harness, Connecting Cord and AP Adapter



A. When using a STIHL battery-powered product designed with a socket (1):

Use the battery (5), battery harness (6) and connecting cord (7).

B. When using a STIHL battery-powered product designed with an AP battery compartment (2):

Use the battery (5), battery harness (6), connecting cord (7) and AP Adapter (8).

C. When using a STIHL battery-powered product designed for use with STIHL AR L batteries (3):

Connect the battery (5) directly into the product.


D. When charging with a STIHL AL series charger (4):

Use battery (5), connecting cord (7) and AP Adapter (8). Insert the AP Adapter directly into the charger.

15 After Finishing Work

15.1 Preparing for Transportation or Storage

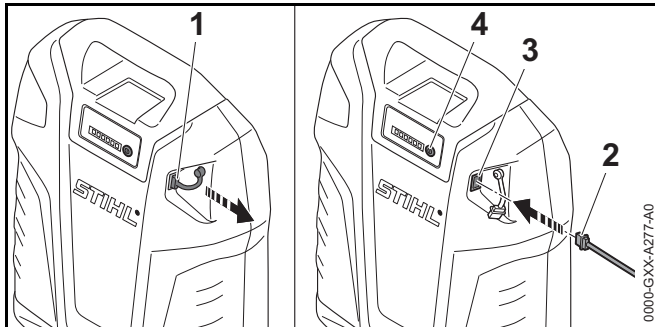
To prepare the battery for transportation or storage:


- ▶ Switch off the power tool as described in its instruction manual.
- ▶ Disconnect the battery,  13.4.
- ▶ If the battery, battery harness, connecting cord or AP Adapter become wet during operation, allow them to dry separately and completely before charging or storing.

16 USB Port

16.1 Charging a USB Device

To charge a USB device with the battery:




- ▶ Pull out the dust cap (1).
- ▶ Insert the USB plug in the battery's USB port (3).
- ▶ Press the button (4) on the battery.
The USB device is charging. If the USB device is not charging, the charging current provided by the battery is too low for the USB device,  22.1. The USB device cannot be charged.

- ▶ Remove any USB device connected to the USB charging port and insert the dust cap (1) in the USB port (3) before attempting to operate the battery.

17 Transporting

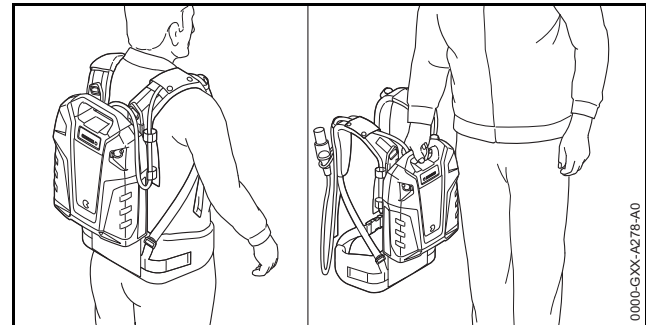
17.1 Backpack Battery

WARNING

To reduce the risk of a short circuit, which could lead to electric shock, fire and explosion, never transport the battery in a metal container or near metal objects (e.g., paper clips, nails, coins, keys),  5.2.

When transporting an undamaged and properly functioning battery:

- ▶ Disconnect the battery from the power tool.



- ▶ Carry the battery on your back or by the handle.
- ▶ Never transport the backpack battery in a metal or other container that is capable of conducting electricity, or near metal objects (e.g., paper clips, nails, coins, keys).
- ▶ If you are placing the battery in a container or transporting it in a vehicle, secure it and its container against turnover, impact and damage.
- ▶ Never sit or stand on the battery. Never place objects on the battery or stack batteries on top of one another.

WARNING

Special precautions must be taken when transporting a damaged or malfunctioning battery. To reduce the risk of accidents, always contact your STIHL servicing dealer before transporting such a battery.

STIHL backpack batteries comply with the requirements set forth in UN-Manual ST/SG/AC.10/11/Rev.5/Part III, Subsection 38.3.

Commercial air, vessel and ground transportation of lithium ion cells and batteries is regulated. The backpack battery is classified as a UN 3480, Class 9, packaging group II product. Shipping it, either as a complete tool or the battery, requires compliance with all applicable shipping regulations. Check with the ground, vessel, air cargo or passenger airline to determine if transport is prohibited or subject to restrictions or exemptions prior to shipping or travel.



Normally, no further conditions have to be met by the user in order to transport STIHL backpack batteries by road to the power tool's operating site. Check and comply with any special regulations that may apply to your situation.

For further information please go to www.stihlusa.com/battery-transportation-safety (for Canada: www.stihl.ca).

18 Storing




18.1 Backpack Battery

WARNING

To reduce the risk of a short circuit, which could lead to electric shock, fire and explosion, never store the battery in a metal container or near metal objects or in wet or damp conditions,  5.2. If the battery is damp or wet, allow it to dry thoroughly before storing,  5.2.

WARNING

Extreme temperatures can damage the battery and may also cause the battery to generate heat, rupture, leak, ignite or explode, resulting in severe or fatal personal injury or

property damage,  5.2. Never use or store the battery at ambient temperatures below - 4 °F (- 20 °C) or above 122 °F (50 °C).,  5.2. Never store the battery in direct sunlight or inside a vehicle in hot weather,  5.2.

To properly store the battery:

- ▶ Disconnect the battery from the power tool or the charger.
- ▶ Make sure the battery is dry and store it indoors in a dry and secure location.
- ▶ Keep it out of the reach of children and other unauthorized persons.
- ▶ Protect the battery against dampness and corrosive agents such as garden chemicals and de-icing salts.
- ▶ Protect the battery from exposure to conductive liquids such as salt water.
- ▶ For maximum battery life, store the battery at an ambient temperature between 50 °F and 68 °F (10 °C and 20 °C) with a charge between 30 % and 45 % (2 green LEDs).
- ▶ Do not leave spare batteries unused. Use them in rotation.

18.2 Battery Harness, Connecting Cord and AP Adapter


To properly store the battery harness, connecting cord and AP Adapter:

- ▶ Make sure the battery harness, connecting cord and AP Adapter are dry and store them indoors in a dry and secure location.
- ▶ Keep them out of the reach of children and other unauthorized persons.
- ▶ Do not use the connecting cord for carrying or hanging up the battery, battery harness or AP Adapter.

19 Cleaning

19.1 Battery, Battery Harness, Connecting Cord and AP Adapter

! WARNING

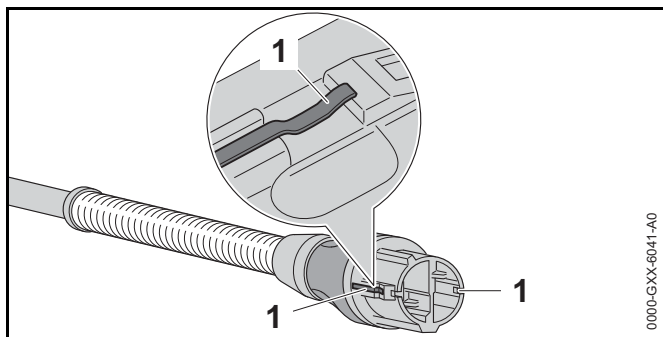
To reduce the risk of personal injury from unintended activation, unplug the battery before carrying out any cleaning work,  6. Users of this battery should carry out only the cleaning described in this manual.

To clean the battery, battery harness, connecting cord and AP Adapter:

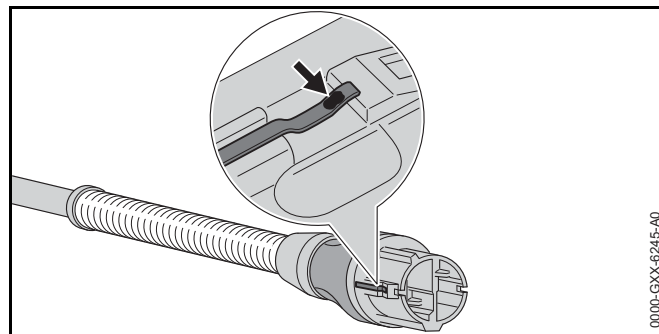
- ▶ Clean dust and dirt off the battery, connecting cord and AP Adapter with a dry cloth or soft, dry brush.
- ▶ Clean dust and dirt off the battery harness with a brush or damp cloth.
- ▶ Do not use solvents or aggressive detergents. They may damage the polymer housing and other components.
- ▶ Do not spray the battery, connecting cord or AP Adapter with water or other liquids.

19.2 Contact Surfaces of the Connecting Cord

- ▶ Disconnect the backpack battery,  13.4.



- ▶ Clean the contact surfaces (1) with a dry cloth.




- ▶ If a discoloration (arrow) is still visible on the contact surfaces: Sand down the discoloration with an extra fine P 600 sand paper until the contact surfaces shine again.

20 Inspection and Maintenance

20.1 Inspecting and Maintaining the Battery, Battery Harness, Connecting Cord and AP Adapter

! WARNING

To reduce the risk of personal injury from unintended activation, remove the battery from the power tool or charger before carrying out any inspection, cleaning or maintenance,  6. Carry out only the maintenance operations described in this manual. There are no user-authorized repairs. STIHL recommends that repair work be performed by authorized STIHL servicing dealers.

Proper maintenance of the battery, battery harness, connecting cord and AP Adapter includes the following activities:




- ▶ Having worn, missing or damaged safety labels replaced by an authorized STIHL servicing dealer.

If you make a warranty claim for a component which has not been serviced or maintained properly, coverage may be denied.


21 Troubleshooting Guide

21.1 Backpack Battery

Always disconnect the battery before carrying out any inspection, cleaning or maintenance.

Condition	LEDs and Acoustic Signals	Cause	Remedy
Power tool does not start when switched on.	1 LED flashes green and six long beeps are emitted.	Battery has low charge.	▶ Charge the battery,  8.
	1 LED glows red.	Battery too hot / too cold.	▶ Allow the battery to warm up or cool down gradually at ambient temperatures of about 50 °F to 68 °F (10 °C to 20 °C).
	4 LEDs flash red and a rapid succession of short beeps is emitted.	Malfunction in battery.	▶ Disconnect the battery from the power tool and reconnect it. ▶ Switch on the power tool. ▶ If the LEDs continue to flash, do not attempt to use the battery. The battery has a malfunction and must be replaced.
	3 LEDs glow red.	Power tool too hot.	▶ Allow the power tool to cool down.
	3 LEDs flash red.	Malfunction in power tool.	▶ Disconnect the battery from the power tool and reconnect the battery. ▶ Switch on the power tool. ▶ If the LEDs still flash, do not attempt to use the power tool. The power tool has a malfunction and must be checked by a servicing dealer.
Power tool cuts out during operation.	1 LED glows red.	Battery too hot / too cold.	▶ Allow the power tool and battery to warm up/cool down gradually at ambient temperatures of about 50 °F to 68 °F (10 °C to 20 °C).
	3 LEDs glow red.	Power tool too hot.	
		No electrical contact between power tool and battery.	▶ Disconnect the battery from the power tool and reconnect it. ▶ Switch on the power tool. ▶ If the power tool still cuts out during operation, clean the contact surfaces on the connecting cord,  19.2.
Run-time is too short.		Battery not fully charged.	▶ Charge the battery,  8.

Always disconnect the battery before carrying out any inspection, cleaning or maintenance.

Condition	LEDs and Acoustic Signals	Cause	Remedy
		Useful life of battery has been reached or exceeded.	▶ Have the battery checked by an authorized STIHL servicing dealer.
Battery is not being charged even though LED on charger glows green.	1 LED glows red.	Battery too hot / too cold.	▶ Allow the battery to warm up or cool down gradually at ambient temperatures of about 50 °F to 68 °F (10 °C to 20 °C).
Battery cannot be found with the STIHL connected App.		Bluetooth® interface at the battery or at your mobile device is not turned on.	▶ Activate the Bluetooth® interface at the battery and at your mobile device.
		Distance between the battery and your mobile device is too large.	▶ Reduce the distance between the battery and your mobile device,  22.1. ▶ If the battery still cannot be found with the STIHL connected App: Contact a STIHL servicing dealer for assistance.

22 Specifications

22.1 STIHL AR Series Battery

Approved charger type: STIHL AL 300 or AL 500 series.

- Battery technology: Lithium-Ion
- Voltage: 36 V
- Rated capacity in Ah¹: See rating plate
- Stored energy in Wh²: See rating plate
- Weight:
 - AR 2000 L: 16.3 lbs. (7.4 kg)
 - AR 3000 L: 20.9 lbs. (9.5 kg)
- For optimum performance, STIHL recommends using/storing the battery within an ambient temperature range of: 14 °F to 104 °F (- 10 °C to 40 °C)
- USB-Port: Plug type A
 - Standard BC 1.2, Dedicated Charging Port (DCP)
 - Output voltage: 5 V
 - Maximum charging current: 1.5 A
- Bluetooth® interface:
 - Data transmission protocol: Bluetooth® 4.2. The mobile receiving devices must be compatible with Bluetooth® Low Energy 4.0 and support the Generic Access Profile (GAP).
 - Frequency band: ISM band 2.4 GHz
 - Radiated maximum transmission power: 1 mW
 - Bluetooth® signal range: maximum 33 ft. (10 m). The signal range may vary depending on ambient conditions and the performance of the designated receiving device, i.e., smartphone or tablet. The Bluetooth® range may be significantly limited when the signal is

¹ Rated capacity calculated pursuant to IEC 61960. Usable energy available to the operator will be less.

² The battery is marked with its stored energy as provided by the cell manufacturer. Usable energy available to the operator will be less.

transmitted through metallic barriers (e.g., walls, shelving units, etc.) or near strong electromagnetic fields.

- Minimum mobile terminal device (e.g., tablet, smartphone) system requirements: Android or iOS (in current version or higher)

For a complete list of approximate charging times, see www.stihl.com/charging-times.

For a complete list of approximate battery runtimes, see www.stihl.com/battery-life.

Bluetooth®

The Bluetooth® word mark and logos are registered trademarks owned by Bluetooth SIG, Inc. These word mark/logos are used by STIHL under license.

The battery is equipped with a Bluetooth® interface. Local operating restrictions (in aircraft or hospitals, for example) must be observed.

Other Trademarks

Apple and the Apple logo are trademarks of Apple Inc., registered in the U.S. and other countries.

App Store is a service mark of Apple Inc.

Google Play and the Google Play logo are trademarks of Google Inc.

22.2 STIHL AL 300

- Mains voltage: 120 V
- Rated current: 4.4 A
- Frequency: 60 Hz
- Charging current: 6.5 A
- Rated power: 300 W
- Insulation: Class II (Double Insulation)
- For optimum performance, STIHL recommends operating the charger within an ambient temperature range of: 41 °F to 104 °F (5 °C to 40 °C)

22.3 STIHL AL 500

- Mains voltage: 120 V
- Rated current: 4.8 A
- Frequency: 60 Hz
- Charging current: 12 A
- Rated power: 570 W
- Insulation: Class II (Double Insulation)
- For optimum performance, STIHL recommends operating the charger within an ambient temperature range of: 41 °F to 104 °F (5 °C to 40 °C)

22.4 Symbols on the Backpack Battery

Symbol	Explanation
V	Volt
Ah	Ampere hour
Wh	Watt hour



The battery is equipped with Bluetooth® and can be connected with the STIHL connected App.

— Direct current



STIHL products must not be disposed of in the household trash, but only in accordance with local, state and federal laws and regulations and as provided in this manual, [24](#).



Number of cells and stored energy according to cell manufacturer's specification. Usable energy will be less.



The RBRC seal indicates that STIHL has prepaid for battery recycling



This symbol indicates that this is a recyclable lithium-ion battery

Li-Ion

22.5 Engineering Improvements

STIHL's philosophy is to continually improve all of its products. As a result, engineering changes and improvements are made from time to time. Therefore, some changes, modifications and improvements may not be covered in this manual. If the operating characteristics or the appearance of your machine differs from those described in this manual, please contact your STIHL dealer or the STIHL distributor in your area for assistance.

22.6 FCC 15 Compliance Statement

This device (FCC ID: 2ALP8AR1) complies with part 15 of the FCC Rules.

Operation is subject to the following two conditions:

- this device may not cause harmful interference.
- this device must accept any interference received, including interference that may cause undesired operation.

Note: This equipment has been tested and found to comply with the limits for a Class B digital device, pursuant to part 15 of the FCC Rules. These limits are designed to provide reasonable protection against harmful interference in a residential installation. This equipment generates, uses and can radiate radio frequency energy and, if not installed and used in accordance with the instructions, may cause harmful interference to radio communications. However, there is no guarantee that interference will not occur in a particular installation.

If this equipment does cause harmful interference to radio or television reception, which can be determined by turning the equipment off and on, the user is encouraged to try to correct the interference by one or more of the following measures:


- reorient or relocate the receiving antenna,
- increase the separation between the equipment and receiver,
- connect the equipment to an outlet on a circuit different from that to which the receiver is connected,

- consult an authorized STIHL servicing dealer or an experienced radio/TV technician for help.

Do not change or modify this product in any way unless specifically allowed in this manual, since this could void your authority to operate it.

23 Replacement Parts and Equipment

23.1 Genuine STIHL Replacement Parts

STIHL recommends the use of genuine STIHL replacement parts. Genuine STIHL parts can be identified by the STIHL part number, the **STIHL** logo and, in some cases, by the STIHL parts symbol . The symbol may appear alone on small parts.

24 Disposal

24.1 Battery Recycling

WARNING

Handle discharged/depleted batteries carefully. Even if believed to be discharged, lithium ion batteries may never totally discharge and still may deliver a dangerous short circuit current. If damaged or exposed to extreme temperatures, they may leak, generate heat, catch fire or explode.

- ▶ Observe all federal, state and local disposal rules and regulations.
- ▶ Contact your authorized STIHL servicing dealer for the latest information on waste disposal.
- ▶ Recycle depleted batteries promptly.
- ▶ Keep batteries away from children. Do not disassemble and do not dispose of in fire.



STIHL is committed to the development of products that are environmentally responsible. This commitment does not stop when the product leaves the authorized STIHL servicing dealer. STIHL has partnered with the RBRC (Rechargeable Battery Recycling Corporation) to promote the collection and recycling of spent STIHL lithium ion batteries in the United States and Canada.

The RBRC seal indicates that STIHL has prepaid for battery recycling. RBRC has a toll free phone number (1-800-822-8837) that connects you to information on battery recycling locations and information on battery disposal bans or restrictions in your area. You can also return your spent battery to any authorized STIHL servicing dealer for recycling free of charge.

25 Limited Warranty

25.1 STIHL Incorporated Limited Warranty Policy

This product is sold subject to the STIHL Incorporated Limited Warranty Policy, available at www.stihlusa.com/warranty.html. It can also be obtained from your authorized STIHL dealer or by calling 1-800-GO-STIHL (1-800-467-8445).

26 Trademarks

26.1 Registered Trademarks

STIHL®

STIHL®

®

The color combination orange-grey (U.S. Registrations #2,821,860; #3,010,057, #3,010,058, #3,400,477; and #3,400,476)

AutoCut®

YARD BOSS®

STIHL ROLLOMATIC®

WOOD BOSS®



FARM BOSS®

iCademy®

MAGNUM®

MasterWrench Service®

MotoMix®

OILOMATIC®

ROCK BOSS®

STIHL Cutquik®

STIHL DUROMATIC®

STIHL Quickstop®

STIHL WOOD BOSS®

TIMBERSPORTS®



26.2 Common Law Trademarks

4-MIX™	HT Plus™
BioPlus™	STIHL PowerSweep™
Easy2Start™	STIHL Protech™
EasySpool™	STIHL MiniBoss™
ElastoStart™	STIHL MotoPlus 4™
Ematic™	Master Control Lever™
STIHL Precision Series™	STIHL OUTFITTERS™
FixCut™	STIHL PICCO™
Micro™	TrimCut™
Pro Mark™	STIHL M-Tronic™
Quad Power™	STIHL HomeScaper Series™
Quiet Line™	STIHL PolyCut™
STIHL Arctic™	STIHL RAPID™
STIHL Compact™	STIHL SuperCut™
STIHL Interchangeable Attachment Series™	STIHL Multi-Cut HomeScaper Series™
TapAction™	STIHL Territory™
	

This listing of trademarks is subject to change.

Any unauthorized use of these trademarks without the express written consent of ANDREAS STIHL AG & Co. KG, Waiblingen is strictly prohibited.

27 Addresses

27.1 STIHL Incorporated

STIHL Incorporated
 536 Viking Drive
 P.O. Box 2015
 Virginia Beach, VA
 23452-2015

Contenido

1	Introducción	31	10.1	Activación de la interfaz de Bluetooth®	43
2	Acerca de este manual de instrucciones	31	10.2	Desactivación de la interfaz de Bluetooth®	43
2.1	Palabras identificadoras.....	31	11	Armado de la batería tipo mochila	43
2.2	Símbolos en el texto.....	32	11.1	Conexión del cordón de conexión a la batería.....	43
3	Componentes importantes	32	11.2	Conexión y desconexión de la batería y del cordón de conexión al arnés de la batería.....	44
3.1	Batería.....	32	12	Ajuste de la batería tipo mochila	45
3.2	Arnés de la batería.....	32	12.1	Ajuste del arnés de la batería conforme a la altura del operador.....	45
3.3	Cordón de conexión y adaptador AP.....	33	12.2	Colocación del cordón de conexión en posición.....	45
4	Símbolos de seguridad en el producto	33	12.3	Colocación del arnés.....	46
4.1	Batería tipo mochila.....	33	13	Conexión de la batería tipo mochila a la herramienta eléctrica	47
5	INSTRUCCIONES IMPORTANTES DE SEGURIDAD	34	13.1	Conexión a una herramienta eléctrica con tomacorriente incorporado.....	47
5.1	Uso previsto.....	34	13.2	Conexión a una herramienta eléctrica con compartimiento de batería.....	47
5.2	Advertencias e instrucciones de la batería.....	34	13.3	Conexión a un producto STIHL diseñado para usarse con baterías AR L de STIHL.....	48
5.3	Operador.....	36	13.4	Desconexión de la batería.....	48
5.4	Cordón de conexión.....	36	14	Durante el funcionamiento	49
5.5	Uso de la batería tipo mochila.....	37	14.1	Uso de la batería, su arnés, el cordón de conexión y el adaptador AP.....	49
6	Mantenimiento, reparación y almacenamiento	39	15	Después de completar el trabajo	50
6.1	Advertencias e instrucciones.....	39	15.1	Preparación para el transporte o el almacenamiento.....	50
7	Antes de empezar a trabajar	40	16	Puerto USB	50
7.1	Preparación de la batería tipo mochila para el funcionamiento.....	40	16.1	Carga de un dispositivo USB.....	50
7.2	Conexión a la aplicación STIHL connected.....	40	17	Transporte	50
8	Carga de la batería tipo mochila	40	17.1	Batería tipo mochila.....	50
8.1	Preparación del cargador para el funcionamiento.....	40	18	Almacenamiento	51
8.2	Carga.....	41	18.1	Batería tipo mochila.....	51
9	Diagnóstico por LED y señales acústicas	42	18.2	Arnés de la batería, cordón de conexión y adaptador AP.....	52
9.1	Estado de la batería.....	42			
9.2	Estado de la herramienta motorizada.....	42			
9.3	Estado de carga.....	43			
10	Cómo activar y desactivar la interfaz de Bluetooth®	43			

STIHL

Este manual de instrucciones está protegido por derechos de propiedad intelectual. Todos los derechos reservados, especialmente los derechos de reproducción, traducción y procesamiento con sistemas electrónicos.

19 Limpieza	52
19.1 Batería, arnés de la batería, cordón de conexión y adaptador AP	52
19.2 Superficies de contacto del cordón de conexión	52
20 Inspección y mantenimiento	53
20.1 Inspección y mantenimiento de la batería, su arnés, el cordón de conexión y el adaptador AP	53
21 Guía de solución de problemas	54
21.1 Batería tipo mochila	54
22 Especificaciones	56
22.1 Batería STIHL serie AR	56
22.2 STIHL AL 300	56
22.3 STIHL AL 500	57
22.4 Símbolos de la batería tipo mochila	57
22.5 Mejoramientos técnicos	57
22.6 FCC 15 Declaración de cumplimiento	57
23 Piezas y equipos de repuesto	59
23.1 Piezas de repuesto originales de STIHL	59
24 Eliminación	59
24.1 Reciclado de las baterías	59
25 Garantía limitada	59
25.1 Política de garantía limitada de STIHL Incorporated	59
26 Marcas comerciales	59
26.1 Marcas comerciales registradas	59
26.2 Marcas comerciales por ley común	60
27 Direcciones	60
27.1 STIHL Incorporated	60

1 Introducción

Gracias por su compra. La información que contiene este manual lo ayudará a obtener el máximo rendimiento y satisfacción de la batería tipo mochila de STIHL, y a reducir el riesgo de lesiones que supone su uso, si dicha información se respeta.

¡CONSERVE ESTE MANUAL!



Es importante que lea y respete la siguiente información y advertencias. El uso incorrecto puede causar lesiones graves.



Lea este manual de instrucciones detenidamente antes del uso y periódicamente de allí en adelante. Aténgase a todas las instrucciones de seguridad. El uso descuidado o inadecuado de la batería tipo mochila puede causar lesiones graves e incluso mortales.

No preste ni alquile nunca su batería tipo mochila sin el manual de instrucciones. Solamente permita que las personas que comprenden por completo la información de este manual utilicen la batería tipo mochila.

Para obtener más información, o si no comprende alguna de las instrucciones incluidas en este manual, visite www.stihlusa.com o comuníquese con el concesionario de STIHL.

2 Acerca de este manual de instrucciones

2.1 Palabras identificadoras

Este manual contiene información sobre seguridad a la que usted debe prestar atención especial. Dicha información se indica con los siguientes símbolos y palabras identificadoras:

⚠ PELIGRO

Identifica una situación de peligro que, de no evitarse, causará lesiones graves o mortales.

⚠ ADVERTENCIA


Identifica una situación de peligro que, de no evitarse, podría causar lesiones graves o mortales.

INDICACIÓN

Indica el riesgo de daños a la propiedad, incluidos la máquina o sus componentes.

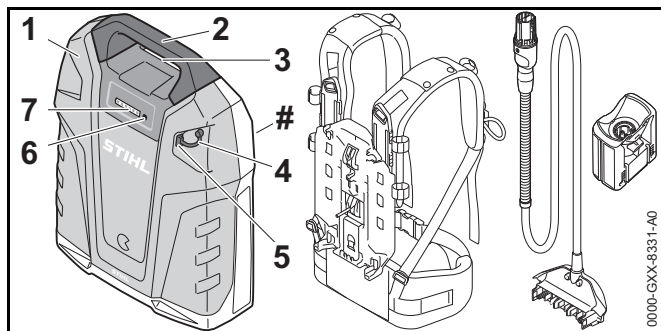
2.2 Símbolos en el texto

El siguiente símbolo tiene como finalidad ayudarlo a utilizar este manual.

 Hace referencia a un capítulo o subcapítulo designado en este manual de instrucciones.

3 Componentes importantes

3.1 Batería



1 Batería

Suministra energía eléctrica al motor de la herramienta.

2 Manija de transporte

Permite transportar la batería tipo mochila.

3 Tomacorriente

Tomacorriente en la batería para el cordón de conexión.

4 Tapa guardapolvo

Protege al puerto USB contra la humedad y el polvo.

5 Puerto USB

Proporciona carga a dispositivos electrónicos compatibles con USB.

6 Pulsador

Activa los LED de la batería. Activa y desactiva la interfaz de Bluetooth®.

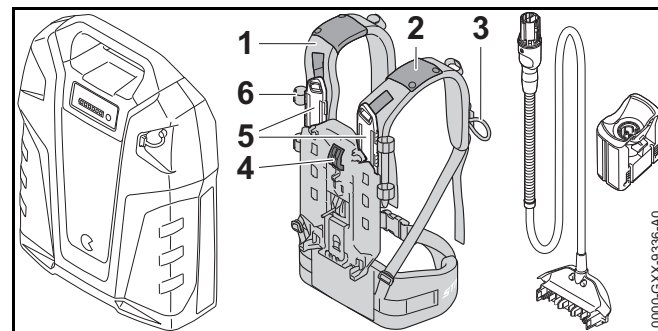
7 LED de la batería

Indican el estado de carga de la batería y los mensajes de la pantalla acerca de los posibles defectos de la batería o de la herramienta motorizada. Indica el estado de la interfaz de Bluetooth®.

Chapa de identificación con número de serie

3.2 Arnés de la batería

El arnés no se incluye con la batería.



1 Correas para hombros

Para cargar la batería mientras se trabaja con un producto de mano.

2 Guía

Fija el cordón de conexión a la mochila.

3 Lazo:

Para asegurar el enchufe de la herramienta al arnés cuando está desconectado de la herramienta motorizada.

4 Palanca

Para asegurar y soltar la batería.

5 Ajustador deslizante

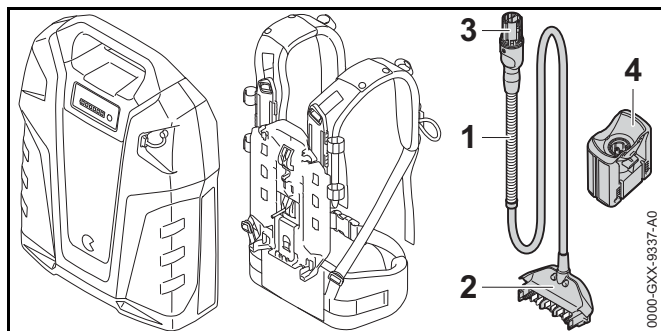
Para ajustar el arnés conforme a la altura del usuario.

6 Sujetadores de gancho y lazo

Fijan el cordón de conexión a la mochila.

3.3 Cordón de conexión y adaptador AP

El cordón de conexión y el adaptador AP no se incluyen con la batería.

**1 Cordón de conexión**

Transmite la corriente eléctrica de la batería a la herramienta motorizada.

2 Enchufe de batería

Conecta el cordón de conexión a la batería.

3 Enchufe de herramienta

Queda dentro del receptáculo de la herramienta motorizada.

4 Adaptador AP

Adaptador para conectar la batería a un cargador o herramienta motorizada STIHL con compartimento para batería AP.

4 Símbolos de seguridad en el producto**4.1 Batería tipo mochila**

Los siguientes símbolos de seguridad están presentes en la batería tipo mochila:



Para reducir el riesgo de lesiones, respete las medidas de seguridad especificadas.



Lea y respete todas las precauciones de seguridad dadas en este manual de instrucciones y en el manual de la herramienta STIHL que utiliza esta batería. El uso inadecuado puede provocar lesiones personales graves o mortales o daños a la propiedad.



Para reducir el riesgo de lesiones personales o daños a la propiedad debido a incendios, explosiones o quemaduras, incluidas las quemaduras químicas, no desarme, aplaste, deje caer, dañe o caliente la batería a más de 100 °C (212 °F). Nunca lo exponga al fuego ni lo incinere, 5.2.



Para reducir el riesgo de lesiones personales o daños a la propiedad causados por un cortocircuito, un incendio o una explosión, mantenga la unidad seca. Nunca la sumerja en agua u otros líquidos, 5.2.



Para reducir el riesgo de lesiones personales o daños a la propiedad debido a un incendio, nunca use ni almacene la batería a temperaturas inferiores a -20 °C (-4 °F) o superiores a 50 °C (122 °F), 5.2.

5 INSTRUCCIONES IMPORTANTES DE SEGURIDAD

5.1 Uso previsto

⚠ ADVERTENCIA

- Si las baterías AR L de STIHL se usan para cualquier propósito diferente de suministrar alimentación a las herramientas STIHL indicadas a continuación, esto podría causar lesiones personales y daños a la propiedad. Utilícelas únicamente con las herramientas motorizadas STIHL dadas a continuación:
 - Motosierras MSA de STIHL (vea las excepciones más adelante)
 - Podadores de varilla HTA de STIHL
 - Motoguadañas y cortadores de arbustos FSA de STIHL
 - Cortasetos HSA de STIHL
 - Cortasetos de alcance adicional HLA de STIHL
 - Sopladores BGA de STIHL
 - Cortacéspedes RMA de STIHL diseñadas para usar baterías AR L.
- No utilice las baterías AR L de STIHL con las tronzadoras TSA ni los cortacéspedes RMA de STIHL diseñados con un compartimiento para baterías AP. El uso con estos productos puede causar lesiones personales graves y daños a la propiedad como resultado de que el cordón de conexión quede atrapado, la pérdida del control o la pérdida del equilibrio.
- No use baterías AR L de STIHL con motosierras de mango superior MSA de STIHL si se va a trepar en el árbol para podarlo. Este uso puede causar lesiones graves y daños materiales si se enreda el cordón de conexión, o si se pierde el equilibrio o el control sobre la máquina. Siempre utilice un elevador con canasto para efectuar la poda y mantenimiento de árboles si usa una batería AR L con una motosierra de mango superior MSA. No trepe en el árbol con una batería AR L.

- El uso de cargadores no autorizados puede causar daños en la batería y provocar incendios, explosiones, lesiones y daños materiales.
 - Cargue las baterías AR de STIHL únicamente con los cargadores genuinos AL 300 y AL 500 de STIHL.
- El arnés de la batería está diseñado para llevar baterías STIHL serie AR L mientras se trabaja con un producto de mano. Cuando se usa el arnés, la batería se lleva como una mochila con las correas del arnés sobre los dos hombros.

La batería AR L de STIHL utiliza tecnología Bluetooth® para intercambiar información con los dispositivos móviles que ejecutan la aplicación STIHL connected.

5.2 Advertencias e instrucciones de la batería

⚠ ADVERTENCIA

- La batería tiene funciones y dispositivos de seguridad que, de dañarse, pueden provocar que la batería genere calor, se rompa, pierda líquido, se incendie o explote.
 - Nunca permita que la temperatura de la batería supere los 212 °F (100 °C).
 - Nunca prenda fuego a la batería, ni la coloque sobre o junto a fuegos, estufas u otro tipo de objetos que alcancen temperaturas muy altas.
- Nunca use ni cargue una batería que funcione incorrectamente, que esté dañada, agrietada, deformada o pierda líquido.
- Nunca abra, desmonte ni golpee la batería; no la deje caer ni la exponga a impactos fuertes o a daños de cualquier otro tipo.
- Nunca exponga la batería a microondas ni a presiones elevadas.
- Nunca introduzca objetos en las aberturas de la batería.



- Nunca se siente ni se pare sobre la batería. Nunca coloque objetos sobre la batería, ni apile varias baterías una sobre otra.

- Las temperaturas extremas pueden hacer que la batería genere calor, se rompa, pierda líquido, se incendie o explote, lo que podría causar lesiones graves o fatales y daños materiales. La exposición a temperaturas no incluidas en el rango recomendado puede contribuir además a acortar la vida útil de la batería y a empeorar su rendimiento.



- Nunca use ni guarde la batería a una temperatura ambiente inferior a - 4 °F (- 20 °C) o superior a 122 °F (50 °C). Para garantizar un rendimiento óptimo, STIHL recomienda usar/almacenar la batería a una temperatura ambiente incluida en un rango de entre 14 °F y 104 °F (- 10 °C y 40 °C).

- Nunca guarde la batería en un lugar expuesto a la luz solar directa ni dentro de un vehículo si la temperatura exterior es elevada.

- Para reducir el riesgo de que se produzcan lesiones personales y daños materiales en caso de que la batería humee, emita un olor inusual o se caliente más de lo habitual durante el uso, la carga o el almacenamiento:

- Interrumpa el uso o la carga de la batería inmediatamente. Si la está usando, quítesela de la espalda. Manténgase a una distancia segura y prepárese para ponerse en contacto con las autoridades en caso de incendio o explosión.

- Para reducir el riesgo de que se produzca un cortocircuito, que podría causar, a su vez, una descarga eléctrica, un incendio o una explosión:



- Si la batería se ha expuesto a la lluvia durante el trabajo, déjela secar bajo techo. Asegúrese de que está completamente seca antes de cargarla o de usarla.

- Nunca sumerja la batería en agua ni en otros líquidos.

- Cuando no la esté usando, mantenga la batería alejada de los objetos metálicos (p. ej., presillas para papel, clavos, monedas, llaves).
- Nunca guarde la batería conectada a la herramienta motorizada o al cargador.

- Nunca transporte ni guarde la batería en un recipiente de metal.

- Guarde la batería bajo techo, en un lugar seco.

- Nunca guarde la batería en entornos húmedos o corrosivos, ni en condiciones que podrían provocar corrosión en los componentes metálicos.

- Proteja la batería de la exposición a productos corrosivos, como las sustancias químicas utilizadas en el jardín o las sales descongelantes.

- Proteja la batería de la exposición a líquidos conductores como el agua salada.

- No intente reparar, abrir ni desmontar la batería. No contiene ninguna pieza que el usuario pueda reparar sin ayuda.

- El líquido que contiene la batería, y que puede derramarse en determinadas circunstancias, es potencialmente nocivo y puede provocar irritaciones en los ojos y en la piel, quemaduras químicas y otras lesiones graves.

- Evite el contacto con la piel y con los ojos.

- Para recoger el líquido de batería derramado, use un producto absorbente inerte, como la arena.

- En caso de contacto accidental, limpie inmediatamente y a fondo la zona afectada con un jabón suave y agua.

- Si le entra líquido de batería en los ojos: no se los frote. Aclárese los ojos con agua corriente durante al menos 15 minutos y acuda al servicio médico más cercano.
- Si la batería se prende fuego, puede resultar peligrosa. Para reducir el riesgo de que se produzcan lesiones personales graves y daños materiales, en caso de incendio:
 - Evacue la zona. El fuego se puede extender rápidamente. Manténgase lejos de cualquier vapor que se genere y respete una distancia de seguridad suficiente.
 - Avise a los bomberos.
 - Aunque se puede usar agua para apagar un incendio de batería, es preferible utilizar un extintor de incendios de polvo químico multiuso.
 - Consulte al departamento de bomberos cómo desechar correctamente la batería quemada.

5.3 Operador

ADVERTENCIA

- El uso de una herramienta motorizada con la batería tipo mochila puede ser extenuante. El operador debe hallarse en buenas condiciones tanto físicas como mentales. Para reducir el riesgo de lesiones personales causadas por fatiga o pérdida del control:
 - Consulte a su médico antes de usar la batería tipo mochila si tiene una afección de salud que pueda agravarse por el trabajo extenuante.
 - No utilice la batería tipo mochila si se encuentra bajo la influencia de cualquier sustancia (drogas, alcohol, medicamentos, etc.) que puedan afectar la visión, el equilibrio, la destreza o el juicio.
 - Esté alerta. No use la batería tipo mochila cuando está fatigado. Tómese un descanso si se siente cansado.
 - No permita que los menores de edad usen la batería tipo mochila.

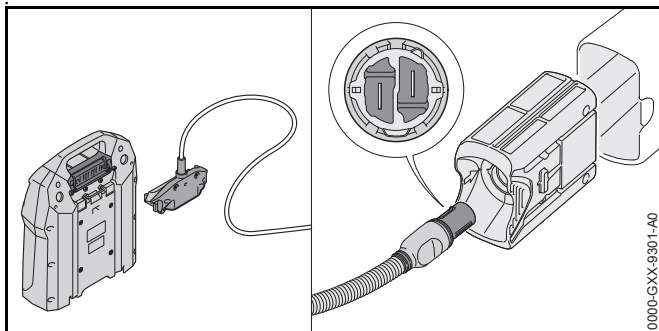
- La batería tipo mochila está diseñada para ser usada por una sola persona. No deje que otras personas estén en el lugar de trabajo.

5.4 Cordón de conexión

ADVERTENCIA

- Usar un cordón de conexión dañado puede provocar incendios, descargas eléctricas y otras lesiones personales o daños a la propiedad. Para reducir estos riesgos:
 - Revise regularmente el cordón de conexión de la batería en busca de daños. Si llegara a dañarse, desconéctelo de inmediato de la herramienta motorizada y de la batería. Nunca use un cordón de conexión dañado.
 - No desgaste, aplaste, le dé tirones ni de otro modo maltrate o utilice mal el cordón de conexión. Protéjalo del calor, el aceite y los bordes afilados.
 - Si el cordón de conexión se daña, solicite a un concesionario de servicio STIHL autorizado que lo sustituya antes de usarlo. Un cordón de conexión dañado debe ser reemplazado por un repuesto STIHL de tipo idéntico.
 - Desenchufe la batería tipo mochila de la herramienta motorizada cuando no lo utilice.
 - Nunca le dé tirones ni hale el cordón de conexión para desconectarlo. Para desconectar el cordón de conexión de la batería tipo mochila, sujete el enchufe de la batería y no el cordón.
 - Asegúrese de que el cordón de conexión esté ubicado o asegurado como para que no se lo pise, cause tropiezos, esté en contacto con objetos cortantes o partes móviles, o de otro modo sujeto a daño o esfuerzo.
 - Inspeccione el adaptador AP, su cordón de conexión y sus enchufes para verificar que no presenten indicios de daño. Nunca use un adaptador AP, cordón de conexión o enchufe dañado.

- Asegúrese de que el aislamiento del cordón eléctrico y del enchufe esté en buenas condiciones.
- Antes de usarlo, estire el cordón de conexión si está retorcido.
- El cordón debe ubicarse de modo que el accesorio de trabajo de la herramienta motorizada que está usando no entre en contacto con éste ni le cause daños.
- No use el cordón de conexión para ningún otro fin que no sea proporcionar una conexión eléctrica entre la batería y la herramienta motorizada STIHL autorizada. Por ejemplo: No lo use para trasladar o colgar la batería o la herramienta motorizada.



- Los dos extremos del cordón de conexión tienen enchufes con formas diferentes y emplean contactos eléctricos diferentes. El enchufe de la batería está diseñado para insertarse en el tomacorriente de la batería tipo mochila. El enchufe del otro extremo se inserta en el adaptador AP o la herramienta motorizada STIHL con tomacorriente incorporado (vea la ilustración). Para reducir el riesgo de descarga eléctrica y daños a la batería y al cordón de conexión:
 - Nunca intente insertar el extremo incorrecto del cordón de conexión en el tomacorriente de la batería, del adaptador AP o de la herramienta motorizada (vea la ilustración).

5.5 Uso de la batería tipo mochila

⚠ ADVERTENCIA

- El uso inadecuado puede causar lesiones personales o daños a la propiedad.
 - Utilice la batería, su arnés, el cordón de conexión y el adaptador AP solo de la manera descrita en este manual de instrucciones.
 - Nunca modifique la batería tipo mochila, su arnés, cordón de conexión o adaptador AP en forma alguna.
 - Utilice únicamente accesorios específicamente autorizados por STIHL para uso con esta batería tipo mochila y su arnés.
 - Utilice la batería únicamente con el arnés descrito en este manual. No lo combine con ningún otro tipo de tiras de transporte.
 - Compruebe que la batería STIHL serie AR L esté firmemente fijada al arnés antes de empezar a trabajar.
- Para ayudar a reducir el riesgo de lesiones personales graves o mortales a causa de la activación accidental de una herramienta conectada con la batería:



- Desenchufe la batería de la herramienta antes de armar, transportar, ajustar, inspeccionar, limpiar, darle servicio o mantenimiento o guardar la herramienta. Desenchufe la batería en caso de una avería o emergencia y toda vez que la herramienta no esté en uso.
- Nunca deje la batería desatendida cuando está enchufada a una herramienta motorizada.
- Desconecte la batería de la herramienta motorizada y del cargador antes de almacenarla.

- Para reducir el riesgo de sufrir lesiones personales graves por la pérdida del control durante el uso:
 - Lea y respete todas las instrucciones de seguridad relacionadas con la herramienta motorizada que está conectada con la batería.
 - Asegúrese de estar siempre en equilibrio y de tener los pies bien apoyados. Se debe tener cuidado especial cuando las condiciones del suelo son resbaladizas (suelo húmedo, nieve) y en terreno con mucha vegetación.
 - Para evitar tropezarse o caerse, esté atento a los obstáculos ocultos, tales como tocones, raíces, piedras, hoyos y zanjas.
 - Tenga sumo cuidado al trabajar en pendientes o sobre suelo desnivelado, ya que la batería tipo mochila puede alterar su centro de equilibrio.
 - Nunca trabaje con la batería tipo mochila en árboles, techos ni en escaleras o soportes inseguros.
 - No trate de llegar más lejos de lo debido.
- Para reducir el riesgo de lesionarse por tropezarse con el cordón de conexión o por la pérdida del control de la herramienta:
 - Siempre coloque y asegure el cordón de conexión de manera que no interfiera con la herramienta motorizada ni con las técnicas de uso adecuado. Asegure el cordón de conexión usando los cierres de velcro del arnés de la batería. Mantenga el cordón de conexión alejado del accesorio de corte de la herramienta motorizada.
 - Esté atento a la posición del cordón de conexión mientras trabaja. Evite que entre en contacto con el accesorio de corte de la herramienta o que se enganche en otros objetos, lo cual podría hacerle perder el equilibrio o el control de la herramienta y dar por resultado lesiones personales graves y daños a la propiedad.
- El uso de una batería tipo mochila, arnés, cordón de conexión o adaptador AP que esté dañado o incorrectamente ajustado puede generar un defecto y

aumentar el riesgo de lesiones personales graves y daños a la propiedad. Antes de comenzar el trabajo o de cargar la batería:

- Siempre revise la batería, su arnés, el cordón de conexión y el adaptador AP para comprobar que su condición y funcionamiento sean correctos.
- Revise la batería, el cordón de conexión, los receptáculos, enchufes y el adaptador AP en busca de corrosión, materias extrañas y daños.
- Si los cuatro LED destellan y se escucha una sucesión rápida de pitidos breves por varios segundos, la batería no está funcionando debidamente. Desconecte la batería de la herramienta motorizada, quítesela de la espalda y comuníquese inmediatamente con su concesionario de servicio STIHL. No intente usar, cargar ni guardar la batería hasta que el problema se haya corregido.
- Nunca utilice, cargue ni guarde una batería defectuosa, dañada, agrietada, deformada o que pierda líquido. Llévela de inmediato al concesionario autorizado de STIHL. No use, cargue ni guarde la batería hasta que el problema se haya corregido.
- Compruebe que las tiras para la espalda y demás características del arnés de la batería se encuentren en buenas condiciones, debidamente ajustadas y seguras. Si presentan desgaste, debilitamiento, roturas o daños, comuníquese con el concesionario autorizado de STIHL para reemplazarlas.

6 Mantenimiento, reparación y almacenamiento

6.1 Advertencias e instrucciones

⚠ ADVERTENCIA






- No hay reparaciones autorizadas de la batería tipo mochila, su arnés, cordón de conexión o el adaptador AP que los usuarios puedan efectuar. Para reducir el riesgo de incendios, descargas eléctricas u otras lesiones personales y daños a la propiedad:
 - No intente reparar, abrir o desarmar la batería, su arnés, el cordón de conexión o el adaptador AP. No contiene piezas que el usuario pueda reparar.
 - Los usuarios deben efectuar únicamente los trabajos de mantenimiento y limpieza descritos en este manual.
 - Siga precisamente las instrucciones de limpieza y mantenimiento dadas en las secciones correspondientes de este manual de instrucciones.
 - STIHL recomienda que un concesionario de servicio STIHL autorizado efectúe todos los trabajos de reparación.
- El arranque accidental puede causar lesiones personales o daños a la propiedad. Siempre desenchufe la batería de la herramienta motorizada:
 - al inspeccionar, ajustar o limpiar la batería o la herramienta motorizada
 - antes de manipular el accesorio de corte o trabajo de la herramienta motorizada
 - antes de dejar la herramienta motorizada desatendida
 - antes de transportar o guardar la batería
 - en caso de averías o emergencias
 - toda vez que la batería no esté en uso.
- El uso de componentes no autorizados o no aprobados por STIHL puede causar lesiones graves o mortales y daños a la propiedad.
 - STIHL recomienda que solo se usen piezas de repuesto STIHL idénticas para la reparación o el mantenimiento.
- Para reducir el riesgo de descarga eléctrica durante la carga:
 - Desenchufe el cargador del tomacorriente de pared antes de inspeccionar o limpiar el cargador.
 - Revise regularmente los contactos eléctricos del cargador y asegúrese de que el aislamiento del cordón eléctrico y el enchufe del cargador estén en buenas condiciones y no muestren signos de deterioro (fragilidad), desgaste o daño.
 - Solicite a un concesionario de servicio STIHL autorizado que reemplace un cordón eléctrico o un adaptador AP dañado.
- Para reducir el riesgo de cortocircuitos e incendios:
 - Mantenga el cargador y el adaptador AP libres de materias extrañas. Efectúe la limpieza necesaria con un paño seco o con un cepillo suave y seco.
- El almacenamiento incorrecto puede provocar un uso no autorizado; daños y un aumento del riesgo de incendio, descarga eléctrica y otras lesiones personales o daños a la propiedad. Antes del almacenamiento:
 - Retire el cordón de conexión de la herramienta eléctrica o del adaptador AP.
 - Desconecte el adaptador AP de la herramienta motorizada o del cargador.
 - Guarde la batería, su arnés, el cordón de conexión y el adaptador AP, en un lugar seco y bajo llave al que los niños y otras personas no autorizadas no puedan acceder.
 - Nunca guarde la batería, su cordón de conexión o el adaptador AP en entornos húmedos o corrosivos, o en condiciones que pudieran generar la corrosión de sus componentes metálicos.

- Nunca guarde la batería enchufada en el adaptador AP o la herramienta motorizada.
- Nunca guarde la batería en un envase metálico, ni en un envase junto con objetos metálicos (por ejemplo, presillas para papel, clavos, monedas, llaves).


7 Antes de empezar a trabajar

7.1 Preparación de la batería tipo mochila para el funcionamiento

Antes de empezar a trabajar:

- ▶ Revise el estado de la batería,  9.1.
- ▶ Cargue la batería completamente,  8.
- ▶ Limpie la batería,  19.
- ▶ Si se usa el cordón de conexión:
 - ▶ Limpie las superficies de contacto del cordón de conexión,  19.2.
 - ▶ Coloque el cordón de conexión en posición,  12.2.


7.2 Conexión a la aplicación STIHL connected

- ▶ Encienda la interfaz de Bluetooth® de su dispositivo móvil.
- ▶ Encienda la interfaz de Bluetooth® de la batería,  10.1
- ▶ Descargue la aplicación STIHL connected de Google Play o de la App Store.
- ▶ Siga las instrucciones de la aplicación para crear una nueva cuenta de usuario. Los usuarios que ya hayan utilizado la aplicación deben iniciar sesión con los datos de acceso de su cuenta.
- ▶ Siga las instrucciones paso por paso para añadir la batería a su lista de equipos.

8 Carga de la batería tipo mochila

8.1 Preparación del cargador para el funcionamiento

ADVERTENCIA

Lea y siga las precauciones e instrucciones de seguridad de la batería y del cargador dadas en este manual,  5.2, y en el manual del cargador. Para reducir el riesgo de cortocircuito, que podría provocar una descarga eléctrica, un incendio y una explosión, asegúrese de que el cargador y sus componentes estén secos y no estén dañados; opere el cargador puertas adentro a la temperatura ambiente adecuada.

ADVERTENCIA

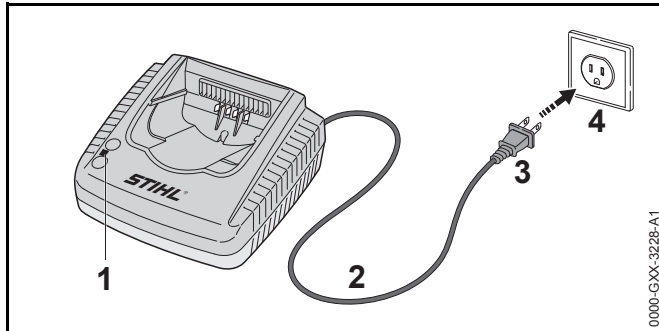
Un circuito eléctrico doméstico típico suministra entre 15 y 20 amperios. Un cargador STIHL AL 500 consume aproximadamente 4,8 A. Un cargador AL 300 consume aproximadamente 4,4 A. Para reducir el riesgo de incendios provocados por la sobrecarga de un circuito eléctrico:

- ▶ Asegúrese de que el sistema eléctrico tiene capacidad suficiente para resistir el consumo eléctrico previsto antes de cargar la batería.
- ▶ Si tiene que cargar varias baterías, cárguelas una a la vez o en circuitos separados, a menos que tenga la certeza de que su circuito resistirá el consumo total que necesitan todos los cargadores.

ADVERTENCIA

Dado que el cargador se calienta durante el proceso de carga, no haga funcionar el cargador sobre superficies que puedan incendiarse o en un lugar donde haya gases, líquidos, vapores, polvo u otros materiales y sustancias combustibles.

Para preparar el cargador para el funcionamiento:



- ▶ Inserte el enchufe (3) en una toma de corriente eléctrica (4) correctamente instalada y que coincida con la tensión y la frecuencia eléctrica indicadas en la placa de características del cargador.

El cargador ejecutará una autoprueba inmediatamente después de enchufarlo. El LED del cargador (1) se iluminará en verde durante 1 segundo aproximadamente, y luego en rojo por un lapso breve hasta apagarse. Una vez que el LED se apaga, la autoprueba ha finalizado y el cargador está listo para cargar la batería.

- ▶ Coloque el cordón eléctrico (2) de modo que no se pueda pisar, no cause tropiezos, no esté en contacto con objetos cortantes o con partes móviles y no pueda sufrir daños ni esté sujeto a esfuerzos de otro tipo.

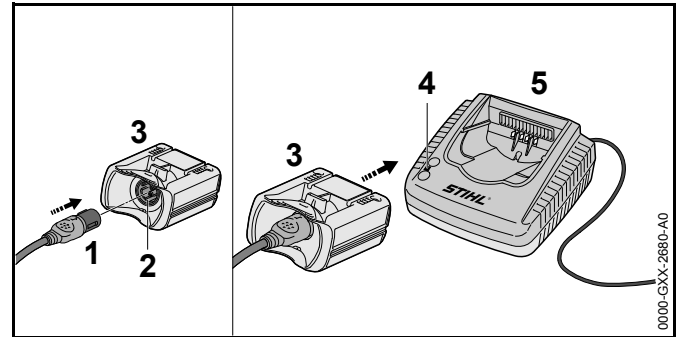
8.2 Carga

⚠ ADVERTENCIA

Las baterías STIHL tienen características y dispositivos de seguridad que, de dañarse, pueden provocar que la batería genere calor, se rompa, pierda líquido, se incendie o explote. Nunca cargue una batería que funcione mal o presente daños, fugas o esté deformada, ni utilice un cargador averiado, 5.2. Nunca inserte un adaptador AP que esté mojado. Nunca use un cargador que esté mojado, 5.2. Respete todas las advertencias e instrucciones específicas adjuntas con el cargador.

Para cargar la batería:

- ▶ Conecte el cordón de conexión a la batería.



- ▶ Inserte el enchufe del cordón de conexión (1) en el tomacorriente (2) del adaptador AP (3) hasta que haga tope.
- ▶ Inserte el adaptador AP en el cargador (5) hasta que haga tope. El LED del **cargador** (4) se ilumina en verde cuando la batería se está cargando.

Los LED de la **batería AR** se iluminan en verde e indican el estado de la carga.

Cuando los LED de la batería se apagan, el proceso de carga ha finalizado y el cargador se apaga por sí solo. El adaptador AP se puede retirar del cargador.

- ▶ Desenchufe el cordón eléctrico del tomacorriente cuando el cargador no se vaya a usar durante un periodo prolongado.

La batería no se suministra completamente cargada de fábrica. STIHL recomienda cargar completamente la batería tipo mochila antes de usarla por primera vez.

Utilice el cargador en interiores, en un lugar seco. Para obtener un rendimiento óptimo, STIHL recomienda utilizar el cargador a una temperatura ambiente comprendida entre 41 °F y 104 °F (5 °C y 40 °C).

La batería se calienta durante el funcionamiento de la herramienta motorizada. Si se conecta al cargador una batería caliente, puede ser necesario esperar a que se

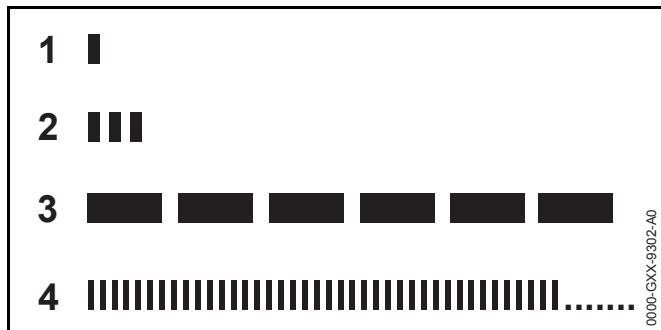
enfríe para que empiece a cargarse. El proceso de carga solo comienza una vez que la batería se ha enfriado lo suficiente.

El tiempo de carga depende de varios factores, tales como el estado de la batería y la temperatura ambiente. Si quiere ver una lista completa de los tiempos de carga aproximados, visite www.stihl.com/charging-times.

9 Diagnóstico por LED y señales acústicas

9.1 Estado de la batería

Seis LED y una señal acústica denotan el estado de la batería.



1 Un pitido breve

La señal acústica funciona como debe hacerlo.

2 Tres pitidos breves

La señal de Bluetooth® se ha activado o desactivado.

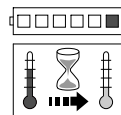
3 Seis pitidos largos

La batería tiene poca carga. Recargue la batería.

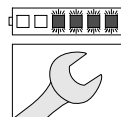
4 Sucesión rápida de pitidos breves

Hay una falla en la batería. La señal se detiene automáticamente al cabo de unos segundos. No intente cargar, usar ni guardar la batería. Sustituya la batería.

Estos LED pueden encenderse o destellar en verde, rojo o azul.



Si un LED se enciende en rojo continuamente, la batería está demasiado caliente o demasiado fría. Deje que la batería se caliente o se enfríe gradualmente a una temperatura ambiente de aproximadamente 10 °C a 20 °C (50 °F a 68 °F).



Si los cuatro LED derechos destellan en rojo y se escucha una sucesión rápida de pitidos breves: la batería está averiada y es necesario reemplazarla. No intente cargar, usar ni guardar la batería.

Si el primer LED de la derecha se ilumina azul por aproximadamente tres segundos y se emiten tres pitidos breves: se ha activado la interfaz de Bluetooth®.

Si el primer LED de la derecha destella azul seis veces y se emiten tres pitidos breves: se ha desactivado la interfaz de Bluetooth®.

► Sea consciente de que su capacidad para oír la señal acústica puede verse disminuida si usa protectores para oídos.

9.2 Estado de la herramienta motorizada

Cuando la batería está conectada con la herramienta motorizada, los mismos LED en la batería indicarán el estado de la herramienta motorizada.

Si tres LED se encienden en rojo continuamente, el motor de la herramienta motorizada está demasiado caliente. Deje que el motor se enfríe.

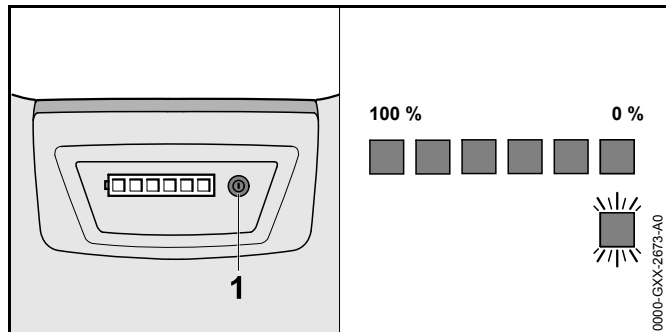
Si tres LED destellan en rojo cuando activa el gatillo, la herramienta motorizada tiene un defecto eléctrico. No utilice la herramienta motorizada. Solicite a un concesionario de servicio STIHL autorizado que la revise antes de usarlo.

Para información de localización de averías, 21. Para más información acerca de cómo transportar una batería averiada, consulte 17.

9.3 Estado de carga

Los LED y señales acústicas en la batería también muestran el estado de carga de la batería.

Para determinar el estado de carga de la batería:



- Pulse el botón (1) en la batería tipo mochila.

Se escucha un pitido breve. Los LED de la batería se encenderán o destellarán en verde por unos 5 segundos e indicarán el estado de carga (vea la ilustración).

Por ejemplo:

Si seis LED se encienden en verde continuamente: carga plena.

Si un LED verde destella y se escuchan cuatro pitidos largos: queda menos del 20 % de la carga.

10 Cómo activar y desactivar la interfaz de Bluetooth®

10.1 Activación de la interfaz de Bluetooth®

- Pulse el botón y manténgalo apretado durante unos 3 segundos.
Si el primer LED de la derecha se ilumina en azul durante aproximadamente 3 segundos y se emiten tres pitidos breves, la interfaz de Bluetooth® de la batería está activada.

10.2 Desactivación de la interfaz de Bluetooth®

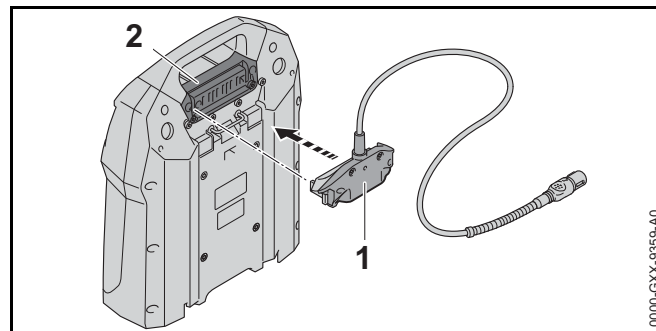
- Pulse el botón y manténgalo apretado durante unos 3 segundos.
Si el primer LED de la derecha destella en azul seis veces y se emiten tres pitidos breves, la interfaz de Bluetooth® está desactivada.

11 Armado de la batería tipo mochila

11.1 Conexión del cordón de conexión a la batería

Para fijar el cordón de conexión:

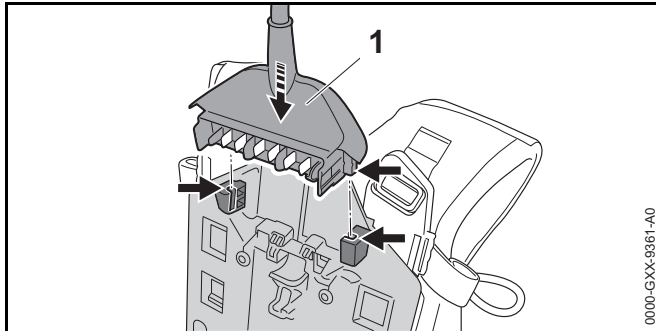
- Desenchufe la batería de la herramienta motorizada.



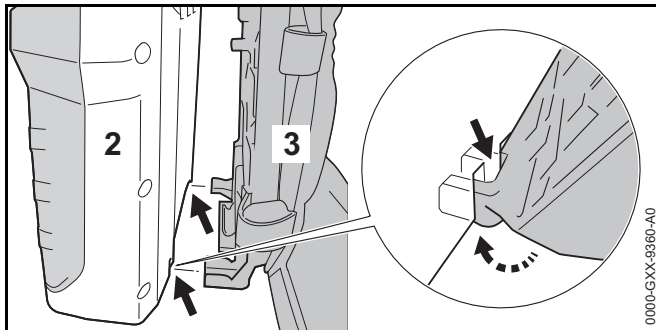
- Inserte el enchufe (1) en el receptáculo (2) de la batería, con el cordón de conexión orientado hacia arriba.

11.2 Conexión y desconexión de la batería y del cordón de conexión al arnés de la batería

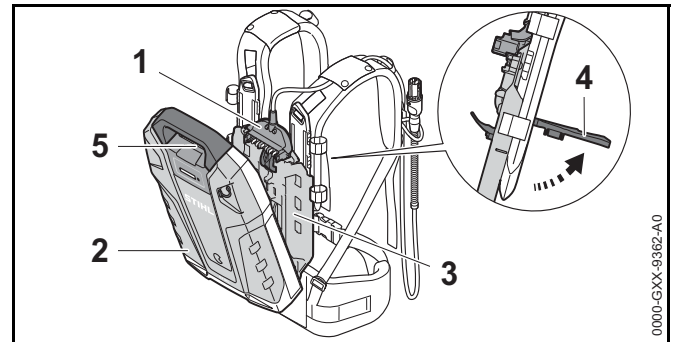
11.2.1 Conexión de la batería y del cordón de conexión al arnés de la batería



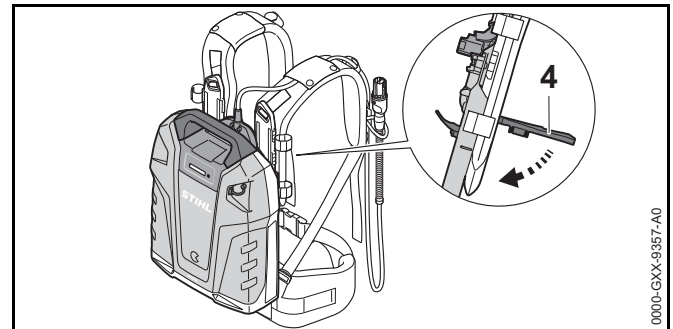
- Inserte el enchufe (1).



- Coloque la batería (2) en el arnés (3) de modo que las guías del arnés se enganchen en las hendiduras de la batería.



- Abra la palanca (4) y sujétela en posición.
- Presione el arnés (3) contra la batería (2) hasta que el enchufe (1) se conecte con el receptáculo (5).



- Gire la palanca (4) hacia abajo hasta que se enganche en su lugar.

INDICACIÓN

Compruebe que la batería esté firmemente fijada al arnés antes de empezar a trabajar.

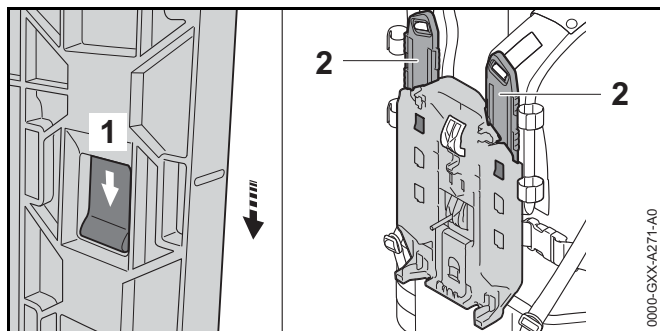
11.2.2 Desconexión de la batería y del cordón de conexión del arnés de la batería

- Abra la palanca.
- Retire la batería.
- Saque el enchufe del arnés de la batería.

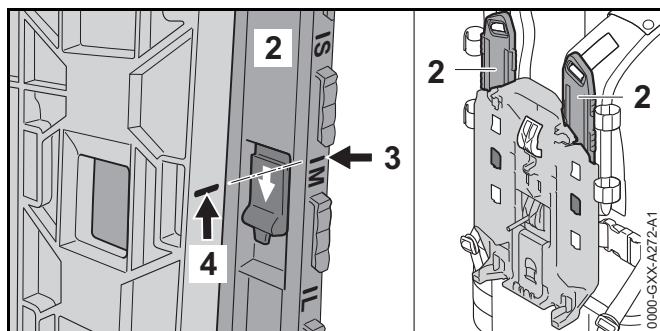
12 Ajuste de la batería tipo mochila

12.1 Ajuste del arnés de la batería conforme a la altura del operador

El arnés de la batería puede ajustarse en las posiciones S, M o L conforme a la altura del operador.



- ▶ Oprima la pestaña de enganche (1) y empújela en el sentido de la flecha.
- ▶ Retire el ajustador deslizante (2).



- ▶ Alinee la marca (3) con la marca (4).
- ▶ Inserte el ajustador deslizante (2).
- ▶ Tire del ajustador deslizante hacia arriba (en sentido opuesto a la flecha). Emite un chasquido cuando se engancha.

- ▶ Ajuste los ajustadores de las tiras izquierda y derecha en la misma posición.

12.2 Colocación del cordón de conexión en posición

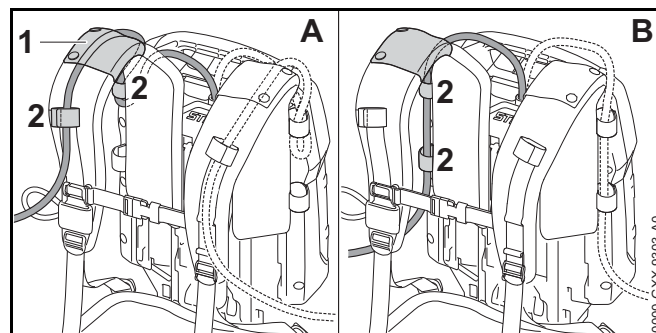
⚠ ADVERTENCIA

Para reducir el riesgo de lesionarse por tropezar con el cordón de conexión o por la pérdida del control de la herramienta motorizada, siempre asegure el cordón de conexión con el cierre de velcro de la manera descrita a continuación. Siempre coloque y asegure el cordón de conexión de manera que no interfiera con las técnicas de uso adecuado descritas en el manual de instrucciones de la herramienta o con su capacidad de mantener el control de la misma.

⚠ ADVERTENCIA

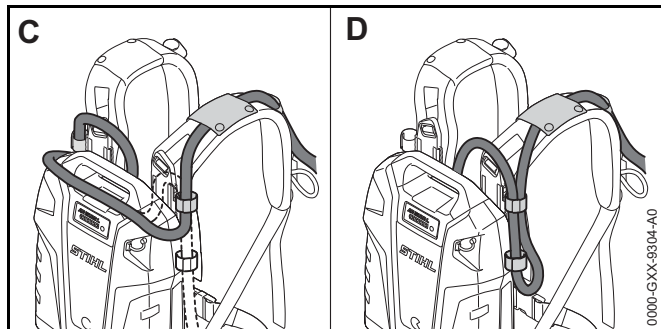
Coloque el cordón de manera que se impida que entre en contacto con el accesorio de corte/trabajo o que se enganche en algún objeto, lo cual podría hacerle perder el equilibrio o el control de la herramienta motorizada y dar por resultado lesiones personales graves y daños a la propiedad.

El cordón de conexión puede asegurarse en posiciones diferentes y ajustarse según la estatura y el alcance del operador.



El cordón de conexión puede pasarse por la guía (1) en la tira para el hombro (ilustración A) o a lo largo de la placa trasera (ilustración B). Asegure el cordón de conexión al arnés y con los cierres de velcro (2). Siempre asegure el

cordón de conexión utilizando la guía o cierres de velcro hacia el mismo lado del cuerpo en el cual se sujeta y se controla la herramienta motorizada. No permita que el cordón de conexión penda delante de su cuerpo ni a su costado.



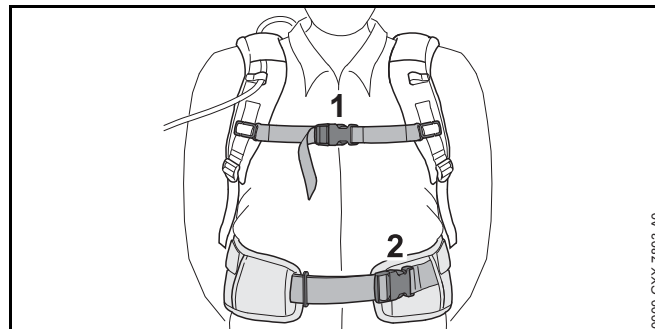
La longitud del cordón de conexión puede ajustarse por medio de formar un lazo por la parte superior (Ilust. C) o por el costado (Ilust. D) de la batería tipo mochila, fijándolo con cierres de velcro.

12.3 Colocación del arnés

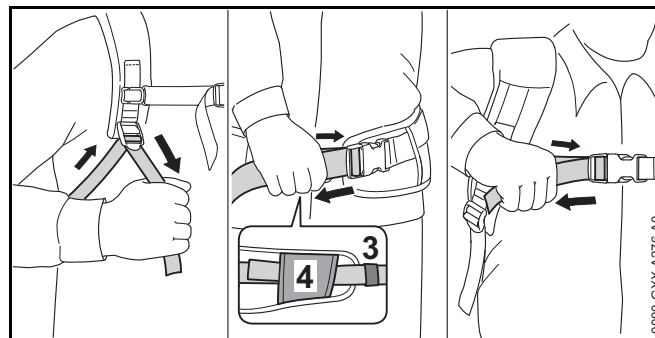
⚠ ADVERTENCIA

El operador deberá poder despojarse de la batería tipo mochila rápidamente en caso de emergencia. En caso de emergencia, desabroche y quítese el cinturón y la tira de pecho rápidamente, antes de dejar caer la batería al suelo.

Para asegurar una colocación adecuada:



- ▶ Colóquese la batería tipo mochila sobre la espalda.
- ▶ Abroche y ajuste el cinturón (2) de modo que repose de manera cómoda pero segura sobre sus caderas.
- ▶ Abroche la tira para el pecho (1) y ajústela de modo que quede cómoda pero segura por su pecho.



- ▶ Ajuste las tiras del arnés de modo que la almohadilla de la placa quede ajustada y segura contra su espalda.
- ▶ Siempre colóquese el arnés de la batería sobre los dos hombros.
- ▶ Pase el extremo del cinturón por las argollas (3) y (4).
- ▶ Para quitarse el arnés, desabroche las hebillas de soltado rápido del cinturón y de la tira para el pecho y afloje las tiras del arnés por medio de levantar los ajustadores deslizantes.

Para ayudar a reducir el riesgo de lesionarse en caso de emergencia, practique la apertura rápida del sujetador del cinturón y de la correa de pecho, el soltado de las correas de hombro y despojarse de la batería.

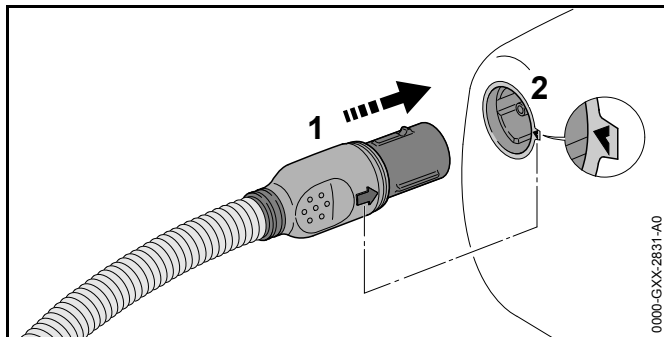
INDICACIÓN

Para evitar daños, coloque la batería suavemente en el suelo cuando esté practicando. No permita que la batería caiga al suelo ni la lance.

13 Conexión de la batería tipo mochila a la herramienta eléctrica


13.1 Conexión a una herramienta eléctrica con tomacorriente incorporado

Para conectar la batería a una herramienta motorizada con receptáculo incorporado:



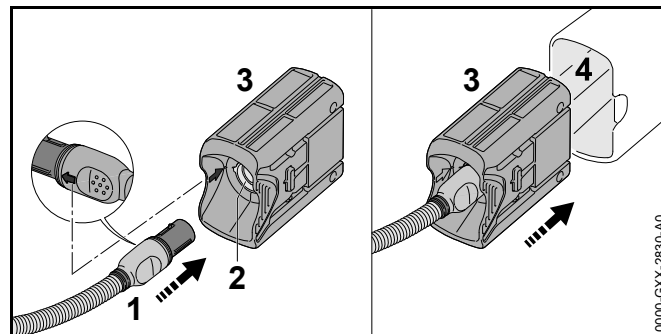
- ▶ Alinee la flecha que está en el enchufe del cable de conexión (1) con la flecha del tomacorriente de la herramienta motorizada (2).
- ▶ Empuje el enchufe dentro del tomacorriente con una presión firme y uniforme hasta insertarlo por completo. La batería y la herramienta motorizada ahora están conectadas.

Para obtener más información acerca de la activación y el funcionamiento de la herramienta motorizada, consulte el manual de instrucciones de la herramienta que está usando con esta batería.

Debido a que las baterías nuevas no están completamente cargadas, STIHL recomienda cargarlas por completo antes de usarlas por primera vez,  8.


13.2 Conexión a una herramienta eléctrica con compartimiento de batería

Para conectar la batería a una herramienta motorizada con compartimiento de batería:



- ▶ Alinee la flecha que está en el enchufe del cable de conexión (1) con la flecha del adaptador AP (3).
- ▶ Empuje el enchufe dentro del tomacorriente del adaptador AP (2) con una presión firme y uniforme hasta insertarlo por completo.
- ▶ Meta el adaptador AP en el compartimiento de batería (4) de la herramienta eléctrica hasta que se enganche con un chasquido audible. La batería y la herramienta motorizada ahora están conectadas.

Para obtener más información acerca de la activación y el funcionamiento de la herramienta motorizada, consulte el manual de instrucciones de la herramienta que está usando con esta batería.

Debido a que las baterías nuevas no están completamente cargadas, STIHL recomienda cargarlas por completo antes de usarlas por primera vez,  8.

13.3 Conexión a un producto STIHL diseñado para usarse con baterías AR L de STIHL

Para conectar la batería a una herramienta motorizada que acepta una conexión directa con la batería AR L:

- ▶ Conecte la batería como se describe en el manual de instrucciones de la herramienta motorizada.

13.4 Desconexión de la batería

- ▶ Apague la herramienta motorizada de la manera descrita en su manual de instrucciones.
- ▶ Si está utilizando una herramienta eléctrica con tomacorriente incorporado, extraiga el enchufe del tomacorriente de la herramienta eléctrica con una presión firme y uniforme.
- ▶ Si está utilizando una herramienta eléctrica con compartimiento de batería, saque el adaptador AP del compartimiento de batería de la herramienta y luego extraiga el enchufe del adaptador AP con una presión firme y uniforme.
- ▶ Si se está utilizando una herramienta motorizada que acepta una conexión directa con la batería AR L: Desconecte la batería como se describe en el manual de instrucciones de la herramienta motorizada.

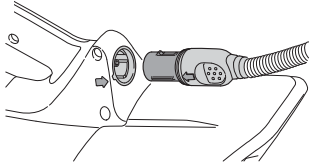
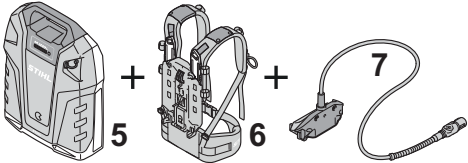

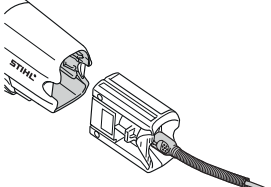
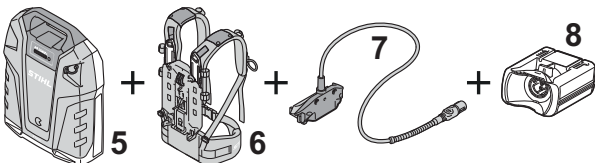

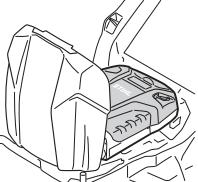


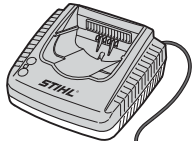
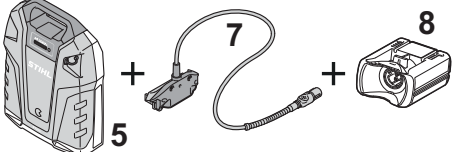
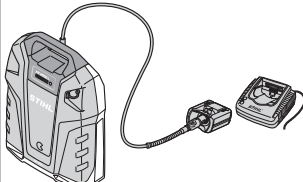
INDICACIÓN

Evite exponer la batería a calor o frío excesivo, o a períodos prolongados de luz directa. El uso o el almacenamiento fuera del rango de temperatura ambiente recomendado pueden reducir el rendimiento o la vida útil de la batería.

Para obtener más información acerca de la activación y el funcionamiento de la herramienta motorizada, consulte el manual de instrucciones de la herramienta que está usando con esta batería.

14 Durante el funcionamiento

14.1 Uso de la batería, su arnés, el cordón de conexión y el adaptador AP

A			
B			
C			
D			

A. Cuando se usa un producto STIHL de baterías diseñado con un receptáculo (1):

Utilice la batería (5), el arnés (6) y el cordón de conexión (7).

B. Cuando se usa un producto STIHL de baterías diseñado con un compartimiento para batería AP (2):

Utilice la batería (5), su arnés (6), el cordón de conexión (7) y el adaptador AP (8).

C. Cuando se usa un producto STIHL de baterías diseñado para usarse con baterías AR L (3) de STIHL:

Conecte la batería (5) directamente al producto.


D. Cuando se carga el producto con un cargador serie AL (4) de STIHL:

Utilice la batería (5), el cordón de conexión (7) y el adaptador AP (8). Inserte el adaptador AP directamente en el cargador.

15 Después de completar el trabajo

15.1 Preparación para el transporte o el almacenamiento

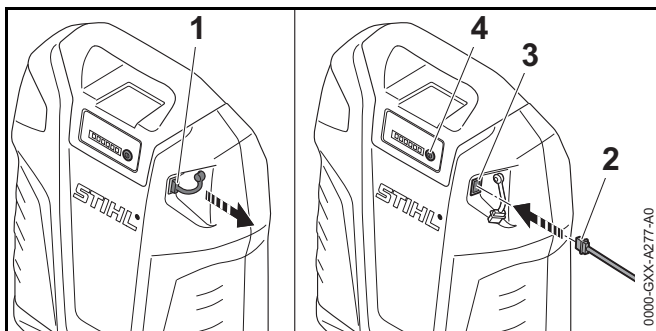
Para preparar la batería para el transporte o el almacenamiento:

- ▶ Apague la herramienta motorizada de la manera descrita en su manual de instrucciones.
- ▶ Desconecte la batería,  13.4.
- ▶ Si la batería, su arnés, el cordón de conexión o el adaptador AP se han mojado durante el uso, permita que se sequen por separado y de manera completa antes de cargar o almacenar la unidad.


16 Puerto USB

16.1 Carga de un dispositivo USB

Para cargar un dispositivo USB con la batería:




- ▶ Quite la tapa guardapolvo (1).
- ▶ Inserte el enchufe de USB en el puerto USB (3) de la batería.

- ▶ Presione el botón (4) en la batería. El dispositivo USB se está cargando. Si el dispositivo USB no se carga, la corriente de carga suministrada por la batería es demasiado baja para el dispositivo USB,  22.1. No es posible cargar el dispositivo USB.
- ▶ Retire todo dispositivo USB conectado al puerto USB de carga e inserte la tapa guardapolvo (1) en el puerto USB (3) antes de intentar el uso de la batería.

17 Transporte

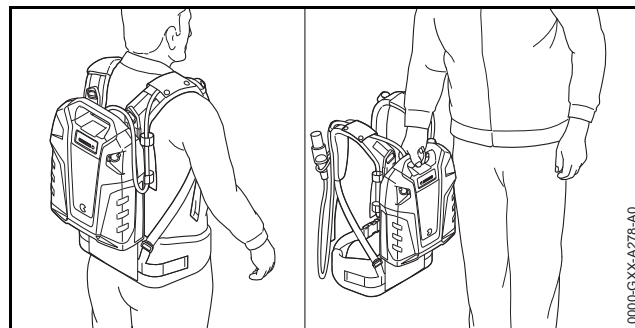
17.1 Batería tipo mochila

ADVERTENCIA

Para reducir el riesgo de cortocircuito, que podría generar una descarga eléctrica, un incendio o una explosión, nunca transporte la batería en un contenedor metálico o cerca de objetos de metal (por ejemplo, presillas de papel, clavos, monedas, llaves),  5.2

Transporte de una batería sin daños y en buenas condiciones de funcionamiento:

- ▶ Desenchufe la batería de la herramienta motorizada.



- ▶ Transporte la batería en sus espaldas o sujetándola por su mango.
- ▶ Nunca transporte la batería tipo mochila en un envase metálico, ni en un envase junto con objetos metálicos (por ejemplo, presillas para papel, clavos, monedas, llaves).

- ▶ Si se colocará la batería en un contenedor o se la transportará en un vehículo, asegúrela junto con su contenedor para prevenir vuelcos, impactos y daños.
- ▶ No se siente ni se pare sobre la batería. Nunca coloque objetos sobre la batería ni apile varias baterías una sobre la otra.

ADVERTENCIA

Se deben adoptar precauciones especiales al transportar una batería dañada o averiada. Para disminuir el riesgo de accidentes, siempre comuníquese con su concesionario de servicio STIHL antes de transportar una batería en esas condiciones.

Las baterías tipo mochila STIHL cumplen con los requisitos descritos en el Manual UN ST/SG/AC.10/11/Ver.5/Parte III, Subsección 38.3.

El transporte comercial por aire, agua y tierra de celdas de ion de litio y baterías está regulado. La batería tipo mochila está clasificada como un producto UN 3480, Clase 9 y grupo de envasado II. Para transportarla, ya sea como parte de la herramienta completa o sola, es necesario cumplir con todas las normas de transporte correspondientes. Antes del transporte o traslado, consulte con la empresa de transporte por tierra o agua, o bien con la aerolínea de carga o pasajeros, para determinar si el transporte está prohibido o sujeto a restricciones o exenciones.


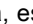
Por lo general, el usuario no necesita cumplir con ninguna condición adicional para poder transportar baterías STIHL por carretera hasta el sitio donde se encuentra la herramienta motorizada. Verifique y respete cualquier norma especial que pudiera aplicarse a su situación.

Para obtener más información, visite www.stihlusa.com/battery-transportation-safety (en Canadá: www.stihl.ca).




18 Almacenamiento

18.1 Batería tipo mochila

ADVERTENCIA

Para reducir el riesgo de cortocircuito, que podría generar una descarga eléctrica, un incendio o una explosión, nunca guarde la batería en un contenedor metálico, cerca de objetos de metal ni en condiciones mojadas o húmedas,  5.2. Si la batería está húmeda o mojada, espere a que se seque por completo antes de guardarla,  5.2.

ADVERTENCIA

Las temperaturas extremas pueden dañar la batería y también hacer que genere calor, se rompa, pierda líquido, se incendie o explote, lo que podría causar lesiones personales graves o fatales y daños a la propiedad,  5.2. Nunca use ni guarde la batería a una temperatura ambiente inferior a - 4 °F (- 20 °C) o superior a 122 °F (50 °C),  5.2. Nunca guarde la batería en un lugar expuesto a la luz solar directa ni dentro de un vehículo si la temperatura exterior es elevada,  5.2.

Para almacenar correctamente la batería:

- ▶ Desconecte la batería de la herramienta motorizada o del cargador.
- ▶ Asegúrese de que la batería esté seca y guárdela bajo techo, en un lugar seco y seguro.
- ▶ Asegúrese de que queda fuera del alcance de los niños y de otras personas no autorizadas.
- ▶ Proteja la batería de la humedad y de los productos corrosivos, como las sustancias químicas utilizadas en el jardín o las sales descongelantes.
- ▶ Proteja la batería de la exposición a líquidos conductores como el agua salada.
- ▶ Para alargar al máximo la vida útil de su batería, guárdela a una temperatura ambiente de entre 50 °F y 68 °F (10 °C y 20 °C), con un nivel de carga de entre el 30 % y el 45 % (2 LED verdes iluminados).

- ▶ Las baterías de repuesto no deben permanecer inutilizadas. Use todas sus baterías, por turnos.

18.2 Arnés de la batería, cordón de conexión y adaptador AP


Para almacenar el arnés de la batería, el cordón de conexión y el adaptador AP correctamente:

- ▶ Compruebe que el arnés de la batería, el cordón de conexión y adaptador AP estén secos y guárdelos bajo techo, en un lugar seco y bajo llave.
- ▶ Manténgalos fuera del alcance de los niños y de otras personas no autorizadas.
- ▶ No use el cordón de conexión para trasladar o colgar la batería, su arnés o el adaptador AP.

19 Limpieza

19.1 Batería, arnés de la batería, cordón de conexión y adaptador AP

⚠ ADVERTENCIA

Para reducir el riesgo de lesiones provocadas por una activación accidental, desenchufe la batería antes de llevar a cabo cualquier trabajo de limpieza,  6. Los usuarios de esta batería deben llevar a cabo únicamente las tareas de limpieza descritas en este manual.

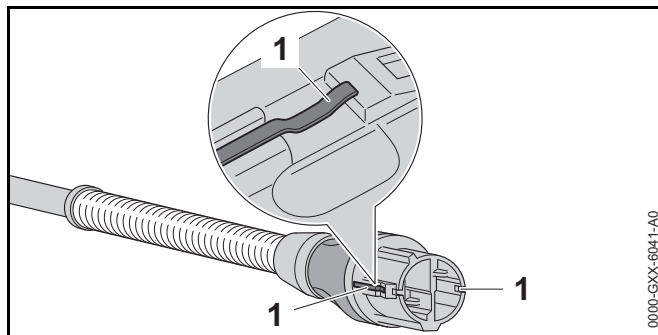
Para limpiar la batería, el arnés, el cordón de conexión y el adaptador AP:

- ▶ Limpie el polvo y la suciedad de la batería, del cordón de conexión y del adaptador AP con un paño seco o con un cepillo suave y seco.
- ▶ Limpie el polvo y la suciedad del arnés de la batería con un cepillo o con un paño húmedo.
- ▶ No use disolventes ni detergentes abrasivos. Podrían dañar la carcasa de polímero y otros componentes.

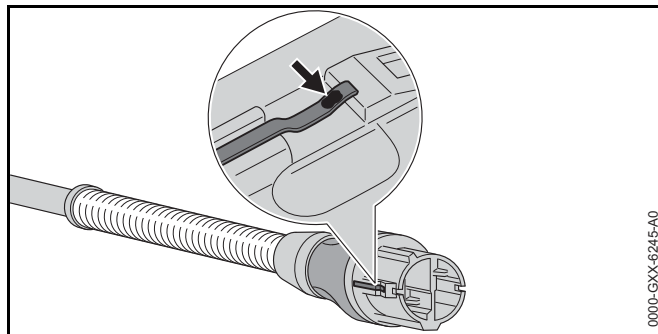
- ▶ No rocíe la batería, el cordón de conexión ni el adaptador AP con agua ni con otros líquidos.

19.2 Superficies de contacto del cordón de conexión

- ▶ Desconecte la batería tipo mochila,  13.4.



- ▶ Limpie las superficies de contacto (1) con un paño seco.




- ▶ Si aún se ve una decoloración (flecha) en las superficies de contacto: elimine la decoloración con un papel de lija extrafino P 600 hasta que las superficies de contacto vuelvan a brillar.

20 Inspección y mantenimiento

20.1 Inspección y mantenimiento de la batería, su arnés, el cordón de conexión y el adaptador AP

ADVERTENCIA

Para reducir el riesgo de lesiones personales por la activación accidental, quite la batería de la herramienta motorizada o del cargador antes de realizar trabajos de inspección, limpieza o mantenimiento,  6. Efectúe únicamente las operaciones de mantenimiento que se describen en este manual. No hay reparaciones autorizadas para los usuarios. STIHL recomienda que los concesionarios de servicio STIHL autorizados efectúen los trabajos de reparación.

El mantenimiento adecuado de la batería, su arnés, el cordón de conexión y el adaptador AP incluye las actividades siguientes:


- ▶ Si las etiquetas de seguridad están dañadas o faltan, solicite etiquetas de repuesto a un concesionario de servicio STIHL autorizado.

Si usted está reclamando cobertura de garantía para algún componente que no ha sido reparado o mantenido debidamente, es posible que se deniegue la garantía.




21 Guía de solución de problemas

21.1 Batería tipo mochila

Desconecte siempre la batería antes de realizar cualquier trabajo de inspección, limpieza o mantenimiento.

Problema	LED y señales acústicas	Causa	Solución
La herramienta motorizada no se pone en marcha cuando se enciende.	1 LED destella en verde y se escuchan seis pitidos largos.	La batería tiene poca carga.	► Cargue la batería,  8.
	1 LED se ilumina en rojo.	La batería está demasiado caliente/demasiado fría.	► Espere a que la batería se caliente o se enfríe gradualmente hasta alcanzar una temperatura ambiente de entre 50 °F y 68 °F aproximadamente (de 10 °C a 20 °C).
	4 LED destellan en rojo y se emite una sucesión rápida de pitidos breves.	La batería no funciona correctamente.	► Desconecte la batería de la herramienta motorizada y vuelva a conectarla. ► Encienda la herramienta motorizada. ► Si los LED siguen destellando, no intente usar la batería. La batería no funciona correctamente, y es necesario cambiarla.
	3 LED iluminados en rojo.	La herramienta motorizada está demasiado caliente.	► Deje que la herramienta motorizada se enfríe.
	3 LED destellan en rojo.	La herramienta motorizada está averiada.	► Desconecte la batería de la herramienta motorizada y vuelva a conectarla. ► Encienda la herramienta motorizada. ► Si los LED siguen destellando, no intente usar la herramienta motorizada. La herramienta motorizada tiene una avería y debe ser revisada por un concesionario de servicio.
La herramienta motorizada se apaga durante el funcionamiento.	1 LED se ilumina en rojo.	La batería está demasiado caliente/demasiado fría.	► Espere a que la herramienta motorizada y la batería se calienten o se enfríen gradualmente hasta alcanzar una temperatura ambiente de entre 50 °F y 68 °F aproximadamente (entre 10 °C y 20 °C).
	3 LED iluminados en rojo.	La herramienta motorizada está demasiado caliente.	

Desconecte siempre la batería antes de realizar cualquier trabajo de inspección, limpieza o mantenimiento.

Problema	LED y señales acústicas	Causa	Solución
		No hay contacto eléctrico entre la herramienta motorizada y la batería.	<ul style="list-style-type: none"> ▶ Desconecte la batería de la herramienta motorizada y vuelva a conectarla. ▶ Encienda la herramienta motorizada. ▶ Si la herramienta motorizada se sigue apagando durante el funcionamiento, limpie las superficies de contacto del cordón de conexión,  19.2.
El tiempo de funcionamiento es demasiado corto.		La batería no está completamente cargada.	▶ Cargue la batería,  8.
		Se alcanzó o se superó la vida útil de la batería.	▶ Lleve la batería a un concesionario de servicio STIHL autorizado para que la revisen.
La batería no se carga, aunque el LED del cargador está encendido en verde.	1 LED se ilumina en rojo.	La batería está demasiado caliente/demasiado fría.	▶ Espere a que la batería se caliente o se enfríe gradualmente hasta alcanzar una temperatura ambiente de entre 50 °F y 68 °F aproximadamente (de 10 °C a 20 °C).
La batería no se puede localizar con la aplicación STIHL connected.		La interfaz de Bluetooth® no está activada en la batería o en el dispositivo móvil.	▶ Active la interfaz de Bluetooth® en la batería y en el dispositivo móvil.
		La distancia entre la batería y su dispositivo móvil es demasiado grande.	<ul style="list-style-type: none"> ▶ Reduzca la distancia entre la batería y su dispositivo móvil,  22.1. ▶ Si aun así no puede localizar la batería con la aplicación STIHL connected: póngase en contacto con un concesionario de servicio de STIHL para pedir ayuda.

22 Especificaciones

22.1 Batería STIHL serie AR

Tipo de cargador aprobado: STIHL series AL 300 o AL 500.

- Tecnología de la batería: ion de litio
- Voltaje: 36 V
- Capacidad nominal en Ah¹: Véase la placa de características
- Energía acumulada en Wh²: Véase la placa de características
- Peso:
 - AR 2000 L: 16.3 lb. (7.4 kg)
 - AR 3000 L: 20.9 lb. (9.5 kg)
- Para garantizar un rendimiento óptimo, STIHL recomienda usar/almacenar la batería a una temperatura ambiente en un rango de entre 14 °F y 104 °F (- 10 °C y 40 °C)
- Puerto USB: enchufe tipo A
 - BC estándar 1.2, puerto de carga dedicado (DCP)
 - Voltaje de salida: 5 V
 - Corriente máxima de carga: 1.5 A
- Interfaz de Bluetooth®:
 - Protocolo de transmisión de datos: Bluetooth® 4.2. Los dispositivos móviles que reciben los datos deben ser compatibles con la versión Bluetooth® Low Energy 4.0 y con el Generic Access Profile (GAP).
 - Banda de frecuencia: Banda ISM 2.4 GHz
 - Potencia de transmisión máxima irradiada: 1 mW
 - Alcance de la señal Bluetooth®: como máximo, 33 pies (10 m). El alcance de la señal puede variar en función de las condiciones ambientales y del rendimiento del

¹ Capacidad nominal calculada de acuerdo con CEI 61960. La energía útil disponible para el operador será menor.

² En la batería figura la energía acumulada de acuerdo con los datos facilitados por el fabricante de las pilas. La energía útil disponible para el operador será menor.

dispositivo receptor, es decir, del teléfono inteligente o la tableta. El alcance de Bluetooth® puede verse limitado cuando la señal se transmite a través de barreras metálicas (por ejemplo: paredes, estanterías, etc.) o en las cercanías de campos electromagnéticos fuertes.

- Requisitos mínimos del sistema del dispositivo de terminal móvil (p. ej., tableta, teléfono inteligente): Android o iOS (en versión actual o superior)

Si quiere ver una lista completa de los tiempos de carga aproximados, visite www.stihl.com/charging-times.

Para obtener una lista completa de tiempos de funcionamiento aproximados de la batería, visite www.stihl.com/battery-life.

Bluetooth®

La marca y logotipo de Bluetooth® son marcas comerciales registradas de Bluetooth SIG, Inc. Estas marcas/logotipos son utilizados por STIHL bajo licencia.

La batería está provista de una interfaz de Bluetooth®. Se deben respetar las restricciones de uso locales (en aviones o en hospitales, por ejemplo).

Otras marcas comerciales

Apple y el logotipo de Apple son marcas comerciales de Apple Inc., registradas en EE.UU. y en otros países.

App Store es una marca de servicio de Apple Inc.

Google Play y el logotipo de Google Play son marcas comerciales de Google Inc.

22.2 STIHL AL 300

- Voltaje de alimentación: 120 V
- Corriente nominal: 4,4 A
- Frecuencia: 60 Hz
- Corriente de carga: 6,5 A
- Potencia nominal: 300 W
- Aislamiento: Categoría II (aislamiento doble)

- Para un rendimiento óptimo, STIHL recomienda usar el cargador a temperaturas ambiente dentro del intervalo siguiente: 5 °C a 40 °C (41 °F a 104 °F)

22.3 STIHL AL 500

- Voltaje de alimentación: 120 V
- Corriente nominal: 4,8 A
- Frecuencia: 60 Hz
- Corriente de carga: 12 A
- Potencia nominal: 570 W
- Aislamiento: Categoría II (aislamiento doble)
- Para un rendimiento óptimo, STIHL recomienda usar el cargador a temperaturas ambiente dentro del intervalo siguiente: 5 °C a 40 °C (41 °F a 104 °F)

22.4 Símbolos de la batería tipo mochila

Símbolo	Significado
V	Voltio
Ah	Amperio-hora
Wh	Vatio-hora



La batería está equipada con Bluetooth® y se puede conectar con la aplicación STIHL connected.

— — — Corriente continua



Los productos STIHL no se deben eliminar junto con la basura doméstica, sino de acuerdo con las leyes y normas locales, estatales y federales y como se especifica en este manual, 24.



Número de pilas y energía acumulada de acuerdo con las especificaciones del fabricante de las pilas. La cantidad de energía aprovechable será menor.



El sello RBRC indica que STIHL ha pagado por adelantado el reciclaje de la batería



Este símbolo indica que esta es una batería de ion de litio reciclable.

22.5 Mejoramientos técnicos

STIHL tiene la filosofía de mejorar continuamente todos sus productos. Como resultado de ello, periódicamente se introducen cambios de diseño y mejoras. Por lo tanto, es posible que algunos cambios, modificaciones y mejoras no se describan en este manual. Si las características de funcionamiento o la apariencia de su máquina difieren de las descritas en este manual, comuníquese con el concesionario STIHL para obtener la ayuda que requiera.

22.6 FCC 15 Declaración de cumplimiento

Este dispositivo (FCC: 2ALP8AR1) cumple con la parte 15 del Reglamento de la FCC.

El funcionamiento está sujeto a las siguientes dos condiciones:

- Este dispositivo no debe causar interferencias nocivas.
- Este dispositivo debe aceptar cualquier interferencia que reciba, incluidas las interferencias que pudieran causar un funcionamiento no deseado.

Nota: este equipo se ha sometido a pruebas, y se ha determinado que cumple los límites de los dispositivos digitales Categoría B, según la parte 15 del Reglamento de la FCC. Estos límites están diseñados para ofrecer protección razonable contra las interferencias nocivas en una instalación residencial. Este equipo genera, utiliza y puede irradiar energía de radiofrecuencia y, si no se instala y utiliza conforme a las presentes instrucciones, podría causar interferencias nocivas para las comunicaciones por radio. No obstante, no se ofrece garantía alguna de que la interferencia no ocurrirá en una instalación concreta.

Si este equipo llegara a causar interferencias perjudiciales a la recepción de radio o televisión (se puede comprobar encendiendo y apagando el equipo), se le indica al usuario


que intente corregir la interferencia tomando una o más de las medidas siguientes:

- Reorientar o cambiar la ubicación de la antena de recepción.
- Aumentar la separación entre el equipo y el receptor.
- Conectar el equipo a un tomacorriente ubicado en un circuito diferente del circuito al que está conectado el receptor.
- consulte a un concesionario de servicio STIHL autorizado o a un técnico de radio/TV experto para recibir ayuda.

No cambie ni modifique este producto en modo alguno a menos que se le indique específicamente hacerlo en este manual, puesto que al hacerlo podría anular su autoridad para usarlo.

23 Piezas y equipos de repuesto

23.1 Piezas de repuesto originales de STIHL

STIHL recomienda el uso de piezas de repuesto originales de STIHL. Es posible identificar las piezas originales de STIHL por el número de pieza STIHL, el logotipo de **STIHL** y, en ciertos casos, el símbolo  de piezas STIHL. En las piezas pequeñas el símbolo puede aparecer solo.

24 Eliminación

24.1 Reciclado de las baterías

ADVERTENCIA

Manipule las baterías descargadas/agotadas con cuidado. Aunque parezca que están descargadas, las baterías de ion de litio nunca se descargan completamente y pueden generar una corriente de cortocircuito peligrosa. Si se dañan o exponen a temperaturas extremas, pueden perder líquido, generar calor, incendiarse o explotar.

- ▶ Respete todas las leyes y normas federales, estatales y locales sobre eliminación de desechos.
- ▶ Comuníquese con un concesionario de servicio STIHL autorizado para obtener la información más actualizada acerca de la eliminación de desechos.
- ▶ Recicle las baterías agotadas rápidamente.
- ▶ Mantenga las baterías alejadas de los niños. No desarme el producto ni lo incinere.



STIHL está comprometida con el desarrollo de productos que protejan el medio ambiente. Este compromiso no termina cuando el producto sale del concesionario de servicio STIHL autorizado. STIHL se asoció con la RBRC (Corporación de Reciclaje de Baterías Recargables) para fomentar la recolección y el reciclado de baterías de ion de litio STIHL en los Estados Unidos y Canadá.

El sello de la RBRC indica que STIHL ya aportó dinero para el reciclado de la batería. El sello de la RBRC lleva impreso un número telefónico gratuito (1-800-822-8837) que le permite acceder a información sobre lugares de reciclaje de baterías y prohibiciones o restricciones respecto del reciclado de baterías en su zona. También puede devolver las baterías a cualquier concesionario de servicio STIHL autorizado para reciclarlas gratuitamente.

25 Garantía limitada

25.1 Política de garantía limitada de STIHL Incorporated

Este producto se vende sujeto a la Política de garantía limitada de STIHL Incorporated, disponible en www.stihlusa.com/warranty.html. También puede obtenerlo de un concesionario de servicio STIHL autorizado o llamando al 1-800-GO-STIHL (1-800-467-8445).

26 Marcas comerciales

26.1 Marcas comerciales registradas

STIHL®

STIHL®

®

La combinación de colores anaranjado-gris (Registros en EE. UU. #2,821,860; #3,010,057; #3,010,058; #3,400,477; y #3,400,476)

AutoCut®

YARD BOSS®

FARM BOSS®

iCademy®

MAGNUM®

MasterWrench Service®

MotoMix®

OILOMATIC®

ROCK BOSS®

STIHL Cutquik®

STIHL DUROMATIC®

STIHL Quickstop®

STIHL ROLLOMATIC®
WOOD BOSS®



STIHL WOOD BOSS®
TIMBERSPORTS®



26.2 Marcas comerciales por ley común

4-MIX™	HT Plus™
BioPlus™	STIHL PowerSweep™
Easy2Start™	STIHL Protech™
EasySpool™	STIHL MiniBoss™
ElastoStart™	STIHL MotoPlus 4™
Ematic™	Master Control Lever™
STIHL Precision Series™	STIHL OUTFITTERS™
FixCut™	STIHL PICCO™
Micro™	TrimCut™
Pro Mark™	STIHL M-Tronic™
Quad Power™	STIHL HomeScaper Series™
Quiet Line™	STIHL PolyCut™
STIHL Arctic™	STIHL RAPID™
STIHL Compact™	STIHL SuperCut™
STIHL Interchangeable Attachment Series™	STIHL Multi-Cut HomeScaper Series™
TapAction™	STIHL Territory™
	

Esta lista de marcas comerciales está sujeta a cambios.

Queda terminantemente prohibido todo uso de estas marcas comerciales sin el consentimiento expreso por escrito de ANDREAS STIHL AG & Co. KG, Waiblingen.

27 Direcciones

27.1 STIHL Incorporated

STIHL Incorporated
536 Viking Drive
P.O. Box 2015
Virginia Beach, VA
23452-2015

⚠ WARNING

This battery contains chemicals known to the State of California to cause cancer, birth defects or other reproductive harm.

⚠ ADVERTENCIA

Esta batería contiene productos químicos considerados por el Estado de California como causantes de cáncer, defectos de nacimiento u otra toxicidad reproductora.

0458-820-8602-A

englisch / spanisch USA



www.stihl.com



0458-820-8602-A