

# STIHL

## STIHL FSA 86 R

Instruction Manual  
Manual de instrucciones



**! WARNING**

Read Instruction Manual thoroughly before use and follow all safety precautions – improper use can cause serious or fatal injury.

**! ADVERTENCIA**

Antes de usar la máquina lea y siga todas las precauciones de seguridad dadas en el manual de instrucciones – el uso incorrecto puede causar lesiones graves o mortales.



**Instruction Manual**

**1 - 37**

**Manual de instrucciones**

**38 - 77**

# Contents

<b>1</b>	<b>Introduction</b>	<b>2</b>	11.2 Mounting the Bump Guard	20
<b>2</b>	<b>Guide to Using this Manual</b>	<b>2</b>	11.3 Mounting and Removing a Deflector	21
2.1	Signal Words	2	11.4 Mounting and Removing a Mowing Head	22
2.2	Symbols in Text	3	<b>12 Adjusting the Trimmer</b>	<b>23</b>
<b>3</b>	<b>Main Parts</b>	<b>3</b>	12.1 Adjusting the Loop Handle	23
3.1	Trimmer and Battery	3	<b>13 Inserting and Removing the Battery</b>	<b>24</b>
3.2	Mowing Head, Cutting Attachments and Deflector	4	13.1 Inserting the Battery	24
<b>4</b>	<b>Safety Symbols on the Products</b>	<b>4</b>	13.2 Removing the Battery	24
4.1	Trimmer	4	<b>14 Switching the Trimmer On and Off</b>	<b>25</b>
4.2	Battery	5	14.1 Switching On	25
4.3	Deflectors for Mowing Heads	5	14.2 Switching Off	26
<b>5</b>	<b>IMPORTANT SAFETY INSTRUCTIONS</b>	<b>5</b>	<b>15 Checking the Trimmer</b>	<b>26</b>
5.1	General Safety Warnings and Instructions	5	15.1 Testing the Controls	26
5.2	Intended Use	6	<b>16 During Operation</b>	<b>27</b>
5.3	Operator	7	16.1 Using the Trimmer	27
5.4	Personal Protective Equipment	7	16.2 Adjusting the Nylon Line	27
5.5	Trimmer	8	<b>17 After Finishing Work</b>	<b>28</b>
5.6	Using the Trimmer	9	17.1 Preparing for Transportation or Storage	28
<b>6</b>	<b>Battery Safety</b>	<b>14</b>	<b>18 Transporting the Trimmer and Battery</b>	<b>28</b>
6.1	Warnings and Instructions	14	18.1 Trimmer	28
<b>7</b>	<b>Maintenance, Repair and Storage</b>	<b>16</b>	18.2 Battery	28
7.1	Warnings and Instructions	16	<b>19 Storing the Trimmer and Battery</b>	<b>29</b>
<b>8</b>	<b>Before Starting Work</b>	<b>16</b>	19.1 Trimmer	29
8.1	Preparing the Trimmer for Operation	16	19.2 Battery	29
<b>9</b>	<b>Charging the Battery</b>	<b>17</b>	<b>20 Cleaning</b>	<b>29</b>
9.1	Setting up the Charger	17	20.1 Cleaning the Trimmer and Battery	29
9.2	Charging	17	<b>21 Inspection and Maintenance</b>	<b>30</b>
<b>10</b>	<b>LED Diagnostics and Acoustic Signals</b>	<b>18</b>	21.1 Inspecting and Maintaining the Trimmer	30
10.1	STIHL AP Battery	18	<b>22 Troubleshooting Guide</b>	<b>31</b>
10.2	STIHL AR Backpack Battery	19	22.1 Trimmer and Battery	31
<b>11</b>	<b>Assembling the Trimmer</b>	<b>20</b>	<b>23 Specifications</b>	<b>33</b>
11.1	Mounting the Loop Handle	20	23.1 STIHL FSA 86 R	33

# STIHL

This instruction manual is protected by copyright. All rights reserved, especially the rights to reproduce, translate and process with electronic systems.

23.2 Symbols on the Trimmer and Battery .....	33
23.3 Engineering Improvements .....	33
23.4 FCC 15 Compliance Statement .....	33
<b>24 Approved Deflector and Cutting Attachment Combinations .....</b>	<b>34</b>
24.1 STIHL FSA 86 R .....	34
<b>25 Replacement Parts and Equipment .....</b>	<b>35</b>
25.1 Genuine STIHL Replacement Parts .....	35
<b>26 Disposal .....</b>	<b>35</b>
26.1 Disposal of the Power Tool .....	35
26.2 Battery Recycling .....	35
<b>27 Limited Warranty .....</b>	<b>36</b>
27.1 STIHL Incorporated Limited Warranty Policy .....	36
<b>28 Trademarks .....</b>	<b>36</b>
28.1 Registered Trademarks .....	36
28.2 Common Law Trademarks .....	36
<b>29 Addresses .....</b>	<b>37</b>
29.1 STIHL Incorporated .....	37

## 1 Introduction

Thank you for your purchase. The information contained in this manual will help you receive maximum performance and satisfaction from your trimmer and, if followed, reduce the risk of injury from its use.

### SAVE THIS MANUAL!



Because a trimmer is a high-speed cutting tool, special safety precautions must be observed to reduce the risk of personal injury.



Read this instruction manual thoroughly before use and periodically thereafter. Follow all safety precautions. Careless or improper use of the trimmer can cause serious or fatal injury.

Have your authorized STIHL servicing dealer show you how to operate your power tool.

Do not lend or rent the trimmer without this instruction manual. Allow only persons who fully understand the information in this manual to operate the trimmer.

For further information, or if you do not understand any of the instructions in this manual, please go to [www.stihlusa.com](http://www.stihlusa.com) (for Canada: [www.stihl.ca](http://www.stihl.ca)) or contact your authorized STIHL servicing dealer.

## 2 Guide to Using this Manual

### 2.1 Signal Words

This manual contains safety information that requires your special attention. Such information is introduced with the following symbols and signal words:



#### **DANGER**

Indicates a hazardous situation that, if not avoided, will result in death or serious injury.

### **⚠ WARNING**


Indicates a hazardous situation that, if not avoided, could result in death or serious injury.

### **NOTICE**

Indicates a risk of property damage, including damage to the machine or its individual components.

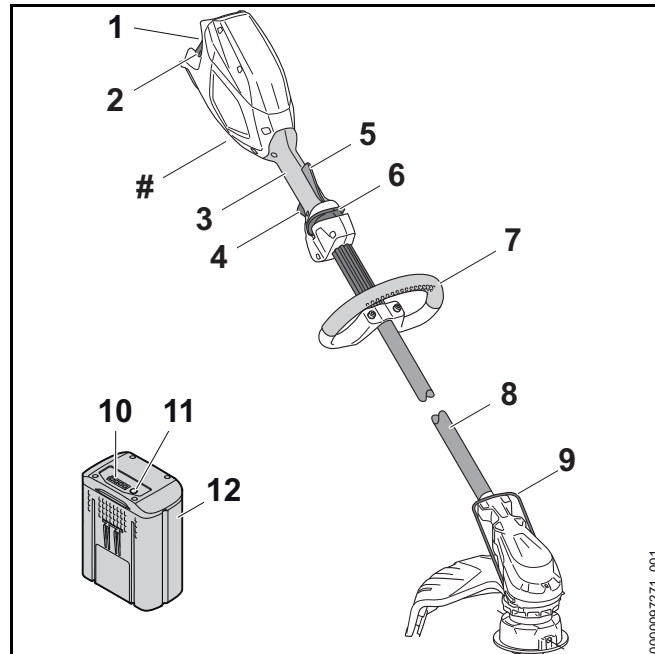
## 2.2 Symbols in Text

The following symbol is included to assist you with the use of the manual:

 Refers to a designated chapter or sub-chapter in this instruction manual.

## 3 Main Parts

### 3.1 Trimmer and Battery



#### 1 Battery Compartment

Holds the battery.

#### 2 Locking Lever

Secures the battery in the battery compartment.

#### 3 Control Handle

Handle for the operator's rear hand.

#### 4 Trigger Switch

Switches the motor on and off.

#### 5 Ergo-Lever

Holds the retaining latch in the unlocked position.

**6 Retaining Latch**

Locks/unlocks the trigger switch.

**7 Loop Handle**

Handle for the operator's front hand.

**8 Drive Tube**

Trimmer shaft.

**9 Bump Guard**

Limits the cutting range of the mowing line.

**10 Battery LEDs**

Indicate the battery's state of charge and display error messages regarding potential malfunctions in the battery or power tool.

**11 Push Button**

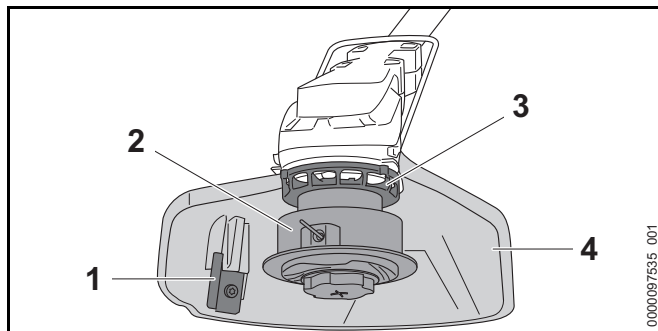
Activates the battery's LEDs.

**12 Battery**

Supplies electrical power to the motor.

**# Rating Plate**

Contains electrical information and the product's serial number.

**3.2 Mowing Head, Cutting Attachments and Deflector****1 Line Limiting Blade**

Metal blade on the deflector that trims the nylon mowing line to the proper length.

**2 Mowing Head**

Mowing head for mounting cutting attachment.

**3 Fan Wheel**

Designed to cool the electric motor.

**4 Deflector**

Designed to reduce the risk of injury from thrown objects and contact with the cutting attachment.

The FSA 86 R is sold with an AutoCut mowing head and appropriate deflector. Other items are available as accessories.

**4 Safety Symbols on the Products****4.1 Trimmer**

The following safety symbols are found on the trimmer.



To reduce the risk of injury, follow the specified safety precautions.



Read and follow all safety precautions in the instruction manual. Improper use can lead to serious or fatal personal injury or property damage.



To reduce the risk of eye injury, always wear proper eye protection, 5.4.



To reduce the risk of personal injury from thrown objects, inspect the work area and remove stones, glass, pieces of metal and other objects that could be thrown by the cutting attachment. 5.6.4.



To reduce the risk of personal injury from thrown objects, keep bystanders at least 50 ft. (15 m) away, 5.6.4.



To reduce the risk of injury or property damage from unintended activation, remove the battery any time the trimmer is not in use, 16.1.

## 4.2 Battery

The following safety symbols are found on the AR series backpack battery and the AP series battery:



To reduce the risk of injury, follow the specified safety precautions.



Read and follow all safety precautions in the battery's instruction manual and the manual for the STIHL tool powered by this battery. Improper use can lead to serious or fatal personal injury or property damage.



To reduce the risk of personal injury or property damage from fire, explosion or burns, including chemical burns, do not disassemble, crush, drop, damage or heat above 212 °F (100 °C). Never expose to fire or incinerate, 6.



To reduce the risk of personal injury or property damage from fire, use and store only within an ambient temperature range of 14 °F to 122 °F (- 10 °C to 50 °C), 6.

### AR 900, 1000, 2000, 3000 Backpack Batteries



To reduce the risk of personal injury or property damage from a short circuit, fire or explosion, keep dry. Protect from rain, water, liquids and damp conditions. Never immerse in water or other liquids, 6.

### AR L Backpack Batteries



To reduce the risk of personal injury or property damage from a short circuit, fire or explosion, keep dry. Never immerse in water or other liquids, 6.

### AP Series Batteries



To reduce the risk of personal injury or property damage from a short circuit, fire or explosion, keep dry. Never immerse in water or other liquids, 6.

Batteries sold separately.

### 4.3 Deflectors for Mowing Heads

The following symbols may be found on deflectors designed for use with mowing heads:



The deflector may be used in combination with the AutoCut and DuroCut mowing head.

#### Deflector for AutoCut and PolyCut Mowing Head



The deflector may be used in combination with the AutoCut, PolyCut and the DuroCut mowing head.

#### Deflector for AutoCut Mowing Head



The deflector must not be used in combination with the PolyCut mowing head.

## 5 IMPORTANT SAFETY INSTRUCTIONS

### 5.1 General Safety Warnings and Instructions

This section contains the prescribed general safety warnings and instructions for handheld, motor-operated electric trimmers. Additional important warnings and instructions are provided in subsequent sections of this manual.

## **▲ WARNING**

- When using electric trimmers, basic safety precautions should always be followed to reduce the risk of fire, electric shock and personal injury, including the following:

### **READ ALL INSTRUCTIONS BEFORE USING THE TRIMMER!**

- 1) Avoid Dangerous Environment – Don't use trimmers in damp or wet locations.
- 2) Don't Use In Rain.
- 3) Keep Children Away – All bystanders should be kept at a distance from work area.
- 4) Dress Properly – Do not wear loose clothing or jewelry. They can be caught in moving parts. Heavy-duty work gloves (e.g. made of leather or other wear resistant material) and substantial footwear are recommended when working outdoors. Wear protective hair covering to contain long hair.
- 5) Use Safety Glasses – Always use face or dust mask if operation is dusty.
- 6) Use Right Tool – Do not use tool for any job except that for which it is intended.
- 7) Avoid Unintentional Starting – Do not carry trimmer with finger on the trigger switch. Be sure the trimmer is off when inserting the battery.
- 8) Don't Force Trimmer – It will do the job better and with less likelihood of a risk of injury at the rate for which it was designed.
- 9) Don't Overreach – Keep proper footing and balance at all times.
- 10) Stay Alert – Watch what you are doing. Use common sense. Do not operate trimmer when you are tired.
- 11) Store Trimmer Indoors – When not in use, trimmer should be stored indoors in a dry, locked place out of reach of children with the battery removed.

- 12) Maintain Trimmer With Care – Keep cutting attachment clean for best performance and to reduce the risk of injury. Follow instructions for changing accessories. Keep handles dry, clean, and free from oil and grease.
- 13) Check Damaged Parts – Before further use of the trimmer, a guard or other part that is damaged should be carefully checked to determine that it will operate properly and perform its intended function. Check for alignment of moving parts, binding of moving parts, breakage of parts, mounting, and any other condition that may affect its operation. A guard or other part that is damaged should be properly repaired or replaced by an authorized service center unless indicated elsewhere in this manual.
- 14) Keep guards in place and in working order.
- 15) Keep hands and feet away from cutting area and cutting attachment.

### **SAVE THESE INSTRUCTIONS**

## **5.2 Intended Use**

### **▲ WARNING**

- This trimmer is designed for cutting grass and similar material around the home. Use of the trimmer for operations different than intended could result in serious injury or death.
  - Use the trimmer only for light-duty trimming tasks around the home and garden.
  - Cut grass and similar material only. Do not use the trimmer for cutting brush, shrubs, bushes or other types of heavy vegetation.
- Improper use could result in personal injury or property damage, including damage to the trimmer.
  - Use the trimmer and battery only as described in this manual.
  - Never attempt to modify or override the trimmer's controls or safety devices in any way.
  - Never use a trimmer that has been modified or altered from its original design.



- This power tool may be powered by a STIHL AP series battery. Alternatively, it may be powered by a STIHL AR series backpack battery in combination with an AP Adapter.

Batteries, chargers and other accessories are sold separately.

### 5.3 Operator

## ⚠ WARNING

- Working with the trimmer can be strenuous. The operator must be in good physical condition and mental health. To reduce the risk of personal injury from fatigue and loss of control:
  - Check with your doctor before using the trimmer if you have any health condition that may be aggravated by strenuous work.
  - Do not operate the trimmer while under the influence of any substance (drug, alcohol or medication, etc.) that might impair vision, balance, dexterity or judgment.
  - Be alert. Do not operate the trimmer when you are tired. Take a break if you become tired.
  - Do not permit minors to use the trimmer.
- According to STIHL's current knowledge, the electric motor of this trimmer should not interfere with a pacemaker.
  - However, persons with a pacemaker or other implanted medical device should consult their physician and device manufacturer before operating this trimmer.

### 5.4 Personal Protective Equipment

## ⚠ WARNING

- Even a properly installed and adjusted deflector may not protect the operator from all foreign objects thrown or flung by the cutting attachment. Thrown objects may also ricochet and strike the operator. To reduce the risk of personal injury:

- Always wear proper clothing and protective apparel, including proper eye protection.

- Loss of control and severe cut injuries may result if hair, clothing or apparel make contact with the moving cutting attachment or otherwise become entangled in the components of the trimmer. To reduce the risk of severe personal injury:



- Wear sturdy and snug-fitting clothing that also allows complete freedom of movement.

- Wear overalls or long pants made of heavy material to help protect your legs. Do not wear shorts.

- Avoid loose-fitting jackets, scarves, neckties, flared or cuffed pants, jewelry and any other apparel that could be caught on branches, brush or the moving cutting attachment.

- Secure hair above shoulder level before starting work.

- To reduce the risk of eye injury:



- Always wear goggles or close-fitting protective glasses with adequate side protection that are impact-rated and marked as complying with ANSI Z87 "+".

- If there is a risk of facial injury, STIHL recommends that you also wear a face shield or face screen over your goggles or protective glasses.

- Wear an approved protective helmet when there is a risk of head injury.

- Good footing is very important. To help maintain a secure footing and reduce the risk of injury while working:



- Wear substantial footwear with non-slip soles. Do not wear sandals, flip-flops, open-toed or similar footwear.



- To improve your grip and help protect your hands:




- Always wear heavy-duty non-slip work gloves made of leather or another wear-resistant material when handling the trimmer.

## 5.5 Trimmer

### ⚠ WARNING


- To reduce the risk of electric shock:
  - Do not expose the power tool to water or excessive moisture.
  - Store the trimmer indoors.
- If the moving cutting attachment contacts you, it will result in serious laceration injuries. To reduce the risk of such injuries:
  - Keep hands, feet and other parts of your body away from the cutting attachment.
  - Never touch the moving cutting attachment with your hand or any other part of your body.
  - Never operate the trimmer with a damaged or missing deflector.
- To reduce the risk of personal injury to the operator and bystanders from blade or line contact and thrown objects:
  - 
    - Make sure your unit is equipped with the proper deflector for the type of cutting attachment being used. Keep the deflector properly adjusted at all times.
  - Use of some cutting attachments will require you to change the deflector. See chapter  24.1 of this manual for approved cutting attachment and deflector configurations.

- This battery-powered trimmer is intended only for light-duty garden and landscape maintenance around the home. Use for other purposes may increase the risk of personal injury and property damage.
  - Cut grass and similar material only. Do not use the trimmer for cutting brush, shrubs, bushes or other types of heavy vegetation.
  - Read and follow the operating instructions in this manual for approved applications,  16.

- To reduce the risk of personal injury to the operator and bystanders:





- Always release the trigger switch and remove the battery before assembling, transporting, adjusting, inspecting, cleaning, servicing, maintaining or storing the trimmer and any other time it is not in use.
  - Never leave the power tool unattended when the battery is inserted.
- Although certain unauthorized attachments may fit your STIHL trimmer, their use may be extremely dangerous. Only attachments supplied by STIHL or expressly approved by STIHL for use with this specific model are recommended.
  - Use only attachments supplied or expressly approved by STIHL.
  - Never attempt to mount a metal blade for use on the trimmer.
  - Never modify this trimmer in any way.
  - Never attempt to modify or override the trimmer's controls or safety devices in any way.
  - Never use a trimmer that has been modified or altered from its original design.
- If the trimmer is dropped or subjected to similar heavy impacts:
  - Check that it is undamaged, in good condition and functioning properly before continuing work.
  - Check that the controls and safety devices are working properly.



- Check the LEDs on the battery for error messages,  22.
- Check that the battery has not been damaged. Never use or charge a malfunctioning, damaged, cracked, leaking or deformed battery.
- Never work with a damaged or malfunctioning trimmer. In case of doubt, have the trimmer checked by your authorized STIHL servicing dealer.
- If the trimmer or battery is damaged, not working properly, has been left outdoors or dropped into water or other liquid, its components may no longer function properly and safety devices may be inoperative. To reduce the risk of personal injury and property damage:
  - Take the trimmer and battery to your authorized STIHL servicing dealer to be checked before further operation.
- Genuine STIHL replacement parts are specifically designed to match your trimmer and meet safety and performance requirements. Use of parts that are not authorized or approved by STIHL may cause serious or fatal injury or property damage.
  - STIHL recommends that only identical STIHL replacement parts be used.

## 5.6 Using the Trimmer

### 5.6.1 Before Operation

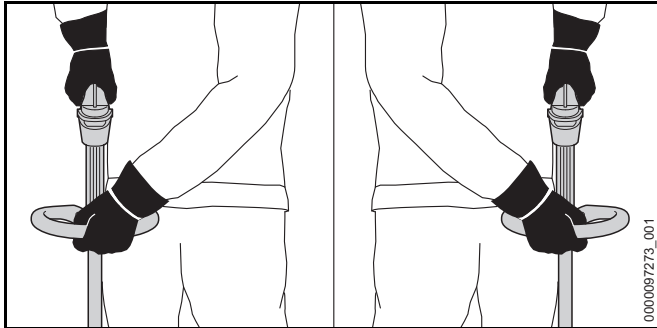
#### **WARNING**

- Misuse or unauthorized use may result in personal injury and property damage.
  - Use the trimmer only as described in this instruction manual.
- For proper assembly of the cutting attachment, deflector and handle:
  - Read and follow the instructions on mounting the cutting attachment, deflector and handle,  11.
- The cutting attachment and deflector must be an approved combination. Before replacing:
  - Read and follow the instructions on selecting the proper cutting attachment and deflector,  24.1.
- The cutting attachment must be properly installed and tightened before starting work. Failure to use the proper parts to mount the cutting attachment may cause the head to fly off and seriously injure the operator or bystanders.
  - Never mount a cutting attachment to the trimmer without the proper installation of all required parts (e.g., nuts, screws, thrust washer, thrust plate, etc.).
  - Before starting work, inspect for loose parts (nuts, screws, etc.) and for cracked or damaged heads.
  - Replace damaged or worn out heads before using the power tool.

- Using only the approved combination of cutting attachment and deflector is extremely important to maximize cutting performance and reduce the risk of personal injury from thrown objects or contact with the cutting attachment:
  - To reduce the risk of serious injury, never use wire or metal-reinforced line or other material in place of the recommended nylon cutting line. Pieces of wire could break off and be thrown at high speed toward the operator or bystanders.
- Using a trimmer that is modified, damaged, improperly adjusted or not completely and securely assembled can lead to a malfunction and increase the risk of serious personal injury or death.
  - Never operate a trimmer that is modified, damaged, improperly maintained or not completely and securely assembled.
  - Always check your trimmer for proper condition and operation, particularly the retaining latch, Ergo-Lever, trigger switch, deflector and cutting attachment.
  - Ensure that the retaining latch, Ergo-Lever and trigger switch move freely and spring back into place when released. The trigger switch must not engage until the retaining latch is unlocked.
  - Never attempt to modify or override the controls or safety devices.
  - The cutting attachment must engage only when the battery is inserted, the retaining latch is unlocked and the Ergo-Lever and trigger switch are depressed.
  - If your trimmer or any part is damaged or does not function properly, take it to your authorized STIHL servicing dealer. Do not use the trimmer until the problem has been corrected.
- Before inserting the battery:
  - Check the electrical contacts in the battery compartment for corrosion or other foreign matter and keep clean.
  - Never insert or use a malfunctioning, damaged, cracked, leaking or deformed battery.
  - Read and follow the instructions on switching on the trimmer,  14.1.
- To help reduce the risk of serious personal injury or death from unintentional starting:
  - Be sure the retaining latch is in the locked position before inserting the battery.
  - Never carry the trimmer with your finger on the trigger switch.
  - Release the trigger switch before removing the battery.
  - Remove the battery before assembling, transporting, adjusting, inspecting, cleaning, servicing, maintaining or storing the trimmer and any other time it is not in use.
  - Never leave the trimmer unattended when the battery is inserted.
  - Never store the battery in the trimmer.
- Before switching on your trimmer, take the following steps to reduce the risk of personal injury from thrown objects, loss of control or inadvertent contact with the cutting attachment:
  - Be sure that the cutting attachment is clear of you and all other obstructions and objects, including the ground.
  - Read and follow the instructions on switching on the trimmer,  14.1.



## 5.6.2 Holding and Controlling the Trimmer



## ⚠ WARNING

- To maintain a firm grip and properly control your trimmer:
  - Keep the handles clean and dry at all times. Keep them free of moisture, pitch, oil, grease and resin.
- To reduce the risk of serious or fatal injuries to the operator or bystanders from loss of control:
  - Always hold the trimmer firmly with both hands when you are working.
  - Wrap your fingers tightly around the handles, keeping the handles cradled between your thumb and forefinger (see illustration).
  - Position the trimmer in such a way that all parts of your body are clear of the cutting attachment whenever the battery is inserted.
- Working with the cutting attachment above ground level or perpendicular to the ground increases the risk of severe injury from thrown objects. It also exposes more of the cutting attachment and makes the trimmer more difficult to control, increasing the risk of injury. To reduce the risk of serious or fatal injury from loss of control or thrown objects when trimming:
  - Keep the cutting attachment at ground level, parallel to the ground.
- To reduce the risk of serious or fatal cut injuries to the operator or bystanders from contact with the cutting attachment:



- Keep hands, feet and other body parts away from the cutting attachment.
- Never touch a moving cutting attachment with your hand or any other part of your body

- Do not touch the cutting attachment while the battery is inserted.

- Operating the trimmer with one hand may lead to loss of control and is extremely dangerous. To reduce the risk of serious or fatal injury to the operator or bystanders from loss of control:



- Never attempt to operate the trimmer with one hand.

- To reduce the risk of serious or fatal cut injuries to the operator or bystanders from loss of control, keep proper footing and balance at all times:
  - Make sure you have good balance and a secure footing at all times.
  - Take special care in overgrown or wet terrain and always watch for hidden obstacles such as tree stumps, roots, rocks, holes and ditches to avoid stumbling or falling.
  - Be extremely cautious when working on slopes or uneven ground.
  - For better footing, always clear away fallen branches, scrub, cuttings and other material, objects or vegetation that can increase the danger of slipping, tripping or falling.
  - Never operate the trimmer above waist height.
  - Do not overreach.
- The trimmer should be balanced for proper control and less fatigue during operation.
  - Adjust the position of the loop handle to achieve and maintain a comfortable and effective working position, 12.

### 5.6.3 Working Conditions

## **⚠** WARNING

- Operate your trimmer only under good visibility during favorable daylight conditions.
  - Postpone the work if the weather is windy, foggy, rainy or inclement.
- Your trimmer is a one-person machine.
  - Bystanders, especially children, and animals should not be allowed in the area where it is in use.
  - Switch off the trimmer immediately if you are approached.
- To reduce the risk of injury to bystanders and unauthorized users:
  - Never leave the trimmer unattended when the battery is inserted.
  - Switch off the trimmer and remove the battery during work breaks and any other time the trimmer is not in use.
- Sparks generated from operation of the trimmer may be capable of igniting combustible gases, liquids, vapors, dusts or other combustible materials and substances. To reduce the risk of fire and explosion:
  - Never operate the trimmer in a location where combustible gases, liquids, vapors, dusts or other combustible materials and substances are present.
  - Read and follow recommendations issued by government authorities (e.g., OSHA) for identifying and avoiding the hazards of combustible gases, liquids, vapors, dusts or other combustible materials and substances.
- Use of this trimmer can generate dust and other substances containing chemicals known to cause respiratory problems, cancer, birth defects and other reproductive harm.
  - Consult governmental agencies such as EPA, OSHA, CARB and NIOSH and other authoritative sources on hazardous materials if you are unfamiliar

with the risks associated with the particular substances you are cutting or with which you are working.

- Inhalation of certain dusts, especially organic dusts such as mold or pollen, can cause susceptible persons to have an allergic or asthmatic reaction. Substantial or repeated inhalation of dust or other airborne contaminants, especially those with a smaller particle size, may cause respiratory or other illnesses.
  - Control dust at the source where possible.
  - To the extent possible, operate the trimmer so that the wind or operating process directs any dust, mist or other particulate matter raised by the trimmer away from the operator.
  - When respirable dust or other particulate matter cannot be kept at or near background levels, always wear a respirator that is approved by NIOSH and rated for worksite-specific conditions. Follow the recommendations of governmental authorities (e.g., OSHA/NIOSH) and occupational and trade associations.
- If the vegetation being cut or the surrounding ground is coated with a chemical substance, such as a pesticide or herbicide:
  - Read and follow the instructions and warnings that accompanied the substance coating the vegetation or surrounding ground.

### 5.6.4 Operating Instructions

## **⚠** WARNING

- In the event of an emergency:
  - Switch off the motor immediately and remove the battery.
- The cutting attachment continues to rotate for a short period after the trigger switch is fully released. This is known as the "flywheel effect." To reduce the risk of serious personal injury from contact with the cutting attachment:



- Wait for the cutting attachment to stop before walking with the trimmer or putting it down.

- The rotating cutting attachment may fling foreign objects directly or by ricochet a great distance. Thrown objects, including broken cutting attachments, may cause serious or fatal injury to the operator or bystanders. To reduce the risk of severe personal injury:



- Inspect the work area. Remove stones, glass, pieces of metal or other objects that could be thrown by the cutting attachment, damage the cutting attachment or cause damage to property (e.g., parked vehicles, windows).



- Always wear proper eye protection and keep bystanders at least 50 ft. (15 m) away from the work area. Any persons who must enter the restricted area must also wear proper eye protection.

- To reduce the risk of damage to property, also maintain this distance from such objects as vehicles and windows.
- Maintaining a minimum distance of 50 ft. (15 m) cannot eliminate the potential risk of personal injury and property damage from thrown objects.
- Switch off the motor immediately if you are approached while working with the trimmer.
- Your trimmer is equipped with a deflector. To reduce the risk of personal injury from thrown objects and contact with the cutting attachment:



- Never operate the trimmer with a damaged or missing deflector.
- The cutting attachment and deflector must be an approved combination.
- Keep the deflector properly adjusted at all times.

- Use of metal cutting attachments, wire or metal-reinforced line or other non-approved cutting attachments is not authorized and could be extremely dangerous.



- Never use metal blades or metal-reinforced line on this trimmer. Use only the cutting attachments recommended in this manual, in combination with the recommended deflector. See Combinations of Deflectors and Cutting Attachments, 24.

- To reduce the risk of severe personal injuries from unintentional starting:



- Never touch the cutting attachment or mowing head with your hand, feet or any other part of your body while the battery is inserted, even when the cutting attachment is not moving. Keep bystanders at least 50 ft. (15 m) away.

- Remove the battery before installing or adjusting the bump guard.



- Switch off the motor and remove the battery before inspecting a mowing head, cutting attachment or deflector. Clean dirt, grass, weeds and other material from the mowing head and deflector at regular intervals, but only after removing the battery.

- A damaged or loose cutting attachment or mowing head may vibrate, crack, break or come off the trimmer, which may result in serious or fatal injury.
  - Make sure the cutting attachment and mowing head are properly tightened before starting work.
  - Check the tightness and condition of the cutting attachment and mowing head before starting work and any time trimming behavior changes during use. Always switch off the motor, wait for the cutting attachment to stop and remove the battery before inspecting the trimmer or its cutting attachment.
  - If the mowing head or cutting attachment loosens after being properly tightened, stop work immediately and have the trimmer inspected by your authorized STIHL servicing dealer.
  - Never use a trimmer with a loose mowing head or cutting attachment.
- A cracked, damaged or worn out mowing head may shatter at high speeds and cause serious or fatal injury.
  - Have a cracked, damaged or worn out mowing head replaced immediately, even if damage appears to be limited to superficial cracks.

## DANGER

- To reduce risk of electrocution:
  - Never operate this trimmer in the vicinity of any wires or cables that may be carrying electric current.
  - Do not rely on the trimmer's insulation against electric shock.



## 6 Battery Safety




### 6.1 Warnings and Instructions

#### WARNING

- Read and follow the safety precautions on the battery and all warnings and instructions that accompany it.
- Use of unauthorized batteries can damage the power tool and result in fire, explosion and personal injury and property damage.
  - Use only genuine STIHL AR or AP series batteries with this power tool.
- Use of STIHL AR or AP series batteries for any purpose other than powering STIHL power tools could be extremely dangerous.
  - Use STIHL AR and AP series batteries only to power compatible STIHL power tools.
- Use of unauthorized chargers can damage the battery and result in fire, explosion and personal injury and property damage.
  - Charge STIHL AP series batteries only with genuine STIHL AL 101, AL 300 or AL 500 series chargers.
  - Charge STIHL AR series backpack batteries only with genuine STIHL AL 300 or AL 500 series chargers.
- The battery contains safety features and devices which, if damaged, may allow the battery to generate heat, rupture, leak, ignite or explode.
  - Never heat the battery above 212 °F (100 °C).
  - Never incinerate or place the battery on or near fires, stoves or other high-temperature locations.
  - Never use or charge a malfunctioning, damaged, cracked, leaking or deformed battery.
  - Never open, disassemble, crush, drop, subject to heavy impact or otherwise damage the battery.





- Never expose the battery to microwaves or high pressures.
- Never insert objects into the battery's cooling slots.
- Extreme temperatures may cause the battery to generate heat, rupture, leak, ignite or explode, resulting in severe or fatal personal injury and property damage. Exposure to temperatures outside the recommended temperature range may also reduce battery life and performance.
  -  – Use and store the battery only within an ambient temperature range of 14 °F to 122 °F (-10 °C to 50 °C).
  - Never store the battery in direct sunlight or inside a vehicle in hot weather.
- To reduce the risk of personal injury and property damage in the event the battery emits smoke, an unusual smell or feels unusually hot while using, charging or storing:
  - Immediately discontinue using or charging the battery. Contact the authorities in the event of fire or explosion.
- To reduce the risk of a short circuit, which could lead to electric shock, fire and explosion:
  -  – Keep STIHL AR 900, 1000, 2000, 3000 backpack batteries dry. Protect from rain, water and other liquids. Attach the rain cover to a STIHL AR 1000, 2000, 3000 battery before starting work in rain or in very damp conditions.
  -  – If a STIHL AP or AR L battery has been exposed to rain during work, remove it from the product and allow it to dry indoors. Make sure it is completely dry before charging or using.
  - Never immerse any STIHL battery in water or other liquids.
  - Never bridge the battery terminals with wires or other metallic objects.
  - Keep a battery that is not in use away from metal objects (e.g., paper clips, nails, coins, keys).
- Never transport or store the battery in a metal container.
- Store the battery indoors in a dry room.
- Never store the battery in damp or corrosive environments or in conditions that could lead to corrosion of its metal components.
- Protect the battery from exposure to corrosive agents such as garden chemicals and de-icing salts.
- Protect the battery from exposure to conductive liquids such as salt water.
- Do not attempt to repair, open or disassemble the battery. There are no user-serviceable parts inside.
- Leaking battery fluid is potentially harmful and can cause skin and eye irritation, chemical burns and other serious personal injury.
  - Avoid contact with skin and eyes.
  - Use an inert absorbent such as sand on spilled battery fluid.
  - In the event of accidental contact, immediately rinse the contact area thoroughly with mild soap and water.
  - If fluid gets into your eye(s): do not rub. Rinse water over the open eye(s) for at least 15 minutes and seek medical attention.
- A battery fire can be dangerous. To reduce the risk of severe personal injury and property damage in the event of fire:
  - Evacuate the area. Fire can spread rapidly. Stay clear of any vapors generated and maintain a safe distance.
  - Contact the fire department.
  - Although water can be used to put out a battery fire, use of a multi-purpose dry chemical fire extinguisher is preferable.
  - Consult the fire department regarding proper disposal of a burned battery.

## 7 Maintenance, Repair and Storage

### 7.1 Warnings and Instructions

#### **▲ WARNING**

- There are no user-authorized repairs for the battery or trimmer. To reduce the risk of fire, electric shock or other personal injury and property damage:
  - Users may carry out only the cleaning and maintenance operations described in this manual.
  - Strictly follow the cleaning and maintenance instructions in the appropriate sections of this instruction manual.
  - Never attempt to repair a damaged or broken cutting attachment. This may cause broken parts to come off and result in serious or fatal injuries.
  - STIHL recommends that all repair or replacement work be performed by authorized STIHL servicing dealers.
- Unintentional starting may result in personal injury or property damage. To reduce the risk of personal injury and property damage from unintentional starting:



- Remove the battery before inspecting the trimmer or carrying out any cleaning, maintenance or repair work, before storing, and any other time the trimmer is not in use.




- Use of parts that are not authorized or approved by STIHL may cause serious or fatal injury or property damage.
  - STIHL recommends that only identical STIHL replacement parts be used for repair or maintenance.
- To reduce the risk of short circuit and fire:
  - Keep the battery guides free of foreign matter. Clean as necessary, 20.1.
- Improper storage can result in unauthorized use, damage to the power tool and an increased risk of fire, electric shock and other personal injury or property damage.
  - Remove the battery from the power tool before storing.
  - Never store the power tool or charger with the battery inserted.
  - Store the trimmer and battery indoors in a dry, secure place that cannot be accessed by children or other unauthorized users.
  - Never store the battery in the trimmer, in the charger in a metal container or in a container with metal objects (e.g., paper clips, nails, coins, keys).
- Dropping the battery could result in personal injury or property damage. To prevent the battery from falling during removal:
  - Place the trimmer on a level surface.
  - Use care when ejecting the battery.

## 8 Before Starting Work

### 8.1 Preparing the Trimmer for Operation

Before starting work:

- ▶ Fully charge the battery, 9.
- ▶ Mount the trimmer's loop handle, 11.1.
- ▶ Mount a deflector that is approved for use with the cutting attachment you intend to use, 11.3, 24.1.

- ▶ Mount an approved mowing head,  11.4.1
- ▶ Adjust the trimmer's loop handle,  12.1.
- ▶ Check the controls for proper function and condition,  15.1

## 9 Charging the Battery

### 9.1 Setting up the Charger

#### WARNING

Read and follow the safety precautions on the battery and charger and all warnings and instructions that accompany those products. To reduce the risk of short circuit, which could lead to electric shock, fire and explosion, make sure the charger and its components are dry and not damaged; operate the charger indoors at an appropriate ambient temperature.

#### WARNING

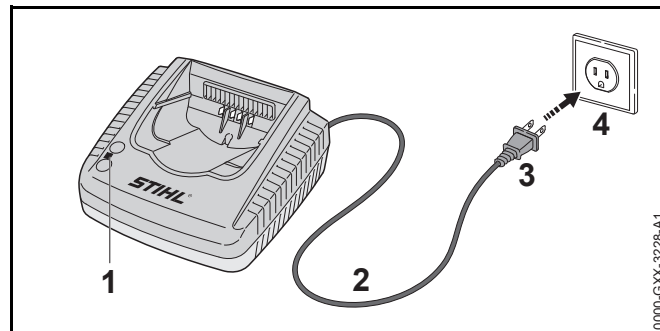
A typical household electric circuit is between 15 and 20 amps. A single STIHL AL 500 charger draws approximately 4.8 amps. A single AL 300 charger draws approximately 4.4 amps. To reduce the risk of fire from overloading an electrical circuit:

- ▶ Ensure the electrical system is rated to withstand the expected electrical draw before charging your battery.
- ▶ Charge multiple batteries one at a time or on separate circuits, unless you know your circuit can handle the total expected draw from multiple chargers.

#### WARNING

Since the charger heats up during the charging process, do not operate the charger on a combustible surface or in a location where combustible gases, liquids, vapors, dusts or other materials and substances are present.

To set up the charger:



- ▶ Insert the plug (3) into a properly installed electrical outlet (4) matching the voltage and electrical frequency stated on the rating plate on the charger.

The charger runs a self-test immediately after it is plugged in. The charger LED (1) will glow green for about 1 second, then it will glow red briefly before going out. Once the LED goes out, the self-test is complete and the charger is ready to charge the battery.

- ▶ Position the power supply cord (2) so that it will not be stepped on, tripped over, come in contact with sharp objects or moving parts or otherwise be subjected to damage or stress.

### 9.2 Charging

#### WARNING

STIHL batteries contain safety features and devices which, if damaged, may allow the battery to generate heat, rupture, leak, ignite or explode. Never charge a malfunctioning, damaged, cracked, leaking or deformed battery, or use a charger that has been damaged. Never insert a wet battery or battery adapter. Never use a wet charger. Follow all product-specific warnings and instructions accompanying your battery and charger.

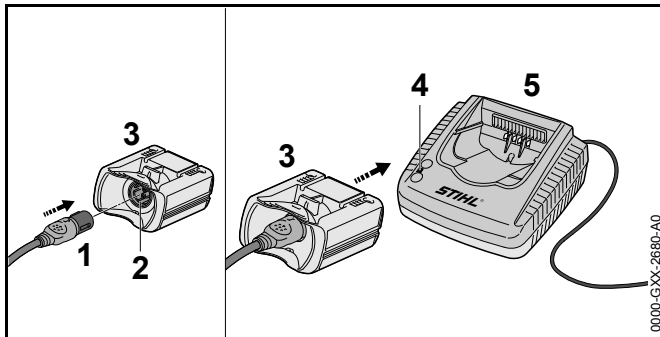
A battery is not fully charged when it ships from the factory. STIHL recommends that you fully charge the battery before using it the first time.

Operate the charger only indoors, in dry rooms and within an ambient temperature range of 41 °F to 104 °F (5 °C to 40 °C).

The battery heats up during operation of the power tool. If a hot battery is connected to the charger, it may be necessary for it to cool down before charging starts. The charging process begins only after the battery has cooled down sufficiently.

Charging time depends on a number of factors, including battery condition and the ambient temperature. For a complete list of approximate charging times, see [www.stihl.com/charging-times](http://www.stihl.com/charging-times).

### To charge an AR battery:



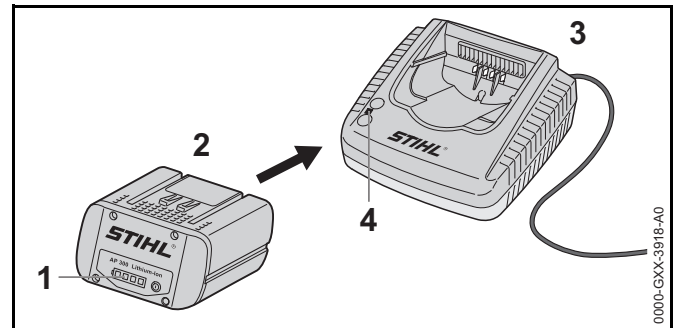
- ▶ Push the plug of the connecting cord (1) into the socket (2) of the AP Adapter (3) until it stops.
- ▶ Push the AP Adapter into the charger (5) until it stops. The LED on the **charger** (4) glows green when the battery is charging.

The LEDs on the **AR battery** glow green and show the state of charge.

When the LEDs on the battery turn off, the charging process is complete and the charger will shut itself off. The AP Adapter can be removed from the charger.

- ▶ Disconnect the power supply cord from the electrical outlet when the charger is not in use.
- ▶ Charge STIHL AR backpack batteries only with genuine STIHL AL 300 or AL 500 series chargers.

### To charge an AP battery:



- ▶ Push the battery (2) into the charger (3) until it stops. The LED on the **charger** glows green when the battery is charging.

The LEDs (1) on the **AP battery** glow green and show the state of charge.

When the LEDs on the battery go out, the charging process is complete and the charger will shut itself off. The AP battery can be removed from the charger.

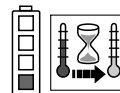
- ▶ Disconnect the power supply cord from the electrical outlet when the charger is not in use.
- ▶ Charge STIHL AP series batteries only with genuine STIHL AL 101, AL 300 or AL 500 series chargers.

## 10 LED Diagnostics and Acoustic Signals

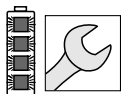
### 10.1 STIHL AP Battery

#### 10.1.1 Battery Status

Four LEDs show the status of the battery. These LEDs can glow or flash green or red.



**If one LED glows red continuously:** the battery is either too hot or too cold. Allow the battery to warm up or cool down gradually at an ambient temperature of about 50 °F to 68 °F (10 °C to 20 °C).



**If all 4 LEDs flash red:** the battery has a malfunction and must be replaced. Do not attempt to charge, use or store the battery.

### 10.1.2 Power Tool Status

The same LEDs on the battery will indicate the status of the power tool.

**If three LEDs glow red continuously:** the power tool motor is too hot. Allow the motor to cool down.

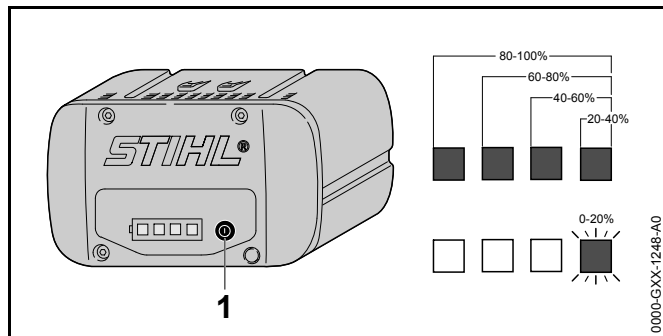
**If three LEDs flash red when you activate the trigger switch:** the power tool has an electrical malfunction. Do not operate the power tool. Have it checked by an authorized STIHL servicing dealer before use or storage.

For troubleshooting information, 22.

### 10.1.3 Charge Status

The LEDs on the battery also show the battery's state of charge.

To determine the battery's state of charge:



- Press the button (1) on the battery. The LEDs on the battery will glow or flash green for about 5 seconds and indicate the state of charge (see illustration).

**For example:**

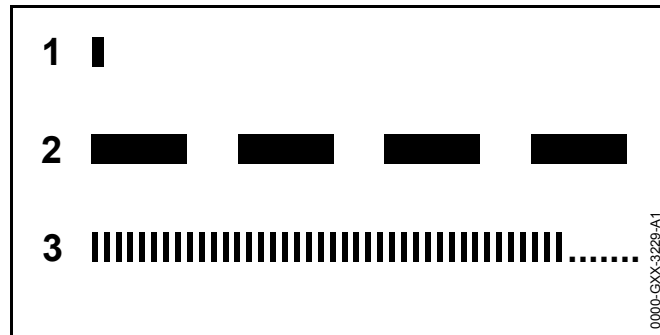
**If four green LEDs glow continuously:** full charge.

**If one green LED is flashing:** less than 20 % charge.

## 10.2 STIHL AR Backpack Battery

### 10.2.1 Battery Status

Six LEDs and an acoustic signal indicate the status of the battery.



#### 1 A short beep

The acoustic signal works as it should.

#### 2 Four or six (AR L) long beeps

The battery's charge is low. Recharge the battery.

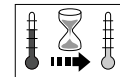
#### 3 Rapid succession of short beeps

There is a malfunction in the battery. The signal stops automatically after a few seconds. Do not attempt to charge, use or store the battery. Replace the battery.

These LEDs can glow or flash green or red.



**If one LED glows red continuously:** the battery is either too hot or too cold. Allow the battery to warm up or cool down gradually at an ambient temperature of about 50 °F to 68 °F (10 °C to 20 °C).



**If the four right side LEDs flash red and a rapid succession of several short beeps is emitted:** the battery has a malfunction and must be replaced. Do not attempt to charge, use or store the battery.




- Be aware that your ability to hear the acoustic signal may be reduced when wearing hearing protection.

### 10.2.2 Power Tool Status

When the battery is connected to the power tool, the same LEDs on the battery will indicate the status of the power tool.

**If three LEDs glow red continuously:** the power tool motor is too hot. Allow the motor to cool down.

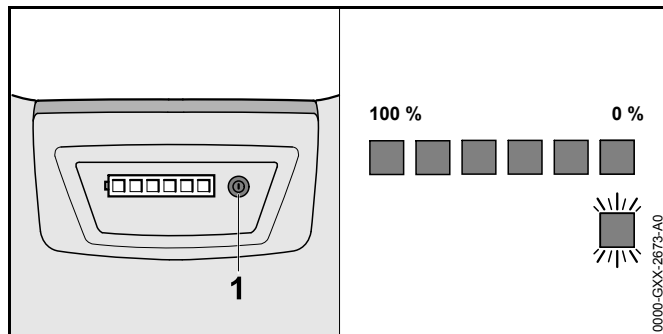
**If three LEDs flash red when you activate the trigger switch:** the power tool has an electrical malfunction. Do not operate the power tool. Have it checked by an authorized STIHL servicing dealer before use or storage.

For troubleshooting information,  22.

### 10.2.3 Charge Status

The LEDs and acoustic signals on the battery also indicate the battery's state of charge.

To determine the battery's state of charge:



- ▶ Press the button (1) on the backpack battery.

A single short beep will be emitted. The LEDs on the battery will glow or flash green for about 5 seconds and indicate the state of charge (see illustration).

**For example:**

**If six green LEDs glow continuously:** full charge.

**If one green LED is flashing and four long beeps are emitted:** less than 20 % charge.



## 11 Assembling the Trimmer

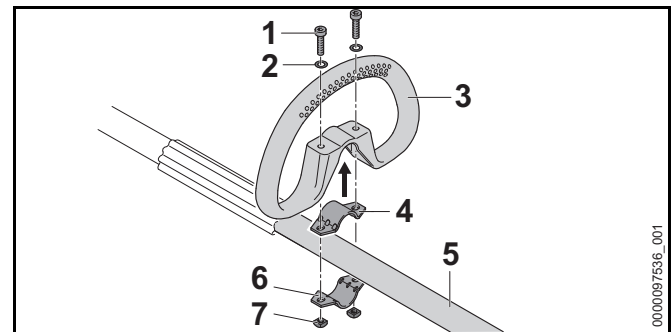
### 11.1 Mounting the Loop Handle

#### WARNING

To reduce the risk of injury from loss of control, ensure that the loop handle is properly and securely mounted before starting work.

To mount the loop handle:



- ▶ Switch off the power tool,  14.2.
- ▶ Remove the battery,  13.2.

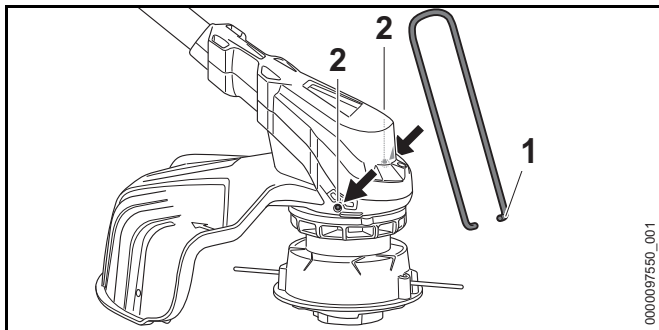


- ▶ Position one clamp (4) in the loop handle (3).
- ▶ Position the other clamp (6) against the underside of the drive tube (5) and line up the holes in the loop handle and clamps.
- ▶ Put washers (2) on the screws (1) and insert the screws through the holes in the loop handle and clamps.
- ▶ Attach the square nuts (7) and tighten securely. Ensure that the handle is tight and will not move during operation.

### 11.2 Mounting the Bump Guard

To mount the bump guard:

- ▶ Switch off the power tool,  14.2.
- ▶ Remove the battery,  13.2.



- ▶ Insert the ends of the bump guard (1) into the holes (2) in the housing.

The bump guard does not have to be removed again.

## 11.3 Mounting and Removing a Deflector

### 11.3.1 Mounting the Deflector

#### **!** WARNING

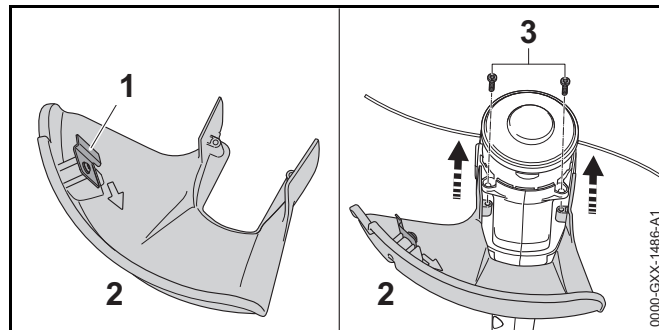
To reduce the risk of injury from thrown objects or contact with the cutting attachment, never operate the trimmer without a properly mounted deflector. Keep bystanders at least 50 ft. (15 m) away. When using a deflector designed for use with a PolyCut mowing head, you must change the deflector before mounting the mowing head.

#### **!** WARNING

The cutting attachment and deflector must be an approved combination. Use only an approved combination of cutting attachment and deflector to maximize cutting performance and reduce the risk of serious personal injury from thrown objects or contact with the cutting attachment, [13.2](#).

To mount the deflector:

- ▶ Switch off the trimmer, [14.2](#).
- ▶ Remove the battery, [13.2](#).



- ▶ Push the deflector (2) into the guides on the housing until it stops.  
The deflector must be tight against the housing.

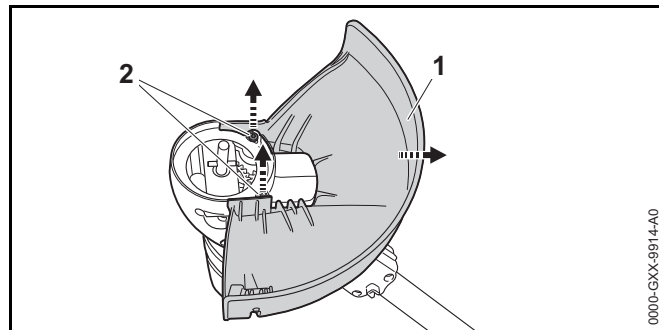
- ▶ Insert and tighten the screws (3).

The line limiting blade (1) comes mounted in the deflector and may not be removed.

### 11.3.2 Removing a Deflector

To remove a deflector:

- ▶ Switch off the power tool, [14.2](#).
- ▶ Remove the battery, [13.2](#).




- ▶ Remove the screws (2).
- ▶ Remove the deflector (1)




## 11.4 Mounting and Removing a Mowing Head

### 11.4.1 Mounting a Mowing Head

#### **!** WARNING



Use of wire or metal-reinforced line is not authorized and could be extremely dangerous. Use only the cutting attachments recommended in this manual, in combination with the recommended deflector,  5.6.4.

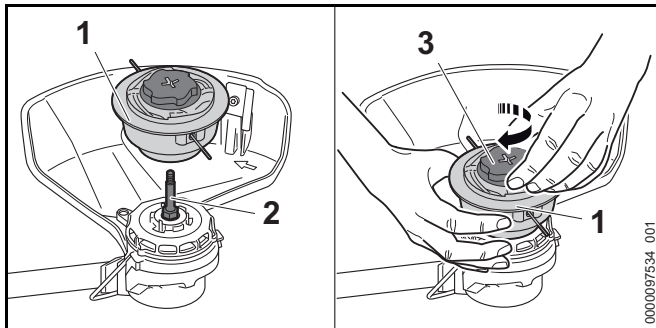
#### **!** WARNING

A damaged or loose cutting attachment or mowing head may vibrate, crack, break or come off the trimmer which may result in serious or fatal injury or property damage. Make sure the mowing head and cutting attachment are properly tightened and in good condition before starting work,  5.6.4.

#### Mowing head AutoCut C 6-2

To mount a AutoCut C 6-2 mowing head:

- ▶ Switch off the trimmer,  14.2.
- ▶ Remove the battery,  13.2.





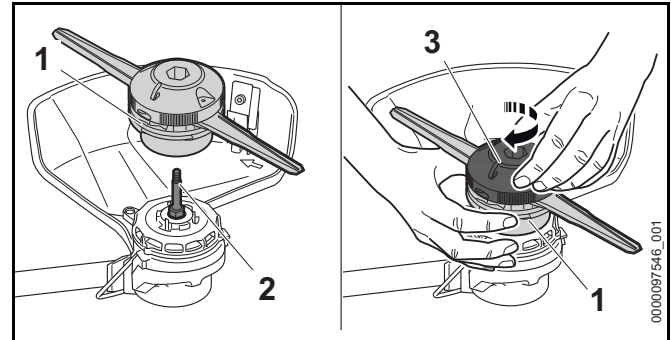
- ▶ Position the unit so that you are facing the underside of the deflector and the drive shaft is pointed upwards.
- ▶ Slip the mowing head (1) onto the drive shaft (2).
- ▶ By hand, screw the cap (3) clockwise onto the drive shaft (2) while holding the mowing head (1) with your other hand.

- ▶ Continue screwing down the cap until it is securely attached.

#### Mowing head PolyCut 6-2

To mount a PolyCut 6-2 mowing head:



- ▶ Switch off the trimmer,  14.2.
- ▶ Remove the battery,  13.2.



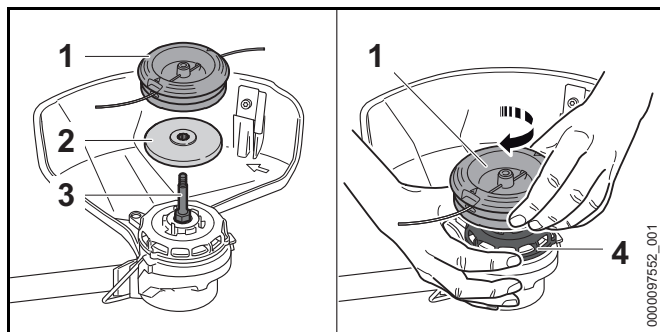
- ▶ Position the unit so that you are facing the underside of the deflector and the drive shaft is pointed upwards.
- ▶ Slip the mowing head (1) onto the drive shaft (2).
- ▶ By hand, screw the upper part (3) clockwise onto the drive shaft (2) while holding the mowing head (1) with your other hand.
- ▶ Continue screwing down the upper part until it is securely attached.

#### Mowing head DuroCut 5-2

To mount a DuroCut 5-2 mowing head:

- ▶ Switch off the trimmer,  14.2.
- ▶ Remove the battery,  13.2.





- ▶ Position the unit so that you are facing the underside of the deflector and the drive shaft is pointed upwards.
- ▶ Slip the thrust plate (2) onto the drive shaft (3), keeping the side of the thrust plate with the smaller diameter facing upwards toward the mowing head (1).
- ▶ By hand, screw the mowing head (1) clockwise onto the drive shaft while holding the fan wheel (4) with your other hand.
- ▶ Continue screwing down the mowing head until it is securely attached.

### NOTICE

Using the trimmer with overly long trimmer line increases the load on the motor and reduces its operating speed. This may result in overheating and damage to important components.

#### 11.4.2 Removing a Mowing Head

##### Mowing head AutoCut C 6-2

To remove a AutoCut C 6-2 mowing head:

- ▶ Switch off the power tool, 14.2.
- ▶ Remove the battery, 13.2
- ▶ Position the unit so that you are facing the underside of the deflector and the drive shaft is facing upwards.
- ▶ Block the rotation of the drive shaft by holding the mowing head with your hand.
- ▶ Unscrew the mowing head by turning the cap counterclockwise.

##### Mowing head PolyCut 6-2

To remove a PolyCut 6-2 mowing head:

- ▶ Switch off the power tool, 14.2.
- ▶ Remove the battery, 13.2
- ▶ Position the unit so that you are facing the underside of the deflector and the drive shaft is facing upwards.
- ▶ Block the rotation of the drive shaft by holding the mowing head with your hand.
- ▶ Unscrew the mowing head by turning the upper part counterclockwise.

##### Mowing head DuroCut 5-2

To remove a DuroCut 5-2 mowing head:

- ▶ Switch off the power tool, 14.2.
- ▶ Remove the battery, 13.2
- ▶ Position the unit so that you are facing the underside of the deflector and the drive shaft is facing upwards.
- ▶ Block the rotation of the drive shaft by holding the fan wheel with your hand.
- ▶ Unscrew the mowing head by turning it counterclockwise.
- ▶ Remove the thrust plate.

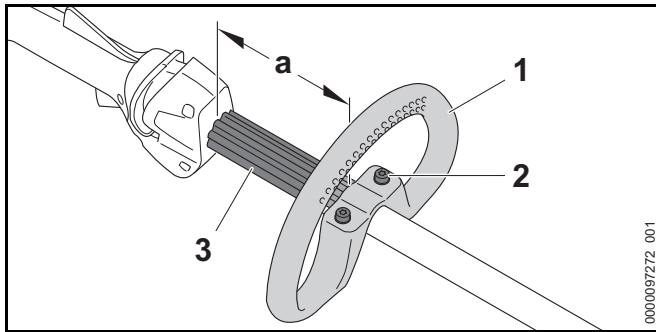
## 12 Adjusting the Trimmer

### 12.1 Adjusting the Loop Handle

The loop handle can be mounted to suit the height and reach of the operator.

To adjust the position of the loop handle:

- ▶ Switch off the power tool, 14.2.
- ▶ Remove the battery, 13.2.



- ▶ Loosen the screws (2) that attach the loop handle to the trimmer shaft.
- ▶ Slide the loop handle (1) to the desired position, subject to the following limitations:
  - Always keep the spacer (3) positioned between the loop handle and the control handle.
  - The distance marked "a" must be less than 11.8 in. (30 cm).
- ▶ Tighten the screws until the loop handle is secure and can no longer be moved along the drive tube.

## 13 Inserting and Removing the Battery

### 13.1 Inserting the Battery

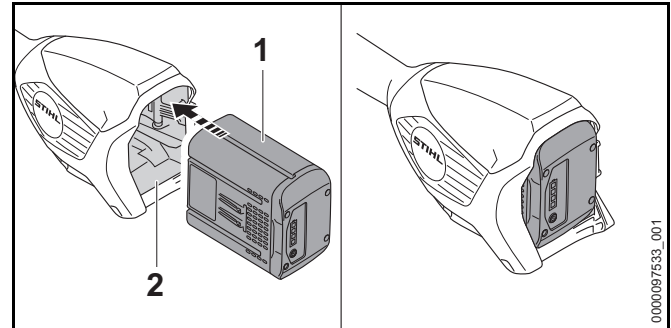
#### **⚠ WARNING**

Never use a malfunctioning, damaged, cracked, leaking or deformed battery, 6. Use and store the battery only within an ambient temperature range of 14 °F to 122 °F (- 10 °C to 50 °C), 6.

#### **⚠ WARNING**

To reduce the risk of unintended activation, never store the battery in the trimmer, 19.2.

To insert the battery:



- ▶ Place the trimmer on a level surface.
- ▶ Insert the battery (1) into the battery compartment (2) until it stops.  
The battery is properly inserted when you hear a audible click and the battery is flush with the top of the housing. In this position, there is electrical contact between the battery and the trimmer.

Since a new battery is not fully charged, STIHL recommends that you fully charge the battery before using it the first time, 9.

### 13.2 Removing the Battery

#### **⚠ WARNING**

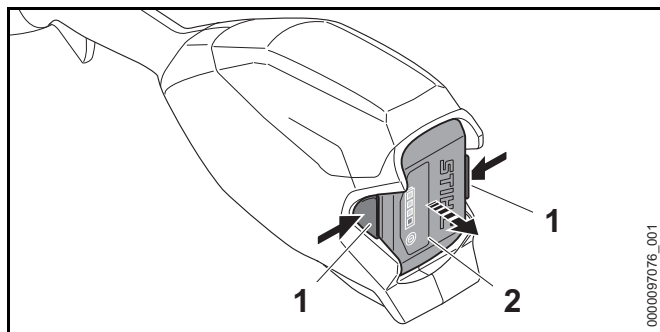
To reduce the risk of severe personal injury from unintended activation, always remove the battery before assembling, transporting, adjusting, cleaning, servicing, maintaining or storing the trimmer and any other time it is not in use.

#### **⚠ WARNING**

Use care when ejecting the battery to prevent it from falling and causing personal injury or property damage.

To remove the battery:

- ▶ Release the trigger switch.
- ▶ Place the trimmer on a level surface.
- ▶ Position your hand behind the battery.



- ▶ Compress the locking levers (1) to eject the battery (2) from the battery compartment.

### NOTICE

Avoid exposing the battery to excessive heat or prolonged periods of direct sunlight. Use or storage outside the recommended ambient temperature range can reduce the performance and/or service life of the battery.

## 14 Switching the Trimmer On and Off

### 14.1 Switching On

#### **!** WARNING

To reduce the risk of serious or fatal injuries to the operator or bystanders, keep hands, feet and other parts of the body away from the cutting attachment, 5.6.2. Do not touch the cutting attachment while the battery is inserted. Never touch the moving cutting attachment with your hand or any part of your body, 5.6.4.

#### **!** WARNING

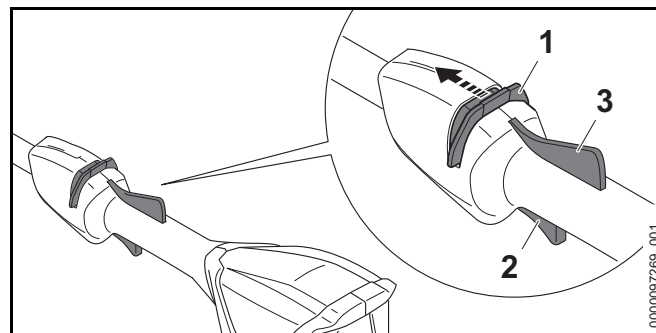
Never operate your trimmer if it is modified, damaged, improperly adjusted or maintained, not completely and securely assembled or not functioning properly, 5.5. To reduce the risk of personal injury, always wear proper clothing and protective apparel, including proper eye protection, when operating your trimmer, 5.4. To reduce

the risk of serious or fatal injury from loss of control, always hold the trimmer with both hands when you are working, 5.6.2.

Before switching on:

- ▶ Make sure other persons are out of the general work area.
- ▶ Make sure you have a secure and firm footing.
- ▶ Stand upright.
- ▶ Always hold and operate the trimmer with one hand firmly on the rear or control handle and the other hand firmly on the loop handle.

To switch the trimmer on:



- ▶ Unlock the retaining latch (1) by pushing it forward with your thumb. Hold it in this unlocked position.
- ▶ While holding the retaining latch, squeeze the trigger switch (2) with your index finger. The cutting attachment will start moving.

The motor will not switch on unless the retaining latch is pushed forward and the trigger switch is pressed at the same time. Once the trigger switch is activated, you may release the retaining latch. Holding the Ergo-Lever (3) down keeps the trigger switch unlocked.

If you release the trigger switch and Ergo-Lever, you have to unlock the tool again with the retaining latch.

## 14.2 Switching Off

### **⚠ WARNING**

The cutting attachment will continue to move for a short while after the trigger switch is released. To avoid serious or fatal injury, avoid contact with the moving cutting attachment. To reduce the risk of personal injury from unintended activation or unauthorized use, switch off the motor, ensure the cutting attachment has stopped and remove the battery before transporting or putting the trimmer down.

To switch the trimmer off:

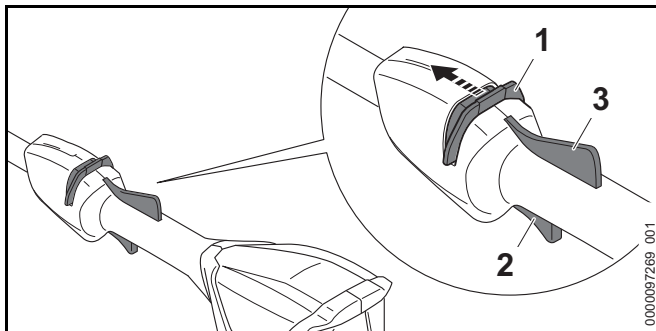
- ▶ Release the trigger switch and Ergo-Lever so that the trigger switch springs back to the locked position. In the locked position, activation of the trigger switch is once again blocked by the retaining latch.

The cutting attachment will continue to move for a short time after the trigger switch is released. Take care to avoid contact after releasing the trigger switch and when setting down the trimmer.

## 15 Checking the Trimmer


### 15.1 Testing the Controls

Before starting work, confirm that the retaining latch (1), trigger switch (2) and the Ergo-Lever (3) are undamaged and functioning properly.



### Retaining Latch (1), Trigger Switch (2) and Ergo-Lever (3)

### **⚠ WARNING**

To reduce the risk of serious or fatal injuries, keep hands, feet and other parts of the body away from the cutting attachment. Do not touch the cutting attachment while the battery is inserted. Never touch the moving cutting attachment with your hand or any part of your body,  5.6.2. Keep bystanders at least 50 ft. (15 m) away while testing the controls.

To test the controls:

- ▶ Remove the battery.
- ▶ Attempt to depress the trigger switch. If the trigger switch can be depressed without first unlocking the retaining latch, take the trimmer to an authorized STIHL servicing dealer to be repaired before use.
- ▶ Press down on the Ergo-Lever. Make sure it moves freely and springs back into place when released.
- ▶ Unlock the retaining latch by pushing it forward. When you release the retaining latch it should return to the locked position.
- ▶ Unlock the retaining latch and depress the Ergo-Lever at the same time to keep the retaining latch unlocked. When you release the retaining latch, it should remain unlocked as long as you hold down the Ergo-Lever.
- ▶ Release the retaining latch and Ergo-Lever.
- ▶ Insert the battery.
- ▶ Hold the trimmer firmly with one hand on the control handle and with the other hand firmly on the loop handle. While pushing the retaining latch forward, squeeze the trigger switch with your index finger. The trimmer should switch on. If it does not, take the trimmer to an authorized STIHL servicing dealer to be repaired before use.


- ▶ Release the trigger switch.  
The trimmer should switch off.

If the cutting attachment does not stop after you release the trigger switch, remove the battery and take the trimmer to an authorized STIHL servicing dealer to be repaired before use.





## 16 During Operation

### 16.1 Using the Trimmer

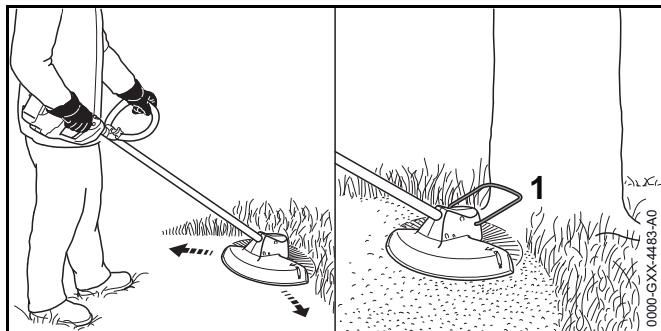
#### **⚠ WARNING**

To avoid serious or fatal injury, avoid contact with the moving cutting attachment,  5.6.4.

#### **⚠ WARNING**

To reduce the risk of personal injury, never work with the trimmer in wet or damp conditions,  5.5. Always wear proper clothing and protective apparel, including proper eye protection, when operating your trimmer,  5.4. Keep bystanders at least 50 ft. (15 m) away from the work area,  5.6.4. Work carefully and maintain proper control of the trimmer,  5.6.2.

The trimmer is designed for two-handed operation.



- ▶ Swing the trimmer back and forth carefully in a controlled arc parallel to the ground.
- ▶ Move forward slowly, keeping two hands on the trimmer at all times.

When trimming, a bump guard (1) limits the cutting range of the mowing line and helps prevent unwanted damage to vegetation in certain circumstances (see illustration). Always remove the battery before mounting or adjusting the bump guard.

Observe all applicable laws, regulations, standards and ordinances.

### 16.2 Adjusting the Nylon Line

#### **⚠ WARNING**

To reduce the risk of personal injury from unintended activation, always switch off the motor and remove the battery before manually adding or adjusting the nylon line.

- ▶ While pressing the trigger switch, tap the rotating mowing head on the ground.

Approximately 1.2 in. (30 mm) of fresh nylon line will be advanced with each tap.

The line limiting blade in the deflector trims the mowing line to the proper length.

The bump feed mechanism will not advance additional line if the mowing line is shorter than 0.1 in. (25 mm). To feed additional line manually:

- ▶ Switch off the trimmer and remove the battery.
- ▶ Depress and hold the button on the mowing head.
- ▶ Pull out the mowing line by hand.
- ▶ If the mowing line cannot be pulled out to the required length, install a new spool of line.

STIHL recommends keeping nylon line or polymer blades in a water bath for at least 12 to 24 hours before use to increase their useful life.



## 17 After Finishing Work

### 17.1 Preparing for Transportation or Storage

#### **⚠ WARNING**

To reduce the risk of personal injury from unintended activation or unauthorized use, switch off the motor, ensure the cutting attachment has stopped and remove the battery before transporting the trimmer or putting it down.

To prepare the trimmer for transportation or storage:

- ▶ Switch off the trimmer,  14.2.
- ▶ Remove the battery,  13.2.
- ▶ If the trimmer or battery became wet during operation, allow it to dry completely before charging or storing.



## 18 Transporting the Trimmer and Battery

### 18.1 Trimmer

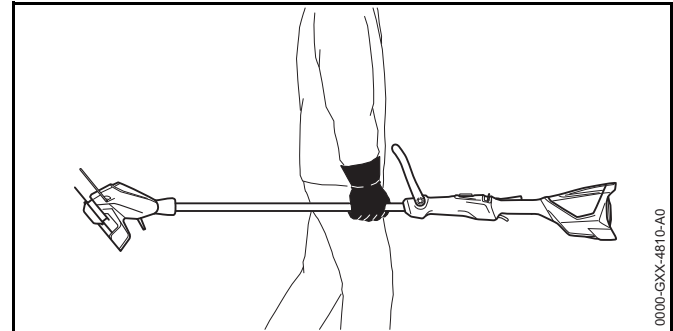
#### **⚠ WARNING**

To reduce the risk of personal injury from unintended activation, never transport the trimmer with the battery inserted.

#### **⚠ WARNING**

To reduce the risk of injury from loss of control and blade or line contact, never carry or transport your trimmer with the cutting attachment moving,  5.6.4. Ensure the cutting attachment has stopped before setting it down,  5.6.4.


When transporting the trimmer:



- ▶ When transporting the trimmer by hand, hold the drive tube in a manner that balances the trimmer horizontally. Keep the cutting attachment pointing backwards, opposite the direction in which you are walking.
- ▶ When transporting the trimmer in a vehicle, secure and position it to prevent turnover, impact and damage.

### 18.2 Battery

#### **⚠ WARNING**

To reduce the risk of a short circuit, which could lead to electric shock, fire and explosion, never transport the battery in a metal container or near metal objects (e.g., paper clips, nails, coins, keys),  6.

When transporting the battery:

- ▶ Place the battery in a non-metal container or carton and secure it against impact or damage. Never transport the battery in a metal or other container that is capable of conducting electricity, or near metal objects (e.g., paper clips, nails, coins, keys).
- ▶ If you are transporting the battery in a vehicle, secure it and its container to prevent turnover, impact and damage.

STIHL batteries comply with the requirements set forth in UN-Manual ST/SG/AC.10/11/Rev.5/Part III, Subsection 38.3.

Commercial air, vessel and ground transportation of lithium ion cells and batteries is regulated. The battery is classified as a UN 3480, Class 9, packaging group II product. Shipping it, either as a complete tool or the battery, requires compliance with all applicable shipping regulations. Check with the ground, vessel, air cargo or passenger airline to determine if transport is prohibited or subject to restrictions or exemptions prior to shipping or travel.



Normally, no further conditions have to be met by the user in order to transport STIHL batteries by road to the power tool's operating site. Check and comply with any special regulations that may apply to your situation.

For further information please go to [www.stihlusa.com/battery-transportation-safety](http://www.stihlusa.com/battery-transportation-safety).


## 19 Storing the Trimmer and Battery

### 19.1 Trimmer

#### WARNING



Store the trimmer indoors in a dry, secure place that is inaccessible to children and other unauthorized users,  5.1. Never store the battery in the trimmer. Improper storage can result in unauthorized use and damage to the trimmer,  5.1.

When storing the trimmer:



- ▶ Clean the trimmer,  20.
- ▶ Store the trimmer indoors in a dry and secure location, out of the reach of children and other unauthorized persons.

### 19.2 Battery

#### WARNING

To reduce the risk of a short circuit, which could lead to electric shock, fire and explosion, never store the battery in a metal container or near metal objects,  6. If the battery is damp or wet, allow it to dry thoroughly before storing,  6.

#### WARNING

Extreme temperatures can damage the battery and may also cause the battery to generate heat, rupture, leak, ignite or explode, resulting in severe or fatal personal injury or property damage. Use and store the battery only within an ambient temperature range of 14 °F to 122 °F (- 10 °C to 50 °C),  6. Never store the battery in direct sunlight or inside a vehicle in hot weather,  6.


To properly store the battery:

- ▶ Take the battery out of the trimmer or the charger.
- ▶ Make sure the battery is dry and store it indoors in a dry and secure location.
- ▶ Keep it out of the reach of children and other unauthorized persons.
- ▶ Protect the battery against dampness and corrosive agents such as garden chemicals and de-icing salts.
- ▶ Protect the battery from exposure to conductive liquids such as salt water.
- ▶ For maximum battery life, store the battery at an ambient temperature between 50 °F and 68 °F (10 °C and 20 °C) with a charge between 40 % and 60 % (2 green LEDs).
- ▶ Do not leave spare batteries unused. Use them in rotation.

## 20 Cleaning

### 20.1 Cleaning the Trimmer and Battery

#### WARNING

To reduce the risk of personal injury from unintended activation, remove the battery before carrying out any cleaning work,  5.1. Users of this trimmer should carry out only the cleaning described in this manual.


To clean the trimmer and battery:

- ▶ Clean the trimmer's polymer components with a slightly dampened cloth. Do not use detergents or solvents. They may damage the polymer components.
- ▶ Do not use a pressure washer to clean the trimmer or otherwise spray it with water or other liquids.
- ▶ Keep the battery housing and guides free from foreign matter and clean as necessary with a soft brush or soft, dry cloth.
- ▶ Clean the area around the fan wheel with a damp cloth or soft brush.

## 21 Inspection and Maintenance

### 21.1 Inspecting and Maintaining the Trimmer

#### **WARNING**

To reduce the risk of personal injury from unintended activation, remove the battery before inspecting the trimmer or carrying out any maintenance,  7. Carry out only the maintenance operations described in this manual. There are no user-authorized repairs. STIHL recommends that repair work be performed by authorized STIHL servicing dealers.

To properly maintain the trimmer:

- ▶ Replace a worn mowing head or deflector.
- ▶ Have worn, missing or damaged safety labels replaced by an authorized STIHL servicing dealer.








If you make a warranty claim for a component that has not been serviced or maintained properly, coverage may be denied.





## 22 Troubleshooting Guide

### 22.1 Trimmer and Battery

Always remove the battery before carrying out any inspection, cleaning or maintenance.

Condition	LEDs on Battery	Cause	Remedy
Trimmer does not start when switched on.		No electrical contact between trimmer and battery.	<ul style="list-style-type: none"> <li>▶ Remove the battery,  13.2.</li> <li>▶ Visually check the electrical contacts in the battery compartment and on the battery.</li> <li>▶ Reinsert the battery,  13.1.</li> </ul>
	1 LED flashes green.  STIHL AR Series: four long beeps are emitted (AR L - six beeps).	Battery has low charge.	<ul style="list-style-type: none"> <li>▶ Charge the battery,  9.</li> </ul>
	1 LED glows red.	Battery too hot / too cold.	<ul style="list-style-type: none"> <li>▶ Allow the battery to warm up or cool down gradually at ambient temperatures of about 50 °F to 68 °F (10 °C to 20 °C).</li> </ul>
	4 LEDs flash red.  STIHL AR Series: Additionally, a rapid succession of short beeps is emitted.	Malfunction in battery.	<ul style="list-style-type: none"> <li>▶ Remove the battery and reinsert it,  13.</li> <li>▶ Switch on the trimmer,  14.1.</li> <li>▶ If the LEDs continue to flash, do not attempt to use. The battery has a malfunction and must be replaced.</li> </ul>
	3 LEDs glow red.	Trimmer too hot.	<ul style="list-style-type: none"> <li>▶ Allow the trimmer to cool down.</li> </ul>
	3 LEDs flash red.	Malfunction in trimmer.	<ul style="list-style-type: none"> <li>▶ Remove the battery and reinsert it,  13</li> <li>▶ Switch on the trimmer,  14.1.</li> <li>▶ If the LEDs still flash, do not attempt to use. The trimmer has a malfunction and must be checked by a servicing dealer.</li> </ul>

Always remove the battery before carrying out any inspection, cleaning or maintenance.

Condition	LEDs on Battery	Cause	Remedy
Trimmer cuts out during operation.	1 LED glows red.	Battery too hot / too cold.	<ul style="list-style-type: none"> <li>▶ Remove the battery,  13.2.</li> <li>▶ Allow the trimmer and battery to cool down gradually at ambient temperatures of about 50 °F to 68 °F (10 °C to 20 °C).</li> </ul>
	3 LEDs glow red.	Trimmer too hot.	
Run-time is too short.		Battery not fully charged.	▶ Charge the battery,  9.
		Useful life of battery has been reached or exceeded.	▶ Have the battery checked by an authorized STIHL servicing dealer.
Mowing head cannot be removed by hand.		Mowing head is too tight.	<ul style="list-style-type: none"> <li>▶ Block the fan wheel with the stop pin.</li> <li>▶ Remove the mowing head by hand by turning it counterclockwise.</li> <li>▶ Remove the stop pin.</li> </ul>
Battery is not being charged even though LED on charger glows green.	1 LED glows red.	Battery too hot / too cold.	<ul style="list-style-type: none"> <li>▶ Allow the battery to warm up or cool down gradually at ambient temperatures of about 50 °F to 68 °F (10 °C to 20 °C).</li> <li>▶ Operate the charger only in enclosed, dry rooms at ambient temperatures of 41 °F to 104 °F (5 °C to 40 °C).</li> </ul>

## 23 Specifications

### 23.1 STIHL FSA 86 R

- Approved battery types:
  - STIHL AP series
  - STIHL AR series
- Weight without deflector or cutting attachment:  
7.5 lbs. (3.4 kg)
- Length: 68 in. (1725 mm)


For technical information regarding the STIHL AP and AR / AR L series batteries, see the product information accompanying your battery.

For technical information regarding the STIHL AL 101, 300 and 500 series chargers, see the product information accompanying your charger.

Batteries, chargers and other accessories sold separately. Contact your authorized STIHL servicing dealer for pricing and availability.

### 23.2 Symbols on the Trimmer and Battery

Symbol	Explanation
V	Volt
Hz	Hertz
A	Ampere
Ah	Ampere hour
W	Watt
Wh	Watt hour
AC	Alternating current
IP20	Degree of electrical protection

 Push and hold the retaining latch in this direction to unlock.



Rated speed of the cutting attachment

 Direct current




Number of cells and stored energy according to cell manufacturer's specification. Usable energy will be less.



Certification/listing mark of CSA.



STIHL products must not be disposed of in the household trash, but only in accordance with local, state and federal laws and regulations and as provided in this manual,  26.



The RBRC seal indicates that STIHL has prepaid for battery recycling.



Insulation: Class II (Double Insulation)

### 23.3 Engineering Improvements

STIHL's philosophy is to continually improve all of its products. As a result, engineering changes and improvements are made from time to time. Therefore, some changes, modifications and improvements may not be covered in this manual. If the operating characteristics or the appearance of your machine differs from those described in this manual, please contact your STIHL dealer or the STIHL distributor in your area for assistance.

### 23.4 FCC 15 Compliance Statement

This device complies with part 15 of the FCC Rules.

Operation is subject to the following two conditions:

- this device may not cause harmful interference.
- this device must accept any interference received, including interference that may cause undesired operation.

Note: This equipment has been tested and found to comply with the limits for a Class B digital device, pursuant to part 15 of the FCC Rules. These limits are designed to provide reasonable protection against harmful interference in a

residential installation. This equipment generates, uses and can radiate radio frequency energy and, if not installed and used in accordance with the instructions, may cause harmful interference to radio communications. However, there is no guarantee that interference will not occur in a particular installation.

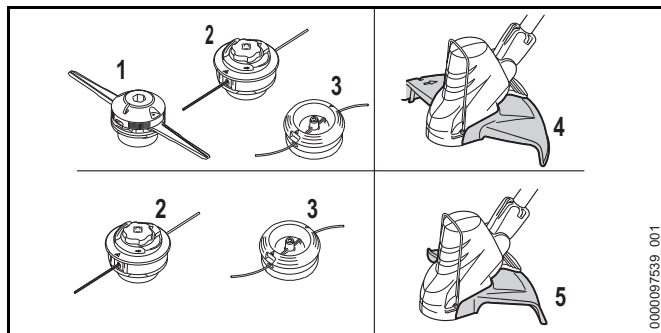
If this equipment does cause harmful interference to radio or television reception, which can be determined by turning the equipment off and on, the user is encouraged to try to correct the interference by one or more of the following measures:

- reorient or relocate the receiving antenna,
- increase the separation between the equipment and receiver,
- connect the equipment to an outlet on a circuit different from that to which the receiver is connected,
- consult an authorized STIHL servicing dealer or an experienced radio/TV technician for help.

Do not change or modify this product in any way unless specifically allowed in this manual, since this could void your authority to operate it.

## 24 Approved Deflector and Cutting Attachment Combinations

### 24.1 STIHL FSA 86 R





## 24 Approved Deflector and Cutting Attachment Combinations

The FSA 86 R is approved for use only with the following cutting attachments:

Cutting Attachments	Deflectors
<ul style="list-style-type: none"> <li>- Mowing head PolyCut 6-2 (1):                             <ul style="list-style-type: none"> <li>- Rigid Polymer Blades.</li> <li>- Nylon Trimmer Line: round line or round "quiet" line with a diameter of 0.080 in. (2.0 mm) or 0.095 in. (2.4 mm)</li> </ul> </li> <li>- Mowing head AutoCut C 6-2 (2):                             <ul style="list-style-type: none"> <li>- Nylon Trimmer Line: round line or round "quiet" line with a diameter of 0.080 in. (2.0 mm) or 0.095 in. (2.4 mm)</li> </ul> </li> <li>- Mowing head DuroCut 5-2 (3):                             <ul style="list-style-type: none"> <li>- Nylon Trimmer Line: round line or round "quiet" line with a diameter of 0.080 in. (2.0 mm) or 0.095 in. (2.4 mm)</li> </ul> </li> </ul>	<ul style="list-style-type: none"> <li>- Deflector for PolyCut, AutoCut and DuroCut mowing heads (4)</li> </ul>

Cutting Attachments	Deflectors
<ul style="list-style-type: none"> <li>– Mowing head AutoCut C 6-2 (2):               <ul style="list-style-type: none"> <li>– Nylon Trimmer Line: round line or round "quiet" line with a diameter of 0.080 in. (2.0 mm) or 0.095 in. (2.4 mm)</li> </ul> </li> <li>– Mowing head DuroCut 5-2 (3):               <ul style="list-style-type: none"> <li>– Nylon Trimmer Line: round line or round "quiet" line with a diameter of 0.080 in. (2.0 mm) or 0.095 in. (2.4 mm)</li> </ul> </li> </ul>	<ul style="list-style-type: none"> <li>– Deflector for AutoCut and DuroCut mowing heads (5)</li> </ul>

### **WARNING**


To reduce the risk of personal injury from thrown objects and contact with the cutting attachment, never operate the trimmer without the proper deflector and loop handle,  5.6.4. Ensure that the deflector and loop handle are properly mounted and adjusted at all times while working. Never use metal blades or metal-reinforced line on this trimmer,  5.6.4.

### **WARNING**

To reduce the risk of injury from loss of control and contact with the cutting attachment, make sure your unit is equipped with the proper deflector.

## 25 Replacement Parts and Equipment

### 25.1 Genuine STIHL Replacement Parts

STIHL recommends the use of genuine STIHL replacement parts. Genuine STIHL parts can be identified by the STIHL part number, the **STIHL** logo and, in some cases, by the STIHL parts symbol . The symbol may appear alone on small parts.

## 26 Disposal

### 26.1 Disposal of the Power Tool

STIHL products must not be thrown in household trash or disposed of except as outlined in this manual.

- ▶ Take the power tool, accessories and packaging to an approved disposal site for environmentally friendly recycling.
- ▶ Contact your authorized STIHL servicing dealer for the latest information on disposal and recycling.

### 26.2 Battery Recycling

#### **WARNING**

Handle discharged/depleted batteries carefully. Even if believed to be discharged, lithium ion batteries may never totally discharge and still may deliver a dangerous short circuit current. If damaged or exposed to extreme temperatures, they may leak, generate heat, catch fire or explode.

- ▶ Observe all federal, state and local disposal rules and regulations.
- ▶ Contact your authorized STIHL servicing dealer for the latest information on waste disposal.
- ▶ Recycle depleted batteries promptly.
- ▶ Keep batteries away from children. Do not disassemble and do not dispose of in fire.



STIHL is committed to the development of products that are environmentally responsible. This commitment does not stop when the product leaves the authorized STIHL servicing dealer. STIHL has partnered with the RBRC (Rechargeable Battery Recycling Corporation) to promote the collection and recycling of spent STIHL lithium ion batteries in the United States and Canada.

The RBRC seal indicates that STIHL has prepaid for battery recycling. RBRC has a toll free phone number (1-800-822-8837) that connects you to information on battery recycling locations and information on battery disposal bans or restrictions in your area. You can also return your spent battery to any authorized STIHL servicing dealer for recycling free of charge.

## 27 Limited Warranty

### 27.1 STIHL Incorporated Limited Warranty Policy

This product is sold subject to the STIHL Incorporated Limited Warranty Policy, available at [www.stihlusa.com/warranty.html](http://www.stihlusa.com/warranty.html). It can also be obtained from your authorized STIHL dealer or by calling 1-800-GO-STIHL (1-800-467-8445).

## 28 Trademarks

### 28.1 Registered Trademarks

STIHL®

**STIHL**®



The color combination orange-grey (U.S. Registrations #2,821,860; #3,010,057, #3,010,058, #3,400,477; and #3,400,476)

FARM BOSS®

iCademy®

MAGNUM®

MasterWrench Service®

MotoMix®

OILOMATIC®

ROCK BOSS®

STIHL Cutquik®

AutoCut®

YARD BOSS®

STIHL ROLLOMATIC®

WOOD BOSS®



STIHL DUROMATIC®

STIHL Quickstop®

STIHL WOOD BOSS®

TIMBERSPORTS®



### 28.2 Common Law Trademarks

4-MIX™	HT Plus™
BioPlus™	STIHL PowerSweep™
Easy2Start™	STIHL Protec™
EasySpool™	STIHL MiniBoss™
ElastoStart™	STIHL MotoPlus 4™
Ematic™	Master Control Lever™
STIHL Precision Series™	STIHL OUTFITTERS™
FixCut™	STIHL PICCO™
Micro™	TrimCut™
Pro Mark™	STIHL M-Tronic™
Quad Power™	STIHL HomeScaper Series™
Quiet Line™	STIHL PolyCut™
STIHL Arctic™	STIHL RAPID™
STIHL Compact™	STIHL SuperCut™
STIHL Interchangeable Attachment Series™	STIHL Multi-Cut HomeScaper Series™
TapAction™	STIHL Territory™
	

This listing of trademarks is subject to change.

Any unauthorized use of these trademarks without the express written consent of ANDREAS STIHL AG & Co. KG, Waiblingen is strictly prohibited.

## 29 Addresses

### 29.1 STIHL Incorporated

STIHL Incorporated  
536 Viking Drive  
P.O. Box 2015  
Virginia Beach, VA  
23452-2015

## Contenido

<b>1</b>	<b>Introducción</b> .....	<b>39</b>	10.2	Batería de mochila STIHL AR.....	58
<b>2</b>	<b>Acerca de este manual de instrucciones</b> .....	<b>39</b>	<b>11</b>	<b>Armado de la motoguadaña</b> .....	<b>59</b>
2.1	Palabras identificadoras.....	39	11.1	Montaje del mango circular.....	59
2.2	Símbolos en el texto.....	40	11.2	Montaje del protector contra golpes.....	60
<b>3</b>	<b>Componentes importantes</b> .....	<b>40</b>	11.3	Instalación y retiro de un deflector.....	60
3.1	Motoguadaña y batería.....	40	11.4	Montaje y retiro de una cabeza segadora.....	61
3.2	Cabeza segadora, accesorios de corte y deflector.....	41	<b>12</b>	<b>Ajuste de la motoguadaña</b> .....	<b>63</b>
<b>4</b>	<b>Símbolos de seguridad en los productos</b> .....	<b>41</b>	12.1	Ajuste del mango circular.....	63
4.1	Motoguadaña.....	41	<b>13</b>	<b>Colocación y extracción de la batería</b> .....	<b>63</b>
4.2	Batería.....	42	13.1	Colocación de la batería.....	63
4.3	Deflectores para cabezas segadoras.....	42	13.2	Extracción de la batería.....	64
<b>5</b>	<b>INSTRUCCIONES IMPORTANTES DE SEGURIDAD</b> .....	<b>43</b>	<b>14</b>	<b>Encendido y apagado de la motoguadaña</b> .....	<b>64</b>
5.1	Advertencias e instrucciones de seguridad generales.....	43	14.1	Encendido.....	64
5.2	Uso previsto.....	44	14.2	Apagado.....	65
5.3	Operador.....	44	<b>15</b>	<b>Revisión de la motoguadaña</b> .....	<b>65</b>
5.4	Equipos de protección personal.....	44	15.1	Prueba de los controles.....	65
5.5	Motoguadaña.....	45	<b>16</b>	<b>Durante el funcionamiento</b> .....	<b>66</b>
5.6	Uso de la motoguadaña.....	47	16.1	Uso de la motoguadaña.....	66
<b>6</b>	<b>Seguridad de la batería</b> .....	<b>52</b>	16.2	Ajuste del hilo de nilón.....	67
6.1	Advertencias e instrucciones.....	52	<b>17</b>	<b>Después de completar el trabajo</b> .....	<b>67</b>
<b>7</b>	<b>Mantenimiento, reparación y almacenamiento</b> .....	<b>54</b>	17.1	Preparación para el transporte o el almacenamiento.....	67
7.1	Advertencias e instrucciones.....	54	<b>18</b>	<b>Transporte de la motoguadaña y de la batería</b> .....	<b>67</b>
<b>8</b>	<b>Antes de empezar a trabajar</b> .....	<b>55</b>	18.1	Motoguadaña.....	67
8.1	Preparación de la motoguadaña para el funcionamiento.....	55	18.2	Batería.....	68
<b>9</b>	<b>Carga de la batería</b> .....	<b>55</b>	<b>19</b>	<b>Almacenamiento de la motoguadaña y de la batería</b> .....	<b>68</b>
9.1	Preparación del cargador para el funcionamiento.....	55	19.1	Motoguadaña.....	68
9.2	Carga.....	56	19.2	Batería.....	69
<b>10</b>	<b>Diagnóstico por LED y señales acústicas</b> .....	<b>57</b>	<b>20</b>	<b>Limpieza</b> .....	<b>69</b>
10.1	Batería AP de STIHL.....	57	20.1	Limpieza de la motoguadaña y de la batería.....	69
			<b>21</b>	<b>Inspección y mantenimiento</b> .....	<b>69</b>

# STIHL

Este manual de instrucciones está protegido por derechos de propiedad intelectual. Todos los derechos reservados, especialmente los derechos de reproducción, traducción y procesamiento con sistemas electrónicos.



21.1 Inspección y mantenimiento de la motoguadaña.....	69
<b>22 Guía de solución de problemas.....</b>	<b>71</b>
22.1 Motoguadaña y batería.....	71
<b>23 Especificaciones.....</b>	<b>73</b>
23.1 STIHL FSA 86 R.....	73
23.2 Símbolos de la motoguadaña y de la batería.....	73
23.3 Mejoramientos técnicos.....	73
23.4 Declaración de cumplimiento con norma FCC 15.....	73
<b>24 Combinaciones aprobadas de deflectores y accesorios de corte.....</b>	<b>74</b>
24.1 STIHL FSA 86 R.....	74
<b>25 Piezas y equipos de repuesto.....</b>	<b>76</b>
25.1 Piezas de repuesto originales de STIHL.....	76
<b>26 Eliminación.....</b>	<b>76</b>
26.1 Desecho de la herramienta motorizada.....	76
26.2 Reciclado de las baterías.....	76
<b>27 Garantía limitada.....</b>	<b>76</b>
27.1 Política de garantía limitada de STIHL Incorporated.....	76
<b>28 Marcas comerciales.....</b>	<b>76</b>
28.1 Marcas comerciales registradas.....	76
28.2 Marcas comerciales por ley común.....	77
<b>29 Direcciones.....</b>	<b>77</b>
29.1 STIHL Incorporated.....	77

## 1 Introducción

Gracias por su compra. La información que contiene este manual lo ayudará a obtener el máximo rendimiento y satisfacción de la motoguadaña, y a reducir el riesgo de lesiones que supone su uso, si dicha información se respeta.

### ¡CONSERVE ESTE MANUAL!



Dado que la motoguadaña es una herramienta de corte de gran velocidad, es necesario tomar medidas especiales de seguridad para reducir el riesgo de lesiones.



Lea este manual de instrucciones detenidamente antes del uso y periódicamente de allí en adelante. Aténgase a todas las instrucciones de seguridad. El uso descuidado o inadecuado de la motoguadaña puede causar lesiones graves o mortales.

Pida a su concesionario de servicio STIHL autorizado que le enseñe el manejo de la herramienta motorizada.

No preste ni alquile nunca su motoguadaña sin el manual de instrucciones. Solamente las personas que comprenden la información de este manual por completo deberán manejar la motoguadaña.

Para obtener más información, o si no comprende alguna de las instrucciones incluidas en este manual, visite [www.stihlusa.com](http://www.stihlusa.com) (para Canadá: [www.stihl.ca](http://www.stihl.ca)) o comuníquese con un concesionario de servicio STIHL autorizado.

## 2 Acerca de este manual de instrucciones

### 2.1 Palabras identificadoras

Este manual contiene información sobre seguridad a la que usted debe prestar atención especial. Dicha información se indica con los siguientes símbolos y palabras identificadoras:

**⚠ PELIGRO**

Identifica una situación de peligro que, de no evitarse, causará lesiones graves o mortales.

**⚠ ADVERTENCIA**


Identifica una situación de peligro que, de no evitarse, podría causar lesiones graves o mortales.

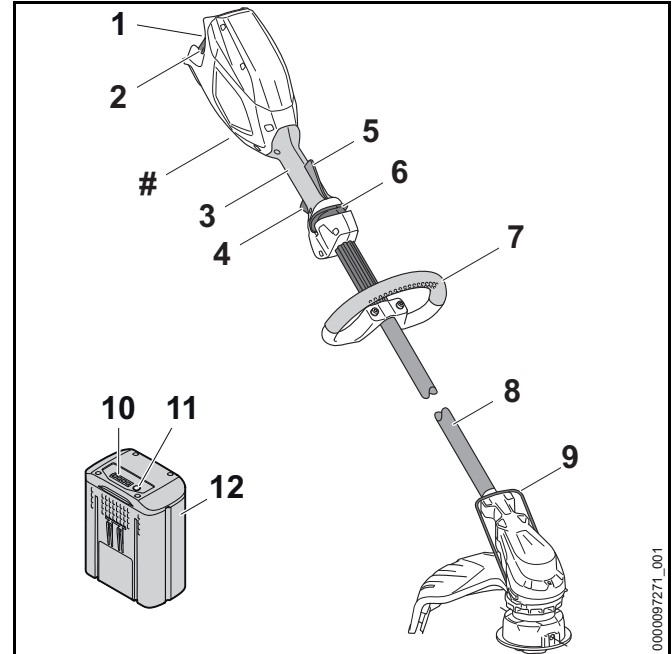
**INDICACIÓN**

Indica el riesgo de daños a la propiedad, incluidos la máquina o sus componentes.

**2.2 Símbolos en el texto**

El siguiente símbolo tiene como finalidad ayudarlo a utilizar este manual.

 Hace referencia a un capítulo o subcapítulo designado en este manual de instrucciones.

**3 Componentes importantes****3.1 Motoguadaña y batería****1 Compartimiento de la batería**

Espacio en que se coloca la batería.

**2 Palanca de bloqueo**

Asegura la batería en el compartimiento de la batería.

**3 Mango de control**

Mango para la mano trasera del operador.

**4 Gatillo**

Enciende y apaga el motor.

**5 Palanca Ergo**

Mantiene el pestillo de retención en la posición "desbloqueado".

**6 Pestillo de retención**

Boquea/desbloquea el gatillo.

**7 Mango circular**

Mango para la mano delantera del operador.

**8 Tubo de mando**

Eje de la motoguadaña.

**9 Protector contra golpes**

Limita el radio de corte de la cabeza segadora.

**10 LED de la batería**

Indican el estado de carga de la batería y muestran mensajes de error sobre posibles fallos de funcionamiento de la batería o de la herramienta motorizada.

**11 Pulsador**

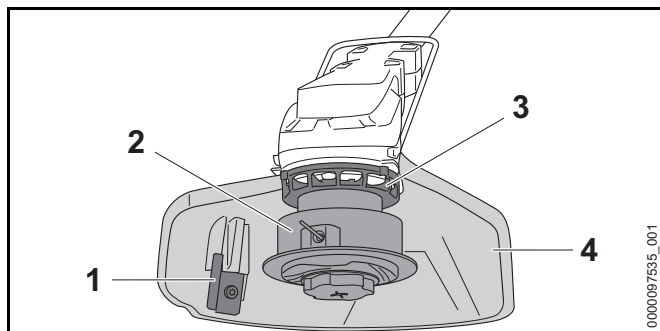
Activa los LED de la batería.

**12 Batería**

Suministra energía eléctrica al motor.

**# Placa de características**

Contiene los datos eléctricos y el número de serie del producto.

**3.2 Cabeza segadora, accesorios de corte y deflector****1 Cuchilla limitadora del hilo**

Cuchilla metálica colocada en el deflector que corta el hilo de nilón a la longitud adecuada.

**2 Cabeza segadora**

Cabeza segadora para montar el accesorio de corte.

**3 Rueda de ventilador**

Diseñada para enfriar el motor eléctrico.

**4 Deflector**

Diseñado para reducir el riesgo de lesiones causadas por objetos lanzados y por contacto con el accesorio de corte.

La FSA 86 R se vende con una cabeza segadora AutoCut y con un deflector adecuado. Se ofrecen otros artículos como accesorios.

**4 Símbolos de seguridad en los productos****4.1 Motoguadaña**

Los siguientes símbolos de seguridad se pueden ver en la motoguadaña:



Para reducir el riesgo de lesiones, respete las medidas de seguridad especificadas.



Lea y respete todas las medidas de seguridad que se dan en el manual de instrucciones. Un uso inadecuado puede provocar lesiones graves o mortales, o daños materiales.



Para reducir el riesgo de lesionarse los ojos, use siempre gafas protectoras adecuadas, 5.4.



Para reducir el riesgo de lesiones causadas por objetos que salen despedidos, revise la zona de trabajo y retire piedras, vidrio, objetos metálicos y cualquier otro objeto que pudiera ser lanzado por el accesorio de corte. 5.6.4.



Para reducir el riesgo de lesiones provocadas por objetos que salen despedidos, asegúrese de que las personas de los alrededores se mantienen a una distancia de, como mínimo, 50 pies (15 m), 5.6.4.



Para reducir el riesgo de que se produzcan lesiones y daños materiales a consecuencia de una activación accidental, quite la batería siempre que la motoguadaña no esté en uso, 16.1.

## 4.2 Batería

Los símbolos de seguridad siguientes se encuentran en la batería de mochila serie AR y en la batería serie AP.



Para reducir el riesgo de lesiones, respete las medidas de seguridad especificadas.



Lea y respete todas las precauciones de seguridad dadas en el manual de instrucciones de la batería y en el manual de la herramienta STIHL que utiliza esta batería. El uso inadecuado puede provocar lesiones personales graves o mortales o daños a la propiedad.



Para reducir el riesgo de lesiones personales o daños a la propiedad debido a incendios, explosiones o quemaduras, incluidas las quemaduras químicas, no desarme, aplaste, deje caer, dañe o caliente la unidad a más de 100°C (212°F). Nunca la exponga al fuego ni la incinere, 6.



Para reducir el riesgo de lesiones personales o daños a la propiedad debido a un incendio, use y almacene la batería solo dentro de un rango de temperatura ambiente de -10°C a 50°C (14°F a 122°F), 6.

## Baterías tipo mochila AR 900, 1000, 2000, 3000



Para reducir el riesgo de lesiones personales o daños a la propiedad causados por un cortocircuito, un incendio o una explosión, mantenga la unidad seca. Protéjala contra la lluvia, el agua y las condiciones húmedas. Nunca la sumerja en agua u otros líquidos, 6.

## Baterías tipo mochila AR L



Para reducir el riesgo de lesiones personales o daños a la propiedad causados por un cortocircuito, un incendio o una explosión, mantenga la unidad seca. Nunca la sumerja en agua u otros líquidos, 6.

## Baterías serie AP



Para reducir el riesgo de lesiones personales o daños a la propiedad causados por un cortocircuito, un incendio o una explosión, mantenga la unidad seca. Nunca la sumerja en agua u otros líquidos, 6.

Las baterías se venden por separado.

## 4.3 Deflectores para cabezas segadoras

En los deflectores diseñados para usarse con cabezas segadoras se pueden ver los siguientes símbolos:



El deflector se puede usar en combinación con las cabezas segadoras AutoCut y DuroCut.

**Deflector para cabezas segadoras AutoCut y PolyCut**

El deflector se puede usar en combinación con las cabezas segadoras AutoCut, PolyCut y DuroCut.

**Deflector para cabeza segadora AutoCut**

El deflector no se puede usar en combinación con la cabeza segadora PolyCut.

## 5 INSTRUCCIONES IMPORTANTES DE SEGURIDAD

### 5.1 Advertencias e instrucciones de seguridad generales

Esta sección contiene las advertencias e instrucciones de seguridad generales prescritas para motoguadañas eléctricas manuales motorizadas. En secciones posteriores de este manual se proporcionan otras advertencias e instrucciones importantes.

### **▲ ADVERTENCIA**

- Para reducir el riesgo de incendios, choques eléctricos y lesiones, cuando use motoguadañas eléctricas, siempre siga las precauciones de seguridad básicas, entre las que se incluyen las siguientes:

#### **LEA TODAS LAS INSTRUCCIONES ANTES DE USAR LA MOTOGUADAÑA**

- 1) Evite los entornos peligrosos: no utilice motoguadañas en lugares húmedos ni mojados.
- 2) No use la máquina bajo la lluvia.

- 3) Mantenga alejados a los niños. Todas las demás personas deben mantenerse a una distancia prudencial de la zona de trabajo.
- 4) Use vestimenta apropiada: no lleve ropa suelta ni joyas. Podrían quedar atrapadas en las piezas en movimiento. Use guantes de trabajo gruesos (por ejemplo, de cuero o de otro material resistente al desgaste) y calzado resistente cuando trabaje a la intemperie. Si tiene el pelo largo, cúbrase con una protección adecuada.
- 5) Use gafas de seguridad. Siempre utilice una máscara o mascarilla contra el polvo cuando trabaje en un lugar polvoriento.
- 6) Utilice la herramienta apropiada para el trabajo. No use una herramienta con fines distintos de los previstos para ella.
- 7) Evite los arranques accidentales: no transporte la motoguadaña con el dedo sobre el gatillo. Asegúrese de que la motoguadaña está apagada cuando inserte la batería.
- 8) No fuerce la motoguadaña: funciona mejor y con menos riesgo de lesiones si se usa a la velocidad para la que fue diseñada.
- 9) No extienda los brazos más allá de lo necesario: mantenga el equilibrio y los pies bien apoyados en todo momento.
- 10) Permanezca alerta: preste atención a lo que está haciendo. Aplique el sentido común. No maneje la motoguadaña cuando esté cansado.
- 11) Guarde la motoguadaña bajo techo: cuando no utilice la motoguadaña, guárdela bajo techo, en un lugar seco y bajo llave, fuera del alcance de los niños y sin la batería.
- 12) Cuide la motoguadaña: mantenga el accesorio de corte limpio para obtener el mejor rendimiento y para reducir el riesgo de lesiones. A la hora de sustituir accesorios, siga las instrucciones correspondientes. Mantenga los mangos secos, limpios y libres de aceite y grasa.
- 13) Revise las piezas dañadas: antes de seguir usando la motoguadaña, revise minuciosamente el protector o cualquier otra pieza que esté dañada para verificar que funcionarán correctamente y que cumplirán la función

para la que están previstas. Compruebe la alineación de las piezas móviles y si estas tienen agarrotamiento; si hay piezas rotas, el montaje de las piezas y toda condición que pueda afectar su funcionamiento. Si un protector u otra pieza tiene daños, deberá sustituirse o repararse debidamente en un centro de servicio autorizado, salvo que en este manual se indique lo contrario.

14) Mantenga los protectores en su lugar y en buenas condiciones.

15) Mantenga las manos y los pies alejados de la zona de corte y del accesorio de corte.

## GUARDE ESTAS INSTRUCCIONES

### 5.2 Uso previsto

#### ADVERTENCIA

- Esta motoguadaña está diseñada para cortar pasto y materiales similares en el entorno doméstico. El uso de la motoguadaña para trabajos para los que no ha sido diseñada puede causar lesiones graves o mortales.
  - Use la motoguadaña solo para llevar a cabo trabajos de corte livianos en el jardín y en el entorno doméstico.
  - Corte únicamente pasto y materiales similares. No use la motoguadaña para cortar maleza, matas, arbustos ni otro tipo de vegetación densa.
- Un uso indebido puede provocar lesiones o daños materiales, incluidos daños en la motoguadaña.
  - Use la motoguadaña y la batería solo como se describe en este manual.
  - Nunca intente modificar ni anular los controles ni los dispositivos de seguridad de la motoguadaña en modo alguno.
  - Nunca utilice una motoguadaña cuyo diseño original se haya modificado o alterado.

- Esta herramienta motorizada se puede alimentar con una batería de la gama STIHL AP. Como alternativa, puede recibir alimentación de una batería tipo mochila de la gama STIHL AR en combinación con un adaptador AP.

Las baterías, los cargadores y otros accesorios se venden por separado.

### 5.3 Operador

#### ADVERTENCIA

- El uso de la motoguadaña puede ser extenuante. El operador debe hallarse en buenas condiciones tanto físicas como mentales. Para reducir el riesgo de lesiones personales causadas por fatiga o pérdida del control:
  - Consulte a su médico antes de usar la motoguadaña si tiene una afección de salud que pueda agravarse por el trabajo extenuante.
  - No haga funcionar la motoguadaña si se encuentra bajo la influencia de cualquier sustancia (drogas, alcohol, medicamentos, etc.) que puedan afectar la visión, el equilibrio, la destreza o el juicio.
  - Esté alerta. No maneje la motoguadaña cuando está cansado. Tómese un descanso si se siente cansado.
  - No permita que los niños usen la motoguadaña.
- De acuerdo con los conocimientos actuales de STIHL, el motor eléctrico de la motoguadaña no debe interferir con marcapasos.
  - Sin embargo, las personas con marcapasos u otro dispositivo médico implantado deben consultar a su médico y al fabricante del dispositivo antes de utilizar esta motoguadaña.

### 5.4 Equipos de protección personal

#### ADVERTENCIA

- Incluso un deflector debidamente instalado y ajustado puede no proteger al operador de todos los objetos extraños que salen despedidos al entrar en contacto con

el accesorio de corte. Los objetos arrojados o lanzados por el accesorio también pueden rebotar y golpear al operador. Para reducir el riesgo de lesiones:

- Siempre use ropa adecuada y equipos de protección, incluidas gafas de seguridad adecuadas.
- Si el cabello, la ropa o los equipos de protección entran en contacto con el accesorio de corte en movimiento o se enredan en los componentes de la motoguadaña, se podría perder el control sobre la máquina, y se podrían producir lesiones cortantes graves. Para reducir el riesgo de lesiones graves:



- Use ropa resistente y ajustada que le permita moverse con completa libertad.
- Use monos o pantalones largos hechos de un material grueso para protegerse las piernas. No lleve pantalones cortos.

- Evite el uso de chaquetas sueltas, bufandas, corbatas, pantalones acampanados o con vueltas, joyas o cualquier prenda o complemento que pueda engancharse en ramas, matorrales o en el accesorio de corte en movimiento.
- Sujétese el cabello por encima de los hombros antes de empezar a trabajar.

- Para reducir el riesgo de sufrir lesiones oculares:



- Siempre utilice gafas o anteojos protectores bien ajustados que tengan protecciones laterales adecuadas, sean resistentes a los impactos y porten designaciones que indiquen que cumplen la norma ANSI Z87 "+".
- Si existe el riesgo de lesionarse el rostro, STIHL recomienda usar también una careta o protector facial adecuado sobre las gafas o los anteojos de seguridad.
- Lleve un casco protector homologado si hay riesgo de que se lesione la cabeza.

- Es muy importante que mantenga los pies bien apoyados en todo momento. Como ayuda para mantener los pies apoyados de forma segura y para reducir el riesgo de lesiones durante el trabajo:



- Lleve un calzado resistente con suela antideslizante. Nunca use sandalias, chanclas, zapatos que dejen los dedos al descubierto ni calzado similar.

- Para mejorar el agarre y para proteger mejor sus manos:





- Siempre use guantes gruesos y antideslizantes de cuero o de otro material resistente al desgaste para manipular la motoguadaña.

## 5.5 Motoguadaña

### ⚠ ADVERTENCIA

- Para reducir el riesgo de descarga eléctrica:
  - No exponga la herramienta motorizada al agua ni a una humedad excesiva.
  - Guarde la motoguadaña bajo techo.
- Si el accesorio de corte en movimiento llega a tener contacto con su persona, le provocará laceraciones graves. Para reducir el riesgo de que se produzcan este tipo de lesiones:
  - Mantenga las manos, los pies y cualquier otra parte de su cuerpo lejos del accesorio de corte.
  - Nunca toque con las manos ni con ninguna parte del cuerpo el accesorio de corte en movimiento.
  - Nunca ponga la motoguadaña en funcionamiento si el deflector está dañado o no se ha montado.
- Para reducir el riesgo de que el operador o terceras personas sufran lesiones provocadas por contacto con la cuchilla, con el hilo o con objetos que salen despedidos:




- Asegúrese de que su máquina está equipada con el deflector adecuado para el tipo de accesorio de corte que está utilizando. Mantenga el deflector ajustado correctamente en todo momento.
- Para usar algunos accesorios de corte tendrá que cambiar el deflector. Consulte el capítulo  24.1 de este manual para ver las configuraciones aprobadas de accesorio de corte y deflector.
- Esta motoguadaña a batería está diseñada solo para llevar a cabo trabajos de mantenimiento livianos en el jardín y en el entorno doméstico. Su uso para otros fines puede aumentar el riesgo de lesiones y de daños materiales.
  - Corte únicamente pasto y materiales similares. No use la motoguadaña para cortar maleza, matas, arbustos ni otro tipo de vegetación densa.
  - Lea y respete las instrucciones de manejo de este manual para conocer las aplicaciones aprobadas,  16.
- Para reducir el riesgo de que el operador o las personas que se encuentran cerca sufran lesiones:



- Siempre suelte el gatillo y retire la batería antes de armar, transportar, ajustar, inspeccionar, limpiar, reparar, mantener o guardar la motoguadaña, y en cualquier momento en que no se esté usando.
- Nunca deje la herramienta motorizada desatendida si está colocada la batería.
- Si bien es posible montar ciertos accesorios no autorizados en su motoguadaña STIHL, su uso puede ser extremadamente peligroso. Le recomendamos que utilice

únicamente accesorios suministrados por STIHL o expresamente autorizados por STIHL para el uso con este modelo específico.

- Use solo accesorios suministrados o expresamente aprobados por STIHL.
- Nunca intente montar ni usar una cuchilla metálica en esta motoguadaña.
- Nunca modifique esta motoguadaña en modo alguno.
- Nunca intente modificar ni anular los controles ni los dispositivos de seguridad de la motoguadaña en modo alguno.
- Nunca utilice una motoguadaña cuyo diseño original se haya modificado o alterado.
- Si la motoguadaña se cae o se expone a impactos fuertes similares a los de una caída:
  - Asegúrese de que no se ha dañado, de que está en buenas condiciones y de que funciona correctamente antes de reanudar el trabajo.
  - Compruebe si los controles y los dispositivos de seguridad funcionan correctamente.
  - Compruebe si los LED de la batería emiten algún mensaje de error,  22.
  - Asegúrese de que la batería no se ha dañado. Nunca use ni cargue una batería que no funcione correctamente, que esté dañada, agrietada, deformada o pierda líquido.
  - Nunca trabaje con una motoguadaña que esté dañada o que no funcione correctamente. Si tiene dudas, encargue a su concesionario de servicio de STIHL autorizado que revise la motoguadaña.
- Si la motoguadaña o la batería están dañadas, no funcionan correctamente, se han dejado a la intemperie o han caído en agua o en otro líquido, sus componentes





podrían no funcionar debidamente y los dispositivos de seguridad podrían haber quedado inoperantes. Para reducir el riesgo de lesiones y de daños materiales:

- Lleve la motoguadaña y la batería a su concesionario de servicio de STIHL autorizado para que las revisen antes de volver a utilizarlas.
- Las piezas de repuesto auténticas de STIHL están diseñadas específicamente para su modelo de motoguadaña, y satisfacen las necesidades de rendimiento y seguridad correspondientes. El uso de piezas no autorizadas o no aprobadas por STIHL puede provocar lesiones graves o mortales, así como daños materiales.
  - STIHL recomienda utilizar únicamente repuestos de STIHL idénticos a las piezas originales.

## 5.6 Uso de la motoguadaña


### 5.6.1 Antes de usar

# ADVERTENCIA


- Un uso inadecuado o no autorizado puede causar lesiones y daños materiales.
  - Use la motoguadaña solo como se describe en este manual de instrucciones.
- Para instalar correctamente el accesorio de corte, el deflector y el mango:
  - Lea y siga las instrucciones de montaje del accesorio de corte, del deflector y del mango,  11.
- El accesorio de corte y el deflector deben formar una combinación aprobada. Antes de cambiarlos:
  - Lea y siga las instrucciones sobre cómo seleccionar el accesorio de corte y el deflector correctos,  24.1.
- El accesorio de corte debe instalarse y ajustarse correctamente antes de empezar a trabajar. Si no se utilizan las piezas correctas para montar el accesorio de

corte, la cabeza se puede desprender y provocar lesiones graves al operador o a las personas que encuentren en los alrededores.

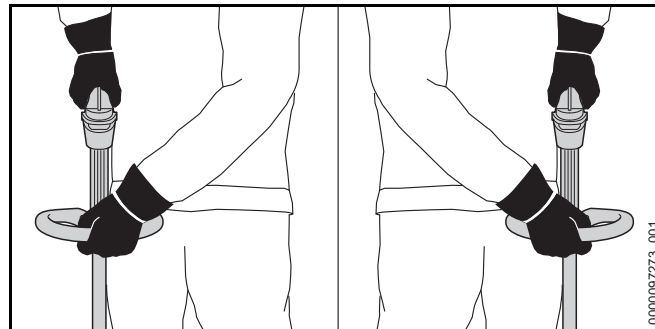
- Nunca monte un accesorio de corte en la motoguadaña si no ha instalado antes correctamente todas las piezas necesarias (p. ej., tuercas, tornillos, arandelas de empuje, placa de empuje, etc.).
- Antes de comenzar el trabajo, compruebe si hay piezas sueltas (tuercas, tornillos, etc.), o cabezas agrietadas o dañadas.
- Si alguna cabeza está dañada o muy gastada, sustitúyala antes de usar la herramienta motorizada.
- Utilizar únicamente la combinación de accesorio de corte y deflector aprobada es extremadamente importante para garantizar el máximo desempeño de corte y para reducir el riesgo de lesiones causadas por objetos que salen despedidos o por contacto con el accesorio de corte.
  - Para reducir el riesgo de lesiones graves, nunca use un hilo de alambre o reforzado con metal ni ningún otro material en lugar del hilo de corte de nilón recomendado. Podrían desprenderse pedazos de alambre, que podrían salir despedidos a gran velocidad contra el operador o contra otras personas.
- Usar una motoguadaña que se ha modificado, que presenta daños, está mal ajustada o no se ha montado por completo y de forma segura puede provocar una avería y aumentar el riesgo de que se produzcan lesiones personales graves o mortales.
  - Nunca use una motoguadaña que esté modificada, dañada o mal mantenida, o que no se haya montado de forma completa y segura.
  - Siempre compruebe si su motoguadaña está en buenas condiciones y si funciona correctamente. Preste especial atención al pestillo de retención, a la palanca Ergo, al gatillo, al deflector y al accesorio de corte.

- Asegúrese de que el pestillo de retención, la palanca Ergo y el gatillo se mueven libremente y de que regresan a su lugar cuando los suelta. El gatillo no debe poder oprimirse si no se ha desbloqueado el pestillo de retención.
  - Nunca intente modificar ni anular los controles ni los dispositivos de seguridad.
  - El accesorio de corte debe reaccionar únicamente cuando está colocada la batería, se ha desbloqueado el pestillo de retención y se han oprimido la palanca Ergo y el gatillo.
  - Si la motoguadaña o cualquiera de sus piezas está dañada o no funciona correctamente, llévela a un concesionario de servicio STIHL autorizado. No use la motoguadaña hasta que el problema se haya solucionado.
- Antes de colocar la batería:
- Compruebe si hay corrosión o materias extrañas de otro tipo en los contactos eléctricos del compartimiento de la batería; mantenga los contactos limpios.
  - Nunca inserte ni use una batería que esté defectuosa, dañada, agrietada o deformada, o que pierda líquido.
  - Lea y siga las instrucciones de encendido de la motoguadaña,  14.1.
- Para reducir el riesgo de lesiones graves o mortales provocadas por un arranque accidental:
- Asegúrese de que el pestillo de retención está en la posición de bloqueo antes de colocar la batería.
  - Nunca sostenga la motoguadaña con el dedo en el gatillo.
  - Suelte el gatillo antes de quitar la batería.



- Quite la batería antes de armar, transportar, ajustar, inspeccionar, limpiar, mantener o guardar la motoguadaña, y siempre que no esté en uso.
  - Nunca deje la motoguadaña desatendida si tiene la batería colocada.
  - Nunca guarde la batería en la motoguadaña.
- Antes de encender su motoguadaña, dé los pasos que figuran a continuación para reducir el riesgo de lesiones causadas por objetos que salen despedidos, por la pérdida del control sobre la máquina o por contacto accidental con el accesorio de corte:
- Asegúrese de mantener el accesorio de corte alejado de su cuerpo y de otros obstáculos y objetos, incluido el suelo.
  - Lea y siga las instrucciones de encendido de la motoguadaña,  14.1.

### 5.6.2 Sujeción y control de la motoguadaña



## **⚠ ADVERTENCIA**

- Para sujetar con firmeza y controlar correctamente la motoguadaña:
  - Mantenga los mangos limpios y secos en todo momento. Protéjalos de la humedad, del alquitrán, del aceite, de la grasa y de la resina.
- Para reducir el riesgo de perder el control y sufrir lesiones graves o mortales, o provocárselas a las personas que se encuentran cerca:
  - Sujete la motoguadaña siempre firmemente con las dos manos mientras trabaja.
  - Agarre firmemente los mangos con todos los dedos, manteniéndolos apoyados entre los dedos índice y pulgar (vea la ilustración).
  - Coloque la motoguadaña en una posición en la que todas las partes de su cuerpo queden lejos del accesorio de corte siempre que esté colocada la batería.
- Si se trabaja con el accesorio de corte sobre el nivel del suelo o en perpendicular al suelo, aumenta el riesgo de lesiones causadas por objetos que salen despedidos. Además, el accesorio de corte queda más expuesto y la motoguadaña resulta más difícil de controlar, lo que aumenta el riesgo de lesiones. Para reducir el riesgo de lesiones graves o mortales causadas por la pérdida del control sobre la máquina o por objetos lanzados durante el uso de la motoguadaña:
  - Mantenga el accesorio de corte a nivel del suelo, en paralelo al mismo.
- Para reducir el riesgo de que el operador o las personas que se encuentran en los alrededores sufran cortes graves o mortales causados por contacto con el accesorio de corte:



- Mantenga las manos, los pies y cualquier otra parte de su cuerpo lejos del accesorio de corte.
- Nunca toque con las manos ni con ninguna otra parte del cuerpo un accesorio de corte en movimiento.


- No toque el accesorio de corte cuando la batería esté colocada.

- Si la motoguadaña se maneja con una sola mano, se puede perder el control sobre la misma, lo cual es extremadamente peligroso. Para reducir el riesgo de que el operador o las personas de los alrededores sufran lesiones graves o mortales causadas por una pérdida de control:



- Nunca intente manejar la motoguadaña con una sola mano.

- Para reducir el riesgo de que el operador o las personas que se encuentran cerca sufran lesiones graves o mortales causadas por una pérdida de control, asegúrese de mantener el equilibrio y los pies bien apoyados en todo momento:
  - Asegúrese de mantener el equilibrio y de tener los pies bien apoyados en todo momento.
  - Tenga especial cuidado cuando trabaje en terrenos con mucha vegetación o húmedos, y preste atención siempre a posibles obstáculos ocultos como tocones, raíces, piedras, hoyos y zanjas.
  - Proceda con extrema precaución cuando trabaje en declives o en terrenos irregulares.
  - Para no perder la estabilidad, retire siempre las ramas caídas, los arbustos, el material cortado y cualquier otro objeto o vegetación que pueda aumentar el riesgo de resbalarse, tropezarse o caer.
  - Nunca trabaje con la motoguadaña por encima de la altura de su cintura.
  - No extienda los brazos más de lo necesario.

- Mantenga la motoguadaña equilibrada, para poder controlarla adecuadamente y fatigarse menos durante el uso.
  - Ajuste la posición del mango circular para lograr y mantener una posición de trabajo cómoda y eficaz,  12.

### 5.6.3 Condiciones de trabajo

## ADVERTENCIA

- Ponga la motoguadaña en funcionamiento solamente en condiciones de buena visibilidad y a la luz del día.
  - Posponga los trabajos si el tiempo está ventoso, con neblina, lluvioso o inclemente.
- La motoguadaña es una máquina que debe ser manejada por una sola persona.
  - No se debe permitir la proximidad de otras personas, especialmente de niños, ni de animales en los lugares donde se esté utilizando la máquina.
  - Apague la motoguadaña inmediatamente si se le aproxima alguna persona.
- Para reducir el riesgo de lesiones a los espectadores y usuarios no autorizados:
  - No deje la motoguadaña desatendida si tiene la batería colocada.
  - Apague la motoguadaña y quite la batería durante los descansos y en cualquier momento en que la motoguadaña no se utilice.
- Las chispas que se generan del funcionamiento de la motoguadaña pueden encender gases, líquidos, vapores, polvos u otros materiales y sustancias combustibles. Para reducir el riesgo de incendio y explosión:
  - No ponga en funcionamiento la motoguadaña en un lugar donde haya gases, líquidos, vapores, polvos u otros materiales y sustancias combustibles.
  - Lea y atégase a las recomendaciones dadas por autoridades gubernamentales (por ejemplo, OSHA) para identificar y evitar los peligros que representan gases combustibles, líquidos, vapores, polvos y otros materiales y sustancias combustibles.
- El uso de esta motoguadaña puede generar polvo y otras sustancias que contienen productos químicos considerados como causantes de enfermedades respiratorias, cáncer, defectos de nacimiento u otra toxicidad reproductora.
  - Consulte con agencias gubernamentales tales como EPA, OSHA, CARB y NIOSH, al igual que otras fuentes fidedignas sobre materiales peligrosos si desconoce los riesgos asociados con las sustancias particulares que está cortando o con las cuales está trabajando.
- La inhalación de ciertos polvos, especialmente los polvos orgánicos, tales como el moho o polen, puede provocar reacciones alérgicas o asmáticas en las personas sensibles. La inhalación repetida o de grandes cantidades de polvo u otros contaminantes del aire, especialmente los de partículas pequeñas, puede causar enfermedades respiratorias o de otro tipo.
  - Controle el polvo en su fuente, siempre que sea posible.
  - En la medida de lo posible, ponga la motoguadaña en funcionamiento de modo que el viento o el proceso de operación dirijan cualquier polvo, vapor u otras partículas generados por la motoguadaña en dirección contraria al operador.
  - Si no es posible mantener el polvo inhalable y otras partículas a niveles de fondo o aproximadamente de fondo, siempre utilice una mascarilla aprobada por NIOSH y con capacidad adecuada para las condiciones específicas del sitio. Siga las recomendaciones dadas por entidades gubernamentales (por ejemplo: OSHA/NIOSH) y asociaciones laborales y comerciales.
- Si la vegetación que corta o el terreno están cubiertos por una sustancia química, como un pesticida o herbicida:
  - Lea y siga las instrucciones y advertencias que acompañan a la sustancia que cubre la vegetación o el terreno.

## 5.6.4 Instrucciones de manejo

**⚠ ADVERTENCIA**

- En caso de emergencia:
  - Apague el motor de inmediato y retire la batería.
- El accesorio de corte sigue girando durante un período breve una vez que se suelta el gatillo. Es lo que se conoce como "efecto de volante". Para reducir el riesgo de lesiones graves por contacto con el accesorio de corte:



- Espere a que el accesorio de corte se detenga antes de caminar con la motoguadaña o de depositarla en el suelo.

- Cuando gira, el accesorio de corte puede lanzar objetos extraños a gran distancia, directa o indirectamente. Los objetos lanzados, entre los que se pueden incluir accesorios de corte rotos, pueden causar lesiones graves o mortales al operador o a personas que se encuentren cerca. Para reducir el riesgo de lesiones graves:



- Revise la zona de trabajo. Quite piedras, fragmentos de vidrio, piezas metálicas y otros objetos que pudieran ser lanzados por el accesorio de corte, dañar el accesorio o causar daños materiales (p. ej., vehículos estacionados, ventanas).



- Lleve siempre una protección adecuada para los ojos y asegúrese de no hay nadie a una distancia de menos de 50 pies de la zona de trabajo (15 m). Todas las personas que deban ingresar al área restringida también deberán usar una protección adecuada para los ojos.
- Para reducir el riesgo de que se produzcan daños materiales, mantenga esta distancia también con respecto a vehículos y ventanas.

- Guardar una distancia mínima de 50 pies (15 m) no elimina por completo el riesgo de lesiones y de daños materiales provocados por los objetos que salen lanzados.
- Apague el motor inmediatamente si se le aproxima alguien mientras está trabajando con la motoguadaña.

- Su motoguadaña está equipada con un deflector. Para reducir el riesgo de que se produzcan lesiones causadas por objetos lanzados y por contacto con el accesorio de corte:



- Nunca ponga la motoguadaña en funcionamiento si el deflector está dañado o no se ha montado.

- El accesorio de corte y el deflector deben formar una combinación aprobada.

- Mantenga el deflector ajustado correctamente en todo momento.

- El uso de accesorios de corte metálicos, de hilo de alambre o reforzados con metal, o de otros accesorios de corte no aprobados, está prohibido y puede ser extremadamente peligroso.



- Nunca utilice cuchillas metálicas ni hilo reforzado con metal en esta motoguadaña. Use únicamente los accesorios de corte que se recomiendan en este manual, combinados con el deflector recomendado. Consulte el capítulo "Combinaciones de deflectores y accesorios de corte", 24.

- Para reducir el riesgo de lesiones graves provocadas por un arranque accidental de la máquina:



- No toque el accesorio de corte ni la cabeza segadora con la mano, con los pies ni con ninguna otra parte del cuerpo cuando la batería está colocada, aunque el accesorio de corte no esté girando. Mantenga una distancia de como mínimo 50 pies (15 m) con respecto a las personas que estén en los alrededores.

- Quite la batería antes de instalar o de ajustar el protector contra golpes.



- Apague el motor y retire la batería antes de revisar la cabeza segadora, el accesorio de corte o el deflector. Elimine la suciedad, el pasto, la maleza y cualquier otro material extraño de la cabeza segadora y del deflector a intervalos regulares, pero solo después de haber retirado la batería.

- Un accesorio de corte o una cabeza segadora dañados o sueltos pueden vibrar, agrietarse, romperse o desprenderse de la motoguadaña, lo que puede provocar lesiones graves o mortales.
  - Asegúrese de que el accesorio de corte y la cabeza segadora están correctamente apretados antes de empezar a trabajar.
  - Compruebe si el accesorio de corte y la cabeza segadora están bien apretados y en buen estado antes de empezar a trabajar, y siempre que el comportamiento de corte cambie durante el uso. Siempre apague el motor, espere a que el accesorio de corte se detenga y retire la batería antes de revisar la motoguadaña o su accesorio de corte.
  - Si la cabeza segadora o el accesorio de corte se aflojan después de haberlos apretado correctamente, deje de trabajar de inmediato y lleve la motoguadaña a un concesionario de servicio STIHL autorizado para que la inspeccionen.
  - Nunca use una motoguadaña con una cabeza segadora o un accesorio de corte suelto.

- Una cabeza segadora agrietada, dañada o gastada podría romperse a altas velocidades y provocar lesiones graves o incluso mortales.
  - Solicite la sustitución inmediata de una cabeza segadora que esté agrietada, dañada o desgastada, incluso aunque parezca que el daño está limitado a grietas superficiales.

## ⚠ PELIGRO

- Para reducir el riesgo de electrocución:



- Nunca utilice esta motoguadaña cerca de alambres o de cables que puedan tener corriente eléctrica.
- No confíe en el aislamiento contra descargas eléctricas de la motoguadaña.

## 6 Seguridad de la batería

### 6.1 Advertencias e instrucciones

## ⚠ ADVERTENCIA

- Lea y respete las medidas de seguridad que figuran en la batería, así como todas las advertencias e instrucciones que se adjuntan con ella.

- El uso de baterías no autorizadas puede causar daños en la herramienta motorizada y provocar incendios, explosiones, lesiones personales y daños materiales.
  - Utilice únicamente baterías de las gamas AR o AP de STIHL con esta herramienta motorizada.
- La utilización de las baterías de las gamas AR o AP de STIHL con cualquier fin que no sea alimentar las herramientas motorizadas de STIHL podría ser extremadamente peligroso.
  - Use las baterías de las gamas AR y AP de STIHL solo para proporcionar alimentación a herramientas motorizadas de STIHL compatibles.
- El uso de cargadores no autorizados puede causar daños en la batería y provocar incendios, explosiones, lesiones personales y daños materiales.
  - Para cargar las baterías de la gama AP de STIHL, utilice siempre cargadores STIHL AL 101, AL 300 o AL 500 auténticos.
  - Para cargar las baterías de mochila de la gama AR de STIHL, utilice siempre cargadores AL 300 o AL 500 de STIHL auténticos.
- La batería tiene funciones y dispositivos de seguridad que, de dañarse, pueden provocar que la batería genere calor, se rompa, pierda líquido, se incendie o explote.



- Nunca permita que la temperatura de la batería supere los 212 °F (100 °C).
- Nunca prenda fuego a la batería, ni la coloque sobre o junto a fuegos, estufas u otro tipo de objetos que alcancen temperaturas muy altas.
- Nunca use ni cargue una batería que funcione incorrectamente, que esté dañada, agrietada, deformada o que pierda líquido.
- Nunca abra, desmonte ni golpee la batería; no la deje caer ni la exponga a impactos fuertes o a daños de cualquier otro tipo.
- Nunca exponga la batería a microondas ni a presiones elevadas.

- Nunca introduzca objetos en las rendijas de ventilación de la batería.

- Las temperaturas extremas pueden hacer que la batería genere calor, se rompa, pierda líquido, se incendie o explote, lo que podría causar lesiones personales graves o fatales y daños a la propiedad. La exposición a temperaturas no incluidas en el rango recomendado puede contribuir además a acortar la vida útil de la batería y a empeorar su rendimiento.



- Use y guarde la batería únicamente a una temperatura ambiente de entre 14 °F y 122 °F (-10 °C y 50 °C).
- Nunca guarde la batería en un lugar expuesto a la luz solar directa ni dentro de un vehículo si la temperatura exterior es elevada.
- Para reducir el riesgo de que se produzcan lesiones personales y daños materiales en caso de que la batería humee, emita un olor inusual o se caliente más de lo habitual durante el uso, la carga o el almacenamiento:
  - Interrumpa el uso o la carga de la batería inmediatamente. Póngase en contacto con las autoridades en caso de incendio o explosión.
- Para reducir el riesgo de que se produzca un cortocircuito, que podría causar, a su vez, una descarga eléctrica, un incendio o una explosión:



- Asegúrese de mantener secas las baterías de mochila AR 900, 1000, 2000, 3000 de STIHL. Protéjalas de la lluvia, del agua y de otros líquidos. Si llueve o el grado de humedad es muy elevado, cubra la batería AR 1000, 2000, 3000 de STIHL con la funda para lluvia antes de empezar a trabajar.



- Si una batería de la gama AP o AR L de STIHL ha estado expuesta a la lluvia durante el trabajo, sáquela de la herramienta y déjela secar bajo techo. Asegúrese de que está completamente seca antes de cargarla o de usarla.
- Nunca sumerja en agua ni en ningún otro líquido una batería de STIHL.
- Nunca puentee los terminales de la batería con alambres ni con otros objetos metálicos.
- Cuando no la esté usando, mantenga la batería alejada de objetos metálicos (p. ej., presillas para papel, clavos, monedas, llaves).
- Nunca transporte ni guarde la batería en un recipiente de metal.
- Guarde la batería bajo techo, en un lugar seco.
- Nunca guarde la batería en entornos húmedos o corrosivos, ni en condiciones que podrían provocar corrosión en los componentes metálicos.
- Proteja la batería de la exposición a productos corrosivos, como las sustancias químicas utilizadas en el jardín o las sales descongelantes.
- Proteja la batería de la exposición a líquidos conductores como el agua salada.
- No intente reparar, abrir ni desmontar la batería. No contiene ninguna pieza que el usuario pueda reparar sin ayuda.
- El líquido que contiene la batería, y que puede derramarse en determinadas circunstancias, es potencialmente nocivo y puede provocar irritaciones en los ojos y en la piel, quemaduras químicas y otras lesiones graves.
  - Evite el contacto con la piel y con los ojos.
  - Para recoger el líquido de batería derramado, use un producto absorbente inerte, como la arena.
  - En caso de contacto accidental, limpie inmediatamente y a fondo la zona afectada con un jabón suave y agua.

- Si le entra líquido de batería en los ojos: no se los frote. Aclárese los ojos con agua corriente durante al menos 15 minutos y acuda al servicio médico más cercano.
- Si la batería se prende fuego, puede resultar peligrosa. Para reducir el riesgo de que se produzcan lesiones personales graves y daños materiales, en caso de incendio:
  - Evacue la zona. El fuego se puede extender rápidamente. Manténgase lejos de cualquier vapor que se genere y respete una distancia de seguridad suficiente.
  - Avise a los bomberos.
  - Aunque se puede usar agua para apagar un incendio de batería, es preferible utilizar un extintor de incendios de polvo químico multiuso.
  - El cuerpo de bomberos le informará sobre la forma adecuada de deshacerse de una batería incendiada.

## 7 Mantenimiento, reparación y almacenamiento

### 7.1 Advertencias e instrucciones

#### **⚠ ADVERTENCIA**

- La batería y la motoguadaña no contienen piezas que el usuario esté autorizado a reparar. Para reducir el riesgo de incendios, descargas eléctricas o lesiones de otro tipo, así como daños materiales:
  - Los usuarios deben realizar únicamente los trabajos de mantenimiento y limpieza que se describen en este manual.
  - Respete escrupulosamente las instrucciones de limpieza y mantenimiento que se dan en las secciones correspondientes de este manual de instrucciones.
  - Nunca intente reparar un accesorio de corte dañado o roto. Esto puede provocar el desprendimiento de piezas rotas y causar lesiones graves o mortales.



- STIHL recomienda encargar todos los trabajos de reparación o reemplazo a un concesionario de servicio de STIHL autorizado.
- Un arranque accidental puede provocar lesiones o daños materiales. Para reducir el riesgo de lesiones y de daños materiales a causa de un arranque accidental:



- Quite la batería antes de inspeccionar la motoguadaña o de realizar cualquier tarea de limpieza, mantenimiento o reparación, así como antes de guardar la máquina y cuando no vaya a utilizarla.
- El uso de piezas no autorizadas o no aprobadas por STIHL puede provocar lesiones graves o mortales, así como daños materiales.
  - Para llevar a cabo tareas de reparación o mantenimiento, STIHL recomienda utilizar únicamente piezas de repuesto STIHL idénticas a las originales.
- Para reducir el riesgo de cortocircuitos e incendios:
  - Mantenga las ranuras de la batería libres de cuerpos extraños. Límpielas siempre que sea necesario, 20.1.
- Un almacenamiento incorrecto puede resultar en el uso de la máquina por parte de personas no autorizadas, o provocar daños en la herramienta motorizada; además, aumenta el riesgo de incendios, descargas eléctricas y lesiones personales, así como de daños materiales.
  - Retire la batería de la herramienta motorizada antes de guardarla.
  - Nunca guarde la herramienta motorizada ni el cargador con la batería puesta.
  - Guarde la motoguadaña y la batería en un lugar seco y bajo llave al que no puedan acceder niños ni otras personas no autorizadas.
  - Nunca guarde la batería en la motoguadaña, en el cargador ni en un contenedor metálico, ni en un envase junto con objetos metálicos (p. ej., presillas para papel, clavos, monedas, llaves).

- Si la batería se cae, puede provocar lesiones o daños materiales. Para evitar que la batería se caiga al sacarla:
  - Coloque la motoguadaña sobre una superficie nivelada.
  - Tenga cuidado cuando saque la batería.

## 8 Antes de empezar a trabajar

### 8.1 Preparación de la motoguadaña para el funcionamiento

Antes de empezar a trabajar:

- ▶ Cargue por completo la batería, 9.
- ▶ Monte el mango circular de la motoguadaña, 11.1.
- ▶ Monte un deflector que esté aprobado para el uso con el accesorio de corte que quiere utilizar, 11.3, 24.1.
- ▶ Monte una cabeza segadora aprobada, 11.4.1
- ▶ Ajuste el mango circular de la motoguadaña, 12.1.
- ▶ Compruebe si los controles funcionan correctamente y si están en buenas condiciones, 15.1.

## 9 Carga de la batería

### 9.1 Preparación del cargador para el funcionamiento

#### ADVERTENCIA

Lea y atégase a las precauciones de seguridad dadas en la batería y en el cargador y todas las advertencias e instrucciones que acompañan a dichos productos. Para reducir el riesgo de cortocircuito, que podría provocar una descarga eléctrica, un incendio y una explosión, asegúrese de que el cargador y sus componentes estén secos y no estén dañados; opere el cargador puertas adentro a la temperatura ambiente adecuada.

### **⚠ ADVERTENCIA**

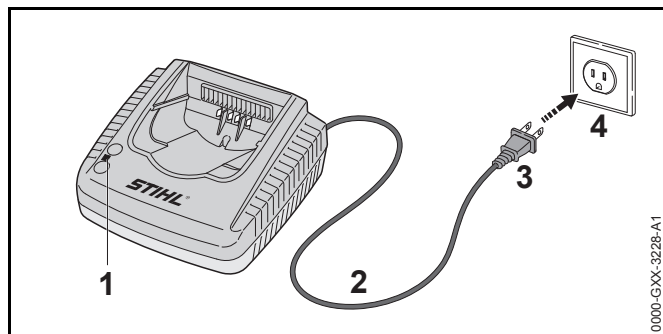
Un circuito eléctrico doméstico típico suministra entre 15 y 20 amperios. Un cargador STIHL AL 500 consume aproximadamente 4,8 A. Un cargador AL 300 consume aproximadamente 4,4 A. Para reducir el riesgo de incendios causados por la sobrecarga de un circuito eléctrico:

- ▶ Compruebe que el circuito eléctrico tenga capacidad suficiente para suministrar el consumo eléctrico anticipado antes de cargar la batería.
- ▶ Cargue varias baterías una por una, o en circuitos separados, a menos que se sepa que el circuito es capaz de soportar el consumo total anticipado de varios cargadores.

### **⚠ ADVERTENCIA**

Dado que el cargador se calienta durante el proceso de carga, no haga funcionar el cargador sobre superficies que puedan incendiarse o en un lugar donde haya gases, líquidos, vapores, polvo u otros materiales y sustancias combustibles.

Para preparar el cargador para el funcionamiento:



- ▶ Conecte el enchufe (3) a un tomacorriente de pared (4) debidamente instalado que suministre el voltaje y frecuencia indicados en la chapa de información del cargador.

El cargador ejecutará una autoprueba inmediatamente después de enchufarlo. El LED del cargador (1) se iluminará en verde durante 1 segundo aproximadamente, y luego en

rojo por un lapso breve hasta apagarse. Una vez que el LED se apaga, la autoprueba ha finalizado y el cargador está listo para cargar la batería.

- ▶ Ubique el cordón eléctrico (2) como para que no se lo pise, cause tropiezos, esté en contacto con objetos cortantes o partes móviles o, de otro modo sujeto, a daño o esfuerzo.

## 9.2 Carga

### **⚠ ADVERTENCIA**

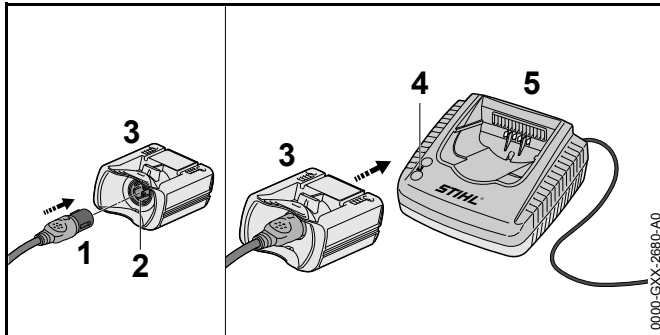
Las baterías STIHL tienen características y dispositivos de seguridad que, de dañarse, pueden provocar que la batería genere calor, se rompa, pierda líquido, se incendie o explote. Nunca cargue una batería que funcione mal o que esté dañada, deformada o tenga fugas, ni utilice un cargador averiado. Nunca inserte una batería húmeda ni un adaptador de batería que esté mojado. Nunca use un cargador que esté mojado. Respete todas las advertencias e instrucciones específicas de su batería y de su cargador.

La batería no se suministra completamente cargada de fábrica. STIHL le recomienda que cargue la batería por completo antes de usarla por primera vez.

Utilice el cargador siempre bajo techo, en habitaciones secas y a temperaturas ambiente de entre 41 °F y 104 °F (5 °C y 40 °C).

La batería se calienta durante el funcionamiento de la herramienta motorizada. Si se conecta al cargador una batería caliente, puede ser necesario esperar a que se enfríe para que empiece a cargarse. El proceso de carga solo comienza una vez que la batería se ha enfriado lo suficiente.

El tiempo de carga depende de varios factores, tales como el estado de la batería y la temperatura ambiente. Si quiere ver una lista completa de los tiempos de carga aproximados, visite [www.stihl.com/charging-times](http://www.stihl.com/charging-times).

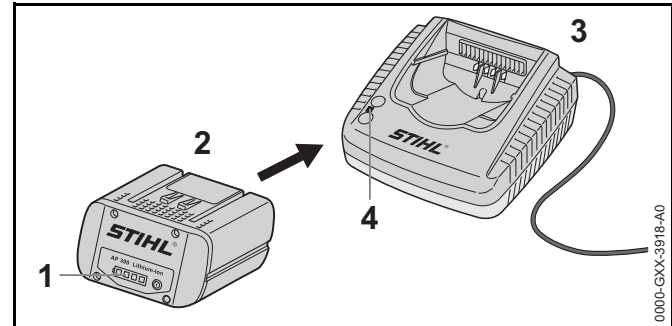
**Para cargar una batería AR:**

- ▶ Inserte el enchufe del cable de conexión (1) en el tomacorriente (2) del adaptador AP (3), hasta el tope.
- ▶ Inserte el adaptador AP en el cargador (5) hasta que haga tope. El LED del **cargador** (4) se ilumina en verde cuando la batería se está cargando.

Los LED de la **batería AR** se iluminan en verde e indican el estado de carga.

Cuando los LED de la batería se apagan, el proceso de carga ha finalizado y el cargador se apaga automáticamente. El adaptador AP se puede retirar del cargador.

- ▶ Desenchufe el cordón eléctrico del tomacorriente cuando el cargador no esté en uso.
- ▶ Cargue las baterías tipo mochila AR de STIHL únicamente con cargadores de las gamas AL 300 o AL 500 de STIHL auténticos.

**Para cargar una batería AP:**

- ▶ Inserte la batería (2) en el cargador (3) hasta que haga tope. El LED del **cargador** se ilumina en verde cuando la batería se está cargando.

Los LED (1) de la **batería AP** se iluminan en verde e indican el estado de la carga.

Cuando los LED de la batería se apagan, el proceso de carga ha finalizado y el cargador se apaga automáticamente. La batería AP se puede retirar del cargador.

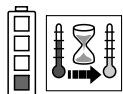
- ▶ Desenchufe el cordón eléctrico del tomacorriente cuando el cargador no esté en uso.
- ▶ Para cargar las baterías de la gama AP de STIHL, utilice siempre cargadores STIHL AL 101, AL 300 o AL 500 auténticos.

## 10 Diagnóstico por LED y señales acústicas

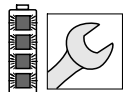
### 10.1 Batería AP de STIHL

#### 10.1.1 Estado de la batería

Cuatro LED muestran el estado de la batería. Estos LED pueden encenderse o destellar en verde o rojo.



**Si un LED se enciende en rojo continuamente**, la batería está demasiado caliente o demasiado fría. Deje que la batería se caliente o se enfríe gradualmente a una temperatura ambiente de aproximadamente 10 °C a 20 °C (50 °F a 68 °F).



**Si los cuatro LED destellan en rojo**: la batería está averiada y debe reemplazarse. No intente cargar, usar ni guardar la batería.

### 10.1.2 Estado de la herramienta motorizada

Los mismos LED en la batería indican el estado de la herramienta motorizada.

**Si tres LED se encienden en rojo continuamente**, el motor de la herramienta motorizada está demasiado caliente. Deje que el motor se enfríe.

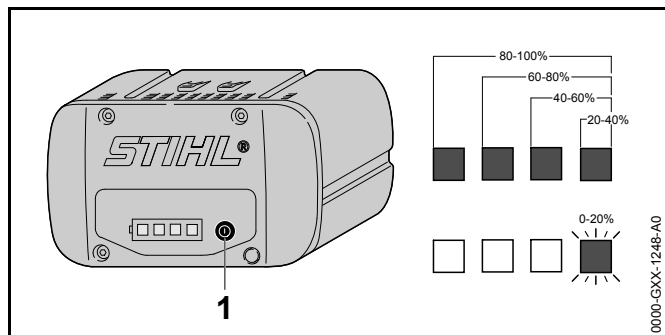
**Si tres LED destellan en rojo cuando activa el gatillo**, la herramienta motorizada tiene un defecto eléctrico. No utilice la herramienta motorizada. Solicite a un concesionario de servicio STIHL autorizado que la revise antes de usarlo.

Para información de localización de averías, 22.

### 10.1.3 Estado de carga

Los LED en la batería también muestran el estado de carga de la batería.

Para determinar el estado de carga de la batería:



- ▶ Presione el botón (1) en la batería.  
Los LED de la batería se encenderán o destellarán en verde por unos 5 segundos e indicarán el estado de carga (vea la ilustración).

**Por ejemplo:**

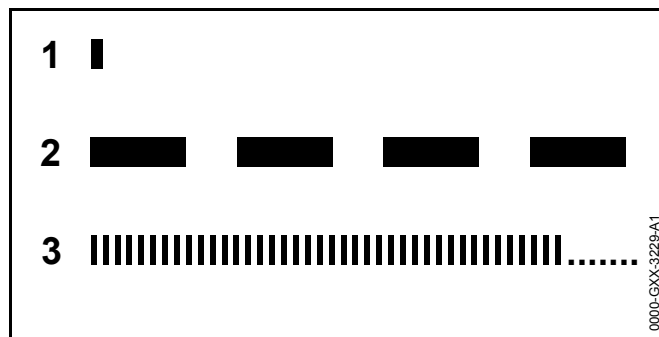
**Si cuatro LED se encienden en verde continuamente**, la carga está completa.

**Si un LED destella en verde**, queda menos del 20 % de la carga.

## 10.2 Batería de mochila STIHL AR

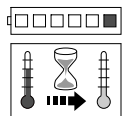
### 10.2.1 Estado de la batería

Seis LED y una señal acústica denotan el estado de la batería.

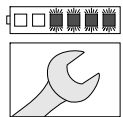


- 1 Un pitido breve**  
La señal acústica funciona como debe hacerlo.
- 2 Cuatro o seis tonos largos (AR L)**  
La batería tiene poca carga. Recargue la batería.
- 3 Sucesión rápida de pitidos breves**  
Hay una falla en la batería. La señal se detiene automáticamente al cabo de unos segundos. No intente cargar, usar ni guardar la batería. Sustituya la batería.

Estos LED pueden encenderse o destellar en verde o rojo.



**Si un LED se enciende en rojo continuamente**, la batería está demasiado caliente o demasiado fría. Deje que la batería se caliente o se enfríe gradualmente a una temperatura ambiente de aproximadamente 10 °C a 20 °C (50 °F a 68 °F).



**Si los cuatro LED derechos destellan en rojo y se escucha una sucesión rápida de pitidos breves**: la batería está averiada y es necesario reemplazarla. No intente cargar, usar ni guardar la batería.

- Sea consciente de que su capacidad para oír la señal acústica puede verse disminuida si usa protectores para oídos.

### 10.2.2 Estado de la herramienta motorizada

Cuando la batería está conectada con la herramienta motorizada, los mismos LED en la batería indicarán el estado de la herramienta motorizada.

**Si tres LED se encienden en rojo continuamente**, el motor de la herramienta motorizada está demasiado caliente. Deje que el motor se enfríe.

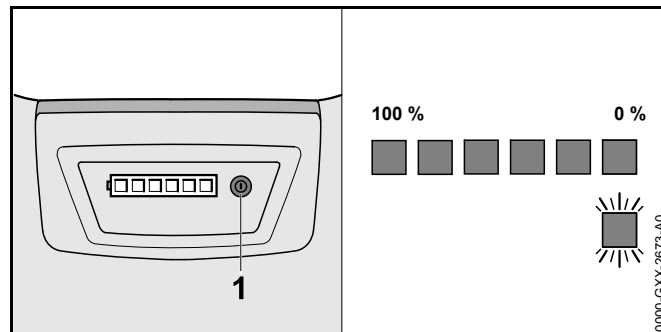
**Si tres LED destellan en rojo cuando activa el gatillo**, la herramienta motorizada tiene un defecto eléctrico. No utilice la herramienta motorizada. Solicite a un concesionario de servicio STIHL autorizado que la revise antes de usarlo.

Para información de localización de averías, 22.

### 10.2.3 Estado de carga

Los LED y señales acústicas en la batería también muestran el estado de carga de la batería.

Para determinar el estado de carga de la batería:



- Pulse el botón (1) en la batería tipo mochila.

Se escucha un pitido breve. Los LED de la batería se encenderán o destellarán en verde por unos 5 segundos e indicarán el estado de carga (vea la ilustración).

**Por ejemplo:**

**Si seis LED se encienden en verde continuamente**, la carga está completa.

**Si un LED verde destella y se escuchan cuatro pitidos largos**: resta menos de un 20 % de carga.

## 11 Armado de la motoguadaña

### 11.1 Montaje del mango circular

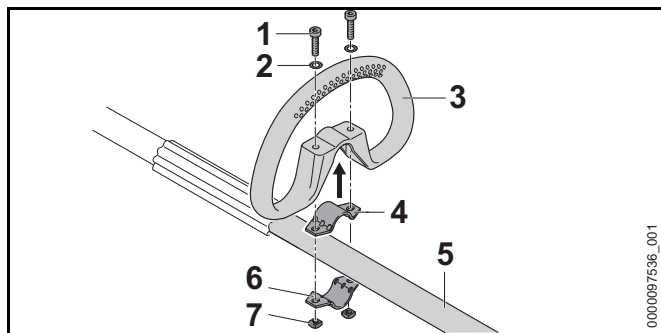


#### ADVERTENCIA

Para reducir el riesgo de lesionarse por la pérdida del control sobre la máquina, compruebe que el mango circular está montado de forma correcta y segura antes de empezar a trabajar.

Para montar el mango circular:

- Apague la herramienta motorizada, 14.2.
- Retire la batería, 13.2.

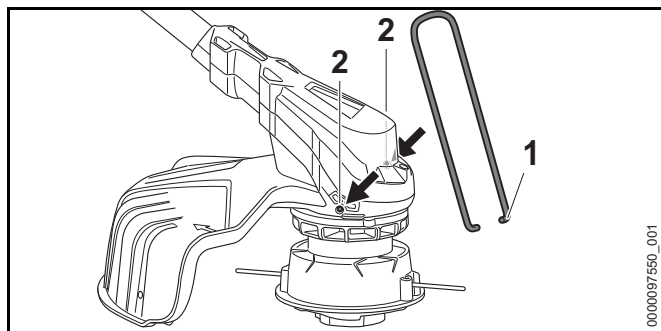


- ▶ Coloque una abrazadera (4) en el mango circular (3).
- ▶ Coloque la otra abrazadera (6) contra la parte inferior del tubo de mando (5) y alinee los orificios del mango circular y de las abrazaderas.
- ▶ Coloque arandelas (2) en los tornillos (1) e introduzca los tornillos por los orificios del mango circular y de las abrazaderas.
- ▶ Coloque las tuercas cuadradas (7) y apriételas de forma que queden firmes. Asegúrese de que el mango está bien fijo y de que no se va a mover durante el trabajo.

## 11.2 Montaje del protector contra golpes

Para montar el protector contra golpes:

- ▶ Apague la herramienta motorizada, 14.2.
- ▶ Retire la batería, 13.2.



- ▶ Enganche las dos puntas del protector contra golpes (1) en los orificios (2) de la carcasa.

No es necesario desmontar de nuevo el protector contra choques.

## 11.3 Instalación y retiro de un deflector

### 11.3.1 Montaje del deflector

#### ADVERTENCIA

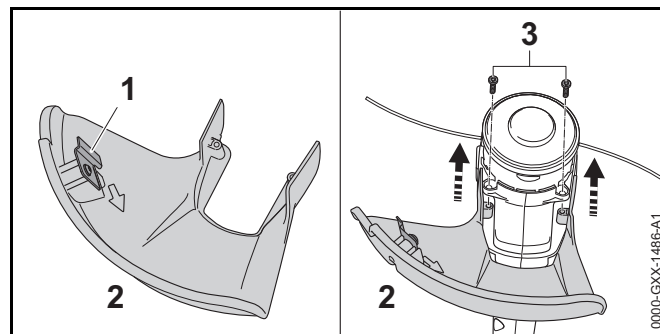
Para reducir el riesgo de lesiones causadas por objetos que salen despedidos o por contacto con el accesorio de corte, nunca maneje la motoguadaña si el deflector no está montado correctamente. Mantenga una distancia de como mínimo 50 pies (15 m) con respecto a las personas que estén en los alrededores. Para utilizar un deflector diseñado para usarse con una cabeza segadora PolyCut es necesario cambiar el deflector antes de montar la cabeza segadora.

#### ADVERTENCIA

El accesorio de corte y el deflector deben formar una combinación aprobada. Utilice únicamente una combinación aprobada de accesorio de corte y deflector para obtener el máximo rendimiento de corte y para reducir el riesgo de lesiones graves provocadas por objetos que salen lanzados o por contacto con el accesorio de corte, 24.1.

Para montar el deflector:

- ▶ Apague la motoguadaña, 14.2.
- ▶ Retire la batería, 13.2.





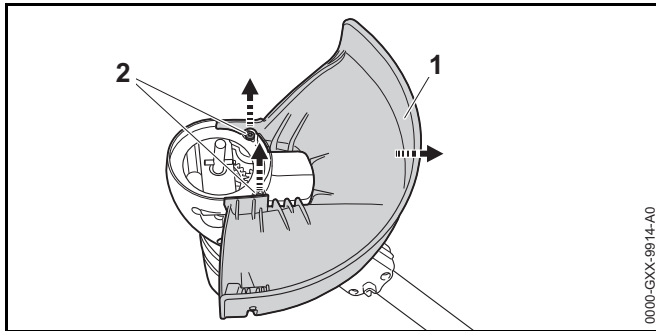
- ▶ Introduzca el deflector (2) en las guías de la carcasa hasta que haga tope.  
El deflector debe quedar apretado contra la carcasa.
- ▶ Inserte y apriete los tornillos (3).

La cuchilla limitadora del hilo (1) viene montada en el deflector y no debe retirarse.

### 11.3.2 Retiro del deflector

Para retirar un deflector:

- ▶ Apague la herramienta motorizada,  14.2.
- ▶ Retire la batería,  13.2.




- ▶ Saque los tornillos (2).
- ▶ Quite el deflector (1)

## 11.4 Montaje y retiro de una cabeza segadora


### 11.4.1 Montaje de una cabeza segadora

#### ADVERTENCIA

El uso de hilo de alambre o reforzado con metal está prohibido y puede ser extremadamente peligroso. Use únicamente los accesorios de corte que se recomiendan en este manual, combinados con el deflector recomendado,  5.6.4.



#### ADVERTENCIA

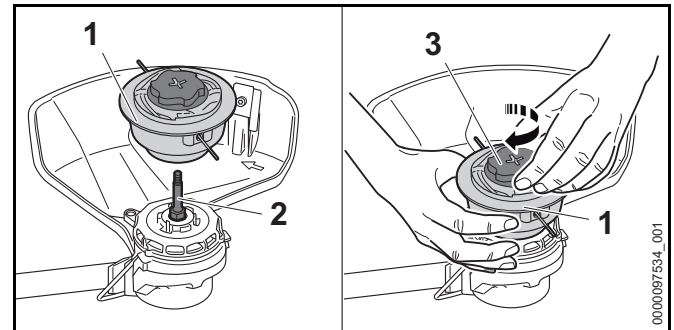
Si el accesorio de corte o la cabeza segadora están dañados o sueltos, pueden vibrar, agrietarse, romperse o desprenderse de la motoguadaña, lo que puede provocar

lesiones graves o mortales, o daños materiales. Asegúrese de que la cabeza segadora y el accesorio de corte están bien apretados y en buenas condiciones antes de empezar a trabajar,  5.6.4.

### Cabeza segadora AutoCut C 6-2

Para montar una cabeza segadora AutoCut C 6-2:



- ▶ Apague la motoguadaña,  14.2.
- ▶ Retire la batería,  13.2.



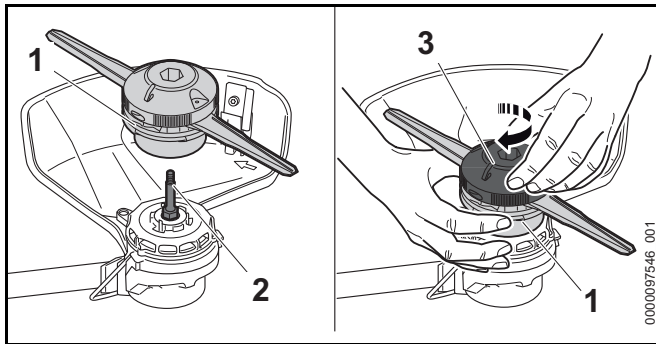
- ▶ Coloque la máquina de modo que usted quede mirando hacia el lado inferior del deflector y el eje impulsor, orientado hacia arriba.
- ▶ Encaje la cabeza segadora (1) en el eje impulsor (2).
- ▶ Enrosque la tapa (3) a mano, en sentido horario, en el eje impulsor (2), mientras mantiene sujeta la cabeza segadora (1) con la otra mano.
- ▶ Continúe enroscando la tapa hasta que quede fija de manera segura.

### Cabeza segadora PolyCut 6-2

Para montar una cabeza segadora PolyCut 6-2:

- ▶ Apague la motoguadaña,  14.2.
- ▶ Retire la batería,  13.2.



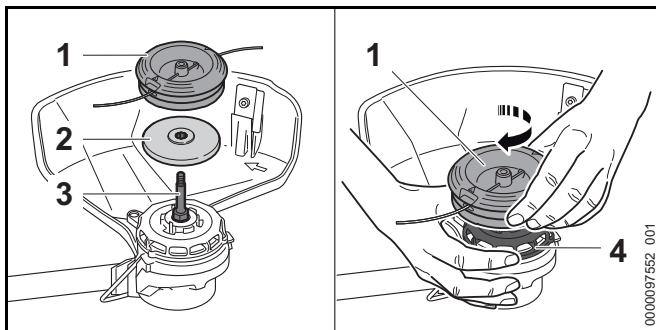


- ▶ Coloque la máquina de modo que usted quede mirando hacia el lado inferior del deflector y el eje impulsor, orientado hacia arriba.
- ▶ Encaje la cabeza segadora (1) en el eje impulsor (2).
- ▶ Enrosque la parte superior (3) en el eje impulsor a mano, girándola en sentido horario, mientras mantiene sujeta la cabeza segadora (1) con la otra mano.
- ▶ Continúe enroscando la parte superior hasta que quede fija de manera segura.

### Cabeza segadora DuroCut 5-2

Para instalar una cabeza segadora DuroCut 5-2:

- ▶ Apague la motoguadaña, 14.2.
- ▶ Retire la batería, 13.2.



- ▶ Coloque la máquina de modo que usted quede mirando hacia el lado inferior del deflector y el eje impulsor, orientado hacia arriba.

- ▶ Encaje la placa de empuje (2) en el eje impulsor (3), manteniendo el lado de la placa de empuje con el diámetro más pequeño hacia arriba, orientado hacia la cabeza segadora (1).
- ▶ Enrosque la cabeza segadora (1) a mano en el eje impulsor, girándola en sentido horario, mientras sujeta la rueda del ventilador (4) con la otra mano.
- ▶ Continúe enroscando la cabeza segadora hasta que quede fija de manera segura.

### INDICACIÓN

Si la motoguadaña se usa con un hilo excesivamente largo, aumenta la carga del motor, y su velocidad de funcionamiento se reduce. Esto puede causar sobrecalentamiento y daños en componentes importantes.

### 11.4.2 Desmontaje de una cabeza segadora

#### Cabeza segadora AutoCut C 6-2

Para desmontar una cabeza segadora AutoCut C 6-2:

- ▶ Apague la herramienta motorizada, 14.2.
- ▶ Retire la batería, 13.2.
- ▶ Coloque la máquina de modo que pueda ver el lado inferior del deflector y con el eje impulsor hacia arriba.
- ▶ Sujete la cabeza segadora con la mano para impedir que el eje impulsor rote.
- ▶ Desenrosque la cabeza segadora girando la tapa en sentido contrahorario.

#### Cabeza segadora PolyCut 6-2



Para retirar una cabeza segadora PolyCut 6-2:

- ▶ Apague la herramienta motorizada, 14.2.
- ▶ Retire la batería, 13.2.
- ▶ Coloque la máquina de modo que pueda ver el lado inferior del deflector y con el eje impulsor hacia arriba.
- ▶ Sujete la cabeza segadora con la mano para impedir que el eje impulsor rote.
- ▶ Desenrosque la cabeza segadora girando la parte superior en sentido contrahorario.



## Cabeza segadora DuroCut 5-2

Para retirar la cabeza segadora DuroCut 5-2:



- ▶ Apague la herramienta motorizada,  14.2.
- ▶ Retire la batería,  13.2.
- ▶ Coloque la máquina de modo que pueda ver el lado inferior del deflector y con el eje impulsor hacia arriba.
- ▶ Sujete la rueda de ventilador con la mano para impedir que el eje impulsor rote.
- ▶ Desenrosque la cabeza segadora girándola en sentido contrahorario.
- ▶ Retire la placa de empuje.

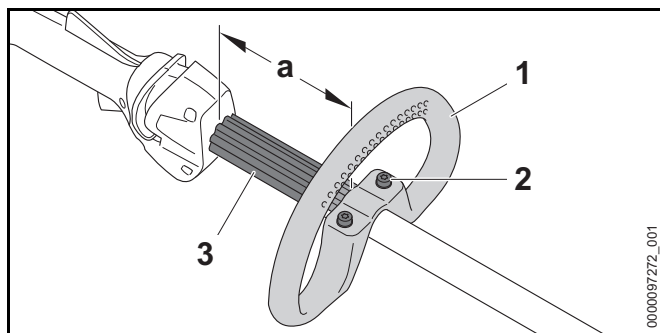
## 12 Ajuste de la motoguadaña

### 12.1 Ajuste del mango circular

El mango circular se puede montar de modo que se adapte a la altura y la complejión del operador.

Para ajustar la posición del mango circular:

- ▶ Apague la herramienta motorizada,  14.2.
- ▶ Retire la batería,  13.2.





- ▶ Afloje los tornillos (2) que mantienen el mango circular fijo al eje de la motoguadaña.
- ▶ Deslice el mango circular (1) hasta la posición deseada, teniendo en cuenta las siguientes limitaciones:

- Mantenga el espaciador (3) posicionado siempre entre el mango circular y el mango de control.
- La distancia "a" debe ser inferior a 11,8 in. (30 cm).
- ▶ Apriete los tornillos hasta que el mango circular esté bien asegurado y no se pueda mover a lo largo del tubo de mando.


## 13 Colocación y extracción de la batería.

### 13.1 Colocación de la batería

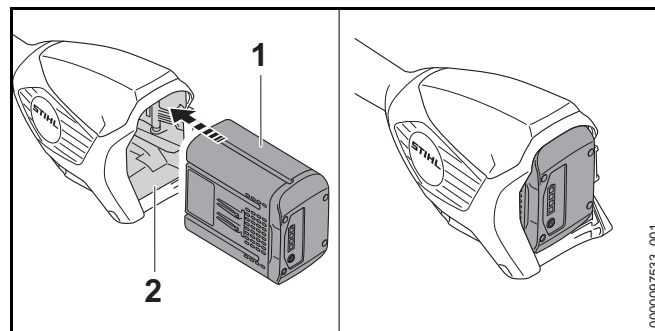
#### ADVERTENCIA

Nunca use una batería que esté defectuosa, dañada, agrietada, que pierda líquido o esté deformada,  6. Use y guarde la batería únicamente a una temperatura ambiente de entre 14 °F y 122 °F (- 10 °C y 50 °C),  6.

#### ADVERTENCIA

Para reducir el riesgo de activación accidental, nunca guarde la batería en la motoguadaña,  19.2.


Para colocar la batería:



- ▶ Coloque la motoguadaña sobre una superficie nivelada.

- ▶ Meta la batería (1) en el compartimiento de la batería (2) hasta que haga tope.

La batería se ha colocado correctamente si se escucha un clic y si queda al ras con la parte superior de la carcasa. En esta posición, hay contacto eléctrico entre la batería y la motoguadaña.

Las baterías nuevas no están completamente cargadas. STIHL recomienda cargarlas por completo antes de usarlas por primera vez,  9.

## 13.2 Extracción de la batería

### ADVERTENCIA

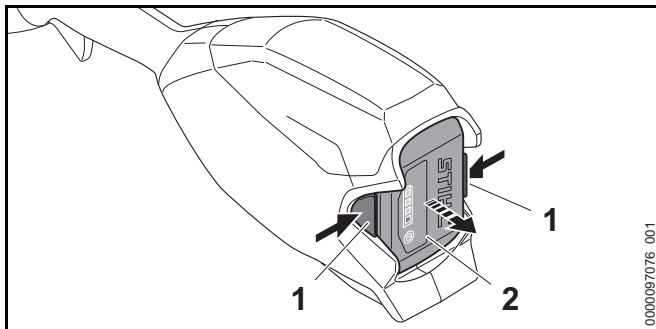
Para reducir el riesgo de lesiones graves provocadas por una activación accidental, quite la batería siempre antes de armar, transportar, ajustar, limpiar, reparar, mantener o guardar la motoguadaña, y cuando no se esté usando.

### ADVERTENCIA

Tenga cuidado cuando saque la batería, para evitar que se caiga y provoque lesiones o daños materiales.

Para quitar la batería:

- ▶ Suelte el gatillo.
- ▶ Coloque la motoguadaña sobre una superficie nivelada.
- ▶ Coloque la mano detrás de la batería.



- ▶ Apriete las palancas de bloqueo (1) para sacar la batería (2) de su compartimiento.



## INDICACIÓN

Evite exponer la batería a un calor excesivo o a la luz solar directa durante periodos prolongados. El uso o el almacenamiento a temperaturas no incluidas en el rango de temperatura ambiente recomendado pueden reducir el rendimiento y/o la vida útil de la batería.




## 14 Encendido y apagado de la motoguadaña

### 14.1 Encendido

#### ADVERTENCIA

Para reducir el riesgo de que el operador o las personas de los alrededores sufran lesiones graves o mortales, mantenga las manos, los pies y cualquier otra parte del cuerpo lejos del accesorio de corte,  5.6.2. No toque el accesorio de corte cuando la batería esté colocada. Nunca toque con las manos ni con ninguna otra parte de su cuerpo el accesorio de corte en movimiento,  5.6.4.

#### ADVERTENCIA

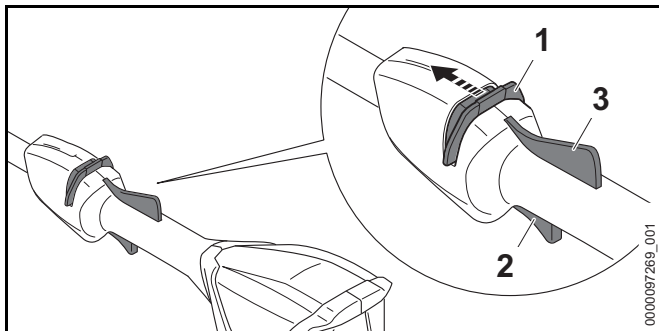
Nunca use la motoguadaña si ha sido modificada o si está dañada, mal ajustada o mal reparada, si no se ha armado por completo y debidamente o si no funciona de manera correcta,  5.5. Para reducir el riesgo de lesiones, use siempre ropa y equipos de protección adecuados, incluida protección adecuada para los ojos, cuando utilice la motoguadaña,  5.4. Para reducir el riesgo de lesiones graves o mortales provocadas por una pérdida de control, sujete la motoguadaña siempre con ambas manos cuando trabaje,  5.6.2.

Antes de encender la máquina:

- ▶ Asegúrese de que no hay otras personas dentro de la zona general de trabajo.
- ▶ Asegúrese de que tiene los pies bien apoyados.
- ▶ Mantenga una posición erguida.

- ▶ Siempre sujete y maneje la motoguadaña con una mano apoyada firmemente en la parte trasera o en el mango de control y con la otra mano colocada con firmeza en el mango circular.

Para encender la motoguadaña:



- ▶ Desbloquee el pestillo de retención (1) empujándolo hacia delante con el pulgar. Manténgalo en esta posición de desbloqueo.
- ▶ Mientras mantiene en esta posición el pestillo de retención, apriete el gatillo (2) con su dedo índice. El accesorio de corte comenzará a moverse.

El motor no se encenderá si no se empuja el pestillo de retención hacia delante al tiempo que se pulsa el gatillo. Una vez activado el gatillo, puede soltar el pestillo de retención. Si mantiene la palanca Ergo (3) hacia abajo, el gatillo de aceleración permanece desbloqueado.

Si suelta el gatillo y la palanca Ergo, tendrá que desbloquear de nuevo la herramienta con el pestillo de retención.

## 14.2 Apagado

### **⚠ ADVERTENCIA**

El accesorio de corte seguirá moviéndose durante un tiempo una vez que se suelta el gatillo. Para evitar lesiones graves o mortales, evite el contacto con el accesorio de corte en movimiento. Para reducir el riesgo de lesiones causadas por una activación accidental o por un uso no autorizado de la máquina, apague el motor, asegúrese de

que el accesorio de corte se ha detenido y retire la batería antes de transportar la motoguadaña o de depositarla en el suelo.

Para apagar la motoguadaña:

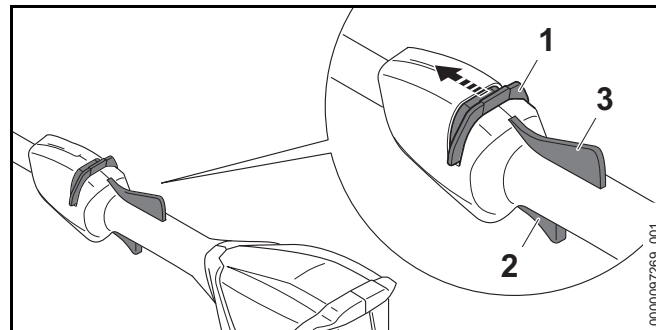
- ▶ Suelte el gatillo y la palanca Ergo para que el gatillo vuelva a la posición "bloqueado". En la posición "bloqueado", el pestillo de retención vuelve a bloquear la activación del gatillo.

El accesorio de corte seguirá moviéndose brevemente después de soltar el gatillo. Asegúrese de evitar el contacto después de soltar el gatillo y cuando deposite la motoguadaña en el suelo.

## 15 Revisión de la motoguadaña

### 15.1 Prueba de los controles


Antes de comenzar a trabajar, confirme que el pestillo de retención (1), el gatillo (2) y la palanca Ergo (3) no presentan daños y que funcionan correctamente.



**Pestillo de retención (1), gatillo (2) y palanca Ergo (3)**

### **⚠ ADVERTENCIA**

Para reducir el riesgo de lesiones graves o mortales, mantenga las manos, los pies y cualquier otra parte del cuerpo lejos del accesorio de corte. No toque el accesorio de corte cuando la batería esté colocada. Nunca toque con las manos ni con ninguna otra parte de su cuerpo el

accesorio de corte en movimiento,  5.6.2. Asegúrese de que las personas de los alrededores se mantienen a una distancia de, como mínimo, 50 pies (15 m) mientras prueba los controles.


Para probar los controles:

- ▶ Retire la batería.
- ▶ Intente apretar el gatillo.  
Si el gatillo se puede presionar sin desbloquear antes el pestillo de retención, lleve la motoguadaña a un concesionario de servicio STIHL autorizado para que la reparen antes de utilizarla.
- ▶ Presione la palanca Ergo hacia abajo. Asegúrese de que se mueve libremente y de que vuelve a su lugar cuando la suelta.
- ▶ Desbloquee el pestillo de retención desplazándolo hacia adelante.  
Cuando suelte el pestillo de retención, este debería volver a la posición "bloqueado".
- ▶ Desbloquee el pestillo de retención y presione la palanca ergonómica al mismo tiempo, para que el pestillo de retención permanezca desbloqueado.  
Cuando lo suelte, el pestillo de retención debe permanecer en la posición "desbloqueado" mientras usted mantenga presionada la palanca ergonómica.
- ▶ Suelte el pestillo de retención y la palanca Ergo.
- ▶ Coloque la batería.
- ▶ Sujete la motoguadaña agarrando firmemente con una mano el mango de control y con la otra mano, el mango circular. Mientras empuja el pestillo de retención hacia delante, oprima el gatillo con su dedo índice.  
La motoguadaña debería encenderse. Si no lo hace, lleve la motoguadaña a un concesionario de servicio STIHL autorizado para que la reparen antes de utilizarla.
- ▶ Suelte el gatillo.  
La motoguadaña debería apagarse.  
  
Si el accesorio de corte no se detiene después de soltar el gatillo, retire la batería y lleve la motoguadaña a un concesionario de servicio STIHL autorizado para que la reparen antes de utilizarla.





## 16 Durante el funcionamiento

### 16.1 Uso de la motoguadaña

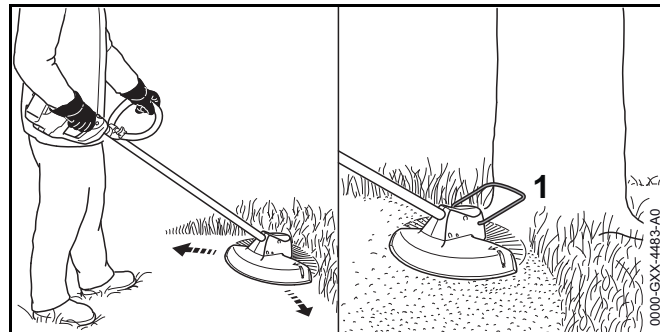
#### ADVERTENCIA

Para evitar lesiones graves o mortales, evite el contacto con el accesorio de corte en movimiento,  5.6.4.

#### ADVERTENCIA

Para reducir el riesgo de sufrir lesiones, nunca trabaje con la motoguadaña bajo la lluvia o en condiciones en que la humedad es muy elevada,  5.5. Cuando utilice la motoguadaña, siempre use ropa adecuada y equipos protectores, incluida una protección adecuada para los ojos,  5.4. Asegúrese de que no hay nadie a un radio de como mínimo 50 pies (15 m) de la zona de trabajo,  5.6.4. Trabaje con cuidado y mantenga un control adecuado de la motoguadaña,  5.6.2.

La motoguadaña está diseñada para manejarse con las dos manos.



- ▶ Mueva la motoguadaña hacia delante y hacia atrás, en paralelo al suelo, dibujando un arco controlado.
- ▶ Avance hacia adelante despacio, manteniendo las dos manos sobre la motoguadaña en todo momento.

Mientras se corta, el protector contra golpes (1) limita el rango de corte del hilo de segado, y ayuda a evitar que la vegetación sufra daños por accidente en determinadas circunstancias (vea la ilustración). Quite siempre la batería antes de montar o de ajustar el protector contra golpes.

Respete todas las leyes, regulaciones, estándares y normas aplicables.

## 16.2 Ajuste del hilo de nilón

### ADVERTENCIA

Para reducir el riesgo de lesiones personales causadas por la activación accidental, siempre apague el motor y retire la batería antes de agregar o ajustar manualmente el hilo de nilón.

- ▶ Presione el gatillo y simultáneamente golpee la cabeza segadora contra el suelo mientras gira.

Con cada golpe se soltará aproximadamente 30 mm (1,2 pulg) de hilo nuevo.

La cuchilla limitadora del hilo en el deflector corta el hilo de segado a la longitud correcta.

El mecanismo de avance por golpe no soltará más hilo si el hilo de segado mide menos que 25 mm (0,1 pulg). Para soltar más hilo manualmente:

- ▶ Apague la motoguadaña y quite la batería.
- ▶ Mantenga presionado el botón en la cabeza segadora.
- ▶ Jale el hilo de segado con la mano.
- ▶ Si el hilo de segado no se puede jalar a la longitud deseada, instale un carrete de hilo nuevo.

STIHL recomienda guardar las cuchillas de polímero o de hilo de nilón en un baño de agua durante 12 a 24 horas como mínimo antes de usarlas para prolongar su vida útil.



## 17 Después de completar el trabajo

### 17.1 Preparación para el transporte o el almacenamiento

#### ADVERTENCIA

Para reducir el riesgo de lesiones personales causadas por la activación accidental o el uso no autorizado, apague el motor, asegúrese de que el accesorio de corte se haya detenido y retire la batería antes de transportar o de bajar la motoguadaña.

Para preparar la motoguadaña para el transporte o el almacenamiento:

- ▶ Apague la motoguadaña.  14.2.
- ▶ Retire la batería.  13.2.
- ▶ Si la motoguadaña o la batería se humedeció durante el funcionamiento, deje que se seque por completo antes de cargarla o guardarla.



## 18 Transporte de la motoguadaña y de la batería

### 18.1 Motoguadaña

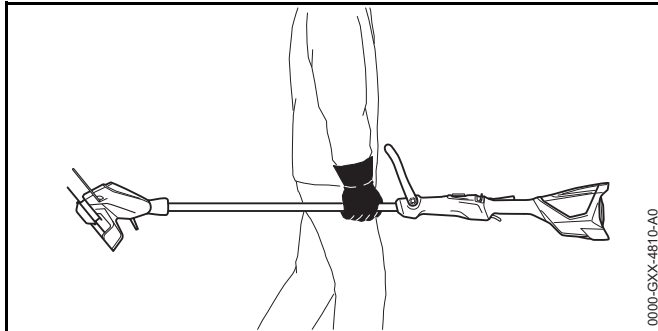
#### ADVERTENCIA

Para reducir el riesgo de lesiones causadas por una activación accidental, nunca transporte la motoguadaña con la batería colocada.

#### ADVERTENCIA

Para reducir el riesgo de lesiones provocadas por una pérdida de control y por contacto con las cuchillas o con el hilo, nunca lleve ni transporte su motoguadaña con el accesorio de corte en movimiento,  5.6.4. Asegúrese de que el accesorio de corte se ha detenido antes de depositar la máquina en el suelo,  5.6.4.


Cuando transporte la motoguadaña:



- ▶ Cuando transporte la motoguadaña a mano, sujete el tubo de mando de modo que la motoguadaña quede equilibrada en horizontal. Mantenga el accesorio de corte hacia atrás, en sentido opuesto a la dirección en que está caminando.
- ▶ Cuando transporte la motoguadaña en un vehículo, asegúrela y colóquela de modo que no vuelque, no se golpee y no se dañe.

## 18.2 Batería

### **!** ADVERTENCIA

Para reducir el riesgo de cortocircuito, que podría generar una descarga eléctrica, un incendio o una explosión, nunca transporte la batería en un contenedor metálico o cerca de objetos de metal (por ejemplo, presillas de papel, clavos, monedas, llaves),  6

Al transportar la batería:

- ▶ Coloque la batería en un contenedor o una caja no metálicos y protéjala de impactos o daños. Nunca transporte la batería en un envase metálico u otro contenedor capaz de conducir electricidad, ni cerca de objetos metálicos (por ejemplo, presillas para papel, clavos, monedas, llaves, etc.).
- ▶ Si transporta la batería en un vehículo, asegúrela junto con su contenedor para prevenir vuelcos, impactos y daños.

Las baterías STIHL cumplen con los requisitos descritos en el Manual UN ST/SG/AC.10/11/Ver.5/Parte III, Subsección 38.3.

El transporte comercial por aire, agua y tierra de celdas de ion de litio y baterías está regulado. Esta batería está clasificada como un producto UN 3480, Clase 9 y grupo de envasado II. Para transportarla, ya sea como parte de la herramienta completa o sola, es necesario cumplir con todas las normas de transporte correspondientes. Antes del transporte o traslado, consulte con la empresa de transporte por tierra o agua, o bien con la aerolínea de carga o pasajeros, para determinar si el transporte está prohibido o sujeto a restricciones o exenciones.



Por lo general, el usuario no necesita cumplir con ninguna condición adicional para poder transportar baterías STIHL por carretera hasta el sitio donde se encuentra la herramienta eléctrica. Verifique y respete cualquier norma especial que pudiera aplicarse a su situación.

Para obtener más información, visite [www.stihlusa.com/battery-transportation-safety](http://www.stihlusa.com/battery-transportation-safety).


## 19 Almacenamiento de la motoguadaña y de la batería

### 19.1 Motoguadaña

#### **!** ADVERTENCIA



Guarde la motoguadaña bajo techo, en un lugar seco y bajo llave al que no puedan acceder niños ni otras personas no autorizadas,  5.1. Nunca guarde la batería en la motoguadaña. Un almacenamiento inadecuado puede resultar en el uso de la motoguadaña por parte de personas no autorizadas y, por tanto, en daños en la motoguadaña,  5.1.

Cuando guarde la motoguadaña:



- ▶ Limpie la motoguadaña,  20.
- ▶ Guarde la motoguadaña bajo techo, en un lugar seco y seguro al que no puedan acceder niños ni otras personas no autorizadas.

## 19.2 Batería

### ADVERTENCIA

Para reducir el riesgo de cortocircuito, que podría generar una descarga eléctrica, un incendio o una explosión, nunca guarde la batería en un contenedor metálico o cerca de objetos de metal,  6. Si la batería está húmeda o mojada, permita que se seque completamente antes de guardarla,  6.

### ADVERTENCIA

Las temperaturas extremas pueden dañar la batería y también hacer que genere calor, se rompa, pierda líquido, se incendie o explote, lo que podría causar lesiones personales graves o fatales y daños a la propiedad. Utilice y guarde la batería únicamente a una temperatura ambiente de -10°C a 50°C (14°F a 122°F),  6. No guarde la batería en un lugar con luz solar directa ni dentro de un vehículo en tiempo caluroso,  6.


Para almacenar la batería correctamente:

- ▶ Extraiga la batería de la motoguadaña o del cargador.
- ▶ Compruebe que la batería esté seca y guárdela bajo techo, en un lugar seco y bajo llave.
- ▶ Manténgalo fuera del alcance de los niños y de otras personas no autorizadas.
- ▶ Proteja la batería contra la humedad y los agentes corrosivos, como productos químicos de jardinería y sales de deshielo.
- ▶ Proteja la batería contra la exposición a líquidos conductores de electricidad tales como el agua salada.
- ▶ Para obtener la duración máxima de la batería, guarde la batería en una temperatura ambiente de entre 10 °C y 20 °C (50 °F y 68 °F) con una carga de entre el 40 % y el 60 % (2 LED iluminados en verde).
- ▶ No deje sueltas las baterías que no se utilizan. Rótelas.

## 20 Limpieza

### 20.1 Limpieza de la motoguadaña y de la batería

#### ADVERTENCIA

Para reducir el riesgo de lesiones provocadas por una activación accidental, quite la batería antes de realizar cualquier trabajo de limpieza,  5.1. Los usuarios de esta motoguadaña deben llevar a cabo únicamente las tareas de limpieza que se describen en este manual.


Para limpiar la motoguadaña y la batería:

- ▶ Limpie los componentes plásticos de la motoguadaña con un paño ligeramente húmedo. No use detergentes ni disolventes. Estos productos pueden dañar los componentes de polímero.
- ▶ No utilice una hidrolavadora para limpiar la motoguadaña, ni la rocíe con agua ni con otros líquidos.
- ▶ Mantenga la carcasa y las guías de la batería libres de cuerpos extraños y límpielas siempre que sea necesario con un cepillo blando o con un paño suave y seco.
- ▶ Limpie la zona que rodea la rueda del ventilador con un paño húmedo o con un cepillo suave.

## 21 Inspección y mantenimiento

### 21.1 Inspección y mantenimiento de la motoguadaña

#### ADVERTENCIA

Para reducir el riesgo de lesiones personales causadas por una activación accidental, quite la batería antes de inspeccionar la motoguadaña o de realizar cualquier tarea de mantenimiento,  7. Lleve a cabo únicamente las tareas de mantenimiento que se describen en este manual. No hay reparaciones que el usuario esté autorizado a llevar a cabo. STIHL le recomienda que encargue las reparaciones a concesionarios de servicio STIHL autorizados.

Para realizar correctamente el mantenimiento de la motoguadaña:

- ▶ Si la cabeza segadora o el deflector están desgastados, reemplácelos.
- ▶ Si las etiquetas de seguridad están gastadas, dañadas o faltan, solicite a los empleados de su concesionario de servicio STIHL autorizado que las reemplacen.








Si reclama cobertura de garantía para algún componente que no se ha reparado o mantenido debidamente, es posible que se le deniegue la garantía.





## 22 Guía de solución de problemas

### 22.1 Motoguadaña y batería

Siempre retire la batería antes de realizar cualquier trabajo de inspección, limpieza o mantenimiento.

Problema	LED de la batería	Causa	Solución
La motoguadaña no arranca cuando se enciende.		No hay contacto eléctrico entre la motoguadaña y la batería.	<ul style="list-style-type: none"> <li>▶ Retire la batería,  13.2.</li> <li>▶ Inspeccione visualmente los contactos eléctricos del compartimiento de la batería y de la batería.</li> <li>▶ Vuelva a colocar la batería,  13.1.</li> </ul>
	1 LED destella en verde.  Gama STIHL AR: se emiten cuatro pitidos largos (AR L: seis pitidos).	La batería tiene poca carga.	<ul style="list-style-type: none"> <li>▶ Cargue la batería,  9.</li> </ul>
	1 LED se ilumina en rojo.	La batería está demasiado caliente/demasiado fría.	<ul style="list-style-type: none"> <li>▶ Espere a que la batería se caliente o se enfríe gradualmente hasta alcanzar una temperatura ambiente de entre 50 °F y 68 °F aproximadamente (de 10 °C a 20 °C).</li> </ul>
	4 LED destellan en rojo.  Gama STIHL AR: además, se emite una sucesión rápida de pitidos cortos.	La batería no funciona correctamente.	<ul style="list-style-type: none"> <li>▶ Retire la batería y colóquela de nuevo,  13.</li> <li>▶ Encienda la motoguadaña,  14.1.</li> <li>▶ Si los LED siguen destellando, no intente usar la máquina. La batería no funciona correctamente, y es necesario cambiarla.</li> </ul>
	3 LED se iluminan en rojo.	La motoguadaña está demasiado caliente.	<ul style="list-style-type: none"> <li>▶ Espere a que la motoguadaña se enfríe.</li> </ul>
	3 LED destellan en rojo.	La motoguadaña no funciona correctamente.	<ul style="list-style-type: none"> <li>▶ Retire la batería y colóquela de nuevo,  13.</li> <li>▶ Encienda la motoguadaña,  14.1.</li> <li>▶ Si los LED siguen destellando, no intente usar la máquina. La motoguadaña tiene una avería y debe ser revisada en un concesionario de servicio.</li> </ul>

**Siempre retire la batería antes de realizar cualquier trabajo de inspección, limpieza o mantenimiento.**

Problema	LED de la batería	Causa	Solución
La motoguadaña se apaga durante el funcionamiento.	1 LED se ilumina en rojo.	La batería está demasiado caliente/demasiado fría.	<ul style="list-style-type: none"> <li>▶ Retire la batería,  13.2.</li> <li>▶ Espere a que la motoguadaña y la batería se enfríen gradualmente hasta alcanzar una temperatura ambiente de entre aproximadamente 50 °F y 68 °F (de 10 °C a 20 °C).</li> </ul>
	3 LED se iluminan en rojo.	La motoguadaña está demasiado caliente.	
El tiempo de funcionamiento es demasiado corto.		La batería no está completamente cargada.	▶ Cargue la batería,  9.
		Se alcanzó o se superó la vida útil de la batería.	▶ Lleve la batería a un concesionario de servicio STIHL autorizado para que la revisen.
La cabeza segadora no se puede retirar a mano.		La cabeza segadora se ha apretado demasiado.	<ul style="list-style-type: none"> <li>▶ Bloquee la rueda del ventilador con el pasador de tope.</li> <li>▶ Retire la cabeza segadora a mano girándola en sentido contrahorario.</li> <li>▶ Quite el pasador de tope.</li> </ul>
La batería no se carga, aunque el LED del cargador se ilumina en verde.	1 LED se ilumina en rojo.	La batería está demasiado caliente/demasiado fría.	<ul style="list-style-type: none"> <li>▶ Espere a que la batería se caliente o se enfríe gradualmente hasta alcanzar una temperatura ambiente de entre 50 °F y 68 °F aproximadamente (de 10 °C a 20 °C).</li> <li>▶ Utilice el cargador únicamente en lugares cerrados y secos a temperaturas ambiente de entre 41 °F y 104 °F (de 5 °C a 40 °C).</li> </ul>

## 23 Especificaciones

### 23.1 STIHL FSA 86 R

- Tipos de batería aprobados:
  - Gama STIHL AP
  - Gama STIHL AR
- Peso sin deflector ni accesorio de corte: 7,5 lbs. (3,4 kg)
- Largo: 68 in. (1725 mm)


Si necesita información técnica sobre las baterías de las gamas AP y AR / AR L de STIHL, consulte la información de producto adjunta con su batería.

Si necesita información técnica sobre los cargadores de las gamas AL 101, 300 y 500 de STIHL, consulte la información de producto que se adjunta con su cargador.

Las baterías, los cargadores y otros accesorios se venden por separado. Póngase en contacto con su concesionario de servicio STIHL autorizado para obtener información sobre precios y disponibilidad.

### 23.2 Símbolos de la motoguadaña y de la batería

Símbolo	Significado
V	Voltio
Hz	Hercio
A	Amperio
Ah	Amperio-hora
W	Vatio
Wh	Vatio-hora
AC	Corriente alterna
IP20	Grado de protección eléctrica

 Apriete y mantenga el pestillo de retención en la dirección indicada para desbloquear el equipo.



Velocidad nominal del accesorio de corte

 Corriente continua




Número de celdas y energía acumulada de acuerdo con las especificaciones del fabricante de las celdas. La cantidad de energía aprovechable será menor.



Marca de certificación/listado de CSA.



Los productos STIHL no se deben eliminar junto con la basura doméstica, sino de acuerdo con las leyes y normas locales, estatales y federales que se especifican en este manual,  26.



El sello RBRC indica que STIHL ha pagado por adelantado por el reciclaje de la batería.



Aislamiento: Categoría II (aislamiento doble)

### 23.3 Mejoras técnicas

STIHL tiene la filosofía de mejorar continuamente todos sus productos. Como resultado de ello, periódicamente se introducen cambios de diseño y mejoras. Por lo tanto, es posible que algunos cambios, modificaciones y mejoras no se describan en este manual. Si las características de funcionamiento o la apariencia de su máquina difieren de las descritas en este manual, comuníquese con el concesionario STIHL para obtener la ayuda que requiera.

### 23.4 Declaración de cumplimiento con norma FCC 15

Este dispositivo cumple con la parte 15 de las normas de la FCC.

El funcionamiento está sujeto a las dos condiciones dadas a continuación:

- este dispositivo no deberá causar interferencias nocivas.
- este dispositivo deberá aceptar todas las interferencias que reciba, incluso las interferencias que pudieran causar un funcionamiento no deseado.

Nota: Este equipo ha sido sometido a prueba y se ha hallado que cumple con los límites de los dispositivos digitales Categoría B, según la parte 15 del Reglamento de la FCC. Estos límites están diseñados para ofrecer protección razonable contra las interferencias nocivas en una instalación residencial. Este equipo genera, utiliza y puede irradiar energía a radiofrecuencias y, si no se lo instala y utiliza conforme a las presentes instrucciones, podría causar interferencias nocivas para las comunicaciones por radio. No obstante, no se ofrece garantía alguna de que la interferencia no ocurrirá en una instalación particular.

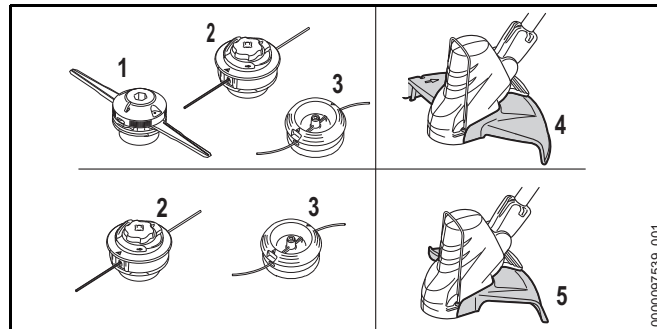
Si este equipo llegara a causar interferencias perjudiciales a la recepción de radio o televisión, lo cual puede determinarse encendiendo y apagando el equipo, se le indica al usuario que intente corregir la interferencia por medio de tomar una o más de las medidas siguientes:

- reoriente o cambie la ubicación de la antena de recepción,
- aumente la separación entre el equipo y el receptor,
- conecte el equipo a un tomacorriente de un circuito diferente al cual está conectado el receptor,
- consulte a un concesionario de servicio STIHL autorizado o a un técnico de radio/TV experto para recibir ayuda.

No cambie ni modifique este producto en modo alguno, a menos que se le indique específicamente hacerlo en este manual, puesto que podría anular la autoridad de usarlo.

## 24 Combinaciones aprobadas de deflectores y accesorios de corte

### 24.1 STIHL FSA 86 R





El modelo FSA 86 R está aprobado únicamente para su uso con los siguientes accesorios de corte:

Accesorios de corte	Deflectores
<ul style="list-style-type: none"> <li>– Cabeza segadora PolyCut 6-2 (1):               <ul style="list-style-type: none"> <li>– Cuchillas rígidas de polímero.</li> <li>– Hilo de nilón para motoguadañas: hilo redondo o hilo redondo "silencioso" con un diámetro de 0,080 in. (2,0 mm) o 0,095 in. (2,4 mm)</li> </ul> </li> <li>– Cabeza segadora AutoCut C 6-2 (2):               <ul style="list-style-type: none"> <li>– Hilo de nilón para motoguadañas: hilo redondo o hilo redondo "silencioso" con un diámetro de 0,080 in. (2,0 mm) o 0,095 in. (2,4 mm)</li> </ul> </li> <li>– Cabeza segadora DuroCut 5-2 (3):               <ul style="list-style-type: none"> <li>– Hilo de nilón para motoguadañas: hilo redondo o hilo redondo "silencioso" con un diámetro de 0,080 in. (2,0 mm) o 0,095 in. (2,4 mm)</li> </ul> </li> </ul>	<ul style="list-style-type: none"> <li>– Deflector para cabezas segadoras PolyCut, AutoCut y DuroCut (4)</li> </ul>

Accesorios de corte	Deflectores
<ul style="list-style-type: none"> <li>– Cabeza segadora AutoCut C 6-2 (2):               <ul style="list-style-type: none"> <li>– Hilo de nilón para motoguadañas: hilo redondo o hilo redondo "silencioso" con un diámetro de 0,080 in. (2,0 mm) o 0,095 in. (2,4 mm)</li> </ul> </li> <li>– Cabeza segadora DuroCut 5-2 (3):               <ul style="list-style-type: none"> <li>– Hilo de nilón para motoguadañas: hilo redondo o hilo redondo "silencioso" con un diámetro de 0,080 in. (2,0 mm) o 0,095 in. (2,4 mm)</li> </ul> </li> </ul>	<ul style="list-style-type: none"> <li>– Deflector para cabezas segadoras AutoCut y DuroCut (5)</li> </ul>

**ADVERTENCIA**


Para reducir el riesgo de lesiones provocadas por objetos que salen despedidos y por contacto con el accesorio de corte, nunca utilice la motoguadaña si no tiene instalado el deflector y el mango circular adecuados,  5.6.4. Asegúrese de que el deflector y el mango circular están montados y ajustados correctamente en todo momento mientras trabaja. Nunca utilice cuchillas metálicas ni hilo reforzado con metal en esta motoguadaña,  5.6.4.

**ADVERTENCIA**

Para reducir el riesgo de lesiones provocadas por una pérdida de control y por contacto con el accesorio de corte, asegúrese de que su máquina está equipada con el deflector correcto.

## 25 Piezas y equipos de repuesto

### 25.1 Piezas de repuesto originales de STIHL

STIHL recomienda el uso de piezas de repuesto originales de STIHL. Es posible identificar las piezas originales de STIHL por el número de pieza STIHL, el logotipo de **STIHL** y, en ciertos casos, el símbolo  de piezas STIHL. En las piezas pequeñas el símbolo puede aparecer solo.

## 26 Eliminación

### 26.1 Desecho de la herramienta motorizada

Los productos STIHL no se deben desechar junto con la basura del hogar, sino de la manera en que se detalla en este manual.

- ▶ Tome la herramienta motorizada y su embalaje a un sitio aprobado para desecharla y que efectúe un reciclaje no dañino al medio ambiente.
- ▶ Comuníquese con un concesionario de servicio STIHL autorizado para obtener la información más actualizada sobre eliminación y reciclado.

### 26.2 Reciclado de las baterías

#### ADVERTENCIA

Manipule las baterías descargadas/agotadas con cuidado. Aunque parezca que están descargadas, las baterías de ion de litio nunca se descargan completamente y pueden generar una corriente de cortocircuito peligrosa. Si se dañan o exponen a temperaturas extremas, pueden perder líquido, generar calor, incendiarse o explotar.

- ▶ Respete todas las leyes y normas federales, estatales y locales sobre eliminación de desechos.
- ▶ Comuníquese con un concesionario de servicio STIHL autorizado para obtener la información más actualizada acerca de la eliminación de desechos.

- ▶ Recicle las baterías agotadas rápidamente.
- ▶ Mantenga las baterías alejadas de los niños. No desarme el producto ni lo incinere.



STIHL está comprometida con el desarrollo de productos que protejan el medio ambiente. Este compromiso no termina cuando el producto sale del concesionario de servicio STIHL autorizado. STIHL se asoció con la RBRC (Corporación de Reciclaje de Baterías Recargables) para fomentar la recolección y el reciclado de baterías de ion de litio STIHL en los Estados Unidos y Canadá.

El sello de la RBRC indica que STIHL ya aportó dinero para el reciclado de la batería. El sello de la RBRC lleva impreso un número telefónico gratuito (1-800-822-8837) que le permite acceder a información sobre lugares de reciclaje de baterías y prohibiciones o restricciones respecto del reciclado de baterías en su zona. También puede devolver las baterías a cualquier concesionario de servicio STIHL autorizado para reciclarlas gratuitamente.

## 27 Garantía limitada

### 27.1 Política de garantía limitada de STIHL Incorporated

Este producto se vende sujeto a la Política de garantía limitada de STIHL Incorporated, disponible en [www.stihlusa.com/warranty.html](http://www.stihlusa.com/warranty.html). También puede obtenerlo de un concesionario de servicio STIHL autorizado o llamando al 1-800-GO-STIHL (1-800-467-8445).

## 28 Marcas comerciales

### 28.1 Marcas comerciales registradas

STIHL®

**STIHL**®



FARM BOSS®

iCademy®

MAGNUM®

La combinación de colores anaranjado-gris (Registros en EE. UU. #2,821,860; #3,010,057, #3,010,058, #3,400,477; y #3,400,476)

AutoCut®  
YARD BOSS®  
STIHL ROLLOMATIC®  
WOOD BOSS®



MasterWrench Service®  
MotoMix®  
OILOMATIC®  
ROCK BOSS®  
STIHL Cutquik®  
STIHL DUROMATIC®  
STIHL Quickstop®  
STIHL WOOD BOSS®  
TIMBERSPORTS®



Queda terminantemente prohibido todo uso de estas marcas comerciales sin el consentimiento expreso por escrito de ANDREAS STIHL AG & Co. KG, Waiblingen.

## 29 Direcciones

### 29.1 STIHL Incorporated

STIHL Incorporated  
536 Viking Drive  
P.O. Box 2015  
Virginia Beach, VA  
23452-2015

## 28.2 Marcas comerciales por ley común

4-MIX™	HT Plus™
BioPlus™	STIHL PowerSweep™
Easy2Start™	STIHL Protech™
EasySpool™	STIHL MiniBoss™
ElastoStart™	STIHL MotoPlus 4™
Ematic™	Master Control Lever™
STIHL Precision Series™	STIHL OUTFITTERS™
FixCut™	STIHL PICCO™
Micro™	TrimCut™
Pro Mark™	STIHL M-Tronic™
Quad Power™	STIHL HomeScaper Series™
Quiet Line™	STIHL PolyCut™
STIHL Arctic™	STIHL RAPID™
STIHL Compact™	STIHL SuperCut™
STIHL Interchangeable Attachment Series™	STIHL Multi-Cut HomeScaper Series™
TapAction™	STIHL Territory™
	

Esta lista de marcas comerciales está sujeta a cambios.

**! WARNING**

This trimmer and battery contain chemicals known to the State of California to cause cancer, birth defects or other reproductive harm.

**! ADVERTENCIA**

Esta motoguadaña y esta batería contienen productos químicos considerados por el Estado de California como causantes de cáncer, defectos de nacimiento u otra toxicidad reproductora.

0458-833-8621-A

englisch / spanisch USA



[www.stihl.com](http://www.stihl.com)



0458-833-8621-A