

STIHL

STIHL HSA 26

Instruction Manual
Manual de instrucciones



WARNING

Read Instruction Manual thoroughly before use and follow all safety precautions – improper use can cause serious or fatal injury.

ADVERTENCIA

Antes de usar la máquina lea y siga todas las precauciones de seguridad dadas en el manual de instrucciones – el uso incorrecto puede causar lesiones graves o mortales.



Instruction Manual

1 - 38

Manual de instrucciones

39 - 80

Contents

1	Introduction	2	10.1 Preparing the Garden Shears for Operation	20
2	Guide to Using this Manual	2	11 Charging the Battery	20
2.1	Signal Words	2	11.1 Setting up the Charger	20
2.2	Symbols in Text	3	11.2 Charging	21
3	Main Parts	3	11.3 Mounting the Charger on a Wall	21
3.1	Garden Shears, Battery and Charger	3	12 LED Diagnostics	22
3.2	Cutting Attachments	4	12.1 LEDs on the Garden Shears	22
4	Safety Symbols on the Products	4	12.2 LED on the Charger	23
4.1	Garden Shears, Battery and Charger	4	13 Mounting and Removing a Cutting Attachment	23
5	General Power Tool Safety Warnings	5	13.1 Mounting the Cutting Attachment	23
5.1	Introduction	5	13.2 Removing the Cutting Attachment	23
5.2	Work Area Safety	5	14 Inserting and Removing the Battery	24
5.3	Electrical Safety	6	14.1 Inserting the Battery	24
5.4	Personal Safety	6	14.2 Removing the Battery	24
5.5	Power Tool Use and Care	6	15 Switching the Garden Shears On and Off	25
5.6	Battery Tool Use and Care	7	15.1 Switching On	25
5.7	Service	7	15.2 Switching Off	25
5.8	Hedge Trimmer / Garden Shears with Mounted Shrub Blades Safety Warnings	7	16 Checking the Controls	26
6	IMPORTANT SAFETY INSTRUCTIONS	8	16.1 Testing the Controls	26
6.1	Introduction	8	17 During Operation	26
6.2	Intended Use	9	17.1 Cutting Shrubs	26
6.3	Operator	9	17.2 Cutting Grass	27
6.4	Personal Protective Equipment	9	18 After Finishing Work	27
6.5	Garden Shears	10	18.1 Preparing for Transportation or Storage	27
6.6	Using the Garden Shears	11	19 Transporting the Garden Shears and Battery	28
7	Battery Safety	16	19.1 Garden Shears	28
7.1	Warnings and Instructions	16	19.2 Battery	28
8	Charger Safety	17	19.3 Charger	28
8.1	Warnings and Instructions	17	20 Storing the Garden Shears, Battery and Charger	29
9	Maintenance, Repair and Storage	19	20.1 Garden Shears	29
9.1	Warnings and Instructions	19	20.2 Battery	29
10	Before Starting Work	20	20.3 Charger	29

STIHL

This instruction manual is protected by copyright. All rights reserved, especially the rights to reproduce, translate and process with electronic systems.

21	Cleaning	30
21.1	Cleaning the Garden Shears, Battery and Charger	30
21.2	Cleaning the Cutting Blades	30
22	Inspection and Maintenance	30
22.1	Garden Shears	30
22.2	Cutting Blades	31
23	Troubleshooting Guide	33
23.1	Garden Shears and Battery	33
23.2	Charger	34
24	Specifications	35
24.1	STIHL HSA 26	35
24.2	Cutting Attachments	35
24.3	STIHL AS Series Battery	35
24.4	STIHL AL 1	35
24.5	Ambient Temperature Limits	35
24.6	Ambient Temperature Recommendations	35
24.7	Symbols on the Garden Shears, Battery and Charger	36
24.8	Engineering Improvements	36
24.9	FCC 15 Compliance Statement	36
25	Replacement Parts and Equipment	37
25.1	Genuine STIHL Replacement Parts	37
26	Disposal	37
26.1	Disposal of the Garden Shears and Charger	37
26.2	Battery Recycling	37
27	Limited Warranty	37
27.1	STIHL Incorporated Limited Warranty Policy	37
28	Trademarks	38
28.1	Registered Trademarks	38
28.2	Common Law Trademarks	38
29	Addresses	38
29.1	STIHL Incorporated	38

1 Introduction

Thank you for your purchase. The information contained in this manual will help you receive maximum performance and satisfaction from your battery-powered garden shears and, if followed, reduce the risk of injury from their use.

SAVE THIS MANUAL!



Because battery-powered garden shears are high-speed cutting tools, special safety precautions must be observed to reduce the risk of personal injury.



Read this instruction manual thoroughly before use and periodically thereafter. Follow all safety precautions. Careless or improper use of the garden shears can cause serious or fatal injury.

Have your authorized STIHL servicing dealer show you how to operate your power tool.

Do not lend or rent the garden shears without this instruction manual. Allow only persons who fully understand the information in this manual to operate the garden shears.

For further information, or if you do not understand any of the instructions in this manual, please go to www.stihlusa.com (for Canada: www.stihl.ca) or contact your authorized STIHL servicing dealer.

2 Guide to Using this Manual

2.1 Signal Words

This manual contains safety information that requires your special attention. Such information is introduced with the following symbols and signal words:



DANGER

Indicates a hazardous situation that, if not avoided, will result in death or serious injury.

⚠ WARNING


Indicates a hazardous situation that, if not avoided, could result in death or serious injury.

NOTICE

Indicates a risk of property damage, including damage to the machine or its individual components.

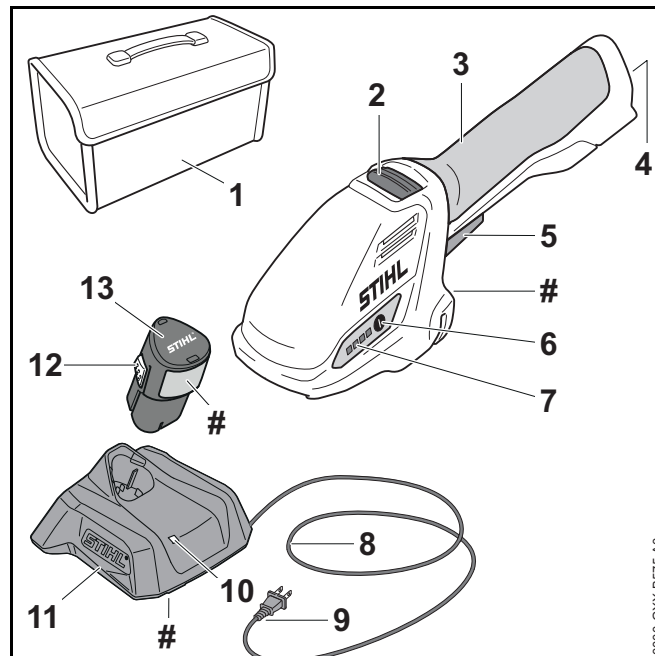
2.2 Symbols in Text

The following symbol is included to assist you with the use of the manual:

 Refers to a designated chapter or sub-chapter in this instruction manual.

3 Main Parts

3.1 Garden Shears, Battery and Charger



1 Carrying Bag

Designed for transporting and storing the garden shears, battery, charger and accessories. The carrying bag is included when the garden shears, battery and charger are purchased as a set.

2 Retaining Latch

Locks/unlocks the trigger switch.

3 Control Handle

The garden shears' handle.

4 Battery Compartment

Holds the battery.

5 Trigger Switch

Switches the motor on and off.

6 Push Button

Activates the garden shears' LEDs.

7 Garden Shears LEDs

Indicate the battery's state of charge and display error messages regarding potential malfunctions in the power tool or battery.

8 Power Supply Cord

Supplies the charger with electricity when plugged into an electrical outlet.

9 Plug

Connects the power supply cord to an electrical outlet.

10 Charger LED

Indicates the operating status of the charger.

11 Charger

Charges the battery.

12 Locking Lever

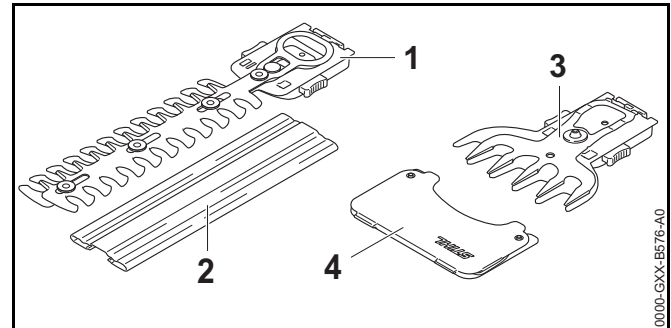
Secures the battery in the battery compartment.

13 Battery

Supplies electrical power to the motor.

Rating Plate

Contains electrical information and the product's serial number.

3.2 Cutting Attachments**1 Shrub Blades**

Steel blades for cutting shrubs.

2 Blade Scabbard

Covers the shrub blades to reduce the risk of injury from inadvertent contact during transportation and storage.

3 Grass Blades

Steel blades for cutting grass.

4 Blade Scabbard

Covers the grass blades to reduce the risk of injury from inadvertent contact during transportation and storage.

4 Safety Symbols on the Products**4.1 Garden Shears, Battery and Charger**

The following safety symbols are found on the garden shears, battery and/or charger:



To reduce the risk of injury, follow the specified safety precautions.



Read and follow all safety precautions in the instruction manual. Improper use can lead to serious or fatal personal injury or property damage.



To reduce the risk of eye injury, always wear proper eye protection, 6.4.



To reduce the risk of electric shock, do not expose the garden shears to rain, water or excessive moisture. Store them indoors. If they are exposed to rain or very damp conditions, take them to your authorized STIHL servicing dealer before further operation, 6.5.

To reduce the risk of personal injury or property damage from fire or electric shock, keep the charger dry. Protect it from rain, water, liquids and damp conditions. For indoor use only, 8.



To reduce the risk of cut injuries, keep hands, feet and other parts of your body away from the cutting blades, 6.6.4.



To reduce the risk of injury or property damage from unintended activation, remove the battery any time the garden shears are not in use, 6.6.



To reduce the risk of personal injury or property damage from fire, explosion or burns, including chemical burns, do not disassemble, crush, drop, damage or heat the battery above 212 °F (100 °C). Never expose it to fire or incinerate, 7.



To reduce the risk of personal injury or property damage from a short circuit, fire or explosion, keep the battery dry. Protect it from rain, water, liquids and damp conditions. Never immerse the battery in water or other liquids, 7.

5 General Power Tool Safety Warnings

5.1 Introduction

This chapter contains the prescribed general safety warnings and instructions for handheld, motor-operated electric power tools and motor-operated electric hedge trimmers / garden shears with mounted shrub blades. Additional important warnings and instructions are provided in subsequent chapters of this manual.

WARNING

- **Read all safety warnings and all instructions.** Failure to follow the warnings and instructions may result in electric shock, fire and/or serious injury.
- **Save all warnings and instructions for future reference.**

The term “power tool” in the warnings refers to your mains-operated (corded) power tool or battery-operated (cordless) power tool.

5.2 Work Area Safety

- a) **Keep work area clean and well lit.** Cluttered or dark areas invite accidents.
- b) **Do not operate power tools in explosive atmospheres, such as in the presence of flammable liquids, gases or dust.** Power tools create sparks which may ignite the dust or fumes.
- c) **Keep children and bystanders away while operating a power tool.** Distractions can cause you to lose control.

5.3 Electrical Safety

- a) **Power tool plugs must match the outlet. Never modify the plug in any way. Do not use any adapter plugs with earthed (grounded) power tools.** Unmodified plugs and matching outlets will reduce the risk of electric shock.
- b) **Avoid body contact with earthed or grounded surfaces, such as pipes, radiators, ranges and refrigerators.** There is an increased risk of electric shock if your body is earthed or grounded.
- c) **Do not expose power tools to rain or wet conditions.** Water entering a power tool will increase the risk of electric shock.
- d) **Do not abuse the cord. Never use the cord for carrying, pulling or unplugging the power tool. Keep cord away from heat, oil, sharp edges or moving parts.** Damaged or entangled cords increase the risk of electric shock.
- e) **When operating a power tool outdoors, use an extension cord suitable for outdoor use.** Use of a cord suitable for outdoor use reduces the risk of electric shock.
- f) **If operating a power tool in a damp location is unavoidable, use a residual current device (RCD) or ground fault circuit interruptor (GFCI) protected supply.** Use of an RCD or GFCI reduces the risk of electric shock.

5.4 Personal Safety

- a) **Stay alert, watch what you are doing and use common sense when operating a power tool. Do not use a power tool while you are tired or under the influence of drugs, alcohol or medication.** A moment of inattention while operating power tools may result in serious personal injury.
- b) **Use personal protective equipment. Always wear eye protection.** Protective equipment such as dust mask, non-skid safety shoes, hard hat, or hearing protection used for appropriate conditions will reduce personal injuries.

- c) **Prevent unintentional starting. Ensure the switch is in the off-position before connecting to power source and/or battery pack, picking up or carrying the tool.** Carrying power tools with your finger on the switch or energizing power tools that have the switch on invites accidents.
- d) **Remove any adjusting key or wrench before turning the power tool on.** A wrench or a key left attached to a rotating part of the power tool may result in personal injury.
- e) **Do not overreach. Keep proper footing and balance at all times.** This enables better control of the power tool in unexpected situations.
- f) **Dress properly. Do not wear loose clothing or jewellery. Keep your hair and clothing away from moving parts.** Loose clothes, jewellery or long hair can be caught in moving parts.
- g) **If devices are provided for the connection of dust extraction and collection facilities, ensure these are connected and properly used.** Use of dust collection can reduce dust-related hazards.
- h) **Do not let familiarity gained from frequent use of tools allow you to become complacent and ignore tool safety principles.** A careless action can cause severe injury within a fraction of a second.

5.5 Power Tool Use and Care

- a) **Do not force the power tool. Use the correct power tool for your application.** The correct power tool will do the job better and safer at the rate for which it was designed.
- b) **Do not use the power tool if the switch does not turn it on and off.** Any power tool that cannot be controlled with the switch is dangerous and must be repaired.
- c) **Disconnect the plug from the power source and/or remove the battery pack, if detachable, from the power tool before making any adjustments, changing accessories, or storing power tools.** Such preventive safety measures reduce the risk of starting the power tool accidentally.
- d) **Store idle power tools out of the reach of children and do not allow persons unfamiliar with the power tool or these instructions to operate the power tool.** Power tools are dangerous in the hands of untrained users.

- e) **Maintain power tools and accessories. Check for misalignment or binding of moving parts, breakage of parts and any other condition that may affect the power tool's operation. If damaged, have the power tool repaired before use.** Many accidents are caused by poorly maintained power tools.
- f) **Keep cutting tools sharp and clean.** Properly maintained cutting tools with sharp cutting edges are less likely to bind and are easier to control.
- g) **Use the power tool, accessories and tool bits etc. in accordance with these instructions, taking into account the working conditions and the work to be performed.** Use of the power tool for operations different from those intended could result in a hazardous situation.
- h) **Keep handles and grasping surfaces dry, clean and free from oil and grease.** Slippery handles and grasping surfaces do not allow for safe handling and control of the tool in unexpected situations.

5.6 Battery Tool Use and Care

- a) **Recharge only with the charger specified by the manufacturer.** A charger that is suitable for one type of battery pack may create a risk of fire when used with another battery pack.
- b) **Use power tools only with specifically designated battery packs.** Use of any other battery packs may create a risk of injury and fire.
- c) **When battery pack is not in use, keep it away from other metal objects, like paper clips, coins, keys, nails, screws or other small metal objects that can make a connection from one terminal to another.** Shorting the battery terminals together may cause burns or a fire.
- d) **Under abusive conditions, liquid may be ejected from the battery; avoid contact. If contact accidentally occurs, flush with water. If liquid contacts eyes, additionally seek medical help.** Liquid ejected from the battery may cause irritation or burns.

- e) **Do not use a battery pack or tool that is damaged or modified.** Damaged or modified batteries may exhibit unpredictable behaviour resulting in fire/explosion or risk of injury.
- f) **Do not expose a battery pack or tool to fire or excessive temperature.** Exposure to fire or temperatures above 100 °C may cause explosion.
- g) **Follow all charging instructions and do not charge the battery pack or tool outside the temperature range specified in the instructions.** Charging improperly or at temperatures outside the specified range may damage the battery and increase the risk of fire.

5.7 Service

- a) **Have your power tool serviced by a qualified repair person using only identical replacement parts.** This will ensure that the safety of the power tool is maintained.
- b) **Never service damaged battery packs.** Service of battery packs should only be performed by the manufacturer or authorized service provider.

5.8 Hedge Trimmer / Garden Shears with Mounted Shrub Blades Safety Warnings

- a) **Keep all parts of the body away from the blade. Do not remove cut material or hold material to be cut when blades are moving.** Blades continue to move after the switch is turned off. A moment of inattention while operating the garden shears may result in serious personal injury.
- b) **Carry the garden shears by the handle with the blade stopped and taking care not to operate any power switch.** Proper carrying of the garden shears will decrease the risk of inadvertent starting and resultant personal injury from the blades.
- c) **When transporting or storing the garden shears, always fit the blade scabbard.** Proper handling of the garden shears will decrease the risk of personal injury from the blades.

- d) **When clearing jammed material or servicing the unit, make sure all power switches are off and the battery is disconnected.** Unexpected actuation of the garden shears while clearing jammed material or servicing may result in serious personal injury.
- e) **Hold the garden shears by insulated gripping surfaces only, because the blade may contact hidden wiring.** Cutter blades contacting a "live" wire may make exposed metal parts of the garden shears "live" and could give the operator an electric shock.
- f) **Keep all power cords and cables away from cutting area.** Power cords or cables may be hidden in hedges or bushes and can be accidentally cut by the blade.
- g) **Do not use the garden shears in bad weather conditions, especially when there is a risk of lightning.** This decreases the risk of being struck by lightning.

DANGER

- **Keep hands away from blade.** Contact with blade will result in serious personal injury.

6 IMPORTANT SAFETY INSTRUCTIONS

6.1 Introduction

This section contains the prescribed general safety warnings and instructions for handheld, motor-operated electric garden shears with mounted grass blades. Additional important warnings and instructions are provided in subsequent sections of this manual.

WARNING

- When using electric garden shears, basic safety precautions should always be followed to reduce the risk of fire, electric shock and personal injury, including the following:

READ ALL INSTRUCTIONS BEFORE USING THE GRASS SHEARS!

- 1) Avoid Dangerous Environment – Don't use garden shears in damp or wet locations.
- 2) Don't Use In Rain.
- 3) Keep Children Away – All bystanders should be kept at a distance from work area.
- 4) Dress Properly – Do not wear loose clothing or jewelry. They can be caught in moving parts. Heavy-duty work gloves (e.g. made of leather or other wear resistant material) and substantial footwear are recommended when working outdoors. Wear protective hair covering to contain long hair.
- 5) Use Safety Glasses – Always use face or dust mask if operation is dusty.
- 6) Use Right Tool – Do not use tool for any job except that for which it is intended.
- 7) Avoid Unintentional Starting – Do not carry garden shears with finger on the trigger switch.
- 8) Don't grasp the exposed cutting blades or cutting edges when picking up or holding the garden shears.
- 9) Don't Force Garden Shears – They will do the job better and with less likelihood of a risk of injury at the rate for which they were designed.
- 10) Don't Overreach – Keep proper footing and balance at all times.
- 11) Stay Alert – Watch what you are doing. Use common sense. Do not operate garden shears when you are tired.
- 12) Store Garden Shears Indoors – When not in use, garden shears should be stored indoors in a dry, locked place out of reach of children with the battery removed.
- 13) Maintain Garden Shears With Care – Keep cutting attachment clean for best performance and to reduce the risk of injury. Follow instructions for changing accessories. Keep handles dry, clean, and free from oil and grease.
- 14) Check Damaged Parts – Before further use of the garden shears, a guard or other part that is damaged should be carefully checked to determine that it will operate properly and perform its intended function. Check for alignment of moving parts, binding of moving parts, breakage of parts,

mounting, and any other condition that may affect its operation. A guard or other part that is damaged should be properly repaired or replaced by an authorized service center unless indicated elsewhere in this manual.

15) Keep hands away from blades.

SAVE THESE INSTRUCTIONS

6.2 Intended Use

⚠ WARNING

- These garden shears are designed for light-duty trimming of grass and ornamental shrubs in yards and gardens around the home. They are not intended to replace your hedge trimmer. Use of the garden shears for operations different than intended could result in serious injury or death.
 - Use the garden shears only for light-duty trimming tasks around the home and garden.
- Improper use could result in personal injury or property damage, including damage to the garden shears.
 - Use the garden shears, battery and charger only as described in this manual.
 - Never attempt to modify or override the garden shears' controls or safety devices in any way.
 - Never use garden shears that have been modified or altered from their original design.
- The STIHL AS series battery is designed for use only with compatible STIHL power tools.
- The STIHL AL 1 series charger is designed for charging STIHL AS series batteries only.

6.3 Operator

⚠ WARNING

- Working with the garden shears can be strenuous. The operator must be in good physical condition and mental health. To reduce the risk of personal injury from fatigue and loss of control:
 - Check with your doctor before using the garden shears if you have any health condition that may be aggravated by strenuous work.
 - Do not operate the garden shears while under the influence of any substance (drug, alcohol or medication, etc.) that might impair vision, balance, dexterity or judgment.
 - Be alert. Do not operate the garden shears when you are tired. Take a break if you become tired.
 - Do not permit minors to use the garden shears.
- According to STIHL's current knowledge, the electric motor of these garden shears should not interfere with a pacemaker.
 - However, persons with a pacemaker or other implanted medical device should consult their physician and device manufacturer before operating these garden shears.

6.4 Personal Protective Equipment

⚠ WARNING

- To reduce the risk of personal injury:
 - Always wear proper clothing and protective apparel, including proper eye protection.
- Loss of control and severe cut injuries may result if hair, clothing or apparel make contact with the moving cutting blades or otherwise become entangled in the components of the garden shears. To reduce the risk of severe personal injury:



- Wear sturdy and snug-fitting clothing that also allows complete freedom of movement.

- Avoid loose-fitting jackets, scarves, neckties, flared or cuffed pants, jewelry and any other apparel that could be caught on branches, brush or the moving cutting attachment.
- Secure hair above shoulder level before starting work.

- To reduce the risk of eye injury:



- Always wear goggles or close-fitting protective glasses with adequate side protection that are impact-rated and marked as complying with ANSI Z87 "+".

- Good footing is very important. To help maintain a secure footing and reduce the risk of injury while working:



- Wear substantial footwear with non-slip soles. Do not wear sandals, flip-flops, open-toed or similar footwear.

- To improve your grip and help protect your hands:



- Always wear heavy-duty non-slip work gloves made of leather or another wear-resistant material when handling the garden shears or the cutting blades.


6.5 Garden Shears

⚠ WARNING

- To reduce the risk of electric shock:



- Do not expose the garden shears to rain, water or excessive moisture.
- Never immerse the garden shears in water or other liquids.
- Store the garden shears indoors.

- The grass and shrub blades have many sharp cutters. Making contact with the cutters may result in serious laceration injuries, even if the cutting blades are not moving. To reduce the risk of such injuries:
 - Keep hands, feet and other parts of your body away from the cutting blades.
 - Never hold the material to be cut.
 - Never remove cut material without first releasing the trigger switch and removing the battery.
 - Wear heavy-duty work gloves when handling the garden shears or the grass or shrub blades.
 - The garden shears are operated with one hand. Keep your other hand away from the cutting area during operation. Never hold the material being cut while operating the garden shears.
 - Never touch the moving cutting blades with your hand or any other part of your body.
 - Cover the cutting blades with a blade scabbard before transporting or storing the garden shears to reduce the risk of inadvertent contact.
- These battery-powered garden shears are intended only for light-duty garden maintenance around the home. Use for other purposes may increase the risk of personal injury and property damage.
 - Do not attempt to cut any material other than grass, ornamental shrubs or similar soft vegetation. Do not cut thick stems, branches or heavy vegetation.
 - Read and follow the operating instructions in this manual for approved applications,  17.
- To reduce the risk of personal injury to the operator and bystanders:
 - Always release the trigger switch and remove the battery before assembling, transporting, adjusting, inspecting, cleaning, servicing, maintaining or storing the garden shears, and any other time they are not in use.
 - Release the trigger switch and remove the battery before clearing jammed material.



- Never leave the garden shears unattended when the battery is inserted.
- Although certain unauthorized attachments may fit STIHL garden shears, their use may be extremely dangerous. Only attachments supplied by STIHL or expressly approved by STIHL for use with this specific model are recommended.
 - Use only attachments supplied or expressly approved by STIHL.
 - Never modify these garden shears in any way.
 - Never attempt to modify or override the garden shears' controls or safety devices in any way.
 - Never use garden shears that have been modified or altered from their original design.
- If the garden shears are dropped or subjected to similar heavy impacts:
 - Check that they are undamaged, in good condition and functioning properly before continuing work.
 - Check that the controls and safety devices are working properly.
 - Check that the battery has not been damaged. Never use or charge a malfunctioning, damaged, cracked, leaking or deformed battery.
 - Never work with a damaged or malfunctioning battery or garden shears. In case of doubt, have the garden shears and battery checked by your authorized STIHL servicing dealer.
- If the garden shears or battery are damaged, not working properly, have been left outdoors, exposed to rain or damp conditions or dropped into water or other liquid, their

components may no longer function properly and safety devices may be inoperative. To reduce the risk of personal injury and property damage:


- Take the garden shears to your authorized STIHL servicing dealer to be checked before further operation.
- Genuine STIHL replacement parts are specifically designed to match your garden shears and meet safety and performance requirements. Use of parts that are not authorized or approved by STIHL may cause serious or fatal injury or property damage.
 - STIHL recommends that only identical STIHL replacement parts be used for repair or maintenance.

6.6 Using the Garden Shears

6.6.1 Before Operation

WARNING


- Misuse or unauthorized use may result in personal injury and property damage.
 - Use the garden shears only as described in this instruction manual.
- Using garden shears that are modified, damaged, improperly adjusted or maintained, or not completely and securely assembled can lead to a malfunction and increase the risk of serious personal injury or death.
 - Never operate garden shears that are modified, damaged, improperly maintained or not completely and securely assembled.
 - Always check your garden shears for proper condition and operation before starting work, particularly the retaining latch, trigger switch and cutting blades.
 - Ensure that the retaining latch and trigger switch move freely and spring back into place when released. The trigger switch must not engage until the retaining latch is unlocked.

- Never attempt to modify or override the controls or safety devices in any way.
- The cutting blades must move only when the battery is inserted, the retaining latch is unlocked and the trigger switch is depressed.
- If your garden shears or any part are damaged or do not function properly, take them to your authorized STIHL servicing dealer. Do not use the garden shears until the problem has been corrected.
- Before inserting the battery:
 - Check the contacts in the battery compartment for corrosion or other foreign matter and keep clean. If the socket is dirty or corroded, take the unit to your authorized STIHL servicing dealer before use.
 - Never insert or use a malfunctioning, damaged, cracked, leaking or deformed battery.
 - Read and follow the instructions on switching on the garden shears,  15.1.
- To help reduce the risk of serious personal injury or death from unintentional starting:
 - Be sure the retaining latch is in the locked position and the trigger switch is in the off position before inserting the battery.
 - Never carry the garden shears with your finger on the trigger switch.
 - Release the trigger switch before removing the battery.

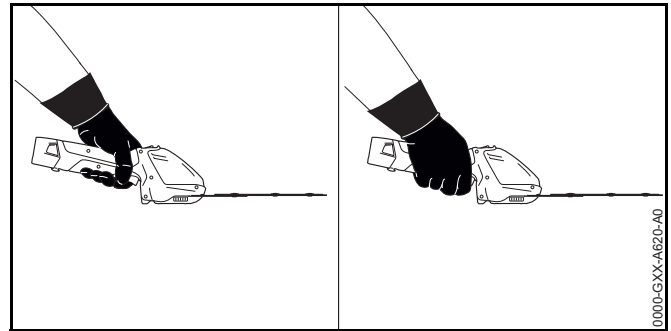


- Remove the battery before assembling, transporting, adjusting, inspecting, cleaning, servicing, maintaining or storing the garden shears, and any other time they are not in use.

- Never leave the garden shears unattended when the battery is inserted.
- Never store the battery in the garden shears.

- Before switching on your garden shears, take the following steps to reduce the risk of personal injury, loss of control or inadvertent contact:
 - Be sure that the cutting blades are clear of you and all other obstructions and objects, including the ground.
 - Never switch on the garden shears with material between the cutting blades.
 - Read and follow the instructions on switching on the garden shears,  15.1.

6.6.2 Holding and Controlling the Garden Shears



WARNING

- To maintain a firm grip and properly control your garden shears:
 - Keep the handle clean and dry at all times. Keep it free of moisture, pitch, oil, grease and resin.
- To reduce the risk of serious or fatal injuries to the operator or bystanders from loss of control:
 - Always hold the garden shears firmly with either your left or right hand when you are working.
 - Wrap your fingers tightly around the handle, keeping the handle cradled between your thumb and forefinger (see illustration).
 - Position the garden shears in such a way that all parts of your body are clear of the cutting attachment whenever the battery is inserted.

- To reduce the risk of serious or fatal cut injuries to the operator or bystanders from loss of control, keep proper footing and balance at all times:
 - Never work on a ladder, roof, in a tree or while standing on any other insecure support.
 - Take special care in overgrown or wet terrain and always watch for hidden obstacles such as tree stumps, roots, rocks, holes and ditches to avoid stumbling or falling.
 - Be extremely cautious when working on slopes or uneven ground.
 - For better footing, always clear away fallen branches, scrub, cuttings and other material, objects or vegetation that can increase the danger of slipping, tripping or falling.
 - Do not overreach. Keep proper footing and balance at all times.
- To reduce the risk of serious or fatal cut injuries to the operator or bystanders from blade contact:



- Keep hands, feet and other body parts away from the cutting blades.

- Do not touch the cutting blades while the battery is inserted.
- Never touch moving cutting blades with your hand or any other part of your body.



- If the cutting blades become jammed by thick branches or other obstructions, release the trigger switch and retaining latch immediately and remove the battery before attempting to free the blades.

6.6.3 Working Conditions

⚠ WARNING

- Operate your garden shears only under good visibility during favorable daylight conditions.
 - Postpone the work if the weather is windy, foggy, rainy or inclement.
- Your garden shears are a one-person machine.
 - Bystanders, especially children, and animals should not be allowed in the area where they are in use.
 - Switch off the garden shears immediately if you are approached.
- To reduce the risk of injury to bystanders and unauthorized users:
 - Never leave the garden shears unattended when the battery is inserted.
 - Switch off the garden shears and remove the battery during work breaks and any other time the garden shears are not in use.
- Sparks generated from operation of the garden shears may be capable of igniting combustible gases, liquids, vapors, dusts or other combustible materials and substances. To reduce the risk of fire and explosion:
 - Never operate the garden shears in a location where combustible gases, liquids, vapors, dusts or other combustible materials and substances are present.
 - Read and follow recommendations issued by government authorities (e.g., OSHA) for identifying and avoiding the hazards of combustible gases, liquids, vapors, dusts or other combustible materials and substances.
- Use of these garden shears (including sharpening the cutting blades) can generate dust and other substances containing chemicals known to cause respiratory problems, cancer, birth defects and other reproductive harm.
 - Consult governmental agencies such as EPA, OSHA, CARB and NIOSH and other authoritative sources on hazardous materials if you are unfamiliar

with the risks associated with the particular substances you are cutting or with which you are working.

- Inhalation of certain dusts, especially organic dusts such as mold or pollen, can cause susceptible persons to have an allergic or asthmatic reaction. Substantial or repeated inhalation of dust or other airborne contaminants, especially those with a smaller particle size, may cause respiratory or other illnesses.
 - Control dust at the source where possible.
 - Always work with properly sharpened cutting blades.
 - To the extent possible, operate the garden shears so that the wind or operating process directs any dust, mist or other particulate matter raised by the garden shears away from the operator.
 - When respirable dust or other particulate matter cannot be kept at or near background levels, always wear a respirator that is approved by NIOSH and rated for worksite-specific conditions. Follow the recommendations of governmental authorities (e.g., OSHA/NIOSH) and occupational and trade associations.
- If the vegetation being cut or the surrounding ground is coated with a chemical substance, such as pesticide or herbicide:
 - Read and follow the instructions and warnings that accompanied the substance coating the vegetation or surrounding ground.

6.6.4 Operating Instructions

WARNING

- To reduce the risk of serious or fatal cut injuries to the operator or bystanders from blade contact:



- Keep hands, feet and other body parts away from the cutting blades.
- The garden shears are operated with one hand. Keep your other hand away from the cutting area during operation. Never hold the material being cut while operating the garden shears.
- Do not touch the cutting blades while the battery is inserted.
- Never touch moving cutting blades with your hand or any other part of your body.
- Never hold the material to be cut. Never remove cut material without first releasing the trigger switch and removing the battery.
- Release the trigger switch and remove the battery before clearing jammed material.
- To reduce the risk of severe personal injuries from unintentional starting:
 - Never touch the cutting blades with your hand or any other part of your body when the battery is inserted, even when the cutting blades are not moving.



- If the cutting blades become jammed by branches or other obstructions, release the trigger switch and retaining latch immediately and remove the battery before attempting to free the blades.

- The cutting blades continue to move for a short period after the trigger switch is fully released.
 - Wait for the cutting blades to stop before walking with the garden shears or putting them down.
- In the event of an emergency:
 - Switch off the motor immediately and remove the battery.
- Contacting foreign objects while cutting could damage the cutting blades and may cause them to crack, chip, break or jam. To reduce the risk of severe personal injury or death from loss of control, and to reduce the risk of damage to the garden shears:
 - Inspect the material to be cut and the surrounding area for stones, fence wire, metal or other foreign objects before starting work. Do not use the garden shears in areas where the cutting blades could contact such objects.
 - Take particular care when cutting next to, against or near wire fences. Do not touch the wire with the cutting blades.
 - When working close to the ground, make sure that no sand, grit or stones get between the cutting blades.
 - Do not cut any areas of the hedge, bush, shrub or other vegetation that you cannot see.
- To reduce the risk of injury to bystanders:
 - Do not allow other persons in the general work area.
 - If cutting the top of a taller shrubs, check the other side of the shrub frequently for bystanders, animals and obstructions.
- Check the cutting blades at regular short intervals during operation, or immediately if there is a change in cutting behavior:
 - Switch off the garden shears and remove the battery.
 - Check the condition, tightness and sharpness of the cutting blades.
 - Inspect the garden shears for loose parts (nuts, screws, etc.) and for cracked, bent, warped or damaged cutting blades. Replace damaged cutting blades before using the garden shears.
 - Always keep the cutting blades sharp.
- To reduce blade friction and the buildup of dirt, which can interfere with the proper functioning of the garden shears:
 - STIHL recommends that you spray the cutting blades with a resin solvent, such as STIHL Resin Remover and Lubricant, before starting work.

DANGER

- To reduce risk of electrocution:



- Never operate these garden shears in the vicinity of any wires or cables that may be carrying electric current.
- Do not rely on the garden shears' insulation against electric shock.

7 Battery Safety


7.1 Warnings and Instructions

⚠ WARNING

- Use of unauthorized batteries can damage the garden shears and result in fire, explosion and personal injury and property damage.
 - Use only genuine STIHL AS series batteries.
- Use of STIHL AS series batteries for any purpose other than powering STIHL power tools could be extremely dangerous.
 - Use STIHL AS series batteries only to power compatible STIHL power tools.
- Use of unauthorized chargers can damage the battery and result in fire, explosion and personal injury and property damage.
 - Use only a genuine STIHL AL 1 series charger to charge STIHL AS series batteries.
- The battery contains safety features and devices which, if damaged, may allow the battery to generate heat, rupture, leak, ignite or explode.



- Never heat the battery above 212 °F (100 °C).
- Never incinerate or place the battery on or near fires, stoves or other high-temperature locations.
- Never use or charge a malfunctioning, damaged, cracked, leaking or deformed battery.
- Never open, disassemble, crush, drop, subject to heavy impact or otherwise damage the battery.
- Never expose the battery to microwaves or high pressures.
- Never insert objects into the battery's cooling slots.

- Extreme temperatures may cause the battery to generate heat, rupture, leak, ignite or explode, resulting in severe or fatal personal injury and property damage.
 - Never charge, use or store the battery outside the specified ambient temperature limits,  24.5.
 - Never store the battery in direct sunlight or inside a vehicle in hot weather.
- To reduce the risk of personal injury and property damage in the event the battery emits smoke, an unusual smell or feels unusually hot while using, charging or storing:
 - Immediately discontinue using or charging the battery. Contact the authorities in the event of fire or explosion.
- To reduce the risk of a short circuit, which could lead to electric shock, fire and explosion:





- Keep the battery dry. Protect it from rain, water, liquids and damp conditions.
- Never immerse the battery in water or other liquids.
- Never bridge the battery terminals with wires or other metallic objects.
- Keep a battery that is not in use away from metal objects (e.g., paper clips, nails, coins, keys).
- Never transport or store the battery in a metal container.
- Store the battery indoors in a dry room.
- Never store the battery in damp or corrosive environments or in conditions that could lead to corrosion of its metal components.
- Never store the battery in the garden shears or charger.
- Protect the battery from exposure to corrosive agents such as garden chemicals and de-icing salts.
- Protect the battery from exposure to conductive liquids such as salt water.
- Do not attempt to repair, open or disassemble the battery. There are no user-serviceable parts inside.

- Leaking battery fluid is potentially harmful and can cause skin and eye irritation, chemical burns and other serious personal injury.
 - Avoid contact with skin and eyes.
 - Use an inert absorbent such as sand on spilled battery fluid.
 - In the event of accidental contact, immediately rinse the contact area thoroughly with mild soap and water.
 - If fluid gets into your eye(s): Do not rub. Rinse water over the open eye(s) for at least 15 minutes and seek medical attention.
- A battery fire can be dangerous. To reduce the risk of severe personal injury and property damage in the event of fire:
 - Evacuate the area. Fire can spread rapidly. Stay clear of any vapors generated and maintain a safe distance.
 - Contact the fire department.
 - Although water can be used to put out a battery fire, use of a multi-purpose dry chemical fire extinguisher is preferable.
 - Consult the fire department regarding proper disposal of a burned battery.
- Dropping the battery could result in personal injury or property damage. To prevent the battery from falling during removal:
 - Use care when ejecting the battery.

8 Charger Safety

8.1 Warnings and Instructions

WARNING

- To reduce the risk of fire, electric shock and other personal injury or property damage:
 - Read and follow all cautionary markings on the charger, battery and garden shears and all instructions in this manual before using the charger.
 - Charge only genuine STIHL AS series batteries. Other batteries may burst, catch fire or explode, resulting in personal injury and property damage.
- 
- For indoor use only.
 - Keep the charger dry. Protect it from rain, water, liquids and damp conditions. Never insert a wet battery or use a wet charger.
 - Do not handle the charger, including power supply cord and plug, with wet hands.
 - Never use a damaged charger.
 - Never charge malfunctioning, damaged, cracked, leaking or deformed batteries.
 - Never store a battery in the charger.
 - Operate the charger only indoors, in dry rooms.
 - Operate the charger only within the specified ambient temperature limits,  24.5.
 - Keep the charger out of the reach of children.
 - Always plug the charger into a properly installed electrical outlet matching the voltage and electrical frequency stated on the charger.
 - Never use power strips to operate multiple chargers or other devices from the same outlet or on the same circuit.

- Do not operate a charger that has received a sharp or heavy blow, has been dropped or is otherwise damaged in any way.
- Do not attempt to repair, open or disassemble the charger. There are no user-serviceable parts inside.
- To reduce the risk of electric shock or fire from a short circuit:
 - Make sure the battery and charger are completely dry before starting the charging process.
 - Never bridge the contacts of the charger with wires or other metallic objects.
 - Do not insert any objects into the charger's cooling slots.
- The charger heats up during the charging process. To reduce the risk of fire:
 - Do not operate on a combustible surface (e.g., paper, cardboard, textiles) or in a combustible environment.
 - Allow the charger to cool down normally. Do not cover it.
- Chargers can produce sparks which may ignite combustible gases, liquids, vapors, dusts or other combustible materials. To reduce the risk of fire and explosion:
 - Do not operate in a location where combustible gases, liquids, vapors, dusts or other combustible materials are present.
- Using a damaged power supply cord or plug may result in fire, electric shock and other personal injury or property damage. To reduce these risks:
 - Check the charger's power supply cord and plug regularly for damage. If damaged, immediately disconnect the plug from the electrical outlet.
 - Have a damaged power supply cord replaced by an authorized STIHL servicing dealer.
 - Unplug the power supply cord from the outlet when the charger is not in use.
- Never jerk the power supply cord to disconnect it from the electrical outlet. To unplug, grasp the plug, not the power supply cord.
- Do not use the power supply cord for carrying or hanging up the charger.
- Make sure the power supply cord is located or marked so that it will not be stepped on, tripped over, come in contact with sharp objects or moving parts, or otherwise be subjected to damage or stress.
- An extension cord should not be used unless absolutely necessary. Overloading an extension cord can result in overheating and fire. If an extension cord must be used:
 - Use only a properly wired 16 gauge (AWG 16) or heavier gauge extension cord and the cord length should not exceed 75 ft.
 - Never connect more than one charger or other device to an extension cord.
 - Never use an extension cord with a wattage rating lower than the wattage on your charger's rating plate.
 - Never use an extension cord if the blades on its plug are different from the blades on the charger plug in number, size or shape.
 - Do not link (chain) extension cords.
- A typical household electrical circuit is between 15 and 20 amps. A single STIHL AL 1 charger draws approximately 0.275 amps. To reduce the risk of fire from overloading an electrical circuit:
 - Ensure the electrical system is rated to withstand the expected electrical draw before charging.
 - Charge multiple batteries one at a time or on separate circuits, unless you know your circuit can handle the total expected draw from multiple chargers.



- In case of fire, or if the charger or the battery it is charging emits smoke, an unusual smell, feels hot or appears abnormal in any other way:
 - Immediately disconnect the charger from the outlet. Contact the authorities in the event of fire or explosion.
- To reduce the risk of electric shock and other personal injury or property damage when mounting the charger:
 - Ensure that no electrical cables, pipes or other service lines run behind the wall where the charger is to be mounted.
 - Mount the charger only as described in this manual.
 - Remove the battery before mounting the charger.
- The cutting blades are the only user-serviceable parts of the garden shears. Proper maintenance will help maintain cutting performance and reduce the risk of personal injury.
 - Wear heavy-duty non-slip work gloves when handling the cutting blades.
 - Keep the cutting blades clean and sharp.
 - Tighten all nuts, bolts and screws after each use.
 - Never attempt to repair damaged cutting blades by welding, straightening or modifying the shape. This may cause parts of the cutting blades to experience uneven or excessive wear or other damage that can lead to a malfunction or breakage during operation, resulting in serious or fatal injuries.
- Use of parts that are not authorized or approved by STIHL may cause serious or fatal injury or property damage.
 - STIHL recommends that only identical STIHL replacement parts be used for repair or maintenance.
- To reduce the risk of electric shock:
 - Unplug the charger from the electrical outlet before inspecting or cleaning the charger.
 - Regularly check the charger and ensure that the insulation of the power supply cord and plug are in good condition and show no signs of aging (brittleness), wear or damage.
 - Replace the charger if the power supply cord becomes worn or damaged. The power supply cord cannot be repaired or replaced.

9 Maintenance, Repair and Storage

9.1 Warnings and Instructions

WARNING

- There are no user-authorized repairs for the garden shears, battery or charger. To reduce the risk of fire, electric shock or other personal injury and property damage:
 - Users may carry out only the cleaning and maintenance operations described in this manual.
 - Strictly follow the cleaning and maintenance instructions in the appropriate sections of this instruction manual.
 - STIHL recommends that all repair work be performed by authorized STIHL servicing dealers.
- Unintentional starting may result in personal injury or property damage. To reduce the risk of personal injury or property damage from unintentional starting:






- Remove the battery before inspecting the garden shears or carrying out any cleaning, maintenance or repair work, before storing, and any other time the garden shears are not in use.

- To reduce the risk of short circuit and fire:
 - Keep the battery guides free of foreign matter. Clean as necessary with a dry cloth or soft, dry brush.
- Improper storage can result in unauthorized use, damage to the garden shears, battery and charger, and an increased risk of fire, electric shock and other personal injury or property damage.
 - Remove the battery from the garden shears before storing.
 - Never store the garden shears and charger with the battery inserted.
 - Before storing, always unplug the charger from the electrical outlet and remove the battery.
 - Store the garden shears, battery and charger indoors in a dry, secure place that cannot be accessed by children or other unauthorized users.
 - Never store the battery in the garden shears, in the charger, in a metal container or in a container with metal objects (e.g., paper clips, nails, coins, keys).

10 Before Starting Work

10.1 Preparing the Garden Shears for Operation



Before starting work:

- ▶ Fully charge the battery,  11.
- ▶ Mount the shrub blades or the grass blades,  13.1.
- ▶ Check the controls for proper function and condition,  16.
- ▶ Check the cutting attachment for damage or other problems.

11 Charging the Battery

11.1 Setting up the Charger

WARNING


Read and follow the safety precautions on the battery and charger and the warnings and instructions in this manual,  6. To reduce the risk of short circuit, which could lead to electric shock, fire and explosion, make sure the charger and its components are dry and not damaged; operate the charger indoors at an appropriate ambient temperature,  6.

WARNING

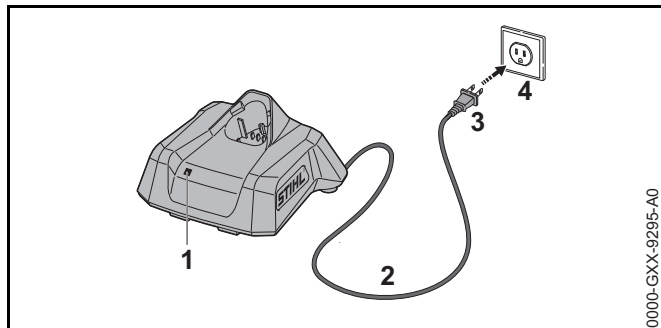
A typical household electrical circuit is between 15 and 20 amps. A single STIHL AL 1 charger draws approximately 0.275 amps. To reduce the risk of fire from overloading an electrical circuit:

- ▶ Ensure the electrical system is rated to withstand the expected electrical draw before charging your battery.
- ▶ Charge multiple batteries one at a time or on separate circuits, unless you know your circuit can handle the total expected draw from multiple chargers.

WARNING

Since the battery and charger heat up during the charging process, do not operate the charger on a combustible surface or in a location where combustible gases, liquids, vapors, dusts or other materials are present,  6.

To set up the charger:



- ▶ Insert the plug (3) into a properly installed electrical outlet (4) matching the voltage and electrical frequency stated on the charger's rating plate.

The charger runs a self-test immediately after it is plugged in. The LED (1) will glow green for about 1 second, then it will glow red briefly before going out. Once the LED goes out, the self-test is complete and the charger is ready to charge the battery.

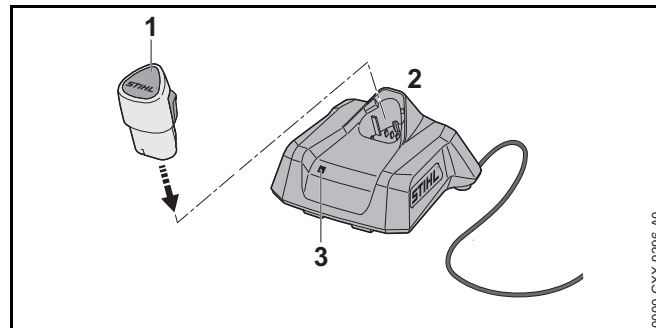
- ▶ Position the power supply cord (2) so that it will not be stepped on, tripped over, come in contact with sharp objects or moving parts or otherwise be subjected to damage or stress.

11.2 Charging

! WARNING

STIHL batteries contain safety features and devices which, if damaged, may allow the battery to generate heat, rupture, leak, ignite or explode. Never charge a malfunctioning, damaged, cracked, leaking or deformed battery or use a charger that has been damaged, 6. Make sure the charger and the battery to be charged are both completely dry before charging, 8.1. Follow all product-specific warnings and instructions accompanying your battery.

To charge the battery:



- ▶ Push the battery (1) into the charger (2) until it stops. The LED on the charger (3) glows or flashes green when the battery is charging.

When the LED on the charger goes out, the charging process is complete and the charger will shut itself off. The battery can be removed from the charger.

- ▶ Disconnect the power supply cord from the electrical outlet when the charger is not in use for extended periods of time.

A battery is not fully charged when it ships from the factory. STIHL recommends that you fully charge the battery before using it the first time.

Operate the charger indoors in a dry room. For optimum performance, observe the recommended ambient temperature ranges, 24.6.

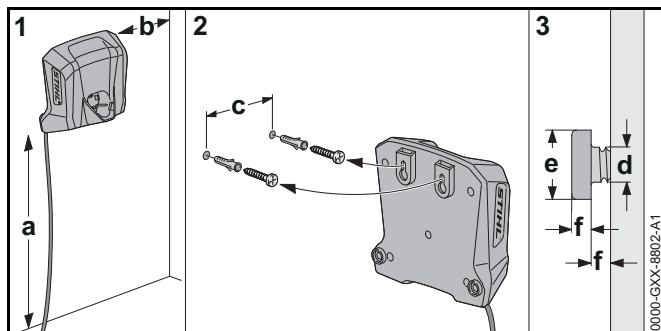
The battery heats up during operation. If a hot battery is inserted into the charger, it may be necessary for it to cool down before charging starts. The charging process begins only after the battery has cooled down sufficiently.

Charging time depends on a number of factors, including battery condition and the ambient temperature. For a complete list of approximate charging times, see www.stihl.com/charging-times.

11.3 Mounting the Charger on a Wall

Before mounting, ensure that no electrical cables, pipes or other service lines run in the wall behind the charger.

To mount the wall charger:



- ▶ Mount the charger indoors in a dry room near an electrical outlet.
- ▶ Sink the screws into a wall stud. Use appropriate screw-in wall anchors or other similar mounting devices if an appropriate wall stud is not available.
- ▶ Align the charger as shown above. Mount to a wall with the following dimensions:
 - a = minimum 18 in. (450 mm)
 - b = minimum 3.9 in. (100 mm)
 - c = 2.1 in. (54 mm)
 - d = 0.2 in. (4.5 mm)
 - e = 0.4 in. (9 mm)
 - f = 0.1 in. (2.5 mm)

12 LED Diagnostics

12.1 LEDs on the Garden Shears

12.1.1 Garden Shears Status

The LEDs on the garden shears show the status of the power tool.

If three LEDs glow red continuously: the garden shears motor is too hot. Allow the motor to cool down.

If three LEDs flash red when you activate the trigger switch: the garden shears has an electrical malfunction. Do not operate the garden shears. Have it checked by an authorized STIHL servicing dealer before use or storage.

For troubleshooting information, 23.

12.1.2 Battery Status

The same LEDs on the garden shears also indicate the status of the battery.

These LEDs can glow or flash green or red.

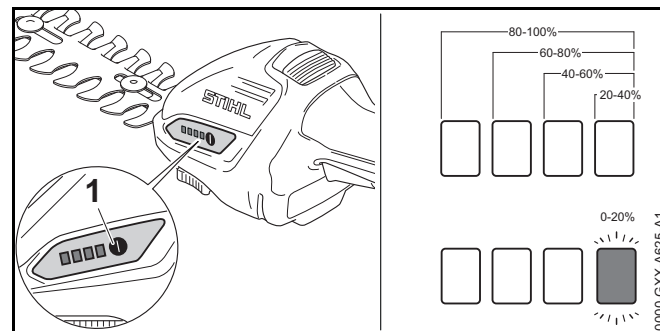
If one LED glows red continuously: the battery is either too hot or too cold. Allow the battery to warm up or cool down gradually at an ambient temperature of about 50 °F to 68 °F (10 °C to 20 °C).

If all 4 LEDs flash red: the battery has a malfunction and must be replaced. Do not attempt to charge, use or store the battery.

12.1.3 Charge Status

The LEDs on the garden shears also show the battery's state of charge.

To determine the battery's state of charge:



- ▶ Insert the battery.
- ▶ Press the button (1).
The LEDs on the garden shears will glow or flash green for about 5 seconds and indicate the state of charge (see illustration).

For example:

If four green LEDs glow continuously: full charge.

If one green LED is flashing: less than 20 % charge.

12.2 LED on the Charger

One LED shows the status of the charger and battery. The LED can glow or flash green or red.



If the LED glows green continuously or flashes green: the battery is being charged.



If the LED flashes red: there is no contact between the battery and the charger. Remove and reinsert the battery.

or

The battery has a malfunction and must be replaced. Do not use or charge the battery.

or

The charger has a malfunction. Have it checked by an authorized STIHL servicing dealer before use.

If the LED glows red continuously: The battery is too hot or too cold for charging. Allow the battery to warm up or cool down gradually at an ambient temperature of about 50 °F to 68 °F (10 °C to 20 °C).

For more information, 23.

13 Mounting and Removing a Cutting Attachment

13.1 Mounting the Cutting Attachment

WARNING

Make sure the battery is removed before starting assembly.

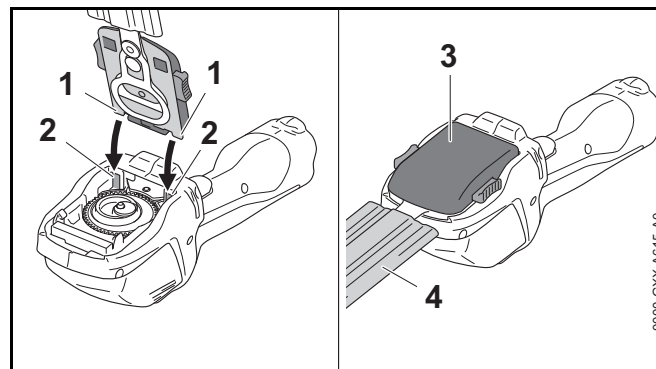
WARNING

Making contact with the cutters may result in serious cut injuries, even if the cutting blades are not moving. 6.5. Always wear heavy-duty work gloves when mounting or otherwise handling the cutting blades, 6.4.

The grass blades and shrub blades are mounted to the garden shears in the same way.

To mount the cutting blade:

- ▶ Switch off the garden shears, 15.2.
- ▶ Remove the battery, 14.2.
- ▶ Slide a blade scabbard over the cutting blades so that it covers the entire cutting attachment.

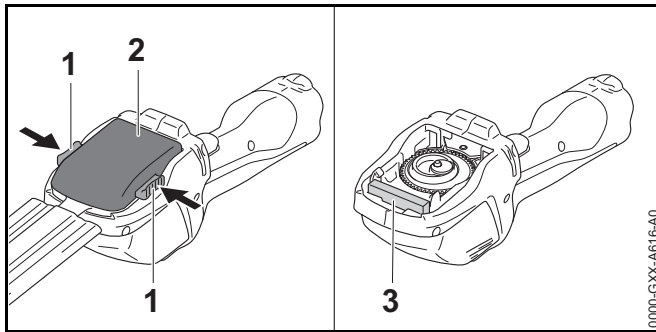


- ▶ Insert the clips (1) of the cutting attachment into the guides (2) on the garden shears.
- ▶ Move the other end of the cutting attachment (3) downward and press firmly until you hear an audible click.
- ▶ Remove the blade scabbard (4).

13.2 Removing the Cutting Attachment

To remove the cutting attachment:

- ▶ Switch off the garden shears, 15.2.
- ▶ Remove the battery, 14.2.
- ▶ Slide a blade scabbard over the cutting blades so that it covers the entire cutting attachment.



- ▶ Press down on the locking levers (1) to unlock cutting attachment (2).
- ▶ Lift up to remove the cutting attachment.

NOTICE

A piece of foam (3) is designed to protect the gear from dirt during operation. This piece of foam is firmly attached to the garden shears and cannot be removed.

14 Inserting and Removing the Battery

14.1 Inserting the Battery

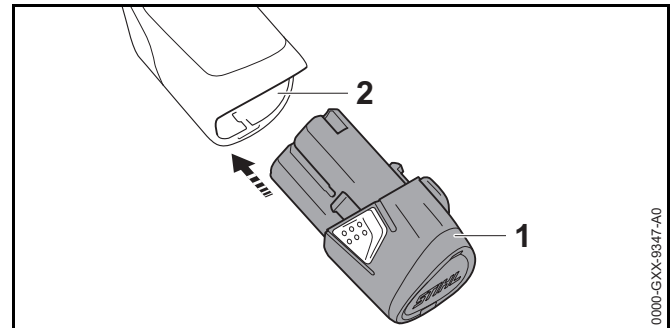
⚠ WARNING

Never use a malfunctioning, damaged, cracked, leaking or deformed battery, 7. Never charge, use or store the battery outside the specified ambient temperature limits, 24.5.

⚠ WARNING

To reduce the risk of unintended activation, never store the battery in the garden shears, 20.2.

To insert the battery:



- ▶ Push the battery (1) into the battery compartment (2) until it stops.
The battery is properly inserted when you hear an audible click.

Since a new battery is not fully charged, STIHL recommends that you fully charge the battery before using it the first time, 11.

14.2 Removing the Battery

⚠ WARNING

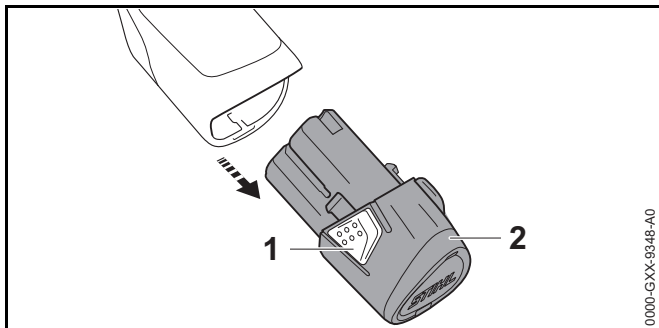
To reduce the risk of severe personal injury from unintended activation, always remove the battery before assembling, transporting, adjusting, cleaning, servicing, maintaining or storing the garden shears, and any other time it is not in use.

⚠ WARNING

Use care when ejecting the battery to prevent it from falling and causing personal injury or property damage.

To remove the battery:

- ▶ Release the trigger switch.



- ▶ Compress the locking levers (1) on both sides and pull out the battery (2).



NOTICE

Avoid exposing the battery to excessive heat or prolonged periods of direct sunlight. Use or storage outside the recommended ambient temperature range can reduce the performance of the battery.

15 Switching the Garden Shears On and Off



15.1 Switching On

⚠ WARNING

To reduce the risk of serious or fatal injuries to the operator or bystanders from blade contact, keep hands, feet and other parts of the body away from the cutting blades,  6.6.2. Do not touch the cutting blades while the battery is inserted. Never touch moving cutting blades with your hand or any part of your body,  6.6.4.

⚠ WARNING

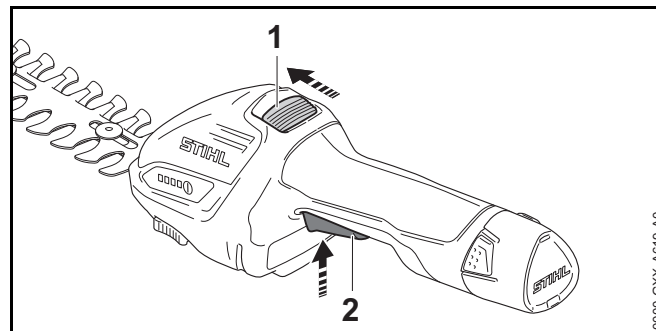
Never operate your garden shears if they are modified, damaged, improperly adjusted or maintained, not completely and securely assembled or not functioning

properly,  6.5. To reduce the risk of personal injury, always wear proper clothing and protective apparel, including proper eye protection, when operating your garden shears,  6.4.

Before switching on:

- ▶ Make sure you have a secure and firm footing.
- ▶ Stand upright.
- ▶ Always hold and operate the garden shears with one hand firmly on the control handle. Keep your other hand clear of the cutting attachment.

To switch the garden shears on:



- ▶ Unlock the retaining latch (1) by pushing it forward with your thumb. Hold it in this unlocked position.
- ▶ Squeeze the trigger switch (2) with your index finger. The cutting blades will start moving.

The motor will not switch on unless the retaining latch is unlocked and the trigger switch is pressed. Once the cutting attachment is activated, you may release the retaining latch.

15.2 Switching Off

⚠ WARNING

The cutting blades will continue to move for a short while after the trigger switch is released. To avoid serious or fatal injury, avoid contact with the moving cutting blades. To reduce the risk of personal injury from unintended activation

or unauthorized use, switch off the motor, ensure the cutting blades have stopped and remove the battery before transporting or putting the garden shears down.

To switch the garden shears off:

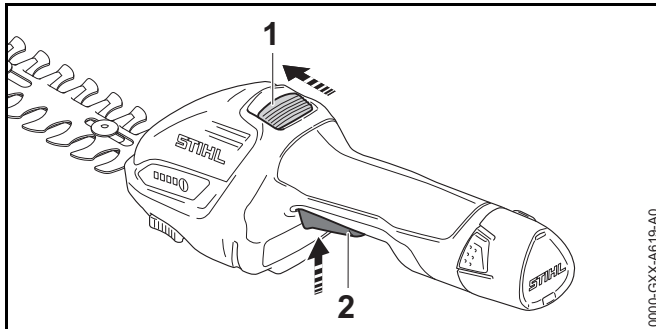
- ▶ Release the trigger switch.
Once the trigger switch and retaining latch have been released, the retaining latch will return to its locked position and activation of the trigger switch will be blocked.

The cutting blades will continue to move for a short time after the trigger switch is released. Take care to avoid contact after releasing the trigger switch and when setting down the garden shears.

16 Checking the Controls

16.1 Testing the Controls

Before starting work, confirm that the retaining latch (1) and trigger switch (2) are undamaged and functioning properly:



Retaining Latch (1) and Trigger Switch (2)

! WARNING

To reduce the risk of serious or fatal injuries, keep hands, feet and other parts of the body away from the cutting blades. Do not touch the cutting blades while the battery is

inserted. Never touch moving cutting blades with your hand or any part of your body, 6.6.2. Keep bystanders out of the area while testing the controls.

To test the retaining latch and trigger switch:

- ▶ Remove the battery.
- ▶ Unlock the retaining latch by pushing it forward with your thumb.
- ▶ Hold the retaining latch in the unlocked position.
- ▶ Depress the trigger switch momentarily.
- ▶ Release the retaining latch and trigger switch.
The retaining latch and trigger switch should return to their respective locked positions. If they do not, take the garden shears to an authorized STIHL servicing dealer to be repaired before use.

If you can depress the trigger switch without first unlocking the retaining latch take the garden shears to an authorized STIHL servicing dealer to be repaired before use.

17 During Operation

17.1 Cutting Shrubs

! WARNING

To reduce the risk of personal injury, never work with the garden shears in the rain or in wet or damp conditions, 6.5. Always wear proper clothing and protective apparel, including proper eye protection, 6.4. Work carefully and maintain proper control of the garden shears, 6.6.2.

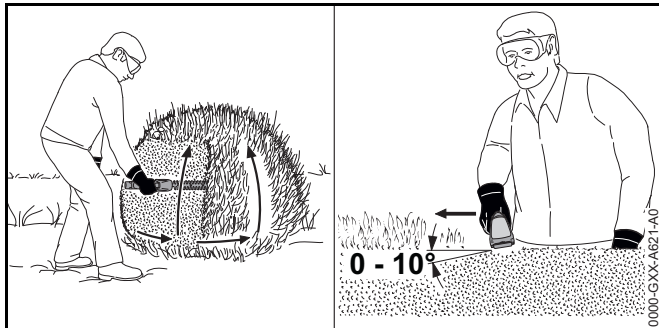
! WARNING

To avoid serious or fatal injury, avoid contact with the moving cutting blades. Never hold the material to be cut. Never remove cut material without first releasing the trigger switch and removing the battery. Release the trigger switch and remove the battery before clearing jammed material, 6.6.4.

The garden shears are designed for one-handed operation.

- ▶ Mount the shrub blades, 13.1.

- ▶ Before starting work with the garden shears, remove thick branches with a hand pruning saw, loppers, chain saw or other appropriate tool.



Cutting in a Vertical Plane

- ▶ Move the shears from the bottom of the shrub upwards in a controlled arc (see illustration above).
- ▶ Lower the nose of the cutting attachment, move along the shrub and move the cutting attachment up again in a controlled arc.

Cutting in a Horizontal Plane

- ▶ Hold the cutting attachment at an angle of 0° to 10° as you move the cutting attachment horizontally, using both sides of the cutting attachment (see illustration above).

For optimum performance, observe the recommended ambient temperature ranges, 24.6.

Observe all applicable laws, regulations, standards and ordinances.

17.2 Cutting Grass

WARNING

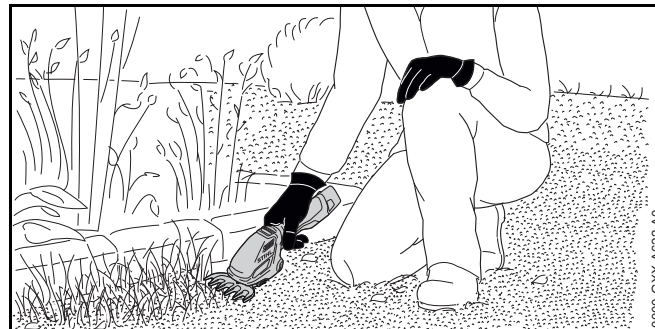
To reduce the risk of personal injury, never work with the garden shears in the rain or in wet or damp conditions, 6.5. Always wear proper clothing and protective apparel, including proper eye protection, 6.4. Keep bystanders away from the work area, 6.6.4. Work carefully and maintain proper control of the garden shears, 6.6.2.

WARNING

To avoid serious or fatal injury, avoid contact with the moving cutting blades. Never hold the material to be cut. Never remove cut material without first releasing the trigger switch and removing the battery. Release the trigger switch and remove the battery before clearing jammed material, 6.6.4.

The garden shears are designed for one-handed operation.

- ▶ Mount the grass blades, 13.1.



- ▶ Guide the garden shears parallel to the ground (see illustration above).
- ▶ Move forward slowly.

For optimum performance, observe the recommended ambient temperature ranges, 24.6.

Observe all applicable laws, regulations, standards and ordinances.



18 After Finishing Work

18.1 Preparing for Transportation or Storage

WARNING

To reduce the risk of personal injury from unintended activation or unauthorized use, switch off the motor, ensure the cutting blades have stopped and remove the battery before transporting the garden shears or putting them down.

To prepare the garden shears for transportation or storage:

- ▶ Switch off the garden shears,  15.2.
- ▶ Remove the battery,  14.2.
- ▶ Slide a blade scabbard over the cutting blades so that it covers the entire cutting attachment.
- ▶ If the garden shears or battery became wet during operation, allow them to dry completely before charging or storing.

19 Transporting the Garden Shears and Battery

19.1 Garden Shears

WARNING

Cover the entire length of the cutting blades with a blade scabbard before transporting or storing the garden shears to reduce the risk of cut injuries from inadvertent contact.


When transporting the garden shears:

- ▶ Slide or fold over a blade scabbard over the cutting blades so that it covers the entire cutting attachment.
- ▶ When transporting the garden shears by hand, hold it by the control handle. Avoid contact with the cutting attachment.
- ▶ When transporting the garden shears in a vehicle, cover the entire length of the cutting attachment with a blade scabbard and insert the garden shears securely in the carrying bag (if available). Secure and position the garden shears to prevent turnover, impact and damage.

Your garden shears come standard with two blade scabbards, one for the shrub blades and one for the grass blades.

19.2 Battery

WARNING

To reduce the risk of a short circuit, which could lead to electric shock, fire and explosion, never transport the battery in a metal container or near metal objects (e.g., paper clips, nails, coins, keys),  7.

When transporting the battery:

- ▶ Place the battery in a non-metal container or carton and secure it against impact or damage. Never transport the battery in a metal or other container that is capable of conducting electricity, or near metal objects (e.g., paper clips, nails, coins, keys).
- ▶ If you are transporting the battery in a vehicle, secure it and its container to prevent turnover, impact and damage.

STIHL batteries comply with the requirements set forth in UN-Manual ST/SG/AC.10/11/Rev.5/Part III, Subsection 38.3.

Commercial air, vessel and ground transportation of lithium ion cells and batteries is regulated. The battery is classified as a UN 3480, Class 9, packaging group II product. Shipping it, either as a complete tool or the battery, requires compliance with all applicable shipping regulations. Check with the ground, vessel, air cargo or passenger airline to determine if transport is prohibited or subject to restrictions or exemptions prior to shipping or travel.


Normally, no further conditions have to be met by the user in order to transport STIHL batteries by road to the power tool's operating site. Check and comply with any special regulations that may apply to your situation.

For further information please go to www.stihlusa.com/battery-transportation-safety.

19.3 Charger

To properly transport the charger:



- ▶ Disconnect the charger from the electrical outlet.
- ▶ Remove the battery from the charger.

- ▶ Wrap the power supply cord and attach it to the charger,  20.3.
- ▶ When transporting the charger in a vehicle, ensure that it is secured in a manner that prevents turnover, impact and damage.



20 Storing the Garden Shears, Battery and Charger

20.1 Garden Shears

WARNING



Store the garden shears indoors in a dry, secure place that is inaccessible to children and other unauthorized users,  9. Never store the battery in the garden shears or charger. Improper storage can result in unauthorized use and damage to the garden shears,  9.

When storing the garden shears:

- ▶ Clean the garden shears,  21.1.
- ▶ Clean the cutting blades,  21.2.
- ▶ Store the garden shears indoors in a dry and secure location, out of the reach of children and other unauthorized persons.



20.2 Battery

WARNING

To reduce the risk of a short circuit, which could lead to electric shock, fire and explosion, never store the battery in a metal container or near metal objects,  7. If the battery is damp or wet, allow it to dry thoroughly before storing,  7.

WARNING

Extreme temperatures can damage the battery and may also cause the battery to generate heat, rupture, leak, ignite or explode, resulting in severe or fatal personal injury or property damage. Never charge, use or store the battery

outside the specified ambient temperature limits,  24.5. Never store the battery in direct sunlight or inside a vehicle in hot weather,  7.

To properly store the battery:

- ▶ Remove the battery from the garden shears or the charger.
- ▶ Make sure the battery is dry and store it indoors in a dry and secure location.
- ▶ Keep it out of the reach of children and other unauthorized persons.
- ▶ Protect the battery against dampness and corrosive agents such as garden chemicals and de-icing salts.
- ▶ Protect the battery from exposure to conductive liquids such as salt water.
- ▶ For maximum battery life, store the battery at an ambient temperature between 50 °F and 68 °F (10 °C and 20 °C) with a charge between 40 % and 60 % (2 green LEDs).
- ▶ Do not leave spare batteries unused. Use them in rotation.

NOTICE

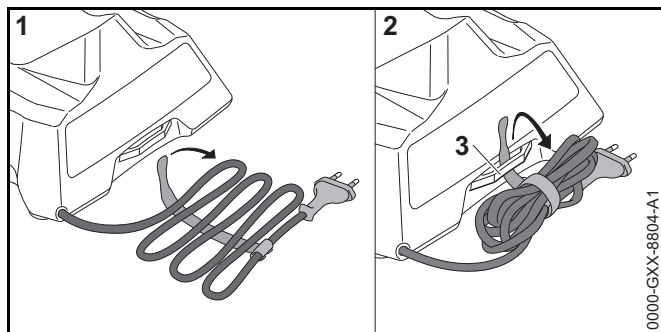
A battery that is not stored properly may experience deep discharge, which can result in permanent damage. To avoid deep discharge:

- ▶ Charge the battery before storing. For maximum battery life, store the battery with a charge between 40 % and 60 % (2 green LEDs).
- ▶ Remove the battery from the garden shears after finishing work.
- ▶ Remove the battery from the charger after charging is complete.
- ▶ For maximum battery life, store the battery at an ambient temperature between 50 °F and 68 °F (10 °C and 20 °C).

20.3 Charger

To properly store the charger:

- ▶ Disconnect the charger from the electrical outlet.
- ▶ Remove the battery from the charger.



- ▶ Wrap the power supply cord and attach it to the charger.
- ▶ Store the charger indoors in a dry and secure location.
- ▶ Keep it out of the reach of children and other unauthorized persons.
- ▶ Never hang the charger by its power supply cord or cord bracket (3).

21 Cleaning

21.1 Cleaning the Garden Shears, Battery and Charger

! WARNING

To reduce the risk of personal injury from unintended activation, remove the battery before carrying out any cleaning work, 9. Users of these garden shears should carry out only the cleaning described in this manual.

To clean the garden shears, battery and charger:

- ▶ Clean the garden shears' polymer components with a slightly dampened cloth. Do not use detergents or solvents. They may damage the polymer components.
- ▶ Do not use a pressure washer to clean the garden shears or otherwise spray it with water or other liquids.
- ▶ Keep the battery housing and guides free from foreign matter and clean as necessary with a soft brush or soft, dry cloth.

- ▶ Keep the charger housing and electrical contacts free from foreign matter. Clean as necessary with a soft brush or soft, dry cloth. Always unplug the charger before cleaning.

21.2 Cleaning the Cutting Blades

! WARNING

To reduce the risk of personal injury from unintended activation, remove the battery before carrying out any cleaning work, 9. Users of this garden shears should carry out only the cleaning described in this manual. To help prevent injuries, always wear heavy-duty work gloves when handling the garden shears or the cutting blades, 6.4.

To clean the cutting blades:

- ▶ Spray both sides of the cutting blades with a resin solvent, such as STIHL Resin Remover and Lubricant.
- ▶ Insert the battery and switch on the garden shears for a few seconds to evenly distribute the resin solvent throughout the cutting blades.
- ▶ Do not use a pressure washer to clean the cutting blades or spray them with water or other liquids.

22 Inspection and Maintenance

22.1 Garden Shears

! WARNING

To reduce the risk of personal injury from unintended activation, remove the battery before inspecting the garden shears or carrying out any maintenance, 9. Carry out only the maintenance operations described in this manual. There are no user-authorized repairs. STIHL recommends that repair work be performed by authorized STIHL servicing dealers.



Proper maintenance of the garden shears includes the following activities:

- ▶ Sharpen the cutting blades.
- ▶ Replace worn or damaged cutting blades.
- ▶ Have worn, missing or damaged safety labels replaced by an authorized STIHL servicing dealer.

If you make a warranty claim for a component that has not been serviced or maintained properly, coverage may be denied.

22.2 Cutting Blades

⚠ WARNING


To reduce the risk of personal injury from unintended activation, remove the battery before inspecting the cutting blades or carrying out any maintenance,  9. To help prevent injuries, always wear heavy-duty work gloves when handling the garden shears or the cutting blades,  6.4. STIHL recommends having the cutting blades sharpened by an authorized STIHL servicing dealer.

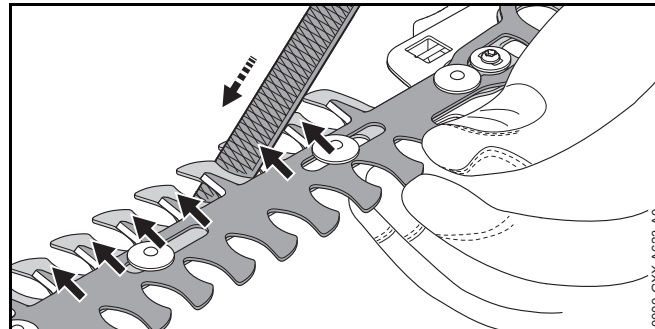
Although it is best to have the cutting blades sharpened by a dealer, it is possible to use a flat, crosscut sharpening file to sharpen the cutting blades.


Sharpen the cutting blades when cutting performance begins to deteriorate, i.e., blades frequently snag on branches or fail to cut material cleanly.

Shrub Blades

To sharpen the shrub blades with a file:


- ▶ Remove the shrub blades from the garden shears,  13.2.

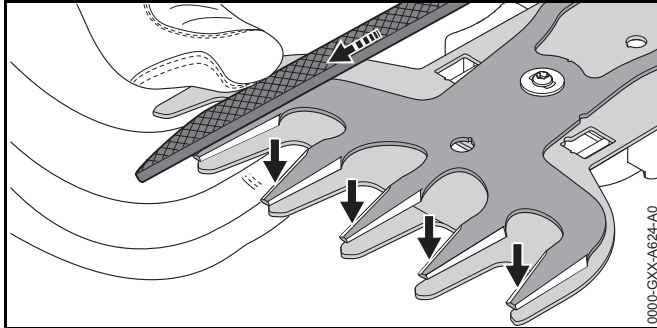




- ▶ Sharpen each cutting edge of the upper shrub cutting blade with a sharpening file. Always file toward the cutting edge with a forward motion. The file only sharpens on the forward stroke. Lift off the blade on the backstroke.
- ▶ Only sharpen the cutting edges. Do not file blunt projecting parts of the cutting attachment, or the cutting blade guard. Make sure your sharpening stroke matches the sharpening angle,  24.2.
- ▶ Turn the shrub blades over and sharpen the cutting edges of the lower shrub cutting blade.
- ▶ Use a whetstone to remove any burrs from the cutting edges. Remove as little material as possible.
- ▶ After sharpening, wipe away filing or grinding dust with a dry or slightly dampened cloth and then spray the cutting blades with a resin solvent, such as STIHL Resin Remover and Lubricant.

Grass Blades

To sharpen the grass blades with a file:

- ▶ Remove the grass blades from the garden shears,  13.2.



- ▶ Move the upper grass cutting blade fully in one direction so that one side of the cutting edges is easily accessible.
- ▶ Sharpen each accessible cutting edge of the upper grass cutting blade with a sharpening file. Always file toward the cutting edge with a forward motion matching the sharpening angle,  24.2. Sharpen on the forward stroke. Lift off the blade on the backstroke.
- ▶ Only sharpen the cutting edges. Do not file blunt projecting parts of the cutting attachment, or the cutting blade guard. Make sure your sharpening stroke matches the sharpening angle,  24.2.
- ▶ Move the upper grass cutting blade fully in the other direction so that the other side of the cutting edges is easily accessible and sharpen the rest of the cutting edges.
- ▶ Use a whetstone to remove any burrs from the cutting edges. Remove as little material as possible.
- ▶ After sharpening, wipe away filing or grinding dust with a dry or slightly dampened cloth and then spray the cutting blades with a resin solvent, such as STIHL Resin Remover and Lubricant.









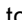
NOTICE

Operating the machine with dull or damaged cutting blades may overload the motor. Keeping the cutting blades sharp helps maintain cutting performance and the expected life of the product.



23 Troubleshooting Guide

23.1 Garden Shears and Battery

Always remove the battery before carrying out any inspection, cleaning or maintenance.

Condition	LEDs on Garden Shear	Possible Cause	Remedy
Garden shears do not start when switched on.		No electrical contact between garden shears and battery.	<ul style="list-style-type: none"> ▶ Remove the battery,  14.2. ▶ Visually check the electrical contacts in the battery compartment and on the battery. ▶ Reinsert the battery,  14.1.
	1 LED flashes green.	Battery has low charge.	▶ Charge the battery,  11.
	1 LED glows red.	Battery too hot / too cold.	▶ Allow the battery to warm up or cool down gradually at ambient temperatures of about 50 °F to 68 °F (10 °C to 20 °C).
	4 LEDs flash red.	Malfunction in battery.	<ul style="list-style-type: none"> ▶ Remove the battery and reinsert it,  14. ▶ Switch on the garden shears,  15.1. ▶ If the LEDs continue to flash, do not attempt to use. The battery has a malfunction and must be replaced.
	3 LEDs glow red.	Garden shears too hot.	▶ Allow the garden shears to cool down.
	3 LEDs flash red.	Malfunction in garden shears.	<ul style="list-style-type: none"> ▶ Remove the battery and reinsert it,  14 ▶ Switch on the garden shears,  15.1. ▶ If the LEDs still flash, do not attempt to use. The garden shears has a malfunction and must be checked by a servicing dealer.
		Cutting blades are not clean and lubricated.	<ul style="list-style-type: none"> ▶ Clean the cutting blades,  21.2. ▶ If the LEDs still flash, do not attempt to use. The hedge trimmer has a malfunction and must be checked by a servicing dealer.
Garden shears cut out during operation.	1 LED glows red.	Battery too hot / too cold.	▶ Remove the battery,  13.2.
	3 LEDs glow red.	Garden shears too hot.	▶ Allow the garden shears and battery to warm up / cool down gradually at ambient temperatures of about 50 °F to 68 °F (10 °C to 20 °C).

Always remove the battery before carrying out any inspection, cleaning or maintenance.

Condition	LEDs on Garden Shear	Possible Cause	Remedy
Run-time is too short.		Battery not fully charged.	▶ Charge the battery,  11.
		Useful life of battery has been reached or exceeded.	▶ Have the battery checked by an authorized STIHL servicing dealer.
Battery is not being charged even though LED on charger glows green.	1 LED glows red.	Battery too hot / too cold.	<ul style="list-style-type: none"> ▶ Allow the battery to warm up or cool down gradually at ambient temperatures of about 50 °F to 68 °F (10 °C to 20 °C). ▶ Operate the charger indoors in a dry room. For optimum performance, observe the recommended ambient temperature ranges,  24.6.

23.2 Charger

Condition	LED on Charger	Cause	Remedy
Battery is not being charged.	LED glows red.	Battery too hot / too cold.	▶ Allow the battery to warm up or cool down gradually at ambient temperatures of about 50 °F to 68 °F (10 °C to 20 °C).
	LED flashes red.	No electrical contact between charger and battery.	▶ Remove the battery and reinsert it into the charger.
		Malfunction in charger.	<ul style="list-style-type: none"> ▶ Do not use the charger. ▶ Have the charger checked by an authorized STIHL servicing dealer.
		Malfunction in battery.	<ul style="list-style-type: none"> ▶ Do not use the battery. ▶ Have the battery checked by an authorized STIHL servicing dealer.
The charger does not run a self-test.	The LED glows not green for about 1 second and then red for about 1 second.	Electrical contact to charger was briefly interrupted.	<ul style="list-style-type: none"> ▶ Disconnect the plug from the electrical outlet. ▶ Wait 1 minute. ▶ Insert the plug in an electrical outlet.

24 Specifications

24.1 STIHL HSA 26

Intended for household use.

- Approved battery type: STIHL AS series
- Weight without battery:
 - with shrub blades: 1.8 lbs. (0.8 kg)
 - with grass blades: 1.5 lbs. (0.7 kg)

24.2 Cutting Attachments

Shrub Cutting Blades

- Blade tooth opening distance (maximum): 0.32 in. (8 mm)
- Tooth spacing: 0.75 in. (19 mm)
- Cutting length: 7.85 in. (200 mm)
- Sharpening angle: 30°

Grass Cutting Blades

- Tooth spacing: 0.63 in. (16 mm)
- Cutting length: 4.7 in. (120 mm)
- Sharpening angle: 35°

24.3 STIHL AS Series Battery

Approved charger type: STIHL AL 1 series.

- Battery technology: Lithium-Ion
- Voltage: 10.8 V
- Rated capacity in Ah¹: See rating plate
- Stored energy in Wh²: See rating plate

¹ Rated capacity calculated pursuant to IEC 61960. Usable energy available to the operator will be less.

² The battery is marked with its stored energy as provided by the cell manufacturer. Usable energy available to the operator will be less.

- Weight in kg: See rating plate

For a complete list of approximate charging times, see www.stihl.com/charging-times.

For a complete list of approximate battery runtimes, see www.stihl.com/battery-life.

24.4 STIHL AL 1

- Mains voltage: See rating plate
- Rated current: See rating plate
- Frequency: See rating plate
- Charging current: See rating plate
- Rated power: See rating plate
- Insulation: See rating plate

24.5 Ambient Temperature Limits

WARNING

Extreme temperatures can damage the battery and may also cause it to generate heat, rupture, leak, ignite or explode, resulting in severe or fatal personal injury or property damage. Never charge, use or store the battery outside the ambient temperature limits specified below.

- ▶ Do not charge the battery below - 4 °F (- 20 °C) or above 122 °F (50 °C).
- ▶ Do not use the garden shears, battery or charger below - 4 °F (- 20 °C) or above 122 °F (50 °C).
- ▶ Do not store the garden shears, battery or charger below - 4 °F (- 20 °C) or above 158 °F (70 °C).

24.6 Ambient Temperature Recommendations

For optimum performance, observe the following ambient temperature ranges for the garden shears, battery and charger:

- Charging: 41 °F to 86 °F (5 °C to 30 °C)
- Use: 32 °F to 86 °F (0 °C to 30 °C)

– Storage: - 4 °F to 122 °F (- 20 °C to 50 °C)

Charging, using or storing the battery outside the recommended ambient temperature ranges may reduce performance.

24.7 Symbols on the Garden Shears, Battery and Charger

Symbol	Explanation
V	Volt
Hz	Hertz
A	Ampere
Ah	Ampere hour
W	Watt
Wh	Watt hour



Certification/listing mark of UL

LISTED



STIHL products must not be disposed of in the household trash, but only in accordance with local, state and federal laws and regulations and as provided in this manual, 26.



Direct current



Number of cells and stored energy according to cell manufacturer's specification. Usable energy will be less.



The RBRC seal indicates that STIHL has prepaid for battery recycling



Read the manual



Use and store charger only indoors in dry rooms

24.8 Engineering Improvements

STIHL's philosophy is to continually improve all of its products. As a result, engineering changes and improvements are made from time to time. Therefore, some changes, modifications and improvements may not be covered in this manual. If the operating characteristics or the appearance of your machine differs from those described in this manual, please contact your STIHL dealer or the STIHL distributor in your area for assistance.

24.9 FCC 15 Compliance Statement

This device complies with part 15 of the FCC Rules.

Operation is subject to the following two conditions:

- this device may not cause harmful interference.
- this device must accept any interference received, including interference that may cause undesired operation.

Note: This equipment has been tested and found to comply with the limits for a Class B digital device, pursuant to part 15 of the FCC Rules. These limits are designed to provide reasonable protection against harmful interference in a residential installation. This equipment generates, uses and can radiate radio frequency energy and, if not installed and used in accordance with the instructions, may cause harmful interference to radio communications. However, there is no guarantee that interference will not occur in a particular installation.

If this equipment does cause harmful interference to radio or television reception, which can be determined by turning the equipment off and on, the user is encouraged to try to correct the interference by one or more of the following measures:


- reorient or relocate the receiving antenna,
- increase the separation between the equipment and receiver,
- connect the equipment to an outlet on a circuit different from that to which the receiver is connected,

- consult an authorized STIHL servicing dealer or an experienced radio/TV technician for help.

Do not change or modify this product in any way unless specifically allowed in this manual, since this could void your authority to operate it.

25 Replacement Parts and Equipment

25.1 Genuine STIHL Replacement Parts

STIHL recommends the use of genuine STIHL replacement parts. Genuine STIHL parts can be identified by the STIHL part number, the **STIHL** logo and, in some cases, by the STIHL parts symbol . The symbol may appear alone on small parts.

26 Disposal

26.1 Disposal of the Garden Shears and Charger

STIHL products must not be thrown in household trash or disposed of except as outlined in this manual.

- ▶ Take the garden shears, charger, accessories and packaging to an approved disposal site for environmentally friendly recycling.
- ▶ Contact your authorized STIHL servicing dealer for the latest information on disposal and recycling.

26.2 Battery Recycling

WARNING

Handle discharged/depleted batteries carefully. Even if believed to be discharged, lithium ion batteries may never totally discharge and still may deliver a dangerous short circuit current. If damaged or exposed to extreme temperatures, they may leak, generate heat, catch fire or explode.

- ▶ Observe all federal, state and local disposal rules and regulations.
- ▶ Contact your authorized STIHL servicing dealer for the latest information on waste disposal.
- ▶ Recycle depleted batteries promptly.
- ▶ Keep batteries away from children. Do not disassemble and do not dispose of in fire.



STIHL is committed to the development of products that are environmentally responsible. This commitment does not stop when the product leaves the authorized STIHL servicing dealer. STIHL has partnered with the RBRC (Rechargeable Battery Recycling Corporation) to promote the collection and recycling of spent STIHL lithium ion batteries in the United States and Canada.

The RBRC seal indicates that STIHL has prepaid for battery recycling. RBRC has a toll free phone number (1-800-822-8837) that connects you to information on battery recycling locations and information on battery disposal bans or restrictions in your area. You can also return your spent battery to any authorized STIHL servicing dealer for recycling free of charge.

27 Limited Warranty

27.1 STIHL Incorporated Limited Warranty Policy

This product is sold subject to the STIHL Incorporated Limited Warranty Policy, available at www.stihlusa.com/warranty.html. It can also be obtained from your authorized STIHL dealer or by calling 1-800-GO-STIHL (1-800-467-8445).

28 Trademarks

28.1 Registered Trademarks

STIHL®

STIHL®

The color combination orange-grey (U.S. Registrations #2,821,860; #3,010,057, #3,010,058, #3,400,477; and #3,400,476)

AutoCut®

YARD BOSS®

STIHL ROLLOMATIC®

WOOD BOSS®



FARM BOSS®

iCademy®

MAGNUM®

MasterWrench Service®

MotoMix®

OILOMATIC®

ROCK BOSS®

STIHL Cutquik®



STIHL DUROMATIC®

STIHL Quickstop®

STIHL WOOD BOSS®

TIMBERSPORTS®



STIHL Interchangeable Attachment Series™	STIHL Multi-Cut HomeScaper Series™
TapAction™	STIHL Territory™
	

This listing of trademarks is subject to change.

Any unauthorized use of these trademarks without the express written consent of ANDREAS STIHL AG & Co. KG, Waiblingen is strictly prohibited.

29 Addresses

29.1 STIHL Incorporated

STIHL Incorporated
536 Viking Drive
P.O. Box 2015
Virginia Beach, VA
23452-2015

28.2 Common Law Trademarks

4-MIX™	HT Plus™
BioPlus™	STIHL PowerSweep™
Easy2Start™	STIHL Protech™
EasySpool™	STIHL MiniBoss™
ElastoStart™	STIHL MotoPlus 4™
Ematic™	Master Control Lever™
STIHL Precision Series™	STIHL OUTFITTERS™
FixCut™	STIHL PICCO™
Micro™	TrimCut™
Pro Mark™	STIHL M-Tronic™
Quad Power™	STIHL HomeScaper Series™
Quiet Line™	STIHL PolyCut™
STIHL Arctic™	STIHL RAPID™
STIHL Compact™	STIHL SuperCut™

Contenido

1	Introducción	41	9	Mantenimiento, reparación y almacenamiento	59
2	Acerca de este manual de instrucciones	41	9.1	Advertencias e instrucciones.....	59
2.1	Palabras identificadoras.....	41	10	Antes de empezar a trabajar	60
2.2	Símbolos en el texto.....	41	10.1	Preparación de la tijera de podar para el funcionamiento:.....	60
3	Componentes importantes	42	11	Carga de la batería	60
3.1	Tijera de podar, batería y cargador.....	42	11.1	Preparación del cargador para el funcionamiento.....	60
3.2	Accesorios de corte.....	43	11.2	Carga.....	61
4	Símbolos de seguridad en los productos	43	11.3	Montaje del cargador en una pared.....	61
4.1	Tijera de podar, batería y cargador.....	43	12	Diagnóstico de LED	62
5	Advertencias generales de seguridad para herramientas motorizadas	44	12.1	LED del podador de jardín.....	62
5.1	Introducción.....	44	12.2	LED en el cargador.....	62
5.2	Seguridad en la zona de trabajo.....	44	13	Montaje y retiro de un accesorio de corte	63
5.3	Seguridad eléctrica.....	44	13.1	Montaje del accesorio de corte.....	63
5.4	Seguridad personal.....	45	13.2	Retiro del accesorio de corte.....	63
5.5	Uso y cuidado de la herramienta motorizada.....	45	14	Colocación y extracción de la batería	64
5.6	Uso y cuidado de la herramienta con batería.....	46	14.1	Colocación de la batería.....	64
5.7	Mantenimiento.....	46	14.2	Extracción de la batería.....	64
5.8	Advertencias de seguridad del cortasetos/de la tijera de podar con cuchillas para arbustos montadas.....	46	15	Encendido y apagado de la tijera de podar	65
6	INSTRUCCIONES IMPORTANTES DE SEGURIDAD	47	15.1	Encendido.....	65
6.1	Introducción.....	47	15.2	Apagado.....	66
6.2	Uso previsto.....	48	16	Revisión de los controles	66
6.3	Operador.....	48	16.1	Prueba de los controles.....	66
6.4	Equipos de protección personal.....	49	17	Durante el funcionamiento	66
6.5	Tijera de podar.....	49	17.1	Corte de arbustos.....	66
6.6	Uso de la tijera de podar.....	51	17.2	Corte de pasto.....	67
7	Seguridad de la batería	55	18	Después de completar el trabajo	68
7.1	Advertencias e instrucciones.....	55	18.1	Preparación para el transporte o el almacenamiento.....	68
8	Seguridad del cargador	57	19	Transporte de la tijera de podar y de la batería	68
8.1	Advertencias e instrucciones.....	57	19.1	Tijera de podar.....	68
			19.2	Batería.....	68
			19.3	Cargador.....	69

STIHL

Este manual de instrucciones está protegido por derechos de propiedad intelectual. Todos los derechos reservados, especialmente los derechos de reproducción, traducción y procesamiento con sistemas electrónicos.

20 Almacenamiento de la tijera de podar, la batería y el cargador	69
20.1 Tijera de podar	69
20.2 Batería	69
20.3 Cargador	70
21 Limpieza	70
21.1 Limpieza de la tijera de podar, de la batería y del cargador	70
21.2 Limpieza de las cuchillas de corte	71
22 Inspección y mantenimiento	71
22.1 Tijera de podar	71
22.2 Cuchillas de corte	71
23 Guía de solución de problemas	74
23.1 Tijera de podar y batería	74
23.2 Cargador	75
24 Especificaciones	77
24.1 STIHL HSA 26	77
24.2 Accesorios de corte	77
24.3 Batería STIHL serie AS	77
24.4 STIHL AL 1	77
24.5 Límites de temperatura ambiente	77
24.6 Recomendaciones de temperatura ambiente	78
24.7 Símbolos en la tijera de podar, la batería y el cargador	78
24.8 Mejoramientos técnicos	78
24.9 Declaración de cumplimiento con norma FCC 15	78
25 Piezas y equipos de repuesto	79
25.1 Piezas de repuesto originales de STIHL	79
26 Eliminación	79
26.1 Eliminación de la tijera de podar y el cargador	79
26.2 Reciclado de las baterías	79
27 Garantía limitada	80
27.1 Política de garantía limitada de STIHL Incorporated	80
28 Marcas comerciales	80
28.1 Marcas comerciales registradas	80
28.2 Marcas comerciales por ley común	80
29 Direcciones	80

29.1 STIHL Incorporated	80
-------------------------------	----

1 Introducción

Gracias por su compra. La información que contiene este manual lo ayudará a obtener el máximo rendimiento y satisfacción de la tijera de podar a batería, y a reducir el riesgo de lesiones que supone su uso, si dicha información se respeta.

¡CONSERVE ESTE MANUAL!



Dado que la tijera de podar a batería es una herramienta de corte de gran velocidad, es necesario tomar medidas especiales de seguridad para reducir el riesgo de lesiones.



Lea este manual de instrucciones detenidamente antes del uso y periódicamente de allí en adelante. Aténgase a todas las instrucciones de seguridad. El uso descuidado o inadecuado de cualquier tijera de podar puede causar lesiones graves o mortales.

Pida a su concesionario de servicio STIHL autorizado que le enseñe el manejo de la herramienta motorizada.

No preste ni alquile nunca la tijera de podar sin el manual de instrucciones. Solamente permita que las personas que comprenden la información de este manual por completo manejen la tijera de podar.

Para obtener más información, o si no comprende alguna de las instrucciones incluidas en este manual, visite www.stihlusa.com (en Canadá: www.stihl.ca) o comuníquese con el concesionario autorizado de STIHL.

2 Acerca de este manual de instrucciones

2.1 Palabras identificadoras

Este manual contiene información sobre seguridad a la que usted debe prestar atención especial. Dicha información se indica con los siguientes símbolos y palabras identificadoras:

PELIGRO

Identifica una situación de peligro que, de no evitarse, causará lesiones graves o mortales.

ADVERTENCIA

Identifica una situación de peligro que, de no evitarse, podría causar lesiones graves o mortales.

INDICACIÓN

Indica el riesgo de daños a la propiedad, incluidos la máquina o sus componentes.

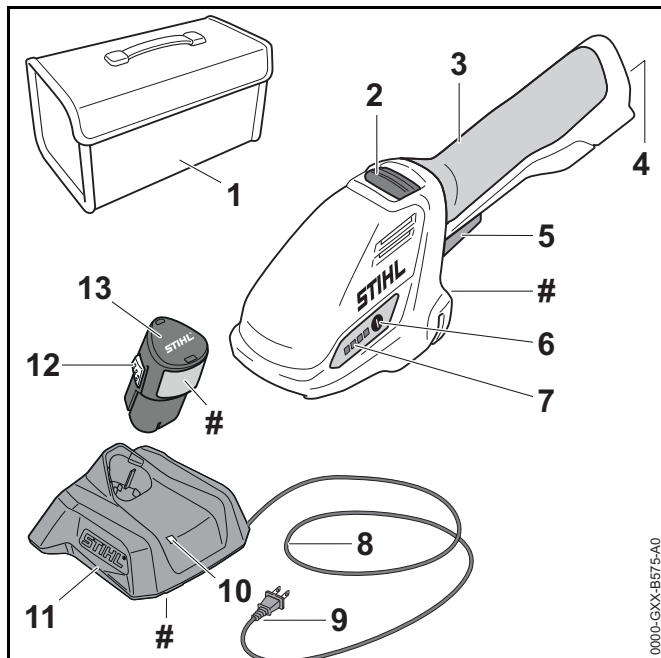
2.2 Símbolos en el texto

El siguiente símbolo tiene como finalidad ayudarlo a utilizar este manual.

Hace referencia a un capítulo o subcapítulo designado en este manual de instrucciones.

3 Componentes importantes

3.1 Tijera de podar, batería y cargador



1 Bolso de transporte

Diseñado para trasladar y guardar la tijera de podar, la batería, el cargador y los accesorios. El bolso de transporte se incluye cuando se compra la tijera de podar, la batería y el cargador como un juego.

2 Pestillo de retención

Boquea o desbloquea el gatillo.

3 Mango de control

El mango de la tijera de podar.

4 Compartimiento de la batería

Sostiene la batería.

5 Gatillo

Enciende y apaga el motor.

6 Pulsador

Activa los LED de la tijera de podar.

7 LED de la tijera de podar

Indican el estado de carga de la batería y los mensajes de error acerca de los posibles defectos de la herramienta eléctrica o la batería integrada.

8 Cordón eléctrico

Suministra electricidad al cargador cuando está enchufado a un tomacorriente de pared.

9 Enchufe

Conecta el cable de suministro eléctrico a un tomacorriente de pared.

10 LED del cargador

Indica el estado de funcionamiento del cargador.

11 Cargador

Carga la batería.

12 Palanca de bloqueo

Fija la batería en el compartimiento para la batería.

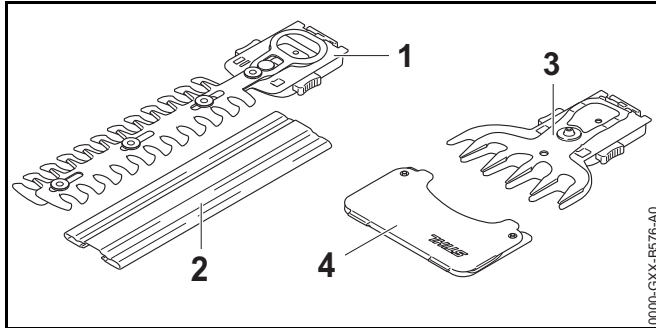
13 Batería

Suministra energía eléctrica al motor.

Chapa de información

Contiene información eléctrica y el número de serie del producto.

3.2 Accesorios de corte



1 Cuchillas para arbustos

Cuchillas de acero para cortar arbustos.

2 Funda para cuchilla

Cubre las cuchillas para arbustos a fin de reducir el riesgo de lesiones causadas por el contacto accidental durante el transporte o el almacenamiento.

3 Cuchillas para pasto

Cuchillas de acero para cortar pasto.

4 Funda para cuchilla

Cubre las cuchillas para pasto a fin de reducir el riesgo de lesiones causadas por el contacto accidental durante el transporte o el almacenamiento.

4 Símbolos de seguridad en los productos

4.1 Tijera de podar, batería y cargador

Los siguientes símbolos de seguridad están presentes en la tijera de podar, la batería y/o el cargador:



Para reducir el riesgo de lesiones, respete las medidas de seguridad especificadas.



Lea y atégase a todas las precauciones de seguridad dadas en el manual de instrucciones. El uso inadecuado puede provocar lesiones personales graves o mortales o daños a la propiedad.



Para reducir el riesgo de lesionarse los ojos, siempre use gafas protectoras adecuadas, 6.4.



Para reducir el riesgo de descarga eléctrica, no exponga la tijera de podar a la lluvia, al agua o a la humedad excesiva. Guárdela bajo techo. Si se expone a la lluvia o a condiciones muy húmedas, llévela a su concesionario de servicio STIHL autorizado antes de continuar utilizándola, 6.5.

Para reducir el riesgo de lesiones personales o daños a la propiedad causados por incendios o descargas eléctricas, no moje el cargador. Protéjalo de la lluvia, el agua, los líquidos y las condiciones de humedad. Para uso en interiores únicamente, 8.



Para reducir el riesgo de lesiones graves o mortales, mantenga las manos, los pies y cualquier otra parte del cuerpo alejados de la tijera de podar, 6.6.4.




Para reducir el riesgo de lesiones o daños a la propiedad debido a la activación inesperada, quite la batería cuando la tijera de podar no esté en uso, 6.6.



Para reducir el riesgo de lesiones personales o daños a la propiedad debido a incendios, explosiones o quemaduras, incluidas las quemaduras químicas, no desarme, aplaste, deje caer, dañe o caliente la batería a más de 100 °C (212 °F). Nunca lo exponga al fuego ni lo incinere, 7.



Para reducir el riesgo de lesiones personales o daños a la propiedad causados por un cortocircuito, un incendio o una explosión, mantenga la batería seca. Protéjalo de la lluvia, el agua, los líquidos y las condiciones de humedad. Nunca sumerja la batería en agua u otros líquidos,  7.

5 Advertencias generales de seguridad para herramientas motorizadas

5.1 Introducción

Este capítulo contiene las advertencias e instrucciones de seguridad generales prescritas para herramientas eléctricas manuales motorizadas y cortasetos/tijeras de podar eléctricos motorizados con cuchillas para arbustos instaladas. En los siguientes capítulos de este manual, se proporcionan otras advertencias e instrucciones importantes.

ADVERTENCIA

- **Lea todas las advertencias de seguridad y todas las instrucciones.** Si no se siguen todas las advertencias e instrucciones, se podrían producir descargas eléctricas, incendios o lesiones graves.
- **Conserve todas las advertencias e instrucciones para referencia en el futuro.**

El término “herramienta eléctrica” que aparece en las advertencias hace referencia a una herramienta alimentada por cordón eléctrico o a batería (inalámbrica).

5.2 Seguridad en la zona de trabajo

- a) **Mantenga la zona de trabajo limpia y bien iluminada.** El desorden y la oscuridad favorecen los accidentes.
- b) **No utilice las herramientas motorizadas en entornos potencialmente explosivos, tales como aquellos en los que hay líquidos, gases o polvos inflamables.** Las herramientas motorizadas producen chispas que podrían encender el polvo o los vapores.

- c) **Asegúrese de que niños y terceras personas se mantienen alejados de la herramienta motorizada mientras la está usando.** Cualquier distracción podría hacerle perder el control sobre la herramienta.

5.3 Seguridad eléctrica

- a) **El enchufe de la herramienta motorizada debe corresponder con el tomacorriente. Nunca modifique el enchufe en modo alguno. No utilice enchufes adaptadores con herramientas motorizadas que tengan clavija de puesta a tierra.** El uso de enchufes no modificados y de los tomacorrientes adecuados reduce el riesgo de descargas eléctricas.
- b) **Evite que su cuerpo entre en contacto con superficies puestas a tierra tales como tuberías, radiadores, estufas y refrigeradores.** Si su cuerpo está conectado con tierra, existe un mayor riesgo de que sufra descargas eléctricas.
- c) **No exponga las herramientas motorizadas a la lluvia ni a la humedad.** Si entra agua en la herramienta motorizada, aumenta el riesgo de que se produzcan descargas eléctricas.
- d) **No maltrate el cordón eléctrico. Nunca tire del cordón eléctrico para transportar, arrastrar o desenchufar la herramienta motorizada. Mantenga el cordón protegido del calor y alejado de aceites, bordes afilados y piezas móviles.** Si el cordón está dañado o retorcido, aumenta el riesgo de que se produzcan descargas eléctricas.
- e) **Cuando use una herramienta motorizada a la intemperie, utilice un cordón de extensión adecuado para el uso en exteriores.** Con un cordón apto para el uso en exteriores se reduce el riesgo de descargas eléctricas.
- f) **Si resulta ineludible el uso de una herramienta motorizada en un lugar húmedo, utilice un suministro de energía eléctrica con dispositivo de corriente residual (RCD) o con protección contra pérdidas a tierra (GFCI).** El uso de un RCD o GFCI reduce el riesgo de descargas eléctricas.

5.4 Seguridad personal

- a) **Manténgase alerta, preste atención a lo que hace y aplique el sentido común cuando use una herramienta motorizada. No utilice una herramienta motorizada si se nota cansado o si está bajo la influencia de drogas, alcohol o medicamentos.** Un descuido breve durante el uso de una herramienta motorizada puede causar lesiones personales graves.
- b) **Utilice equipos de protección personal. Protéjase los ojos siempre.** El uso de equipos protectores como mascarillas, zapatos de seguridad antideslizantes, casco y protectores de los oídos para lograr las condiciones de trabajo apropiadas reduce el riesgo de sufrir lesiones personales.
- c) **Evite los arranques accidentales. Asegúrese de que el interruptor está en la posición de apagado antes de conectar la máquina a la fuente de energía o a la batería, antes de levantarla y antes de cargarla.** Cargar una herramienta motorizada con un dedo colocado sobre el interruptor de encendido o conectar la alimentación de herramientas que tienen el interruptor en la posición de encendido favorece los accidentes.
- d) **Retire todas las llaves o herramientas de ajuste antes de encender la herramienta motorizada.** Si se deja una herramienta o una llave colocada en un componente giratorio de la herramienta motorizada, se pueden producir lesiones personales.
- e) **No extienda los brazos más de lo necesario. Mantenga el equilibrio y los pies bien apoyados en todo momento.** Así, podrá controlar mejor la herramienta motorizada si surge cualquier imprevisto.
- f) **Use vestimenta adecuada. No utilice ropa suelta ni joyas. Mantenga su cabello y su ropa alejados de las piezas móviles.** La ropa suelta, las joyas o el cabello largo pueden quedar atrapados en los componentes en movimiento.
- g) **Si cuenta con dispositivos para la conexión de equipos extractores y recogedores de polvo, asegúrese de que estos están conectados y de que se usan debidamente.** El uso de un equipo recogedor de polvo puede reducir los peligros relacionados con el polvo.

- h) **No permita que la familiaridad adquirida con el uso frecuente de las herramientas lo lleve a actuar con un exceso de confianza y a no tener en cuenta los principios de seguridad de la herramienta.** Una acción descuidada puede causar lesiones graves en una fracción de un segundo.

5.5 Uso y cuidado de la herramienta motorizada

- a) **No fuerce la herramienta motorizada. Utilice la herramienta motorizada adecuada para el trabajo que va a realizar.** Si usa la herramienta motorizada correcta, llevará a cabo la tarea mejor y con mayor seguridad, y al ritmo para el cual fue diseñada.
- b) **No utilice la herramienta motorizada si no se puede encender y apagar con el interruptor.** Toda herramienta motorizada que no pueda controlarse con su interruptor es peligrosa y debe ser reparada.
- c) **Desconecte el enchufe de la fuente de alimentación o retire el paquete de baterías (si es desmontable), de la herramienta motorizada antes de hacer ajustes, cambiar accesorios o almacenar la herramienta.** Estas medidas preventivas de seguridad reducen el riesgo de arrancar la herramienta motorizada por accidente.
- d) **Guarde las herramientas motorizadas fuera del alcance de los niños, y no permita que utilicen las herramientas personas que no estén familiarizadas con ellas o con estas instrucciones.** En manos de personas no capacitadas para usarlas, las herramientas motorizadas son peligrosas.
- e) **Mantenga debidamente las herramientas motorizadas y sus accesorios. Compruebe si los componentes móviles están mal alineados o agarrotados, si hay roturas en alguna pieza y otros aspectos que pudieran afectar al funcionamiento de la herramienta eléctrica. Si hay daños, envíe la herramienta eléctrica a reparación antes de usarla.** Muchos accidentes se deben a un mantenimiento deficiente de las herramientas motorizadas.
- f) **Mantenga las herramientas de corte afiladas y limpias.** Si se han mantenido correctamente y están afiladas, las herramientas de corte son menos propensas a atascarse y más fáciles de controlar.

- g) **Utilice la herramienta motorizada, los accesorios, las brocas, etc. tal como se indica en estas instrucciones, teniendo en cuenta las condiciones de trabajo y el tipo de tarea que va a realizar.** El uso de una herramienta motorizada para trabajos diferentes a aquellos para los que fue diseñada puede producir situaciones peligrosas.
- h) **Mantenga los mangos y las superficies de agarre secos, limpios y sin aceite ni grasa.** Las superficies de agarre y los mangos resbaladizos dificultan la manipulación y el control seguros de la herramienta en situaciones inesperadas.

5.6 Uso y cuidado de la herramienta con batería

- a) **Recárguela únicamente con el cargador especificado por el fabricante.** Un cargador que es adecuado para un tipo de baterías puede crear un riesgo de incendio si se utiliza con baterías de un tipo diferente.
- b) **Utilice las herramientas motorizadas únicamente con las baterías especificadas para ellas.** El uso de otras baterías puede crear riesgos de lesiones o incendio.
- c) **Cuando no utilice las baterías, manténgalas alejadas de objetos metálicos tales como presillas para papel, monedas, llaves, clavos, tornillos u otros objetos metálicos pequeños que pudieran establecer una conexión entre los distintos terminales.** Un cortocircuito entre los terminales de batería puede causar quemaduras o un incendio.
- d) **En condiciones de maltrato, podría salir líquido de la batería; evite el contacto con el mismo. Si, a pesar de todo, el contacto se produce, lave la zona afectada con agua. Si el líquido entra en contacto con los ojos, busque además atención médica.** El líquido que sale de la batería puede causar irritaciones y quemaduras.
- e) **No utilice una batería ni una herramienta a batería que presente daños o haya sido modificada.** Las baterías dañadas o modificadas pueden tener un comportamiento impredecible y que puede provocar incendios, explosiones y lesiones.

- f) **No exponga nunca una batería ni una herramienta a batería al fuego ni a temperaturas excesivas.** La exposición al fuego o a temperaturas superiores a los 100 °C puede causar una explosión.
- g) **Respete todas las instrucciones relativas a la carga y no cargue la batería ni la herramienta a batería a temperaturas no incluidas en el intervalo que se especifica en las instrucciones.** Una carga incorrecta o realizada a temperaturas fuera del intervalo especificado puede dañar la batería y aumentar el riesgo de incendios.

5.7 Mantenimiento

- a) **El mantenimiento de su herramienta motorizada deberá realizarlo siempre un técnico calificado, utilizando piezas de repuesto genuinas.** Solo así queda garantizado que se mantendrá intacta la seguridad de la herramienta motorizada.
- b) **Nunca intente reparar baterías dañadas.** Del mantenimiento de las baterías deben encargarse únicamente el fabricante o un proveedor de servicio autorizado.

5.8 Advertencias de seguridad del cortasetos/de la tijera de podar con cuchillas para arbustos montadas

- a) **Mantenga todas las partes del cuerpo alejadas de la cuchilla. No retire el material cortado ni sujete el material que va a cortar cuando las cuchillas están en movimiento.** Las cuchillas siguen moviéndose una vez que se ha apagado la herramienta con el interruptor. Un descuido breve durante el uso de la tijera de podar puede provocar lesiones graves.
- b) **Transporte la tijera de podar con la cuchilla detenida y sujetándola por el mango, prestando atención para no accionar ningún interruptor de encendido.** Si la tijera de podar se carga correctamente, se reduce el riesgo de arranques accidentales y de lesiones causadas por las cuchillas.

- c) Cuando transporte o guarde la tijera de podar, siempre coloque la funda de las cuchillas. El manejo adecuado de la tijera de podar reduce el riesgo de lesiones provocadas por las cuchillas.
- d) Cuando retire material atorado o realice trabajos de mantenimiento en la máquina, asegúrese de que todos los interruptores están en la posición de apagado y de que la batería está desconectada. Una activación inesperada de la tijera de podar mientras se retira material atascado o durante el mantenimiento puede causar lesiones graves.
- e) Sujete la tijera de podar siempre por los asideros aislados, porque la cuchilla podría entrar en contacto con cables ocultos. Si las cuchillas entran en contacto con un cable con corriente, las piezas metálicas expuestas de la tijera podrían cargarse de electricidad y provocarle una descarga al operador.
- f) Mantenga todos los cables y cordones eléctricos alejados de la zona de corte. Los setos o arbustos pueden ocultar cables o cordones eléctricos que usted podría cortar por accidente con la cuchilla.
- g) No utilice la tijera de podar en condiciones climáticas adversas, especialmente si hay riesgo de relámpagos. Así reducirá el riesgo de recibir la descarga de un relámpago.

PELIGRO

- Mantenga las manos alejadas de la cuchilla. El contacto con la cuchilla causará lesiones graves.

6 INSTRUCCIONES IMPORTANTES DE SEGURIDAD

6.1 Introducción

Esta sección contiene las advertencias e instrucciones de seguridad generales prescritas para tijeras de podar eléctricas manuales con cuchillas para pasto instaladas. En las siguientes secciones de este manual, se proporcionan otras advertencias e instrucciones importantes.

ADVERTENCIA

- Para reducir el riesgo de incendios, descargas eléctricas y lesiones personales, siempre respete las medidas de seguridad básicas al usar tijeras de podar eléctricas:

¡LEA TODAS LAS INSTRUCCIONES ANTES DE USAR LA TIJERA DE PODAR!

- 1) Evite los entornos peligrosos - No utilice tijeras de podar en lugares húmedos ni mojados.
- 2) No las use bajo la lluvia.
- 3) Mantenga alejados a los niños - Las demás personas deben mantenerse alejadas de la zona de trabajo.
- 4) Use vestimenta apropiada - No use ropa suelta ni joyas. Estos elementos pueden quedar atrapados en las piezas en movimiento. Se recomienda usar guantes de trabajo gruesos (por ejemplo, fabricados de cuero u otro material resistente al desgaste) y calzado de seguridad al trabajar a la intemperie. Utilice medidas de protección para sujetar el pelo largo.
- 5) Use gafas de seguridad - Siempre utilice una máscara o mascarilla contra polvo al trabajar en un lugar polvoriento.
- 6) Utilice la herramienta apropiada para el trabajo - No la use con fines no previstos.
- 7) Evite los arranques accidentales - No transporte la tijera de podar enchufada con el dedo sobre el gatillo.
- 8) No agarre las cuchillas descubiertas ni los fillos al recoger o manipular la tijera de podar.
- 9) No fuerce la tijera de podar - Funciona mejor y con menos riesgo de lesiones si se usa al ritmo para el cual fue diseñada.
- 10) No intente llegar más lejos de lo debido - Mantenga los pies bien apoyados y equilibrados en todo momento.
- 11) Permanezca alerta - Esté atento a lo que está haciendo. Use buen criterio. No haga funcionar la tijera de podar si está cansado.
- 12) Guarde la tijera de podar bajo techo - Cuando no utilice la tijera de podar, guárdela bajo techo, en un lugar seco y bajo llave, fuera del alcance de los niños y sin la batería.

- 13) Cuide la tijera de podar - Mantenga el accesorio de corte limpio para obtener el mejor rendimiento y reducir el riesgo de lesiones. Al sustituir accesorios, atégase a las instrucciones del caso. Mantenga los mangos secos, limpios y sin aceite ni grasa.
- 14) Revise las piezas dañadas - Antes de seguir usando la tijera de podar, revise minuciosamente el protector u otras piezas que se hayan dañado para verificar que funcionarán correctamente y cumplirán su función. Revise si las piezas móviles están bien alineadas, atoradas, si hay piezas rotas, si las piezas están instaladas correctamente y toda condición que pueda afectar el funcionamiento. Si un protector u otra pieza tiene daños, deberá ser sustituido o reparado por un taller de servicio autorizado, salvo indicación contraria en este manual.
- 15) Mantenga las manos alejadas de las cuchillas.

GUARDE ESTAS INSTRUCCIONES.

6.2 Uso previsto

⚠ ADVERTENCIA

- Esta tijera de podar está diseñada para realizar tareas livianas de corte de pasto y arbustos ornamentales en patios y jardines del hogar. No están destinadas a reemplazar el cortasetos. Si se usa la tijera de podar para trabajos para los cuales no ha sido diseñada, se podrían causar lesiones graves o mortales.
 - Use la tijera de podar solo para tareas de corte livianas en el hogar o el jardín.
- El uso indebido podría causar lesiones personales o daños a la propiedad, incluidos daños en la tijera de podar.
 - Use la tijera de podar, la batería y el cargador solo según se describe en este manual.
 - Nunca intente modificar ni anular los controles ni los dispositivos de seguridad de la tijera de podar de ningún modo.
 - Nunca utilice una tijera de podar que haya sido modificada o alterada, apartándose de su diseño original.

- La batería de la serie STIHL AS está diseñada solo para el uso con herramientas eléctricas STIHL compatibles.
- El cargador STIHL AL 1 está diseñado para cargar solamente las baterías STIHL de las series AS.

6.3 Operador

⚠ ADVERTENCIA

- El uso de la tijera de podar puede ser extenuante. El operador debe hallarse en buenas condiciones tanto físicas como mentales. Para reducir el riesgo de lesiones personales causadas por fatiga o pérdida del control:
 - Consulte a su médico antes de usar la tijera de podar si tiene una afección de salud que pueda agravarse por el trabajo extenuante.
 - No haga funcionar la tijera de podar si se encuentra bajo la influencia de cualquier sustancia (drogas, alcohol, medicamentos, etc.) que puedan afectar la visión, el equilibrio, la destreza o el juicio.
 - Esté alerta. No haga funcionar la tijera de podar si está cansado. Tómese un descanso si se siente cansado.
 - No permita que los niños usen la tijera de podar.
- De acuerdo con los conocimientos actuales de STIHL, el motor eléctrico de esta tijera de podar no debería interferir en marcapasos.
 - Sin embargo, las personas con marcapasos u otro dispositivo médico implantado deben consultar a su médico y al fabricante del dispositivo antes de utilizar esta tijera de podar.

6.4 Equipos de protección personal

⚠ ADVERTENCIA

- Para reducir el riesgo de lesiones personales:
 - Siempre use ropa adecuada y trajes protectores, incluidas gafas protectoras adecuadas.
- Si el cabello, la ropa o los trajes entran en contacto con las cuchillas de corte en movimiento o se enredan en los componentes de la tijera de podar, podría perderse el control y producirse lesiones cortantes graves. Para reducir el riesgo de lesiones personales graves:



- Use ropa resistente y ajustada que permita una completa libertad de movimiento.

- Evite el uso de chaquetas sueltas, bufandas, corbatas, pantalones acampanados o con vueltas, joyas o cualquier otra vestimenta que pueda engancharse en las ramas, matorrales o el accesorio de corte en movimiento.
- Sujétese el cabello por encima de los hombros antes de empezar a trabajar.

- Para reducir el riesgo de lesiones oculares:



- Siempre utilice gafas o anteojos protectores bien ajustados con protección lateral resistentes a impactos y que porten designaciones que indiquen que cumplen con la norma ANSI Z87 «+».

- Es muy importante tener una buena superficie de apoyo para los pies. Para ayudar a mantener un punto de apoyo seguro y reducir el riesgo de lesiones mientras trabaja:



- Póngase un calzado sólido con suela antideslizante. Nunca use sandalias, ojotas, zapatos que dejen los dedos descubiertos ni calzado de ese tipo.

- Para mejorar el manejo y ayudar a proteger las manos:



- Siempre use guantes gruesos antideslizantes de cuero o de otro material resistente al desgaste para manipular la tijera de podar o las cuchillas de corte.

6.5 Tijera de podar

⚠ ADVERTENCIA

- Para reducir el riesgo de descarga eléctrica:




- No exponga la tijera de podar a la lluvia, al agua ni a una humedad excesiva.
- Nunca sumerja la tijera de podar en agua ni en otros líquidos.

- Guarde la tijera de podar bajo techo.

- Las cuchillas para pasto y arbustos tienen muchos cortadores afilados. El contacto con estos cortadores puede provocar lesiones graves, incluso cuando las cuchillas de corte están detenidas. Para reducir el riesgo de que se produzcan este tipo de lesiones:

- Mantenga las manos, los pies y cualquier otra parte del cuerpo lejos de las cuchillas de corte.
- Nunca sujete el material que va a cortar.
- Nunca retire el material cortado sin soltar el gatillo y quitar la batería antes.
- Use guantes de trabajo gruesos para manipular la tijera de podar o las cuchillas para pasto o arbustos.
- La tijera de podar se opera con una sola mano. Mantenga la otra mano alejada de la zona de corte durante el trabajo. No sostenga el material que está cortando mientras trabaja con la tijera de podar.
- Nunca toque las cuchillas de corte en movimiento con las manos ni con ninguna otra parte de su cuerpo.
- Cubra las cuchillas de corte con una funda antes de transportar o guardar la tijera de podar, para reducir el riesgo de contacto accidental.

- Esta tijera de podar a batería está diseñada solo para llevar a cabo trabajos de mantenimiento livianos en el jardín doméstico. Su uso para otros fines puede aumentar el riesgo de lesiones y de daños materiales.
 - No intente cortar ningún material que no sea pasto, arbustos ornamentales o vegetación blanda similar. No corte tallos gruesos, ramas ni vegetación densa.
 - Lea y respete las instrucciones de manejo de este manual para conocer las aplicaciones aprobadas,  17.

- Para reducir el riesgo de que el operador o las personas que se encuentran cerca sufran lesiones:



- Siempre suelte el gatillo y quite la batería antes de armar, transportar, ajustar, inspeccionar, limpiar, reparar, mantener o guardar la tijera de podar, y siempre que no esté en uso.
 - Suelte el gatillo y saque la batería antes de retirar el material que se haya atascado.
 - Nunca deje la tijera de podar desatendida si tiene la batería colocada.
- Si bien determinados accesorios no autorizados podrían encajar en la tijera de podar STIHL, su uso puede ser extremadamente peligroso. Le recomendamos que utilice únicamente accesorios suministrados por STIHL o expresamente autorizados por STIHL para el uso con este modelo específico.
 - Use solo accesorios suministrados o expresamente aprobados por STIHL.
 - Nunca modifique de ninguna manera esta tijera de podar.
 - Nunca intente modificar ni anular en modo alguno los controles ni los dispositivos de seguridad de la tijera de podar.
 - Nunca use una tijera de podar que haya sido modificada o alterada, apartándose de su diseño original.

- Si la tijera de podar se cae o sufre un impacto fuerte similar a una caída:
 - Asegúrese de que no se ha dañado, de que está en buenas condiciones y de que funciona correctamente antes de reanudar el trabajo.
 - Verifique que los controles y los dispositivos de seguridad funcionan correctamente.
 - Asegúrese de que la batería no se ha dañado. Nunca use ni cargue una batería que no funcione correctamente o que esté dañada, agrietada, deformada o pierda líquido.
 - Nunca trabaje con una tijera de podar o con una batería que esté dañada o defectuosa. Si tiene dudas, solicite a su concesionario de servicio STIHL autorizado que revise la tijera de podar y la batería.
- Si la tijera de podar o la batería están dañadas, no funcionan correctamente, se han dejado a la intemperie, se han expuesto a la lluvia o a la humedad o han caído en agua u otro líquido, es posible que sus componentes y los dispositivos de seguridad ya no funcionen. Para reducir el riesgo de lesiones y de daños materiales:
 - Lleve la tijera de podar a su concesionario de servicio STIHL autorizado para que la revisen antes de continuar utilizándola.
- Las piezas de repuesto auténticas de STIHL están diseñadas específicamente para su tijera de podar, y satisfacen las necesidades de rendimiento y seguridad correspondientes. El uso de piezas no autorizadas o no aprobadas por STIHL puede provocar lesiones graves o mortales, así como daños materiales.
 - Para llevar a cabo tareas de reparación o mantenimiento, STIHL recomienda utilizar únicamente piezas de repuesto STIHL idénticas a las originales.


6.6 Uso de la tijera de podar

6.6.1 Antes del uso

⚠ ADVERTENCIA


- Un uso inadecuado o no autorizado puede causar lesiones y daños materiales.
 - Use la tijera de podar solo como se describe en este manual de instrucciones.
- El uso de una tijera de podar que se ha modificado, que está dañada, mal ajustada o no se ha mantenido debidamente puede provocar una avería y aumentar el riesgo de lesiones graves o incluso mortales.
 - Nunca trabaje con una tijera de podar que se haya modificado, que esté dañada o mal ajustada, que no se haya mantenido debidamente o que no se haya montado de forma segura.
 - Antes de empezar a trabajar, compruebe siempre si la tijera de podar está en buenas condiciones y si funciona correctamente; preste especial atención al pestillo de retención, al gatillo y a las cuchillas de corte.
 - Asegúrese de que el pestillo de retención y el gatillo se mueven libremente y de que regresan a su lugar cuando los suelta. El gatillo no debe poder oprimirse si no se ha desbloqueado el pestillo de retención.
 - Nunca intente modificar ni anular en modo alguno los controles ni los dispositivos de seguridad.
 - Las cuchillas de corte deben moverse únicamente cuando la batería está colocada, el pestillo de retención desbloqueado y el gatillo, presionado.
 - Si la tijera de podar o cualquiera de sus piezas está dañada o no funciona correctamente, llévela a un concesionario de servicio STIHL autorizado. No use la tijera de podar hasta que el problema se haya solucionado.
- Antes de colocar la batería:
 - Compruebe si hay corrosión o materias extrañas en los contactos del compartimiento de la batería; mantenga los contactos limpios. Si el tomacorriente

está sucio o corroído, lleve la unidad a su concesionario de servicio STIHL autorizado antes de usarla.

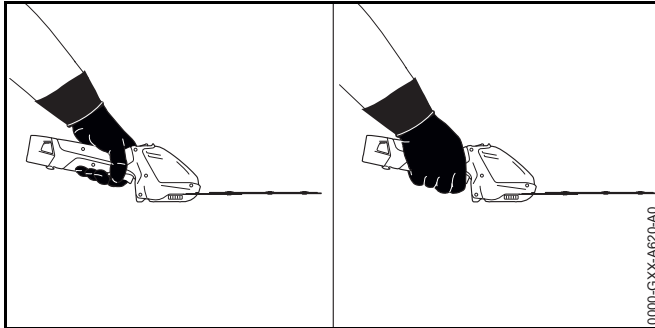
- Nunca inserte ni use una batería que esté defectuosa, dañada, agrietada o deformada, o que pierda líquido.
- Lea y respete las instrucciones de encendido de la tijera de podar,  15.1.

- Para reducir el riesgo de lesiones graves o mortales provocadas por un arranque accidental:
 - Antes de colocar la batería, asegúrese de que el pestillo de retención está en la posición de bloqueo y el gatillo, en la posición de apagado.
 - Nunca acarree la tijera de podar con el dedo en el gatillo.
 - Suelte el gatillo antes de retirar la batería.



- Retire la batería antes de armar, transportar, ajustar, inspeccionar, limpiar, reparar, mantener o guardar la tijera de podar, y siempre que no se esté usando.
- Nunca deje la tijera de podar desatendida si tiene la batería colocada.
- Nunca guarde la batería en la tijera de podar.
- Antes de encender la tijera de podar, dé los siguientes pasos para reducir el riesgo de sufrir lesiones, de perder el control sobre la máquina o de entrar en contacto con el accesorio de corte por accidente:
 - Asegúrese de mantener las cuchillas de corte alejadas de su cuerpo y de obstáculos y objetos de cualquier otro tipo, incluido el suelo.
 - Nunca encienda la tijera de podar si hay material entre las cuchillas de corte.
 - Lea y respete las instrucciones de encendido de la tijera de podar,  15.1.

6.6.2 Sujeción y control de la tijera de podar



⚠ ADVERTENCIA

- Para sujetar con firmeza y controlar correctamente la tijera de podar:
 - Mantenga el mango limpio y seco en todo momento. Protéjalo de la humedad, del alquitrán, del aceite, de la grasa y de la resina.
- Para reducir el riesgo de perder el control y sufrir lesiones graves o mortales, o provocárselas a las personas que se encuentran cerca:
 - Cuando trabaje, siempre sujete la tijera de podar firmemente con la mano derecha o con la izquierda.
 - Envuelva el mango firmemente con los dedos, manteniéndolo sujeto entre los dedos índice y pulgar (vea la ilustración).
 - Coloque la tijera de podar de modo que todas las partes de su cuerpo queden alejadas del accesorio de corte siempre que la batería esté colocada.
- Para reducir el riesgo de que el operador o las personas que se encuentran cerca sufran lesiones graves o mortales causadas por una pérdida de control, asegúrese de mantener el equilibrio y los pies bien apoyados en todo momento:
 - Nunca trabaje sobre una escalera de mano, sobre un techo, un árbol o cualquier otro punto de apoyo que no sea seguro.
 - Tenga especial cuidado cuando trabaje en terrenos con mucha vegetación o húmedos, y preste atención siempre a posibles obstáculos ocultos como tocones, raíces, piedras, hoyos y zanjas.
 - Proceda con extrema precaución cuando trabaje en declives o en terrenos irregulares.
 - Para no perder la estabilidad, retire siempre las ramas caídas, los arbustos, el material cortado y cualquier otro objeto o vegetación que pueda aumentar el riesgo de resbalarse, tropezarse o caer.
 - No extienda los brazos más de lo necesario. Mantenga el equilibrio y los pies bien apoyados en todo momento.
- Para reducir el riesgo de que el operador o las personas de los alrededores sufran cortes graves o mortales por contacto con las cuchillas:
 - Mantenga las manos, los pies y todas las partes de su cuerpo lejos de las cuchillas de corte.



- No toque las cuchillas de corte cuando esté colocada la batería.
- Nunca toque cuchillas de corte en movimiento con las manos ni con ninguna otra parte de su cuerpo.



- Si las cuchillas de corte se atascan en una rama gruesa o en otro objeto, suelte el gatillo y el pestillo de retención de inmediato y retire la batería antes de intentar liberar las cuchillas.

6.6.3 Condiciones de trabajo

⚠ ADVERTENCIA

- Ponga la tijera de podar en funcionamiento solamente en condiciones de buena visibilidad y a la luz del día.
 - Posponga los trabajos si el tiempo está ventoso, con neblina, lluvioso o inclemente.
- La tijera de podar es una herramienta que debe ser manejada por una sola persona.
 - No se debe permitir la proximidad de otras personas, especialmente de niños, ni de animales en los lugares donde se esté utilizando la máquina.
 - Apague la tijera de podar inmediatamente si se le aproxima alguna persona.
- Para reducir el riesgo de lesiones a los espectadores y usuarios no autorizados:
 - No deje la tijera de podar desatendida si tiene la batería colocada.
 - Apague la tijera de podar y quite la batería durante los descansos y en cualquier momento en que la tijera de podar no se utilice.
- Las chispas que se generan del funcionamiento de la tijera de podar pueden encender gases, líquidos, vapores, polvos u otros materiales y sustancias combustibles. Para reducir el riesgo de incendio y explosión:
 - No ponga en funcionamiento la tijera de podar en un lugar donde haya gases, líquidos, vapores, polvos u otros materiales y sustancias combustibles.
 - Lea y atégase a las recomendaciones dadas por autoridades gubernamentales (por ejemplo, OSHA) para identificar y evitar los peligros que representan gases combustibles, líquidos, vapores, polvos y otros materiales y sustancias combustibles.
- El uso de esta tijera de podar (incluido el afilado de las cuchillas de corte) puede generar polvo y otras sustancias que contengan productos químicos considerados como causantes de enfermedades respiratorias, cáncer, defectos de nacimiento u otra toxicidad reproductora.
 - Consulte con agencias gubernamentales tales como EPA, OSHA, CARB y NIOSH, al igual que otras fuentes fidedignas sobre materiales peligrosos si desconoce los riesgos asociados con las sustancias particulares que está cortando o con las cuales está trabajando.
- La inhalación de ciertos polvos, especialmente los polvos orgánicos, tales como el moho o polen, puede provocar reacciones alérgicas o asmáticas en las personas sensibles. La inhalación repetida o de grandes cantidades de polvo u otros contaminantes del aire, especialmente los de partículas pequeñas, puede causar enfermedades respiratorias o de otro tipo.
 - Controle el polvo en su fuente, siempre que sea posible.
 - Siempre trabaje con cuchillas de corte afiladas correctamente.
 - En la medida de lo posible, ponga la tijera de podar en funcionamiento de modo que el viento o el proceso de operación dirijan cualquier polvo, vapor u otras partículas generados por la tijera de podar en dirección contraria al operador.
 - Si no es posible mantener el polvo inhalable y otras partículas a niveles de fondo o aproximadamente de fondo, siempre utilice una mascarilla aprobada por NIOSH y con capacidad adecuada para las condiciones específicas del sitio. Siga las recomendaciones dadas por entidades gubernamentales (por ejemplo: OSHA/NIOSH) y asociaciones laborales y comerciales.
- Si la vegetación que corta o el terreno están cubiertos por una sustancia química, como pesticida o herbicida:
 - Lea y siga las instrucciones y advertencias que acompañan a la sustancia que cubre la vegetación o el terreno.

6.6.4 Instrucciones de manejo

⚠ ADVERTENCIA

- Para reducir el riesgo de que el operador o las personas de los alrededores sufran cortes graves o mortales por contacto con las cuchillas:



- Mantenga las manos, los pies y todas las partes de su cuerpo lejos de las cuchillas de corte.
 - La tijera de podar se opera con una sola mano. Mantenga la otra mano alejada de la zona de corte durante el trabajo. No sostenga el material que está cortando mientras trabaja con la tijera de podar.
 - No toque las cuchillas de corte cuando esté colocada la batería.
 - Nunca toque cuchillas de corte en movimiento con las manos ni con ninguna otra parte de su cuerpo.
 - Nunca sujete el material que va a cortar. Nunca retire el material cortado sin soltar el gatillo y quitar la batería antes.
 - Suelte el gatillo y saque la batería antes de retirar el material que se haya atascado.
- Para reducir el riesgo de lesiones graves provocadas por un arranque accidental de la máquina:
 - No toque las cuchillas de corte con la mano ni con ninguna otra parte de su cuerpo cuando la batería está colocada, tampoco cuando las cuchillas de corte no estén girando.



- Si las cuchillas de corte se atorán con ramas u otras obstrucciones, suelte el gatillo y el pestillo de retención de inmediato, y quite la batería antes de intentar liberar las cuchillas.

- Las cuchillas de corte siguen moviéndose durante un periodo breve de tiempo una vez que se suelta el gatillo.
 - Espere a que las cuchillas de corte se detengan antes de caminar con la tijera de podar o de bajarla.
- En caso de emergencia:
 - Apague el motor de inmediato y retire la batería.
- El contacto con objetos extraños durante el corte puede dañar las cuchillas y hacer que se agrieten, se astillen, se rompan o se atoren. Para reducir el riesgo de sufrir lesiones personales graves o mortales debido a la pérdida de control y para disminuir el riesgo de daños a la tijera de podar:
 - Inspeccione el material que va a cortar y la zona que lo rodea en busca de piedras, alambres de vallas, metales u otros objetos extraños antes de empezar a trabajar. No use la tijera de podar en áreas donde las cuchillas de corte puedan entrar en contacto con estos materiales.
 - Tenga especial cuidado cuando corte cerca de o junto a vallas de alambre. No toque el alambre con las cuchillas.
 - Cuando trabaje cerca del suelo, asegúrese de que no entren arena, grava ni piedras entre las cuchillas de corte.
 - No corte ninguna zona de un seto, arbusto, mata u otra vegetación que no pueda ver.
- Para reducir el riesgo de lesiones en los espectadores:
 - No permita que otras personas se acerquen a la zona general de trabajo.
 - Si está podando la parte superior de un arbusto más alto, inspeccione frecuentemente el otro lado del arbusto para cerciorarse de que no haya personas, animales ni obstrucciones.
- Revise las cuchillas de corte con frecuencia y regularidad durante el trabajo, o inmediatamente si nota cambios en el comportamiento de la máquina durante el corte:
 - Apague la tijera de podar y quite la batería.
 - Compruebe le estado, el apriete y el filo de las cuchillas de corte.

- Revise la tijera de podar en busca de piezas sueltas (tuercas, tornillos, etc.) y cuchillas de corte agrietadas, dobladas, deformadas o dañadas. Sustituya las cuchillas de corte dañadas antes de usar la tijera de podar.
- Siempre mantenga las cuchillas de corte bien afiladas.
- Para reducir la fricción y la acumulación de suciedad en las cuchillas, las cuales pueden interferir en el correcto funcionamiento de la tijera de podar:
 - STIHL le recomienda que rocíe las cuchillas de corte con un disolvente de resinas, como el lubricante y eliminador de resinas STIHL, antes de comenzar a trabajar.

PELIGRO

- Para reducir el riesgo de electrocución:



- Nunca utilice esta tijera de podar cerca de alambres o cables que puedan tener corriente eléctrica.
- No confíe en el aislamiento de la tijera de podar contra descargas eléctricas.


7 Seguridad de la batería

7.1 Advertencias e instrucciones

ADVERTENCIA

- El uso de baterías no autorizadas puede dañar la tijera de podar y causar incendios, explosiones, lesiones personales y daños a la propiedad.
 - Use solo baterías de la serie STIHL AS genuinas.
- El uso de baterías de la serie STIHL AS para cualquier fin que no sea alimentar las herramientas motorizadas STIHL podría ser extremadamente peligroso.
 - Use las baterías de la serie STIHL AS solo con herramientas motorizadas STIHL compatibles.
- El uso de cargadores no autorizados puede causar daños en la batería y provocar incendios, explosiones, lesiones y daños materiales.
 - Use solo cargadores de la serie STIHL AL 1 auténticos para cargar las baterías de la serie STIHL AS.
- La batería tiene funciones y dispositivos de seguridad que, de dañarse, pueden provocar que la batería genere calor, se rompa, pierda líquido, se incendie o explote.
 - Nunca permita que la temperatura de la batería supere los 212 °F (100 °C).
 - Nunca prenda fuego a la batería, ni la coloque sobre o junto a fuegos, estufas u otro tipo de objetos que alcancen temperaturas muy altas.
 - Nunca use ni cargue una batería que no funcione correctamente o que esté dañada, agrietada, deformada o pierda líquido.
 - Nunca abra, desmonte ni golpee la batería; no la deje caer ni la exponga a impactos fuertes o a daños de cualquier otro tipo.
 - Nunca exponga la batería a microondas ni a presiones elevadas.



- Nunca introduzca objetos en las ranuras de ventilación de la batería.
- Las temperaturas extremas pueden hacer que la batería genere calor, se rompa, pierda líquido, se incendie o explote, lo que podría causar lesiones graves o fatales y daños materiales.
 - Nunca cargue, utilice o almacene la batería fuera de los límites de temperatura ambiente especificados,  24.5.
 - Nunca guarde la batería en un lugar expuesto a la luz solar directa ni dentro de un vehículo si la temperatura exterior es elevada.
- Para reducir el riesgo de que se produzcan lesiones personales y daños materiales en caso de que la batería humee, emita un olor inusual o se caliente más de lo habitual durante el uso, la carga o el almacenamiento:
 - Deje de usar o de cargar de la batería inmediatamente. Póngase en contacto con las autoridades en caso de incendio o explosión.
- Para reducir el riesgo de que se produzca un cortocircuito, que podría causar, a su vez, una descarga eléctrica, un incendio o una explosión:
 - No moje la batería. Protéjalo de la lluvia, del agua, de cualquier líquido y de la humedad.
 - Nunca sumerja la batería en agua ni en otros líquidos.
 - Nunca puentee los terminales de la batería con alambres ni con otros objetos metálicos.
 - Cuando no la esté usando, mantenga la batería alejada de objetos metálicos (p. ej., presillas para papel, clavos, monedas, llaves).
 - Nunca transporte ni guarde la batería en un recipiente de metal.
 - Guarde la batería bajo techo, en un lugar seco.
 - Nunca guarde la batería en entornos húmedos o corrosivos, ni en condiciones que podrían provocar corrosión en los componentes metálicos.
- Nunca guarde la batería en la tijera de podar o en el cargador.
- Proteja la batería de la exposición a productos corrosivos, como las sustancias químicas utilizadas en el jardín o las sales descongelantes.
- Proteja la batería de la exposición a líquidos conductores como el agua salada.
- No intente reparar, abrir ni desmontar la batería. No contiene ninguna pieza que el usuario pueda reparar sin ayuda.
- El líquido que contiene la batería, y que puede derramarse en determinadas circunstancias, es potencialmente nocivo y puede provocar irritaciones en los ojos y en la piel, quemaduras químicas y otras lesiones graves.
 - Evite el contacto con la piel y con los ojos.
 - Para recoger el líquido de batería derramado, use un producto absorbente inerte, como la arena.
 - En caso de contacto accidental, limpie inmediatamente y a fondo la zona afectada con un jabón suave y agua.
 - Si le entra líquido de batería en los ojos: no se lo frote. Aclárese los ojos con agua corriente durante al menos 15 minutos y acuda al servicio médico más cercano.
- Si la batería se prende fuego, puede resultar peligrosa. Para reducir el riesgo de que se produzcan lesiones personales graves y daños materiales, en caso de incendio:
 - Evacue la zona. El fuego se puede extender rápidamente. Manténgase lejos de cualquier vapor que se genere y respete una distancia de seguridad suficiente.
 - Avise a los bomberos.
 - Aunque se puede usar agua para apagar un incendio de batería, es preferible utilizar un extintor de incendios de polvo químico multiuso.



- El cuerpo de bomberos le informará sobre la forma adecuada de eliminar una batería que se ha incendiado.
- Si la batería se cae, puede provocar lesiones o daños materiales. Para evitar que la batería se caiga al sacarla:
 - Tenga cuidado cuando saque la batería.

8 Seguridad del cargador

8.1 Advertencias e instrucciones


ADVERTENCIA

- Para reducir el riesgo de incendios y choques eléctricos, así como de otras lesiones y daños materiales:

- Lea y respete todas las marcas de precaución del cargador, de la batería y de la tijera de podar, y todas las instrucciones de este manual antes de usar el cargador.
- Cargue únicamente baterías de la serie STIHL AS auténticas. Otras baterías podrían reventar, incendiarse o explotar, y causar lesiones o daños materiales.



- Para uso en interiores únicamente.
- Mantenga el cargador seco en todo momento. Protéjalo de la lluvia, del agua, de cualquier líquido y de la humedad. Nunca inserte una batería húmeda ni use el cargador si está mojado.
- No manipule el cargador, su cordón eléctrico ni su enchufe con las manos mojadas.
- Nunca use el cargador si está dañado.
- Nunca cargue baterías que estén defectuosas, dañadas, agrietadas o deformadas, o que pierdan líquido.
- Nunca guarde una batería en el cargador.

- Utilice el cargador únicamente bajo techo, en recintos secos.
- Utilice el cargador sólo dentro de los límites de temperatura ambiente especificados,  24.5.
- Mantenga el cargador fuera del alcance de los niños.
- Siempre enchufe el cargador a un tomacorriente de pared que esté instalado correctamente, y que tenga los mismos valores de voltaje y frecuencia eléctrica que se indican en el cargador.
- Nunca use zapatillas eléctricas para hacer funcionar varios cargadores u otros dispositivos desde el mismo tomacorriente o en el mismo circuito.
- No utilice el cargador si este ha recibido un golpe fuerte, si se ha caído o se ha dañado de cualquier otro modo.
- No intente reparar, abrir ni desarmar el cargador. No contiene ninguna pieza que el usuario pueda reparar sin ayuda.
- Para reducir el riesgo de descarga eléctrica o de incendio a consecuencia de un cortocircuito:
 - Asegúrese de que la batería y el cargador están completamente secos antes de iniciar el proceso de carga.
 - Nunca puentee los contactos del cargador con cables ni con otros objetos metálicos.
 - No inserte ningún objeto en las ranuras de enfriamiento del cargador.
- El cargador se calienta durante el proceso de carga. Para reducir el riesgo de incendio:
 - No ponga en funcionamiento el equipo sobre superficies combustibles (p. ej., papel, cartón o telas), ni en entornos combustibles.
 - Deje que el cargador se enfríe por sí solo. No lo cubra.

- Los cargadores pueden producir chispas que, a su vez, pueden encender gases, líquidos, vapores, polvos u otros materiales combustibles. Para reducir el riesgo de incendios y explosiones:
 - No utilice la máquina en un lugar en el que haya gases, líquidos, vapores, polvos u otros materiales combustibles.
- El uso de un cordón eléctrico o de un enchufe que estén dañados puede provocar incendios, descargas eléctricas y otras lesiones personales, así como daños materiales. Para reducir estos riesgos:



- Revise regularmente el cable eléctrico y el enchufe del cargador para comprobar si tienen daños. Si detecta daños, retire el enchufe inmediatamente del tomacorriente.
- Si el cordón eléctrico está dañado, solicite a un concesionario de servicio STIHL autorizado que lo reemplace.
- Desenchufe el cable de alimentación del tomacorriente cuando no esté usando el cargador.
- Nunca tire del cordón eléctrico para sacar el enchufe del tomacorriente. Para desenchufar la máquina, agarre el enchufe, y no el cordón.
- No use el cordón eléctrico para transportar ni sostener el cargador.
- Asegúrese de que el cordón eléctrico está colocado o marcado de modo que nadie pueda pisarlo ni tropezarse con él; compruebe que no está en contacto con objetos cortantes ni con partes móviles ni expuesto a ningún otro daño o esfuerzo.
- No se debe usar un alargador a menos que sea absolutamente inevitable. Sobrecargar un alargador puede provocar sobrecalentamiento e incendios. Si es imprescindible utilizar un alargador:
 - Use únicamente un alargador debidamente formado con alambres de calibre 16 (AWG 16) o mayor, y con una longitud no superior a 75 pies.
 - Nunca conecte más de un cargador u otro dispositivo a un alargador.
- Nunca use un alargador que tenga un vataje inferior al que figura en la placa de características del cargador.
- Nunca use un alargador si las clavijas del enchufe difieren de las clavijas del enchufe del cargador en cantidad, tamaño o forma.
- No una varios alargadores (en cadena).
- El circuito eléctrico doméstico típico es de entre 15 y 20 amperios. Un cargador STIHL AL 1 consume aproximadamente 0,275 amperios. Para reducir el riesgo de incendios provocados por la sobrecarga de un circuito eléctrico:
 - Asegúrese de que el sistema eléctrico reúne las características necesarias para resistir el consumo eléctrico previsible antes de iniciar la carga.
 - Si tiene que cargar varias baterías, cárguelas una a una o en circuitos separados, a menos que tenga la certeza de que su circuito resistirá el consumo total que necesitan todos los cargadores.
- En caso de incendio, o si el cargador o la batería humean o emanan un olor inusual, si están calientes o presentan cualquier otra anomalía durante el proceso de carga:
 - Desconecte el cargador de la toma de corriente de inmediato. Póngase en contacto con las autoridades en caso de incendio o explosión.
- Para reducir el riesgo de choques eléctricos y de otras lesiones, así como de daños materiales, al montar el cargador:
 - Asegúrese de que no pasan cables eléctricos, tuberías ni otros conductos de servicio por detrás de la pared donde va a montar el cargador.
 - Monte el cargador solo como se describe en este manual.
 - Retire la batería antes de montar el cargador.

9 Mantenimiento, reparación y almacenamiento

9.1 Advertencias e instrucciones

⚠ ADVERTENCIA

- La tijera de podar, la batería y el cargador no contienen piezas que el usuario esté autorizado a reparar. Para reducir el riesgo de incendios, descargas eléctricas o lesiones de otro tipo, así como de años materiales:
 - Los usuarios deben realizar únicamente los trabajos de mantenimiento y limpieza que se describen en este manual.
 - Respete escrupulosamente las instrucciones de limpieza y mantenimiento que se dan en las secciones correspondientes de este manual de instrucciones.
 - STIHL le recomienda que encargue la realización de los trabajos de reparación a un concesionario de servicio STIHL autorizado.
- Un arranque accidental puede provocar lesiones o daños materiales. Para reducir el riesgo de lesiones y de daños materiales provocados por un arranque accidental:
 - Quite la batería antes de inspeccionar la tijera de podar o de llevar a cabo cualquier trabajo de limpieza, mantenimiento o reparación, antes de guardarla y siempre que la tijera de podar no esté en uso.
- Las cuchillas de corte son las únicas piezas de la tijera de podar que el usuario puede reparar. Un mantenimiento adecuado ayudará a mantener intacto el rendimiento de corte y a reducir el riesgo de lesiones.
 - Use guantes de trabajo gruesos y antideslizantes cuando manipule las cuchillas de corte.
 - Mantenga las cuchillas de corte limpias y afiladas.
 - Tighten all nuts, bolts and screws after each use.






- Nunca intente reparar cuchillas de corte dañadas aplicándoles soldadura, enderezándolas o modificándoles su forma. Esto puede provocar un desgaste excesivo o despaseo en partes de las cuchillas de corte, u otro daño que podría derivar en un fallo de funcionamiento o en una rotura durante el funcionamiento y causar lesiones graves o mortales.
- El uso de piezas no autorizadas o no aprobadas por STIHL puede provocar lesiones graves o mortales, así como daños materiales.
 - Para llevar a cabo tareas de reparación o mantenimiento, STIHL recomienda utilizar únicamente piezas de repuesto STIHL idénticas a las originales.
- Para reducir el riesgo de una descarga eléctrica:
 - Antes de inspeccionar o limpiar el cargador, desenchúfelo del tomacorriente de pared.
 - Revise regularmente el cargador y asegúrese de que el aislamiento del cable eléctrico y el enchufe están en buenas condiciones y de que no muestran signos de deterioro (fragilidad), desgaste ni daños.
 - Reemplace el cargador si el cable eléctrico se desgasta o se daña. El cordón eléctrico no se puede reparar ni reemplazar.
- Para reducir el riesgo de cortocircuitos e incendios:
 - Mantenga las ranuras de la batería libres de cuerpos extraños. Límpielas siempre que sea necesario con un paño seco o con un cepillo suave y seco.
- Un almacenamiento incorrecto puede resultar en un uso no autorizado, provocar daños en la tijera de podar, en la batería y en el cargador y aumentar el riesgo de incendio, descarga eléctrica y de otras lesiones o daños materiales.
 - Retire la batería de la tijera de podar antes de almacenarla.
 - Nunca guarde la tijera de podar y el cargador con la batería puesta.
 - Antes de guardar la máquina, siempre desenchufe el cargador del tomacorriente y quite la batería.

- Guarde la tijera de podar, la batería y el cargador bajo techo, en un lugar seco y seguro al que no puedan acceder niños ni otras personas no autorizadas.
- Nunca guarde la batería en la tijera de podar, en el cargador o en un envase metálico, ni en un envase junto con objetos metálicos (por ejemplo, presillas para papel, clavos, monedas, llaves, etc.).

10 Antes de empezar a trabajar

10.1 Preparación de la tijera de podar para el funcionamiento:



Antes de empezar a trabajar:

- ▶ Cargue la batería completamente.  11.
- ▶ Instale las cuchillas para arbustos o pasto.  13.1.
- ▶ Verifique que los controles funcionen correctamente y se encuentren en buenas condiciones.  16.
- ▶ Compruebe que el accesorio de corte no presente daños u otros problemas.

11 Carga de la batería

11.1 Preparación del cargador para el funcionamiento

ADVERTENCIA


Lea y siga las medidas de seguridad que se ven en la batería y en el cargador, y las advertencias e instrucciones de este manual,  6. Para reducir el riesgo de cortocircuito, que podría provocar una descarga eléctrica, un incendio y una explosión, asegúrese de que el cargador y sus componentes estén secos y no estén dañados; opere el cargador puertas adentro a la temperatura ambiente adecuada,  6.

ADVERTENCIA

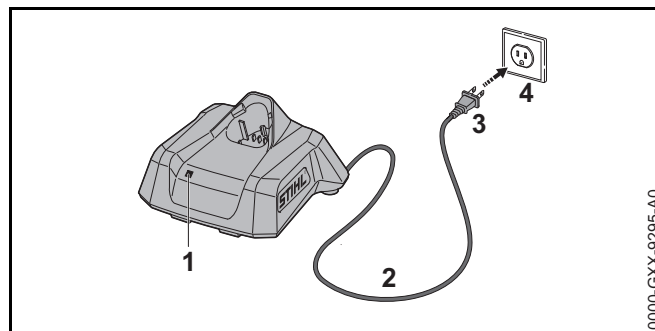
El circuito eléctrico doméstico típico es de entre 15 y 20 amperios. Un cargador STIHL AL 1 consume aproximadamente 0,275 amperios. Para reducir el riesgo de incendios provocados por la sobrecarga de un circuito eléctrico:

- ▶ Asegúrese de que el sistema eléctrico tiene capacidad suficiente para resistir el consumo eléctrico previsto antes de cargar la batería.
- ▶ Si tiene que cargar varias baterías, cárguelas una a una o en circuitos separados, a menos que tenga la certeza de que su circuito resistirá el consumo total que necesitan todos los cargadores.

ADVERTENCIA

Dado que la batería y el cargador se calientan durante el proceso de carga, no ponga el cargador en funcionamiento sobre superficies combustibles o en un lugar donde haya gases, líquidos, vapores, polvo u otros materiales combustibles,  6.

Para preparar el cargador para el funcionamiento:



- ▶ Inserte el enchufe (3) en una toma de corriente eléctrica (4) correctamente instalada y que coincida con la tensión y la frecuencia eléctrica indicadas en la placa de características del cargador.



El cargador ejecutará una autoprueba inmediatamente después de enchufarlo. El LED (1) se iluminará en verde durante 1 segundo aproximadamente, y luego en rojo por un

lapso breve hasta apagarse. Una vez que el LED se apaga, la autopruueba ha finalizado y el cargador está listo para cargar la batería.

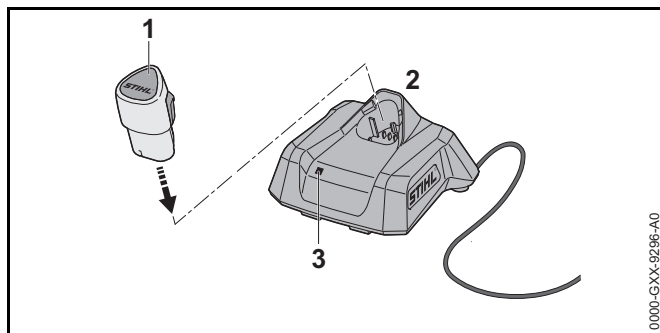
- Ubique el cordón eléctrico (2) como para que no se lo pise, cause tropezos, esté en contacto con objetos cortantes o partes móviles o, de otro modo sujeto, a daño o esfuerzo.

11.2 Carga

A ADVERTENCIA

Las baterías STIHL tienen características y dispositivos de seguridad que, de dañarse, pueden provocar que la batería genere calor, se rompa, pierda líquido, se incendie o explote. Nunca cargue una batería que funcione mal, que presente daños, grietas o fugas o que esté deformada, ni utilice un cargador dañado,  6. Asegúrese de que el cargador y la batería que va a cargar están completamente secos antes de iniciar la carga,  8.1. Respete todas las advertencias e instrucciones específicas que se adjuntan con su batería.

Para cargar la batería:




- Inserte la batería (1) en el cargador (2) hasta que haga tope. El LED del cargador (3) se ilumina o destella en verde cuando la batería se está cargando.

Cuando el LED del cargador se apague, el proceso de carga habrá finalizado y el cargador se apagará. La batería puede retirarse del cargador.

- Desenchufe el cordón eléctrico del tomacorriente cuando el cargador no se vaya a usar durante un periodo prolongado.

La batería no se suministra completamente cargada de fábrica. STIHL le recomienda que cargue la batería por completo antes de usarla por primera vez.

Utilice el cargador en interiores, en un lugar seco. Para un rendimiento óptimo, respete los rangos de temperatura ambiente recomendados,  24.6.

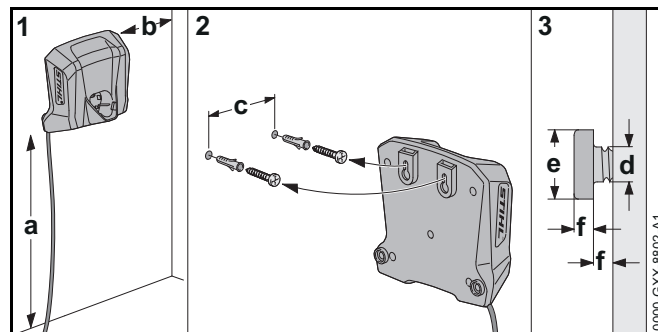
La batería se calienta durante el funcionamiento. Si se inserta en el cargador una batería caliente, puede ser necesario dejarla enfriar antes de cargarla. El proceso de carga solo comienza una vez que la batería se ha enfriado lo suficiente.

El tiempo de carga depende de varios factores, tales como el estado de la batería y la temperatura ambiente. Si quiere ver una lista completa de los tiempos de carga aproximados, visite www.stihl.com/charging-times.

11.3 Montaje del cargador en una pared

Antes del montaje, asegúrese de que no pasan cables eléctricos, tuberías ni otros conductos de servicio detrás del lugar en que va a instalar el cargador.

Para montar el cargador de pared:



- Monte el cargador bajo techo, en un lugar seco y cerca de un tomacorriente de pared.

- ▶ Introduzca los tornillos en un montante de pared. Utilice anclajes de pared roscados adecuados u otros elementos de montaje similares si no hay montantes disponibles.
- ▶ Alinee el cargador como se muestra más arriba. Haga la instalación en una pared que tenga las siguientes dimensiones:
 - a = como mínimo, 18 in. (450 mm)
 - b = como mínimo, 3,9 in. (100 mm)
 - c = 2,1 in. (54 mm)
 - d = 0,2 in. (4,5 mm)
 - e = 0,4 in. (9 mm)
 - f = 0,1 in. (2,5 mm)

12 Diagnóstico de LED

12.1 LED del podador de jardín

12.1.1 Estado del podador de jardín

Los LED de la tijera de podar indican el estado de la herramienta motorizada.

Si tres LED se encienden en rojo continuamente, el motor de la tijera de podar está demasiado caliente. Deje que el motor se enfríe.

Si tres LED destellan en rojo cuando activa el gatillo, la tijera de podar tiene un defecto eléctrico. No use la tijera de podar. Solicite a un concesionario de servicio STIHL autorizado que la revise antes de usarlo.

Para información de localización de averías,  23.

12.1.2 Estado de la batería

Los mismos LED de la tijera de podar indican el estado de la batería.

Estos LED pueden encenderse o destellar en verde o rojo.

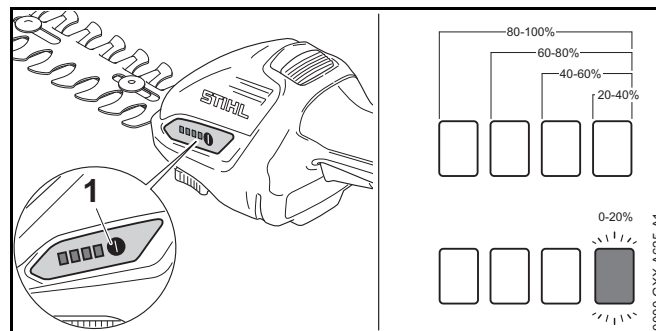
Si un LED se enciende en rojo continuamente, la batería está demasiado caliente o demasiado fría. Deje que la batería se caliente o se enfríe gradualmente a una temperatura ambiente de aproximadamente 10 °C a 20 °C (50 °F a 68 °F).

Si los cuatro LED destellan en rojo, la batería está averiada y debe reemplazarse. No intente cargar, usar ni guardar la batería.

12.1.3 Estado de carga

Los LED de la tijera de podar también muestran el estado de carga de la batería.

Para determinar el estado de carga de la batería:



- ▶ Inserte la batería.
- ▶ Oprima el botón (1).
Los LED de la tijera de podar se encenderán o destellarán en verde por unos 5 segundos e indicarán el estado de carga (vea la ilustración).

Por ejemplo:

Si cuatro LED se encienden en verde continuamente: carga plena.

Si un LED destella en verde: queda menos del 20 % de la carga.

12.2 LED en el cargador

Un LED muestra el estado del cargador y de la batería. El LED puede encenderse o destellar en verde o rojo.



Si el LED se ilumina continuamente en verde o destella verde: la batería se está cargando.



Si el LED destella en rojo: no hay contacto entre la batería y el cargador. Retire y vuelva a colocar la batería.

o

La batería está averiada y es necesario reemplazarla. No use ni cargue la batería.

o

El cargador está averiado. Solicite a un concesionario de servicio STIHL autorizado que lo revise antes de usarlo.

Si el LED se ilumina continuamente en rojo: La batería está muy caliente o muy fría para cargarse. Deje que la batería se caliente o se enfríe gradualmente a una temperatura ambiente de aproximadamente 10 °C a 20 °C (50 °F a 68 °F).

Para obtener más información, 23.

13 Montaje y retiro de un accesorio de corte

13.1 Montaje del accesorio de corte

ADVERTENCIA

Antes de comenzar la instalación, asegúrese de que la batería no esté colocada.

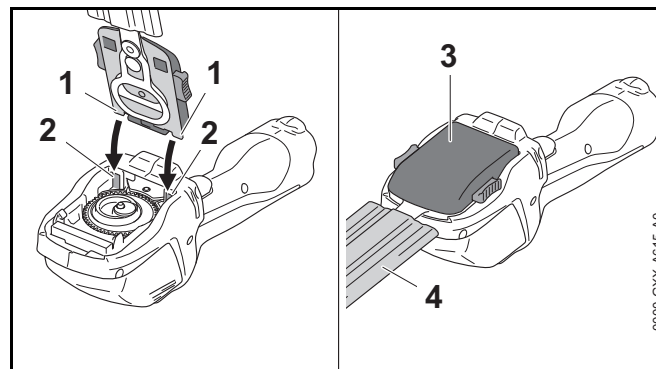
ADVERTENCIA

Entrar en contacto con los cortadores podría causar lesiones graves, aunque las cuchillas de corte estén detenidas. 6.5. Use siempre guantes resistentes al montar o manipular las cuchillas de corte, 6.4.

Las cuchillas para pasto y las cuchillas para arbustos se instalan de la misma forma en la tijera de podar.

Para instalar la cuchilla de corte:

- ▶ Apague la tijera de podar, 15.2.
- ▶ Retire la batería, 14.2.
- ▶ Deslice la funda de la cuchilla por las cuchillas de corte de modo que cubra por completo el accesorio de corte.

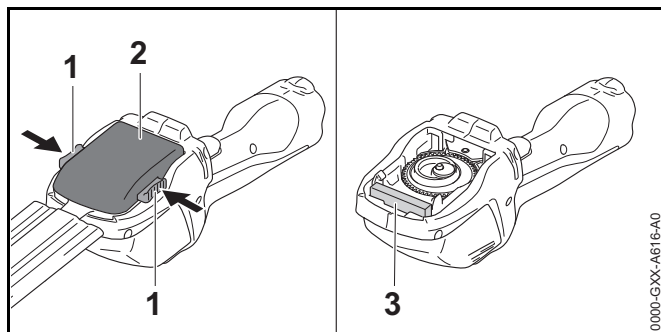


- ▶ Inserte los sujetadores (1) del accesorio de corte en las guías (2) de la tijera de podar.
- ▶ Mueva el otro extremo del accesorio de corte (3) hacia abajo, y presione firmemente hasta que se escuche un clic.
- ▶ Saque la funda de la cuchilla (4).

13.2 Retiro del accesorio de corte

Para retirar el accesorio de corte:

- ▶ Apague la tijera de podar, 15.2.
- ▶ Retire la batería, 14.2.
- ▶ Deslice la funda de la cuchilla por las cuchillas de corte de modo que cubra por completo el accesorio de corte.



- ▶ Presione las palancas de bloqueo (1) para desbloquear el accesorio de corte (2).
- ▶ Levante para retirar el accesorio de corte.

INDICACIÓN

Un trozo de espuma (3) protege el engranaje de la suciedad durante el funcionamiento. Este trozo de espuma está firmemente sujeto a la tijera de podar y no se puede retirar.

14 Colocación y extracción de la batería.

14.1 Colocación de la batería

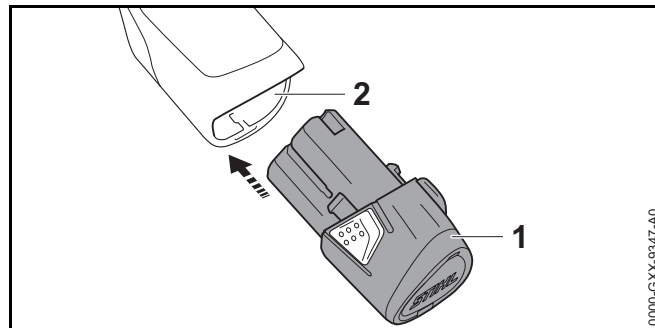
⚠ ADVERTENCIA

Nunca use una batería que esté defectuosa, dañada, agrietada, que pierda líquido o esté deformada, 7. Nunca cargue, utilice o almacene la batería fuera de los límites de temperatura ambiente especificados, 24.5.

⚠ ADVERTENCIA

Para reducir el riesgo de activación accidental, nunca guarde la batería en la tijera de podar, 20.2.

Para colocar la batería:



- ▶ Inserte la batería (1) en su compartimiento (2) hasta que haga tope. La batería está colocada correctamente cuando se escucha un chasquido.

Las baterías nuevas no están completamente cargadas. Por eso, STIHL recomienda cargarlas por completo antes de usarlas por primera vez, 11.

14.2 Extracción de la batería

⚠ ADVERTENCIA

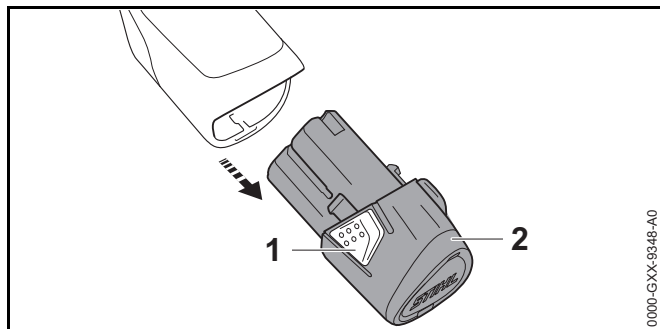
Para reducir el riesgo de lesiones graves provocadas por una activación accidental, siempre quite la batería antes de armar, transportar, ajustar, limpiar, reparar, mantener o guardar la tijera de podar, y siempre que no se esté usando.

⚠ ADVERTENCIA

Saque la batería con cuidado, para evitar que se caiga y provoque lesiones o daños materiales.

Para quitar la batería:

- ▶ Suelte el gatillo.



- ▶ Comprima las palancas de bloqueo (1) de ambos lados y saque la batería (2) tirando de ella.

INDICACIÓN

Evite exponer la batería a un calor excesivo o a la luz solar directa durante períodos prolongados. El uso o el almacenamiento a temperaturas no incluidas en el rango de temperatura ambiente recomendado pueden reducir el rendimiento de la batería.

15 Encendido y apagado de la tijera de podar

15.1 Encendido

⚠ ADVERTENCIA

Para reducir el riesgo de que el operador o los espectadores sufran lesiones graves o mortales debido al contacto con las cuchillas, mantenga las manos, los pies y cualquier otra parte del cuerpo alejados de las cuchillas de corte, 6.6.2. No toque las cuchillas mientras la batería está colocada. Nunca toque cuchillas en movimiento con las manos ni con cualquier otra parte del cuerpo, 6.6.4.

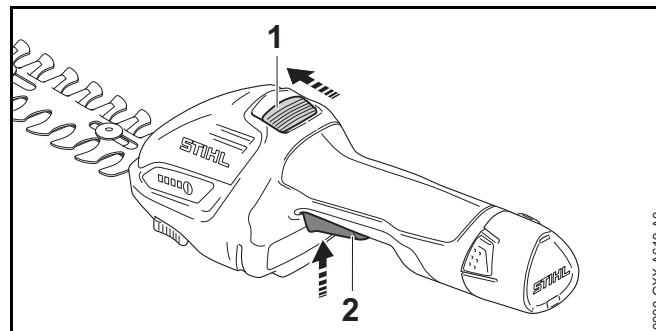
⚠ ADVERTENCIA

Nunca opere la tijera de podar si está modificada, dañada, mal ajustada o reparada, no fue armada completo y debidamente o no funciona de manera correcta, 6.5. Para reducir el riesgo de lesiones personales, use siempre ropa adecuada y trajes protectores, incluso protección adecuada para los ojos cuando utilice la tijera de podar, 6.4.

Antes de encender la máquina:

- ▶ Asegúrese de tener los pies bien apoyados.
- ▶ Párese derecho.
- ▶ Siempre sostenga y maneje la tijera de podar colocando firmemente una mano en el mango de control. Mantenga la otra mano alejada del accesorio de corte.

Para encender la tijera de podar:



- ▶ Desbloquee el pestillo de retención (1) por medio de empujarlo hacia adelante con su dedo pulgar. Manténgalo en esta posición de desbloqueo.
- ▶ Oprima el gatillo (2) con el dedo índice. Las cuchillas de corte comenzarán a moverse.

El motor no se encenderá hasta que se desbloquee el pestillo de retención y se pulse el gatillo. Cuando el accesorio de corte se haya activado, suelte el pestillo de retención.

15.2 Apagado

! ADVERTENCIA

Las cuchillas de corte seguirán moviéndose por un tiempo breve después de que se suelta el gatillo. Para evitar lesiones graves o mortales, no esté en contacto con las cuchillas en movimiento. Para reducir el riesgo de lesiones personales causadas por la activación accidental o el uso no autorizado, apague el motor, asegúrese de que las cuchillas de corte se hayan detenido y retire la batería antes de transportar o de bajar la tijera de podar.

Para apagar la tijera de podar:

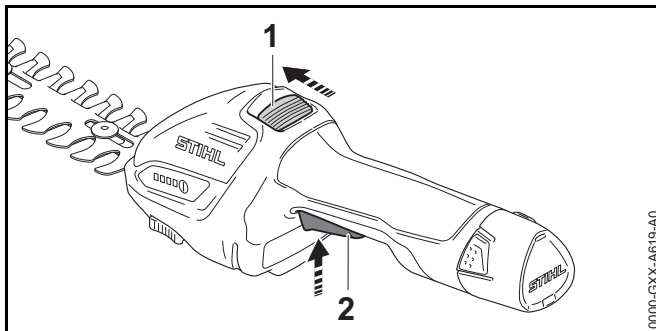
- ▶ Suelte el gatillo.
Cuando haya soltado el gatillo y el pestillo de retención, este volverá a la posición de bloqueo y se bloqueará la activación del gatillo.

Las cuchillas de corte seguirán moviéndose por un tiempo breve después que se suelta el gatillo. Evite el contacto después de haber soltado el gatillo y al colocar la tijera de podar en el suelo.

16 Revisión de los controles

16.1 Prueba de los controles

Antes de comenzar a trabajar, confirme que el pestillo de retención (1) y el gatillo (2) estén libres de daños y funcionen correctamente:



0000-GXX-PA619-A0

Pestillo de retención (1) y gatillo (2)

! ADVERTENCIA

Para reducir el riesgo de lesiones graves o mortales, mantenga las manos, los pies y cualquier otra parte del cuerpo alejados de las cuchillas de corte. No toque las cuchillas mientras la batería está colocada. Nunca toque cuchillas en movimiento con las manos ni con cualquier otra parte del cuerpo, 6.6.2. Mantenga a las demás personas alejadas de la zona mientras prueba los controles.

Para probar el pestillo de retención y el gatillo:

- ▶ Retire la batería.
- ▶ Desbloquee el pestillo de retención al presionarlo hacia adelante con el pulgar.
- ▶ Mantenga el pestillo de retención en la posición de desbloqueo.
- ▶ Presione el gatillo por un instante.
- ▶ Suelte el pestillo de retención y el gatillo.
El pestillo de retención y el gatillo deben volver a sus respectivas posiciones de bloqueo. Si no lo hacen, lleve la tijera de podar a un concesionario de servicio STIHL autorizado para que la reparen antes de utilizarla.

Si el gatillo se puede presionar sin antes desbloquear el pestillo de retención, lleve la tijera de podar a un concesionario de servicio STIHL autorizado para que la reparen antes de utilizarla.


17 Durante el funcionamiento

17.1 Corte de arbustos


! ADVERTENCIA

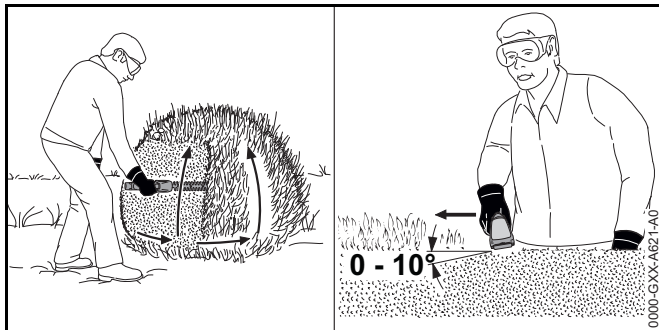
Para reducir el riesgo de lesiones, nunca use la tijera de podar bajo la lluvia o en condiciones en que la humedad sea muy elevada, 6.5. Siempre use ropa adecuada y equipos de protección, incluidas gafas de seguridad apropiadas, 6.4. Trabaje con cuidado y mantenga un control adecuado de la tijera de podar, 6.6.2.

! ADVERTENCIA

Para evitar lesiones graves o incluso mortales, evite el contacto con las cuchillas de corte en movimiento. Nunca sujete el material que va a cortar. Nunca retire el material cortado sin soltar el gatillo y quitar la batería antes. Suelte el gatillo y saque la batería antes de retirar el material que se haya atascado,  6.6.4.

La tijera de podar está diseñada para usarse con una sola mano.

- ▶ Monte las cuchillas para arbustos,  13.1.
- ▶ Antes de empezar a trabajar con la tijera de podar, retire las ramas gruesas con una sierra de poda manual, con una podadora, con una motosierra o con una herramienta similar que sea adecuada.




Corte en un plano vertical

- ▶ Mueva la tijera desde la parte inferior del arbusto hacia arriba, dibujando un arco controlado (vea la ilustración de arriba).
- ▶ Baje la punta del accesorio de corte, desplácela a lo largo del arbusto y mueva el accesorio de corte de nuevo hacia arriba en un arco controlado.

Corte en un plano horizontal



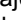

- ▶ Sostenga el accesorio de corte a un ángulo de entre 0° y 10° a medida que lo mueve en horizontal, usando los dos lados del accesorio de corte (véase la ilustración superior).

Para un rendimiento óptimo, respete los rangos de temperatura ambiente recomendados,  24.6.


Respete todas las leyes, las regulaciones, los estándares y las normas aplicables.

17.2 Corte de pasto


! ADVERTENCIA

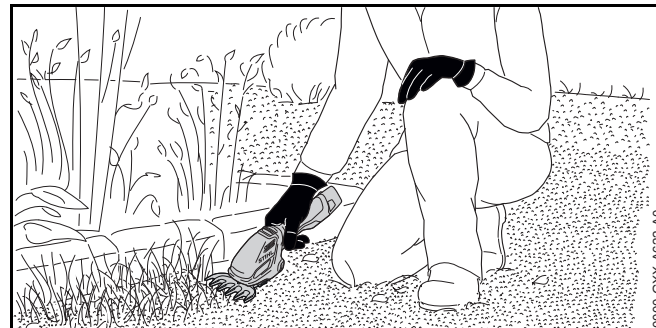
Para reducir el riesgo de lesiones, nunca use la tijera de podar bajo la lluvia o en condiciones en que la humedad sea muy elevada,  6.5. Siempre use ropa adecuada y equipos de protección, incluidas gafas de seguridad apropiadas,  6.4. Asegúrese de que no hay nadie en la zona de trabajo,  6.6.4. Trabaje con cuidado y mantenga un control adecuado de la tijera de podar,  6.6.2.

! ADVERTENCIA


Para evitar lesiones graves o incluso mortales, evite el contacto con las cuchillas de corte en movimiento. Nunca sujete el material que va a cortar. Nunca retire el material cortado sin soltar el gatillo y quitar la batería antes. Suelte el gatillo y saque la batería antes de retirar el material que se haya atascado,  6.6.4.

La tijera de podar está diseñada para usarse con una sola mano.

- ▶ Monte las cuchillas para pasto,  13.1.



- ▶ Guíe la tijera de podar en paralelo al suelo (vea la ilustración superior).
- ▶ Avance lentamente.

Para un rendimiento óptimo, respete los rangos de temperatura ambiente recomendados,  24.6.

Respete todas las leyes, las regulaciones, los estándares y las normas aplicables.



18 Después de completar el trabajo

18.1 Preparación para el transporte o el almacenamiento

ADVERTENCIA

Para reducir el riesgo de lesiones personales causadas por la activación accidental o el uso no autorizado, apague el motor, asegúrese de que las cuchillas de corte se hayan detenido y retire la batería antes de transportar o de bajar la tijera de podar.

Para preparar la tijera de podar para el transporte o el almacenamiento:

- ▶ Apague la tijera de podar.  15.2.
- ▶ Retire la batería.  14.2.
- ▶ Deslice la funda de la cuchilla por las cuchillas de corte de modo que cubra por completo el accesorio de corte.
- ▶ Si la tijera de podar o la batería se humedecieron durante el funcionamiento, deje que se sequen por completo antes de cargarlas o guardarlas.

19 Transporte de la tijera de podar y de la batería

19.1 Tijera de podar

ADVERTENCIA

Cubra por completo las cuchillas de corte con una funda antes de transportar o guardar la tijera de podar para reducir el riesgo de lesiones cortantes causadas por el contacto accidental.


Al transportar la tijera de podar:

- ▶ Deslice o pliegue la funda de la cuchilla por las cuchillas de corte de modo que cubra por completo el accesorio de corte.
- ▶ Cuando transporte la tijera de podar con la mano, sosténgala por el mango de control. Evite el contacto con el accesorio de corte.
- ▶ Cuando transporte la tijera de podar en un vehículo, cubra toda la longitud del accesorio de corte con una funda, y coloque la tijera de forma segura en su bolso de transporte (si lo tiene). Asegure y coloque la tijera de podar de manera tal que se eviten vuelcos, impactos y daños.

Como característica estándar, la tijera de podar viene con dos fundas: una para las cuchillas para arbustos y otra para las cuchillas para pasto.

19.2 Batería

ADVERTENCIA

Para reducir el riesgo de cortocircuito, que podría generar una descarga eléctrica, un incendio o una explosión, nunca transporte la batería en un contenedor metálico o cerca de objetos de metal (por ejemplo, presillas de papel, clavos, monedas, llaves),  7

Al transportar la batería:

- ▶ Coloque la batería en un contenedor o una caja no metálicos y protéjala de impactos o daños. Nunca transporte la batería en un envase metálico u otro contenedor capaz de conducir electricidad, ni cerca de objetos metálicos (por ejemplo, presillas para papel, clavos, monedas, llaves, etc.).
- ▶ Si transporta la batería en un vehículo, asegúrela junto con su contenedor para prevenir vuelcos, impactos y daños.

Las baterías STIHL cumplen con los requisitos descritos en el Manual UN ST/SG/AC.10/11/Ver.5/Parte III, Subsección 38.3.


El transporte comercial por aire, agua y tierra de celdas de ion de litio y baterías está regulado. Esta batería está clasificada como un producto UN 3480, Clase 9 y grupo de envasado II. Para transportarla, ya sea como parte de la herramienta completa o sola, es necesario cumplir con todas las normas de transporte correspondientes. Antes del transporte o traslado, consulte con la empresa de transporte por tierra o agua, o bien con la aerolínea de carga o pasajeros, para determinar si el transporte está prohibido o sujeto a restricciones o exenciones.

Por lo general, el usuario no necesita cumplir con ninguna condición adicional para poder transportar baterías STIHL por carretera hasta el sitio donde se encuentra la herramienta eléctrica. Verifique y respete cualquier norma especial que pudiera aplicarse a su situación.

Para obtener más información, visite www.stihlusa.com/battery-transportation-safety.

19.3 Cargador


Para transportar correctamente el cargador:


- ▶ Desconecte el cargador del tomacorriente.
- ▶ Retire la batería del cargador.
- ▶ Enrolle el cable eléctrico y sujételo al cargador,  20.3.
- ▶ Cuando transporte el cargador en un vehículo, cerciórese de que está asegurado de manera que no puede volcar, golpearse ni sufrir daños.

20 Almacenamiento de la tijera de podar, la batería y el cargador



20.1 Tijera de podar

ADVERTENCIA

Guarde la tijera de podar bajo techo, en un lugar seco y bajo llave al que los niños y otras personas no autorizadas no puedan acceder,  9 Nunca guarde la batería en la tijera



de podar o en el cargador. Un procedimiento incorrecto de almacenamiento podría permitir el uso no autorizado de la tijera de podar y causarle daños,  9.

Al guardar la tijera de podar:



- ▶ Limpie la tijera de podar,  21.1
- ▶ Limpie las cuchillas de corte,  21.2.
- ▶ Guarde la tijera de podar bajo techo, en un lugar seco y bajo llave, fuera del alcance de los niños y de otras personas no autorizadas.

20.2 Batería

ADVERTENCIA

Para reducir el riesgo de que se produzca un cortocircuito que, a su vez, podría causar una descarga eléctrica, un incendio o una explosión, nunca guarde la batería en un recipiente metálico ni cerca de objetos de metal,  7. Si la batería está húmeda o mojada, espere a que se seque por completo antes de guardarla,  7.

ADVERTENCIA

Las temperaturas extremas pueden dañar la batería y provocar que esta genere calor, se rompa, pierda líquido, se incendie o explote, lo que podría causar lesiones personales graves o fatales y daños materiales. Nunca cargue, utilice o almacene la batería fuera de los límites de temperatura ambiente especificados,  24.5. Nunca guarde la batería en un lugar expuesto a la luz solar directa ni dentro de un vehículo si la temperatura exterior es elevada,  7.

Para guardar correctamente la batería:

- ▶ Retire la batería de la tijera de podar o del cargador.
- ▶ Asegúrese de que la batería está seca y guárdela bajo techo, en un lugar seco y seguro.
- ▶ Asegúrese de que queda fuera del alcance de los niños y de otras personas no autorizadas.
- ▶ Proteja la batería de la humedad y de los productos corrosivos, como las sustancias químicas utilizadas en el jardín o las sales descongelantes.

- ▶ Proteja la batería de la exposición a líquidos conductores como el agua salada.
- ▶ Para alargar al máximo la vida útil de su batería, guárdela a una temperatura ambiente de entre 50 °F y 68 °F (10 °C y 20 °C), con un nivel de carga de entre el 40 % y el 60 % (2 LED verdes iluminados).
- ▶ Las baterías de repuesto no deben permanecer inutilizadas. Use todas sus baterías, por turnos.

INDICACIÓN

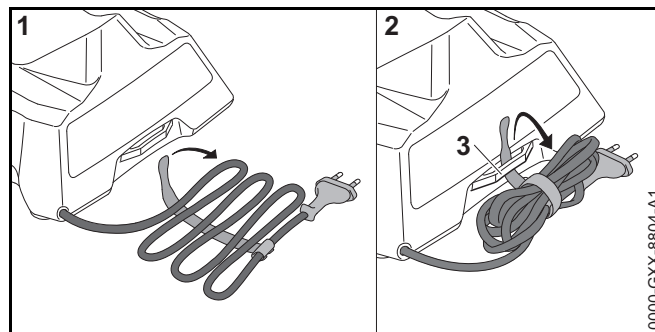
Una batería que no se almacena correctamente puede sufrir una descarga profunda, lo que puede provocar daños permanentes. Para evitar una descarga profunda:

- ▶ Cargue la batería antes de guardarla. Para obtener la máxima duración de la batería, guárdela con una carga entre el 40 % y el 60 % (2 LEDs verdes).
- ▶ Retire la batería de la tijera de podar después de terminar el trabajo.
- ▶ Retire la batería del cargador una vez completada la carga.
- ▶ Para obtener la máxima duración de la batería, guárdela a una temperatura ambiente de entre 50 °F y 68 °F (10 °C y 20 °C).

20.3 Cargador

Para almacenar el cargador correctamente:

- ▶ Desconecte el cargador del tomacorriente.
- ▶ Retire la batería del cargador.




- ▶ Enrolle el cable eléctrico y sujételo al cargador.
- ▶ Guarde el cargador bajo techo, en un lugar seco y seguro.
- ▶ Asegúrese de que queda fuera del alcance de los niños y de otras personas no autorizadas.
- ▶ Nunca cuelgue el cargador por el cable eléctrico ni por el soporte del cable (3).

21 Limpieza

21.1 Limpieza de la tijera de podar, de la batería y del cargador

⚠ ADVERTENCIA

Para reducir el riesgo de lesiones provocadas por una activación accidental, quite la batería antes de realizar cualquier trabajo de limpieza,  9. Los usuarios de esta tijera de podar deben llevar a cabo únicamente las tareas de limpieza que se describen en este manual.



Para limpiar la tijera de podar, la batería y el cargador:

- ▶ Limpie los componentes de polímero de la tijera de podar con un paño ligeramente húmedo. No use detergentes ni disolventes. Estos productos pueden dañar los componentes de polímero.
- ▶ No utilice una hidrolavadora para limpiar la tijera de podar, ni la rocíe con agua ni con otros líquidos.

- ▶ Mantenga la carcasa y las guías de la batería libres de cuerpos extraños, y límpielas siempre que sea necesario con un cepillo blando o con un paño suave y seco.
- ▶ Mantenga los contactos eléctricos y la carcasa del cargador libres de materias extrañas. Límpielos siempre que sea necesario con un cepillo suave o con un paño suave y seco. Desenchufe el cargador siempre antes de limpiarlo.

21.2 Limpieza de las cuchillas de corte

ADVERTENCIA

Para reducir el riesgo de lesiones personales por la activación accidental, quite la batería antes de realizar el trabajo de limpieza,  9. Los usuarios de esta tijera de podar deben efectuar únicamente la limpieza descrita en este manual. Para ayudar a evitar lesiones, siempre use guantes resistentes al manipular la tijera de podar o las cuchillas de corte,  6.4

Para limpiar las cuchillas de corte:

- ▶ Rocíe sobre ambas cuchillas de corte un solvente de resinas, como el lubricante y eliminador de resinas STIHL.
- ▶ Inserte la batería y encienda la tijera de podar durante unos segundos para distribuir de manera pareja el disolvente de resina en las cuchillas de corte.
- ▶ No utilice una hidrolavadora para limpiar las cuchillas de corte ni las rocíe con agua u otros líquidos.

autorizadas para los usuarios. STIHL recomienda que los concesionarios de servicio STIHL autorizados efectúen los trabajos de reparación.



El mantenimiento adecuado de la tijera de podar incluye las siguientes actividades:

- ▶ Afíle las cuchillas de corte.
- ▶ Remplace las cuchillas de corte averiadas.
- ▶ Si las etiquetas de seguridad están dañadas o faltan, solicite etiquetas de repuesto a un concesionario de servicio STIHL autorizado.

Si usted está reclamando cobertura de garantía para algún componente que no ha sido reparado o mantenido debidamente, es posible que se deniegue la garantía.

22.2 Cuchillas de corte

ADVERTENCIA

Para reducir el riesgo de lesiones personales por la activación accidental, quite la batería antes de inspeccionar las cuchillas o realizar algún trabajo de mantenimiento,  9. Para ayudar a evitar lesiones, siempre use guantes resistentes al manipular la tijera de podar o las cuchillas de corte,  6.4 STIHL recomienda que solicite a un concesionario de servicio STIHL autorizado que afíle las cuchillas de corte.


Aunque es mejor llevar a afilar las cuchillas de corte a un concesionario, se puede utilizar una lima afiladora transversal para afilar las cuchillas de corte.

Afíle las cuchillas de corte cuando el rendimiento de corte comience a deteriorarse, es decir, cuando las cuchillas se atoren en las ramas o no corten hábilmente el material.

22 Inspección y mantenimiento


22.1 Tijera de podar

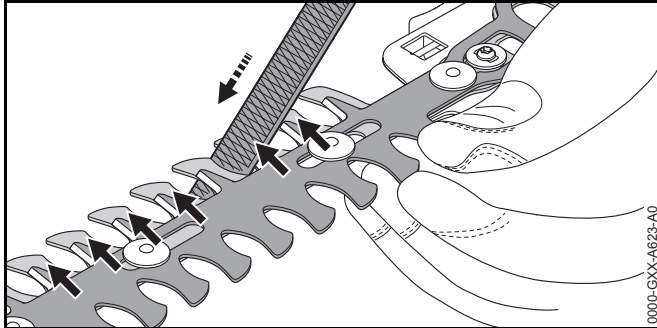
ADVERTENCIA


Para reducir el riesgo de lesiones personales por la activación accidental, quite la batería antes de inspeccionar la tijera de podar o realizar cualquier mantenimiento,  9. Efectúe únicamente las operaciones de mantenimiento que se describen en este manual. No hay reparaciones

Cuchillas para arbustos

Para afilar las cuchillas para arbustos con una lima:


- ▶ Retire las cuchillas para arbustos de la tijera de podar,  13.2

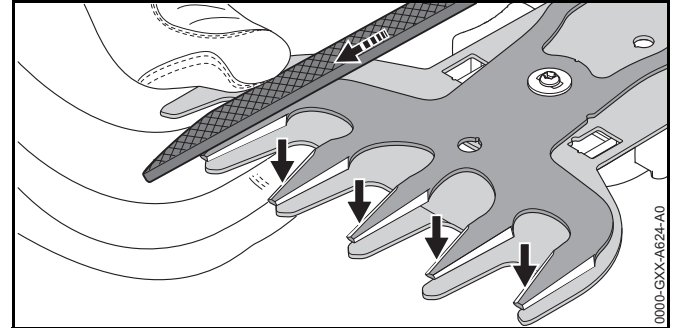




- ▶ Afíle cada borde de corte de la cuchilla para arbustos superior con una lima afiladora. Siempre pase la lima por el borde de corte con un movimiento hacia adelante. La lima solo afila en la pasada hacia delante. Levante la lima de la cuchilla en la pasada de vuelta.
- ▶ Solo afíle los bordes. No pase la lima por las partes desafiladas que sobresalgan del accesorio de corte o el protector de la cuchilla de corte. Asegúrese de que la pasada de afilado coincida con el ángulo de afilado,  24.2.
- ▶ Gire la tijera de podar y afíle los bordes de corte de la cuchilla para arbustos inferior.
- ▶ Utilice una piedra de amolar para quitar las rebabas de los bordes de corte. Quite la menor cantidad posible de material.
- ▶ Después de afilar, limpie los restos de partículas metálicas y el polvo con un paño seco o levemente humedecido y, luego, rocíe sobre las cuchillas de corte un disolvente de resinas, como el lubricante y eliminador de resinas STIHL.

Cuchillas para pasto

Para afilar las cuchillas para pasto con una lima:

- ▶ Retire las cuchillas para pasto de la tijera de podar,  13.2



- ▶ Mueva la cuchilla para pasto superior completamente en un sentido de modo que una cara de los bordes cortantes esté fácilmente accesible.
- ▶ Afíle cada borde de corte accesible de la cuchilla para pasto superior con una lima afiladora. Siempre pase la lima por el filo con un movimiento hacia adelante que corresponda con el ángulo de afilado,  24.2. Afíle en el movimiento hacia delante. Levante la lima de la cuchilla en la pasada de vuelta.
- ▶ Solo afíle los bordes. No pase la lima por las partes desafiladas que sobresalgan del accesorio de corte o el protector de la cuchilla de corte. Asegúrese de que la pasada de afilado coincida con el ángulo de afilado,  24.2.
- ▶ Mueva la cuchilla para pasto superior completamente en el otro sentido de modo que la otra cara de los bordes cortantes esté fácilmente accesible y luego afíle el resto de los bordes de corte.
- ▶ Utilice una piedra de amolar para quitar las rebabas de los bordes de corte. Quite la menor cantidad posible de material.

- ▶ Después de afilar, limpie los restos de partículas metálicas y el polvo con un paño seco o levemente humedecido y, luego, rocíe sobre las cuchillas de corte un disolvente de resinas, como el lubricante y eliminador de resinas STIHL.







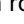

INDICACIÓN

Usar la herramienta con cuchillas de corte dañadas o sin filo puede sobrecargar el motor. Mantener las cuchillas de corte afiladas ayuda a conservar el rendimiento de corte y la vida útil esperada del producto.




23 Guía de solución de problemas

23.1 Tijera de podar y batería

Siempre retire la batería antes de realizar cualquier trabajo de inspección, limpieza o mantenimiento.

Problema	LED de la tijera de podar	Posible causa	Solución
La tijera de podar no se pone en marcha cuando se enciende.		No hay contacto eléctrico entre la tijera de podar y la batería.	<ul style="list-style-type: none"> ▶ Retire la batería,  14.2. ▶ Inspeccione visualmente los contactos eléctricos del compartimento de la batería y de la batería. ▶ Vuelva a colocar la batería,  14.1.
	1 LED destella en verde.	La batería tiene poca carga.	▶ Cargue la batería,  11.
	1 LED se ilumina en rojo.	La batería está demasiado caliente/demasiado fría.	▶ Espere a que la batería se caliente o se enfríe gradualmente hasta alcanzar una temperatura ambiente de entre 50 °F y 68 °F aproximadamente (de 10 °C a 20 °C).
	4 LED destellan en rojo.	La batería no funciona correctamente.	<ul style="list-style-type: none"> ▶ Retire la batería y colóquela de nuevo,  14. ▶ Encienda la tijera de podar,  15.1. ▶ Si los LED siguen destellando, no intente usar la máquina. La batería no funciona correctamente, y es necesario cambiarla.
	3 LED iluminados en rojo.	La tijera de podar está demasiado caliente.	▶ Espere a que la tijera de podar se enfríe.
	3 LED destellan en rojo.	Avería en la tijera de podar.	<ul style="list-style-type: none"> ▶ Retire la batería y colóquela de nuevo,  14. ▶ Encienda la tijera de podar,  15.1. ▶ Si los LED siguen destellando, no intente usar la máquina. La tijera de podar tiene una avería y debe ser revisada en un concesionario de servicio.
		Las cuchillas de corte no están limpias y lubricadas.	<ul style="list-style-type: none"> ▶ Limpie las cuchillas de corte,  21.2. ▶ Si los LED siguen destellando, no intente usar la máquina. El cortasetos tiene una avería y debe ser revisado en un concesionario de servicio.

Siempre retire la batería antes de realizar cualquier trabajo de inspección, limpieza o mantenimiento.

Problema	LED de la tijera de podar	Posible causa	Solución
La tijera de podar se apaga durante el funcionamiento.	1 LED se ilumina en rojo.	La batería está demasiado caliente/demasiado fría.	<ul style="list-style-type: none"> ▶ Retire la batería,  13.2. ▶ Espere a que la tijera de podar y la batería se calienten o se enfríen gradualmente hasta alcanzar una temperatura ambiente de entre 50 °F y 68 °F aproximadamente (entre 10 °C y 20 °C).
	3 LED iluminados en rojo.	La tijera de podar está demasiado caliente.	
El tiempo de funcionamiento es demasiado corto.		La batería no está completamente cargada.	▶ Cargue la batería,  11.
		Se alcanzó o se superó la vida útil de la batería.	▶ Lleve la batería a un concesionario de servicio STIHL autorizado para que la revisen.
La batería no se carga, aunque el LED del cargador está encendido en verde.	1 LED se ilumina en rojo.	La batería está demasiado caliente/demasiado fría.	<ul style="list-style-type: none"> ▶ Espere a que la batería se caliente o se enfríe gradualmente hasta alcanzar una temperatura ambiente de entre 50 °F y 68 °F aproximadamente (de 10 °C a 20 °C). ▶ Utilice el cargador en interiores, en un lugar seco. Para un rendimiento óptimo, respete los rangos de temperatura ambiente recomendados,  24.6.

23.2 Cargador

Problema	LED del cargador	Causa	Solución
La batería no se está cargando.	LED encendido en rojo.	La batería está demasiado caliente/demasiado fría.	▶ Espere a que la batería se caliente o se enfríe gradualmente hasta alcanzar una temperatura ambiente de entre 50 °F y 68 °F aproximadamente (de 10 °C a 20 °C).
	El LED destella en rojo.	No hay contacto eléctrico entre el cargador y la batería.	▶ Retire la batería y vuelva a insertarla en el cargador.

Problema	LED del cargador	Causa	Solución
		Cargador averiado.	<ul style="list-style-type: none"> ▶ No utilice el cargador. ▶ Solicite a un concesionario de servicio STIHL autorizado que revise el cargador.
		La batería no funciona correctamente.	<ul style="list-style-type: none"> ▶ No use la batería. ▶ Lleve la batería a un concesionario de servicio STIHL autorizado para que la revisen.
El cargador no lleva a cabo ninguna prueba automática.	El LED no se ilumina en verde durante aproximadamente 1 segundo y luego en rojo durante 1 segundo aproximadamente.	El contacto eléctrico con el cargador se ha interrumpido brevemente.	<ul style="list-style-type: none"> ▶ Retire el enchufe del tomacorriente. ▶ Espere 1 minuto. ▶ Inserte el enchufe en un tomacorriente.

24 Especificaciones

24.1 STIHL HSA 26

Para uso doméstico.

- Tipo de batería aprobado: gama AS de STIHL
- Peso sin batería:
 - Con cuchillas para arbustos: 1,8 lbs (0,8 kg)
 - Con cuchillas para pasto: 1,5 lbs (0,7 kg)

24.2 Accesorios de corte

Cuchillas para arbustos

- Distancia de apertura de dientes de cuchilla (máxima): 8 mm (0,32 pulg)
- Espacio entre dientes: 19 mm (0,75 pulg)
- Largo de corte: 200 mm (7,85 pulg)
- Ángulo de afilado: 30°

Cuchillas para pasto

- Espacio entre dientes: 16 mm (0,63 pulg)
- Largo de corte: 120 mm (4,7 pulg)
- Ángulo de afilado: 35°

24.3 Batería STIHL serie AS

Tipo de cargador aprobado: STIHL series AL 1.

- Tecnología de la batería: ion de litio
- Voltaje: 10,8 V
- Capacidad nominal en Ah¹: Véase la placa de características
- Energía acumulada en Wh²: Véase la placa de características

¹ Capacidad nominal calculada de acuerdo con CEI 61960. La energía útil disponible para el operador será menor.

- Peso en kg: Ver placa de características

Si quiere ver una lista completa de los tiempos de carga aproximados, visite www.stihl.com/charging-times.

Para obtener una lista completa de tiempos de funcionamiento aproximados de la batería, visite www.stihl.com/battery-life.

24.4 STIHL AL 1

- Voltaje de alimentación: consulte la placa de características
- Corriente nominal: consulte la placa de características
- Frecuencia: consulte la chapa de identificación
- Corriente de carga: consulte la placa de características
- Potencia nominal: consulte la placa de características
- Aislamiento: consulte la placa de características

24.5 Límites de temperatura ambiente



ADVERTENCIA

Las temperaturas extremas pueden dañar la batería y provocar que esta genere calor, se rompa, pierda líquido, se incendie o explote, lo que podría causar lesiones personales graves o fatales y daños materiales. Nunca cargue, utilice o almacene la batería fuera de los límites de temperatura ambiente especificados a continuación.

- ▶ No cargue la batería por debajo de - 4 °F (- 20 °C) ni por encima de 122 °F (50°C).
- ▶ No utilice la tijera de podar, la batería o el cargador por debajo de - 4 °F (- 20 °C) ni por encima de 122 °F (50 °C).
- ▶ No almacene la tijera de podar, la batería o el cargador por debajo de - 4 °F (- 20 °C) ni por encima de 158 °F (70 °C).

² En la batería figura la energía acumulada de acuerdo con los datos facilitados por el fabricante de las pilas. La energía útil disponible para el operador será menor.

24.6 Recomendaciones de temperatura ambiente

Para un rendimiento óptimo, respete los siguientes rangos de temperatura ambiente para la tijer de podar, la batería e el cargador:

- Cargando: 41 °F a 86 °F (5 °C a 30 °C)
- Uso: de 32 °F a 86 °F (de 0 °C a 30 °C)
- Almacenamiento: - 4 °F a 122 °F (- 20 °C a 50 °C)

Cargar, utilizar o almacenar la batería fuera de los rangos de temperatura ambiente recomendados puede reducir su rendimiento.

24.7 Símbolos en la tijera de podar, la batería y el cargador

Símbolo	Significado
V	Voltio
Hz	Hercio
A	Amperio
Ah	Amperio-hora
W	Vatio
Wh	Vatio-hora



Marca de certificación/listado de UL

LISTED



Los productos STIHL no se deben eliminar junto con la basura doméstica, sino de acuerdo con las leyes y normas locales, estatales y federales y como se especifica en este manual, 26.



Corriente continua



Número de pilas y energía acumulada de acuerdo con las especificaciones del fabricante de las pilas. La cantidad de energía aprovechable será menor.



El sello RBRC indica que STIHL ha pagado por adelantado el reciclaje de la batería



Lea el manual



Usar y guardar únicamente bajo techo y en recintos secos.

24.8 Mejoramientos técnicos

STIHL tiene la filosofía de mejorar continuamente todos sus productos. Como resultado de ello, periódicamente se introducen cambios de diseño y mejoras. Por lo tanto, es posible que algunos cambios, modificaciones y mejoras no se describan en este manual. Si las características de funcionamiento o la apariencia de su máquina difieren de las descritas en este manual, comuníquese con el concesionario STIHL para obtener la ayuda que requiera.

24.9 Declaración de cumplimiento con norma FCC 15

Este dispositivo cumple con la parte 15 de las normas de la FCC.

El funcionamiento está sujeto a las dos condiciones dadas a continuación:

- este dispositivo no deberá causar interferencias nocivas.
- este dispositivo deberá aceptar todas las interferencias que reciba, incluso las interferencias que pudieran causar un funcionamiento no deseado.

Nota: Este equipo ha sido sometido a prueba y se ha hallado que cumple con los límites de los dispositivos digitales Categoría B, según la parte 15 del Reglamento de la FCC. Estos límites están diseñados para ofrecer protección razonable contra las interferencias nocivas en una instalación residencial. Este equipo genera, utiliza y puede irradiar energía a radiofrecuencias y, si no se lo instala y utiliza conforme a las presentes instrucciones, podría causar interferencias nocivas para las comunicaciones por radio. No obstante, no se ofrece garantía alguna de que la interferencia no ocurrirá en una instalación particular.

Si este equipo llegara a causar interferencias perjudiciales a la recepción de radio o televisión, lo cual puede

determinarse encendiendo y apagando el equipo, se le indica al usuario que intente corregir la interferencia por medio de tomar una o más de las medidas siguientes:

- reoriente o cambie la ubicación de la antena de recepción,
- aumente la separación entre el equipo y el receptor,
- conecte el equipo a un tomacorriente de un circuito diferente al cual está conectado el receptor,
- consulte a un concesionario de servicio STIHL autorizado o a un técnico de radio/TV experto para recibir ayuda.

No cambie ni modifique este producto en modo alguno, a menos que se le indique específicamente hacerlo en este manual, puesto que podría anular la autoridad de usarlo.

25 Piezas y equipos de repuesto

25.1 Piezas de repuesto originales de STIHL

STIHL recomienda el uso de piezas de repuesto originales de STIHL. Es posible identificar las piezas originales de STIHL por el número de pieza STIHL, el logotipo de **STIHL** y, en ciertos casos, el símbolo **GI** de piezas STIHL. En las piezas pequeñas el símbolo puede aparecer solo.

26 Eliminación

26.1 Eliminación de la tijera de podar y el cargador

Los productos STIHL no se deben desechar junto con la basura del hogar, sino de la manera en que se detalla en este manual.

- ▶ Lleve la tijera de podar, el cargador, los accesorios y el embalaje a un vertedero autorizado para reciclarlos y contribuir al cuidado del medio ambiente.
- ▶ Comuníquese con un concesionario de servicio STIHL autorizado para obtener la información más actualizada sobre eliminación y reciclado.

26.2 Reciclado de las baterías

ADVERTENCIA

Manipule las baterías descargadas/agotadas con cuidado. Aunque parezca que están descargadas, las baterías de ion de litio nunca se descargan completamente y pueden generar una corriente de cortocircuito peligrosa. Si se dañan o exponen a temperaturas extremas, pueden perder líquido, generar calor, incendiarse o explotar.

- ▶ Respete todas las leyes y normas federales, estatales y locales sobre eliminación de desechos.
- ▶ Comuníquese con un concesionario de servicio STIHL autorizado para obtener la información más actualizada acerca de la eliminación de desechos.
- ▶ Recicle las baterías agotadas rápidamente.
- ▶ Mantenga las baterías alejadas de los niños. No desarme el producto ni lo incinere.



STIHL está comprometida con el desarrollo de productos que protejan el medio ambiente. Este compromiso no termina cuando el producto sale del concesionario de servicio STIHL autorizado. STIHL se asoció con la RBRC (Corporación de Reciclaje de Baterías Recargables) para fomentar la recolección y el reciclado de baterías de ion de litio STIHL en los Estados Unidos y Canadá.

El sello de la RBRC indica que STIHL ya aportó dinero para el reciclado de la batería. El sello de la RBRC lleva impreso un número telefónico gratuito (1-800-822-8837) que le permite acceder a información sobre lugares de reciclaje de baterías y prohibiciones o restricciones respecto del reciclado de baterías en su zona. También puede devolver las baterías a cualquier concesionario de servicio STIHL autorizado para reciclarlas gratuitamente.

27 Garantía limitada

27.1 Política de garantía limitada de STIHL Incorporated

Este producto se vende sujeto a la Política de garantía limitada de STIHL Incorporated, disponible en www.stihlusa.com/warranty.html. También puede obtenerlo de un concesionario de servicio STIHL autorizado o llamando al 1-800-GO-STIHL (1-800-467-8445).

28 Marcas comerciales

28.1 Marcas comerciales registradas

STIHL®

STIHL®



La combinación de colores anaranjado-gris (Registros en EE. UU. #2,821,860; #3,010,057, #3,010,058, #3,400,477; y #3,400,476)

AutoCut®

YARD BOSS®

STIHL ROLLOMATIC®

WOOD BOSS®



FARM BOSS®

iCademy®

MAGNUM®

MasterWrench Service®

MotoMix®

OILOMATIC®

ROCK BOSS®

STIHL Cutquik®

STIHL DUROMATIC®

STIHL Quickstop®



STIHL WOOD BOSS®

TIMBERSPORTS®



28.2 Marcas comerciales por ley común

4-MIX™	HT Plus™
BioPlus™	STIHL PowerSweep™
Easy2Start™	STIHL Protech™

EasySpool™	STIHL MiniBoss™
ElastoStart™	STIHL MotoPlus 4™
Ematic™	Master Control Lever™
STIHL Precision Series™	STIHL OUTFITTERS™
FixCut™	STIHL PICCO™
Micro™	TrimCut™
Pro Mark™	STIHL M-Tronic™
Quad Power™	STIHL HomeScaper Series™
Quiet Line™	STIHL PolyCut™
STIHL Arctic™	STIHL RAPID™
STIHL Compact™	STIHL SuperCut™
STIHL Interchangeable Attachment Series™	STIHL Multi-Cut HomeScaper Series™
TapAction™	STIHL Territory™
	

Esta lista de marcas comerciales está sujeta a cambios.

Queda terminantemente prohibido todo uso de estas marcas comerciales sin el consentimiento expreso por escrito de ANDREAS STIHL AG & Co. KG, Waiblingen.

29 Direcciones

29.1 STIHL Incorporated

STIHL Incorporated
536 Viking Drive
P.O. Box 2015
Virginia Beach, VA
23452-2015

⚠ WARNING

Use of these garden shears can generate dust and other substances containing chemicals known to the State of California to cause cancer, birth defects or other reproductive harm.

⚠ ADVERTENCIA

El uso de estos recortasetos puede generar polvo y otras sustancias que contienen productos químicos considerados por el Estado de California como causantes de cáncer, defectos de nacimiento u otra toxicidad reproductora.

⚠ WARNING

The garden shears, battery and charger contain chemicals known to the State of California to cause cancer, birth defects or other reproductive harm.

⚠ ADVERTENCIA

Estos recortasetos, esta batería y este cargador contienen productos químicos considerados por el Estado de California como causantes de cáncer, defectos de nacimiento u otra toxicidad reproductora.

0458-601-8621-A

englisch / spanisch USA



www.stihl.com



0458-601-8621-A