

STIHL

STIHL RB 400

Instruction Manual
Manual de instrucciones



WARNING

Read Instruction Manual thoroughly before use and follow all safety precautions – improper use can cause serious or fatal injury.

ADVERTENCIA

Antes de usar la máquina lea y siga todas las precauciones de seguridad dadas en el manual de instrucciones – el uso incorrecto puede causar lesiones graves o mortales.



Instruction Manual

1 - 27

Manual de instrucciones

28 - 56

Contents

Guide to Using this Manual	2
Safety Precautions and Working Techniques	2
Transporting the Unit	11
Before the First Use	12
Connecting and Removing the High-Pressure Hose	13
Connecting the Water Supply	14
Inserting and Removing the Spray Nozzle	15
Starting the Engine	16
Working	16
Adding Detergent	17
Shutting off the Engine	17
After Finishing Work	18
Storing the Machine	18
Maintenance and Care	19
Maintenance	20
Main Parts	21
Specifications	22
Troubleshooting	24
Maintenance and Repairs	26
Disposal	26
Limited Warranty	26
Trademarks	27

This Manual contains operating and safety instructions for the STIHL RB pressure washer, which is powered by a Kohler gasoline engine. To reduce the risk of serious or fatal injury, it is important that you read, understand and follow the safety precautions and instructions in this instruction manual and the accompanying Kohler owner's manual before using your pressure washer. For further information you can go to www.stihlusa.com (for Canada: www.stihl.ca)

Allow only persons who fully understand this manual to operate your pressure washer.

Contact your STIHL dealer or the STIHL distributor for your area if you do not understand any of the instructions in this manual.

WARNING

Because the pressure washer is gasoline-powered and produces a strong water jet, special safety precautions must be observed to reduce the risk of personal injury. Careless or improper use may cause serious or even fatal injury.

STIHL

Guide to Using this Manual

Symbols in Text

Many operating and safety instructions are supported by illustrations.

The individual steps or procedures described in the manual may be shown in different ways:

- A bullet indicates a step or procedure.

A description of a step or procedure that refers directly to an illustration may contain item numbers that appear in the illustration. For example:

- Remove the screw (1)
- Pull the spark arresting screen (2) upwards out of the muffler

In addition to the operating instructions, this manual may contain paragraphs that require your special attention. Such paragraphs are indicated with the symbols and signal words described below:

DANGER

Indicates a hazardous situation that, if not avoided, will result in death or serious injury.

WARNING

Indicates a hazardous situation that, if not avoided, could result in death or serious injury.

NOTICE

Indicates a risk of property damage, including damage to the machine or its individual components.

Engineering Improvements

STIHL's philosophy is to continually improve all of its products. As a result, engineering changes and improvements are made from time to time. Therefore, some changes, modifications and improvements may not be covered in this manual. If the operating characteristics or the appearance of your machine differs from those described in this manual, please contact your STIHL dealer or the STIHL distributor for your area for assistance.

Safety Precautions and Working Techniques

IMPORTANT SAFETY INSTRUCTIONS



Because the pressure washer is gasoline-powered and produces a powerful water jet, special safety precautions must be observed to reduce the risk of personal injury.



It is important that you read, fully understand and observe the safety precautions and warnings in this instruction manual and the warnings and instructions in the owner's manual for the Kohler engine. Read both manuals before use and periodically thereafter. Careless or improper use may cause serious or fatal injury.

Have your STIHL dealer show you how to operate your pressure washer. A first time operator should obtain practical instruction before using the pressure washer. Observe all applicable national, state and local laws, safety regulations, standards and ordinances.

! WARNING

This pressure washer is to be used only by qualified operators. Minors and untrained persons should never be allowed to use this pressure washer.

Do not lend or rent your pressure washer without the instruction manuals. Be sure that anyone using it understands the information contained in this manual and the accompanying Kohler manual.

! WARNING

Use your pressure washer only for cleaning solid surfaces and other items that will not be damaged by water or the force of the spray jet. Do not use it for other purposes, since misuse may result in personal injury or property damage, including damage to the machine.

! WARNING

To reduce the risk of injury, bystanders, especially children, and animals should not be allowed in the work area while the pressure washer is in use. Close supervision of children is necessary to ensure that they do not enter the work area or play with the machine.

! WARNING

To reduce the risk of injury to bystanders and damage to property, never let your pressure washer run unattended. When it is not in use (e.g., during a work break), shut it off and make sure that unauthorized persons do not use it.

Most of these safety precautions and warnings apply to the use of all STIHL pressure washers. Different models may have different parts and controls. See the appropriate section of this instruction manual and the accompanying Kohler manual for a description of the controls and the function of the parts of your model.

Safe use of a pressure washer involves

1. the operator
2. the pressure washer
3. the use of the pressure washer.

THE OPERATOR**Physical Condition**

You must be in good physical condition and mental health and not under the influence of any substance (drugs, alcohol, etc.) which might impair vision, dexterity or judgment.

! WARNING

Be alert – if you get tired, take a break. Do not operate this machine when you are fatigued. Tiredness may result in loss of control. Working with any pressure washer can be strenuous. If you have any condition that might be aggravated by strenuous work, check with your doctor before operating this machine.

! WARNING

The ignition system of the engine produces an electromagnetic field of a very low intensity. This field may interfere with some pacemakers. To

reduce the risk of serious or fatal injury, persons with a pacemaker should consult their physician and the pacemaker manufacturer before operating this pressure washer.

Proper Clothing**! WARNING**

To reduce the risk of injury, the operator should wear proper protective apparel.

! WARNING

To reduce the risk of eye injury, always wear goggles that are impact-rated and marked as complying with ANSI Z87 "+". Wearers of prescription (Rx) eyewear should wear goggles that can be worn over prescription lenses without disrupting either the prescription eyewear or the proper fit of the goggles.

The noise of the pressure washer may damage your hearing. Always wear sound barriers (ear plugs or ear muffs) to help protect your hearing. Regular users should have their hearing checked regularly.

Be particularly alert and cautious when wearing hearing protection because your ability to hear warnings (shouts, alarms, etc.) is restricted.

Wear boots with non-slip soles.

THE PRESSURE WASHER

For illustrations and definitions of the pressure washer parts, see the chapter on "Main Parts."

WARNING

Never modify this pressure washer in any way. Only attachments supplied by STIHL or expressly approved by STIHL for use with the specific STIHL model are authorized. Although certain unauthorized attachments are usable with STIHL pressure washers, their use may, in fact, be extremely dangerous.

If this pressure washer is subjected to unusually high loads for which it was not designed (e.g., heavy impact or a fall), always check that it is in good condition before continuing work. Check in particular that the fuel system is tight (no leaks) and that the controls and safety devices are working properly. Do not continue operating this machine if it is damaged. In case of doubt, have it checked by your STIHL servicing dealer.

THE USE OF THE PRESSURE WASHER

Transporting the pressure washer

WARNING

Always switch off the engine before transporting the pressure washer. When transporting the pressure washer in a vehicle, properly secure it to prevent turnover, fuel spillage and damage.

STIHL recommends filling the pump with antifreeze if the pressure washer is to be transported or stored at temperatures near or below 32 °F (0 °C). See the storage information at the end of this chapter and the chapter "Storing the Machine."

WARNING

Use caution when opening or folding down the pushbar. Avoid pinching hands or other body parts between the pushbar and housing.

Fuel

WARNING



Gasoline is an extremely flammable fuel. If spilled and ignited by a spark or other ignition source, it can cause fire and serious burn injury or property damage. Use extreme caution when handling gasoline or fuel mix. Do not smoke or bring any fire or flame near the fuel or the pressure washer. Note that combustible fuel vapor may escape from the fuel system or gas can during fueling operations.

WARNING

Incorrect fuels shall not be used as they may prove hazardous.

Fueling Instructions

WARNING

Fuel your pressure washer in well-ventilated areas, outdoors. Always shut off the engine and allow it to cool before refueling. Gasoline vapor pressure may build up inside the fuel tank depending on the fuel used, the weather conditions or other environmental conditions and the use of the machine.

In order to reduce the risk of burns and other personal injury from escaping gas vapor and fumes, remove the fuel filler cap on your pressure washer carefully so as to allow any pressure build-up in the tank to release slowly. Never remove the fuel filler cap while the engine is running.

Select bare ground for fueling and move at least 10 feet (3 m) from the fueling spot before starting the engine. Refuel slowly. Avoid spilling fuel. Wipe off any spilled fuel before starting your machine.

! WARNING

Always refuel slowly and take care to avoid fuel spillage which may cause a risk of fire.

Check for fuel leakage while refueling and during operation. If fuel leakage is found, do not start or run the machine until the leak is fixed and any leaked fuel has been wiped away. Take care not to get fuel on your clothing. If this happens, change your clothing immediately.

Do not overfill the fuel tank. Leave 5/8 inch (16 mm) of space at the top of the tank to allow for fuel expansion.

To reduce the risk of fuel spillage and fire from an improperly installed fuel cap, correctly position and tighten the fuel cap in the fuel tank opening.

! WARNING

Unit vibrations can cause an improperly installed fuel cap to loosen or come off and spill quantities of fuel. In order to reduce the risk of fuel spillage and fire, tighten the fuel filler cap by hand as securely as possible.

See the Kohler owner's manual for additional warnings and instructions related to fuel and fueling.

Connecting the water supply

Do not connect the pressure washer directly to a potable water system.

If hooking up the pressure washer to a potable water system, a backflow preventer must be installed between the water tap and the hose. The design of the backflow preventer must comply with the applicable country-specific regulations.

! WARNING

If potable water has passed through the backflow preventer, it can no longer be regarded as potable water.

Follow the rules laid down by the local water supply company to prevent water flowing back from the pressure washer into the drinking water main.

Do not use the machine with dirty water (i.e., water that contains sand, dirt or other particulate matter). If there is a risk that the water supply is dirty, use an appropriate water filter or find an alternative water source.

Before Starting**! WARNING**

The machine may only be used when all parts are in proper working order. Never operate your pressure washer if it is modified, damaged, improperly adjusted or maintained, or not completely or securely assembled. Never run the

pressure washer with a modified or disconnected governor. Never attempt to modify the controls or safety devices.

! WARNING

Check the fuel system for leaks, especially the visible parts, e.g., filler cap, hose connections. To reduce the risk of personal injury or property damage from fire, do not start the engine if the unit is leaking or showing other signs of damage. Have the machine repaired by an authorized STIHL servicing dealer before using it.

! WARNING

Check that the spark plug boot is securely mounted on the spark plug – a loose boot may cause arcing that could ignite combustible fumes and cause a fire.

! WARNING

Check the on-off switch, choke lever, fuel shut-off and throttle lever for proper function. The throttle lever must move freely.

! WARNING

Ensure that the high-pressure hose is in good condition and not frayed, cracked, deformed or damaged in any way. Never operate the machine with a damaged or worn high-pressure hose – replace it before further use. Using a worn or damaged hose, or one that does not meet the high pressure requirements of the pressure washer, can result in personal injury. If using a replacement or extension high-pressure hose, ensure that it is rated for the maximum PSI of

the pressure washer. STIHL recommends using a STIHL-branded high-pressure replacement/extension hose that is marked for use with your specific model pressure washer.

Protect the high-pressure hose against heat and oil. It must never be crushed, kinked or twisted. Check that all connections are secure and tight before starting work.

WARNING

Inspect the spray lance and spray gun for damage before starting work. The trigger on the spray gun must move easily and automatically return to its starting position when released. The trigger lockout must be in proper working condition. Keep the gripping surfaces clean at all times; it is particularly important to keep them free of pitch, oil, fuel, grease or resin in order for you to maintain a firm grip and properly control your pressure washer.

If using a replacement spray gun or lance, ensure that it is rated for the maximum PSI of the pressure washer. STIHL recommends using STIHL-branded replacement parts that are marked for use with your specific model pressure washer.

To prevent overheating and permanent damage to the pressure washer, always check the engine and pump for proper oil levels before starting work. See also the "Maintenance" chapter in this instruction manual and the appropriate section in the Kohler owner's manual for additional information about maintaining the proper oil level.

Always connect and turn on the water supply to the pump before starting the engine. Do not operate the pressure washer without water. Running the pressure washer without water will cause the pump to overheat, which may result in permanent damage.

Be thoroughly familiar with the controls. Know how to stop the pressure washer and relieve pressures quickly.

Starting

To reduce the risk of fire and burn injuries, start the engine at least 10 feet (3 m) from the fueling spot, outdoors only.

WARNING

Your pressure washer is a one-person machine. To reduce the risk of eye or other injury from water spray and blown or sprayed objects, keep bystanders out of the working area. Engage the trigger lockout on the spray gun and stop the engine immediately if you are approached.

For specific starting instructions, see the appropriate section of your manual. Place the pressure washer on a flat and firm ground or other solid surface in an open area. Maintain good balance and secure footing.

WARNING

When you pull the starter grip, do not wrap the starter rope around your hand. Do not allow the grip to snap back, but guide the starter rope slowly back to permit the rope to rewind properly. Failure to follow this procedure may

result in injuries to your hand or fingers and may damage the starter mechanism.

For specific starting instructions, see the "Starting" chapter in this instruction manual and the appropriate section of the Kohler engine manual.

During Operation

Holding and Controlling the Spray Attachment

WARNING

The spray jet causes reactive forces on the spray attachment in a direction opposite to the direction of the spray (recoil or kickback). Hold the spray attachment firmly with both hands in order to control the reactive forces, including any additional torque produced when using angled spray attachments or an angled spray lance.



! WARNING

To reduce the risk of serious personal injury, always hold the spray attachment with one hand firmly gripping the spray gun and the other hand firmly wrapped around the spray gun or spray lance while you are working. Keep your hands in this position at all times while working in order to help maintain control.

Keep hands and feet and other parts of your body away from the water jet at all times. Severe laceration and fluid injection could result from contact with the water jet.

! WARNING

To reduce the risk of loss of control and personal injury, never operate the pressure washer with the spray gun trigger wired in the open position. To prevent accidental discharge, engage the trigger lockout when not in use.

! WARNING

Do not overreach. Keep proper footing and balance at all times. Special care must be taken in slippery conditions and when working on slopes or uneven ground.

To reduce the risk of stumbling and loss of control, do not walk backward while operating the pressure washer.

! WARNING

To reduce the risk of injury from loss of control, never operate the pressure washer while standing on a ladder or on any other unstable support.

Detergents

! WARNING

This pressure washer was designed for use with water alone or with a detergent specifically designed and approved for use with pressure washers.

Use of unsuitable detergents or cleaning agents can cause personal injury and damage the machine and/or the surface being cleaned.

Always use detergent in the specified dosage – follow the detergent manufacturer's instructions for proper preparation and dilution, as well as safe use and disposal.

Chemical detergents may contain harmful (toxic, caustic, irritant), flammable or explosive substances. In the event of skin or eye contact with detergent, flush the affected body parts with plenty of clean water immediately. If detergent is swallowed, seek medical

attention immediately. Follow all of the detergent manufacturer's warnings and instructions.

Working Conditions

! WARNING



As soon as the engine is running, this machine generates toxic exhaust fumes containing chemicals, such as unburned hydrocarbons (including benzene) and carbon monoxide, that are known to cause respiratory problems, cancer, birth defects, or other reproductive harm and other injuries. Some of the gases (e.g., carbon monoxide) may be colorless and odorless and can cause asphyxiation or death very quickly. To reduce the risk of serious or fatal injury/illness from inhaling toxic fumes, never run the machine indoors, in confined spaces, or in or near areas that are poorly ventilated. If exhaust fumes become concentrated due to insufficient ventilation, move the machine or take other steps to achieve proper ventilation before proceeding.

Maintain adequate distance between the machine and open windows, doors, air intake vents or other openings to prevent exhaust gases from entering

buildings or other confined spaces. Position the machine so that exhaust fumes are directed away from buildings openings.

Never operate the pressure washer in the presence of flammable vapors or combustible dust, gases or other combustible materials.

Exhaust fumes are hot. To reduce the risk of fire, never operate the machine near flammable or combustible materials. Position the machine so that exhaust fumes are directed away from such materials.

WARNING

Aerosols may form while working with a pressure washer. The inhalation of aerosols can be hazardous to health. In order to determine the necessary measures to protect against aqueous aerosols, a risk assessment must be carried out before work starts dependent on the surface to be cleaned and its environment. Class FFP2 or higher respirators are suitable for protection against aqueous aerosols.

WARNING

Hazardous substances (e.g., asbestos or oil) must not be allowed to escape into the environment when working with the pressure washer. Follow all environmental regulations when using your pressure washer.

WARNING

Never spray asbestos-containing materials such as asbestos cement or asbestos siding. Hazardous, breathable asbestos fibers may be released in addition to the dirt.

Breathing asbestos dust is dangerous and can cause severe or fatal injury, respiratory illness or cancer. The use and disposal of asbestos-containing products are strictly regulated by OSHA and the Environmental Protection Agency. If you have any reason to believe that you might be spraying or otherwise disturbing asbestos, or if you cannot be sure, immediately contact your employer or a local OSHA or EPA representative.

WARNING

Never spray any surface containing lead paint. Disturbing lead-based paint is hazardous to human health and can harm the environment. The use and disposal of lead-containing products is strictly regulated by OSHA and the Environmental Protection Agency. If you have any reason to believe that you may be spraying a surface containing lead paint or another lead-containing product, or if you cannot be sure, immediately contact your employer or a local OSHA or EPA representative.

Do not operate the pressure washer at temperatures below 32 °F (0 °C). Protect the pressure washer from freezing temperatures, which can cause cracking of the pump or damage to the high pressure hose or the spray gun.

Operating Instructions

WARNING

In the event of imminent danger or in an emergency, switch off the engine immediately – move the on-off switch to OFF and engage the trigger lockout on the spray gun.

WARNING

Even though bystanders should be kept away from the running pressure washer, never work alone. Keep within calling distance of others in case help is needed.

Stop the engine immediately if you are approached and engage the trigger lockout on the spray gun.

WARNING

Never modify your muffler. Any modification could cause an increase in heat radiation, sparks or sound level, thereby increasing the risk of fire, burn injury or hearing loss. You may also permanently damage the engine. STIHL recommends having your muffler serviced and repaired by a STIHL servicing dealer.

! WARNING

The muffler and other parts of the engine (e.g., fins of the cylinder, spark plug) become hot during operation and remain hot for a while after stopping the engine. To reduce risk of burns, do not touch the muffler and other parts while they are hot. Keep the area around the muffler clean. Do not allow the high pressure hose to make contact with the muffler.

! WARNING

An improperly mounted or damaged cylinder housing or a damaged/deformed muffler shell may interfere with the cooling process of the muffler. To reduce the risk of fire or burn injury, do not continue work with a damaged or improperly mounted cylinder housing or a damaged/deformed muffler shell.

! WARNING

Do not operate your pressure washer if the muffler is damaged, missing or modified. An improperly maintained muffler will increase the risk of fire and hearing loss. Your muffler is equipped with a spark-arresting screen to reduce the risk of fire; never operate your pressure washer if the screen is missing, damaged or clogged. Some state or federal laws or regulations may require a properly maintained spark arrester for certain uses. See the "Maintenance,

Repair and Storing" section of this instruction manual. Remember that the risk of a brush or forest fire is greater in hot or dry weather.

When connecting the water supply to the water inlet, always follow local regulations. If connection to the drinking water main is permitted, never operate the pressure washer without a properly functioning back-flow preventer.

During work**! WARNING**

To reduce the risk of fire/explosion resulting in serious or fatal injury or property damage, never spray flammable or combustible liquids.

**! WARNING**

Never draw fluids into the pump that contain solvents or undiluted acids (e.g., gasoline, heating oil, paint thinner or acetone). These substances damage the materials used in the machine. The spray is highly combustible, explosive and poisonous.

! WARNING

Because of the high pressure and spray velocity, fluids can penetrate the skin and cause fluid injection and/or severe cutting injury. If an accident does occur and the spray appears to have penetrated the skin, seek emergency medical care. Do not treat as a simple cut.

Keep hands and feet and other parts of your body away from the water jet at all times. Severe laceration and fluid injection could result from contact with the water jet.

To reduce the risk of severe laceration or other personal injury, shut off the pressure washer, relieve system pressure and lock the spray gun trigger before changing or adjusting any spray nozzle or accessory.

! WARNING

Never direct the high-pressure jet toward yourself or other persons, not even to clean clothing or shoes. If an accident does occur and the spray appears to have penetrated the skin, seek emergency medical care. Do not treat as a simple cut.

Do not direct the high-pressure jet toward animals.



To reduce the risk of short-circuiting, fire and electrocution, never direct the spray at electrical appliances and equipment, sockets or power cords.

Do not direct the high-pressure jet into places you cannot see.

Never direct the high-pressure jet toward the pressure washer itself or any of its components.

To reduce the risk of property damage, start work at the greatest effective distance from the surface being cleaned. Do not move so close that the surface is damaged by the force of the spray.

Be especially careful when spraying softer materials such as fabric. Caution should be used when directing spray toward fragile materials such as glass. Shattering could result in serious injury.

The machine must not be covered during use or while the engine is still warm. Ensure that the engine is cooled sufficiently before covering.

If you feel sick, if you have a headache, vision problems (e.g., your field of vision gets smaller), hearing problems, dizziness or inability to concentrate, stop work immediately. Such symptoms may be caused by an excessively high concentration of exhaust emissions.

After finishing work

Shut off the engine after finishing work. Then turn off the water supply and squeeze the spray gun trigger to release trapped pressure. Engage the trigger lockout when not in use.

Disconnect the water intake hose between the machine and water supply.

MAINTENANCE, REPAIR AND STORING

If you make a warranty claim for a component which has not been serviced or maintained properly, STIHL may deny coverage.

WARNING

To reduce the risk of serious or fatal injury, STIHL recommends using only authorized STIHL or Kohler replacement parts for maintenance and repair. Strictly follow the maintenance and repair instructions in this instruction manual and the Kohler owner's manual.

WARNING

High-pressure hoses, fittings and couplings are important for machine safety. STIHL recommends using only high-pressure hoses, fittings, couplings and other accessories that have been approved by STIHL for this machine, or technically equivalent parts. Contact your authorized STIHL servicing dealer for a list of authorized parts and accessories.

The high-pressure hose and all fittings, couplings, spray nozzles and accessories must be approved for the permissible excess pressure of the machine.

The permissible excess pressure, the maximum permitted temperature and the date of manufacture are stated on the cladding of the high-pressure hose.

WARNING

Before performing any inspection, maintenance, cleaning or other work on the machine, shut off the engine, turn off the water supply and squeeze the spray gun trigger until the pressure in the system has been fully released. Do not attempt any maintenance or repair work not described in this instruction manual. STIHL recommends that you have such work performed by your STIHL servicing dealer.

Do not clean your machine with a pressure washer. The solid jet of water may damage parts of the machine.

WARNING

To reduce the risk of fire and burn injury or property damage, use only spark plugs authorized by STIHL or Kohler. Always press the spark plug boot snugly onto the spark plug terminal of the proper size. (Note: If terminal has detachable SAE adapter nut, it must be securely attached.) A loose connection between spark plug terminal and the ignition wire connector in the boot may create arcing that could ignite combustible fumes and cause a fire.

Keep the spark plug clean and make sure the ignition lead is in good condition.

! WARNING

Never test the ignition system with the boot removed from the spark plug or with an unseated spark plug, since uncontained sparking may cause a fire.

! WARNING

In California, it is a violation of § 4442 or § 4443 of the Public Resources Code to use or operate gasoline-powered tools on forest-covered, brush-covered or grass-covered land unless the engine's exhaust system is equipped with a complying spark arrester that is maintained in effective working order. The owner/operator of this product is responsible for properly maintaining the spark arrester. Other states or governmental entities/agencies, such as the U.S. Forest Service, may have similar requirements. Contact your local fire agency or forest service for the laws or regulations relating to fire protection requirements.

For maintenance items please also refer to the maintenance chart in this instruction manual.

! WARNING

Do not allow the unit to be used or stored in freezing temperatures. If the pressure washer must be transported or stored in freezing conditions, the pump must be filled with winterize fluid to prevent cracking due to water expansion. See the chapter "Storing the Machine" in this manual.

Store the pressure washer in a dry and locked location out of reach of children.

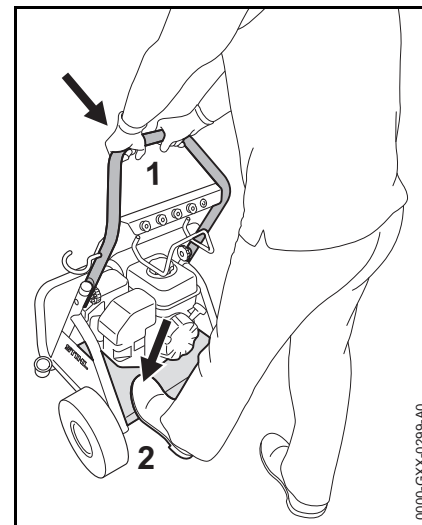
! WARNING

Store fuel in an approved and properly labeled safety-type canister only. To reduce the risk of personal injury or property damage, take care when handling gasoline. Avoid direct contact with the skin and avoid inhaling fuel vapor.

SAVE THESE INSTRUCTIONS!

Transporting the Unit

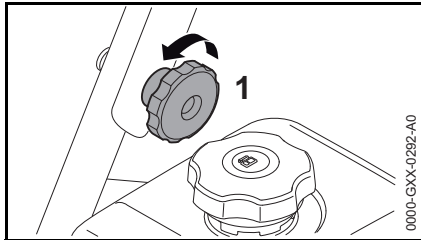
Pushing the pressure washer



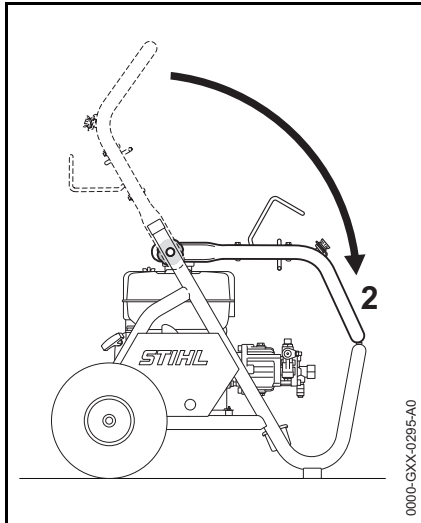
- Press down pushbar (1) with both hands
- Steady the pressure washer with your foot on the kick plate (2)

Folding down the pushbar

The pushbar can be folded down for compact transport and storage.



- Loosen the star knob (1) on both sides



- Swing the pushbar (2) down as far as possible

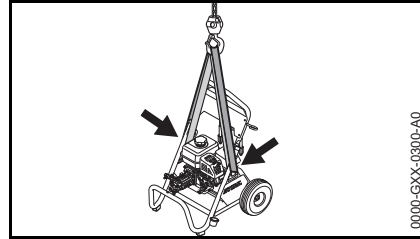
! WARNING

Use caution when opening or folding down the pushbar. Avoid pinching hands or other body parts between the pushbar and housing.

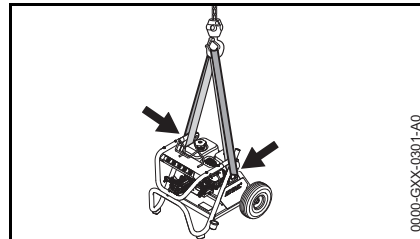
Lifting the pressure washer with a crane

To lift the pressure washer with a crane, secure the straps to the following points on the frame.

Pushbar open



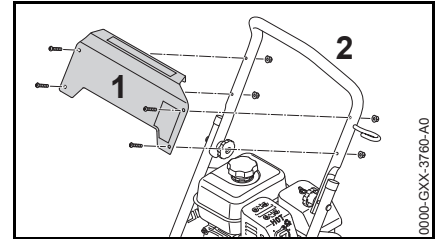
Pushbar folded down



Before the First Use

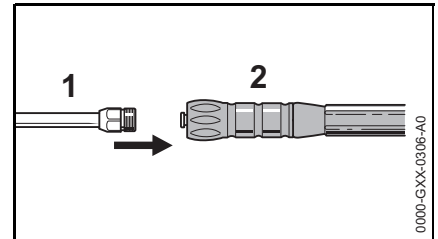
Installing parts and accessories

Dashboard



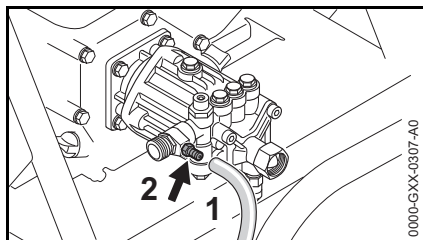
- Attach the dashboard (1) to the frame (2)

Spray lance



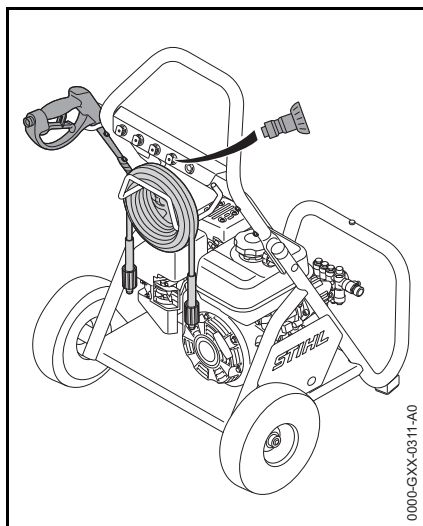
- Attach the spray lance (1) to the spray gun (2)

Suction hose for detergent



- Attach the suction hose for detergent (1) to the low-pressure connector (2) on the pump

Storing accessories



- Place the spray attachment in the holder on the frame
- Hang the high-pressure hose on the holder on the frame
- Insert the high-pressure nozzles in the holders on the frame

Connecting and Removing the High-Pressure Hose

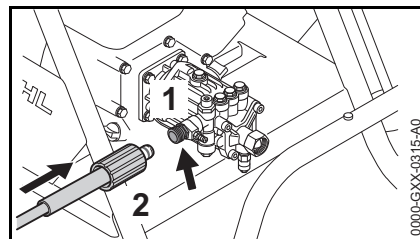
! WARNING

To reduce the risk of severe injury from high pressure spray, always shut off the pressure washer and relieve any remaining pressure in the line by squeezing the spray gun trigger before attempting to remove the high-pressure hose from either the pump or the spray gun.

- Remove all sand and debris from the connections

Connection to the high-pressure pump

Connecting



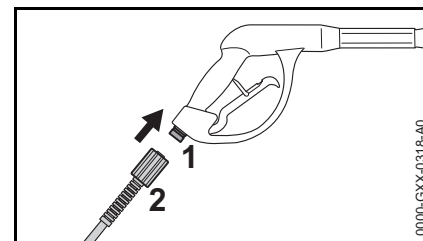
- Push the high-pressure hose into the high pressure connector (1)
- Attach the union nut (2) and screw it on and tighten by hand

Removing

- Unscrew union nut
- Pull the high-pressure hose off pressure connector

Connection to the spray gun

Connecting



- Push the high-pressure hose into the coupling on the spray gun (1)
- Attach the union nut (2) and screw it on and tighten by hand

Removing

- Unscrew the union nut
- Pull the high-pressure hose off the coupling on the spray gun

Connecting the Water Supply

The pressure washer is equipped with a thermal pressure relief valve, which automatically lets hot water escape from the high-pressure pump. Never use water with a temperature more than 52 °C (125 °F) to run the pressure washer. See the "Working" Chapter in this manual for more information to the thermal pressure relief valve.

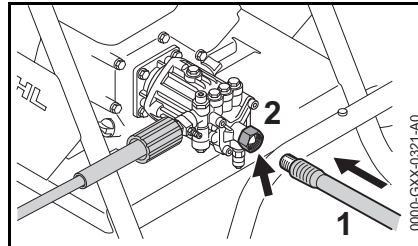
Always comply with the water supply requirements in the "Specifications" chapter in this manual.

NOTICE

Insufficient water supply can damage the high-pressure pump. Only start the engine when the water hose is connected and the water supply is turned on and delivering the minimum water requirements in the "Specifications" chapter in this manual.

Connecting the water hose

- Remove all sand and debris from the connections
- Connect the water hose to the water supply
- Open the water tap and rinse the water hose so that sand and other particles of dirt cannot get into the high-pressure pump

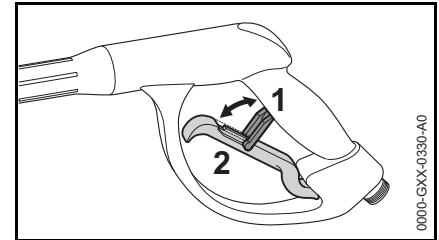


- Turn off the water supply and connect the water hose (1) to the high-pressure pump (2)

Venting the system

Before starting the engine, the high-pressure pump and hose system must be vented:

- After connecting the water supply and high pressure hose to the pressure washer, unroll the high-pressure hose fully and lay it out flat and free from loops
- Turn on the water supply
- Point the spray attachment (without the high-pressure nozzle installed) downward to the ground



- Release the trigger lockout (1)
- Squeeze the spray gun trigger (2) and wait until a uniform water flow emerges from the spray lance
- Release the spray gun trigger and engage the trigger lockout

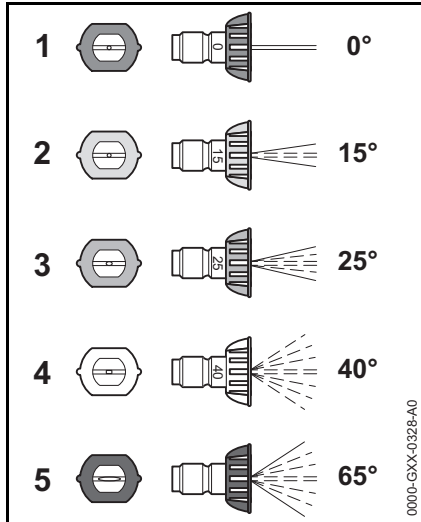
NOTICE

Lack of water can damage the high-pressure pump. Only start the engine when the water hose is connected and the water supply is turned on.

Inserting and Removing the Spray Nozzle

Selecting the appropriate spray nozzle

The pressure washer is offered with a range of high-pressure nozzles that can be connected to the spray lance.



- 1 **Narrow jet nozzle (red) jet angle 0°**
Nozzle for removing stubborn dirt from concrete and metal.
Do not use narrow jet nozzle on wood or other soft surfaces. The concentrated water jet can damage the surface. (Not sold with RB 400, RB 600)
- 2 **Fan-jet nozzle (yellow) jet angle 15°**
Nozzle for removing stubborn dirt.
- 3 **Fan-jet nozzle (green) jet angle 25°**
Universal nozzle for cleaning large surfaces.

- 4 **Fan-jet nozzle (white) jet angle 40°**
Nozzle for cleaning sensitive surfaces.
- 5 **Low-pressure nozzle (black) jet angle 65°**
Nozzle for use with a detergent. Use the low-pressure connector and suction hose to draw detergent from a detergent container. The detergent is added to the water in the high-pressure pump.

Inserting the spray nozzle

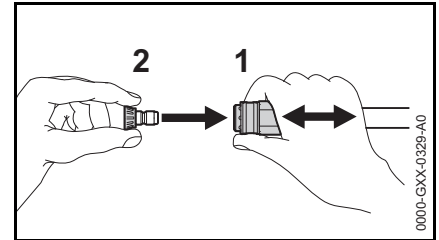
! WARNING

To reduce the risk of severe laceration and other personal injury from fluid injection, shut off the pressure washer, relieve system pressure and lock the spray gun trigger before removing, installing or adjusting any spray nozzle or accessory.

! WARNING

Confirm that the nozzle is fixed securely in the quick-action coupling. If the high-pressure nozzle is not secure, it can fly out of the spray lance during operation and cause injury.

- Shut off the pressure washer and squeeze the spray gun trigger to relieve system pressure
- Lock the spray gun trigger
- Remove all sand and debris from the connection



- Pull back the coupling sleeve (1) as far as it will go and hold it there
- Push the high-pressure nozzle (2) as far as it will go into the coupling
- Push the coupling sleeve forward as far as it will go
- Pull the high-pressure nozzle and confirm that it is seated securely

Removing

- Pull back the coupling sleeve (1) as far as it will go and hold it there
- Pull the high-pressure nozzle (2) out of the coupling
- Release the coupling sleeve

Starting the Engine

NOTICE

Lack of water can damage the high-pressure pump. Only start the engine when the water hose is connected and the water supply is turned on.

- Connect the high-pressure hose
- Connect the water supply hose and turn on the water supply
- Vent the system

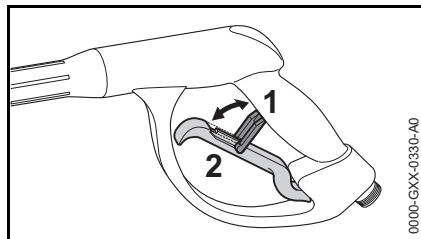
See the sections in this instruction manual on Connecting the Water Supply and Venting the System.

See the Kohler owner's manual for complete starting instructions.

Working

Actuating the spray gun

- Direct the spray attachment towards the surface to be cleaned



- Release the trigger lockout (1)
- Squeeze the spray gun trigger (2)

Standby mode

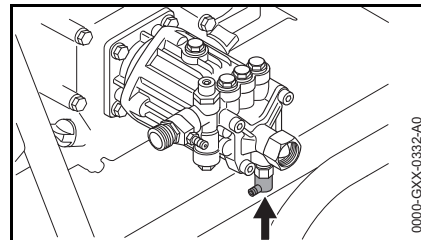
NOTICE

Running the engine for more than 2 minutes without active spraying can cause serious damage to the pressure washer.

Shut off the engine:

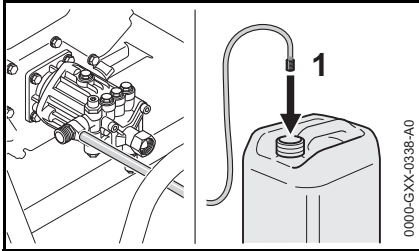
- before taking a break
- if leaving the machine unattended
- any time active spraying will be interrupted for more than 2 minutes

Thermal pressure relief valve



If the engine is running in standby mode without active spraying, the water in the high-pressure pump heats up to 60 °C (140 °F). The thermal pressure relief valve automatically lets the hot water escape from the high-pressure pump so that fresh and cool water can flow into the system.

Adding Detergent



Use the detergent suction hose to draw detergent from a separate container. The detergent is added to the water in the high-pressure pump:

- Add the detergent to a separate container and dilute it with water at the ratio specified by the detergent manufacturer
- Push the pickup body (1) as far as possible into the container
- Connect the black 65° nozzle to the spray lance

Detergent can only be used with the low-pressure, 65° nozzle (black).

When using the detergent suction feature, only use 1 high-pressure hose between the pump and spray gun. Adding extension hoses may cause insufficient detergent suction.

- When applying detergent, start at the bottom and work upwards

For best results, never allow the detergent to dry on the surface to be cleaned. Read and follow the detergent manufacturer's warnings and instructions regarding proper use.

Cleaning the pickup body, hose and injector

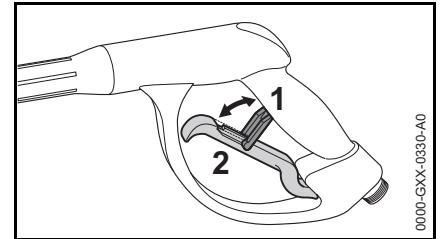
Each time after working with a detergent, run clean water through the pump to clean the hose and other components of the pressure washer.

- Immerse the pickup body in clean, detergent-free water
- Actuate the spray gun for approx. 5 seconds to draw clean water through the hose

Shutting off the Engine

See the Kohler owner's manual for complete instructions on shutting off the engine.

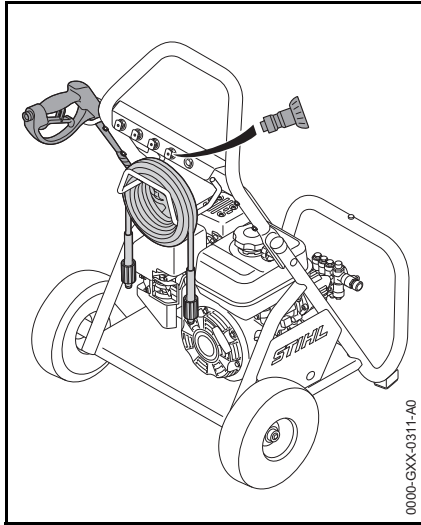
- Shut off the engine
- Turn off the water supply
- Squeeze and hold the spray gun trigger until water only drips from the high-pressure nozzle and the system is depressurized



- Release the spray gun trigger (2) and engage the trigger lockout (1)

After Finishing Work

- Disconnect the water hose
- Disconnect the high-pressure hose



- Roll up the high-pressure hose and hang it on the holder
- Remove the high-pressure nozzle from the spray lance and attach it to the integrated holder on the frame
- Place the spray attachment in the holder
- Wipe down the pressure washer with a damp cloth

Storing the Machine

- Store the pressure washer indoors in a dry room

NOTICE

Freezing temperatures can damage components of the pressure washer. Store the pressure washer indoors in a dry room where it is protected from freezing temperatures.

Frost protection / corrosion protection

If the pressure washer cannot be stored in a room where it is protected from freezing temperatures, carry out the following tasks:

- Drain the water out of the high-pressure hose
- Disconnect the spray lance from the spray gun
- Point the spray lance downward and wait until all the water has flowed out
- Point the spray gun downward, squeeze the spray gun trigger and wait until all the water has flowed out
- Connect a container with winterize fluid either directly or with a suction hose to the water inlet of the high-pressure pump

- When the engine is shut off, pull the starter rope several times until the winterize fluid is drawn into the high-pressure pump and flows out of the high-pressure connector
- Collect the winterize fluid in a container and dispose of it without harming the environment and according to the manufacturer's specifications

Storing the pressure washer for 2 months or longer

If the pressure washer will be out of service for 2 months or more:

Stabilizing the fuel

- Add Kohler PRO Series fuel treatment, or an equivalent fuel stabilizer, to the fuel tank
- To distribute the fuel stabilizer throughout the fuel system, connect the water supply and allow the engine to run for 2 to 3 minutes while squeezing the spray gun

NOTICE

Running the engine for more than 2 minutes without active spraying can cause serious damage to the pressure washer.

Other maintenance work

See the Kohler owner's manual for more information on storing the engine.

Maintenance and Care

Before performing any inspection, maintenance, cleaning or other work on the machine, shut off the engine, turn off the water supply and squeeze the spray gun trigger until the pressure in the system has been fully released.

The information applies in normal operating conditions. The specified intervals must be shortened accordingly for longer daily working hours. If the machine is only used occasionally, the intervals can be extended accordingly. NOTE: Kohler recommends that engine oil be changed after the first 5 hours of operation.		Before starting work	At the end of work and/or daily	Weekly or every 40 operating hours	After the first 5 operating hours	Every 100 operating hours or once a year	If damaged	As required
Entire pressure washer	Visual inspection (condition, leaks)	X						
	Clean		X					X
Oil of the high-pressure pump	Change				X ¹⁾	X ¹⁾		
Connectors on high-pressure hose	Clean		X					X
	Grease							X
Coupling on the spray lance and spray gun	Clean	X						X
Water intake screen at inlet of high-pressure pump	Clean			X				X
	Replace						X	
High-pressure nozzle	Clean							X
	Replace						X	
Ventilation openings / cooling surfaces / air intake ports	Clean	X						X
Injector in outlet of high-pressure pump	Clean							X
Rubber buffer on frame	Check							X
	Replace						X	
Engine	Maintain	Read and follow all maintenance and care instructions in the Kohler engine manual.						

¹⁾ STIHL recommends having work performed by an authorized STIHL servicing dealer

Maintenance

Before carrying out any maintenance or cleaning work:

- Place the pressure washer on a level and clean surface
- Shut off the engine
- Squeeze and hold the spray gun trigger until water only drips from the high-pressure nozzle and the system is depressurized
- Let the pressure washer cool down

General maintenance work

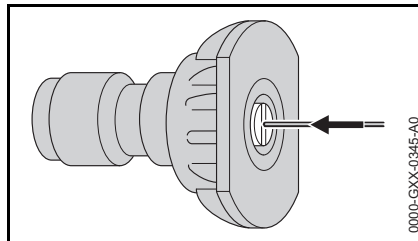
Cleaning the pressure washer

Keep cooling air openings and cylinder fins on engine and high-pressure pump clean to help prevent overheating.

- Clean pressure washer with a damp cloth. Do not clean your machine with a pressure washer. The solid jet of water may damage the machine or its components
- Clean cooling air openings and cylinder fins with a brush or soft brush

Cleaning the high-pressure nozzle

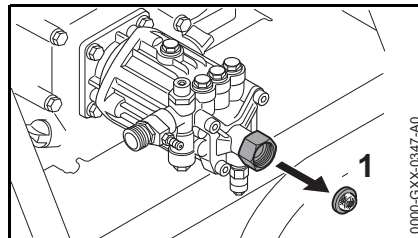
A clogged high pressure nozzle can cause excessive pressure to build in the pump. Clean the high-pressure nozzle if it becomes clogged.



- Remove the high-pressure nozzle
- Clean the high-pressure nozzle from the front with a suitable needle and rinse with water

Maintenance work on the high-pressure pump

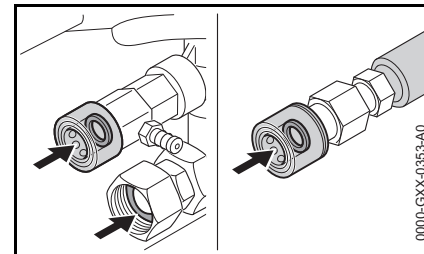
Cleaning the screen in the water inlet



- Remove the screen (1) from the water inlet using a blunt tool, taking care to avoid punching a hole in the screen
- Clean the screen
- Re-insert the screen in the water inlet and press evenly to ensure it is properly seated

Lubricating the connections

Lubricate the following O-rings/gaskets if necessary with a multipurpose grease:

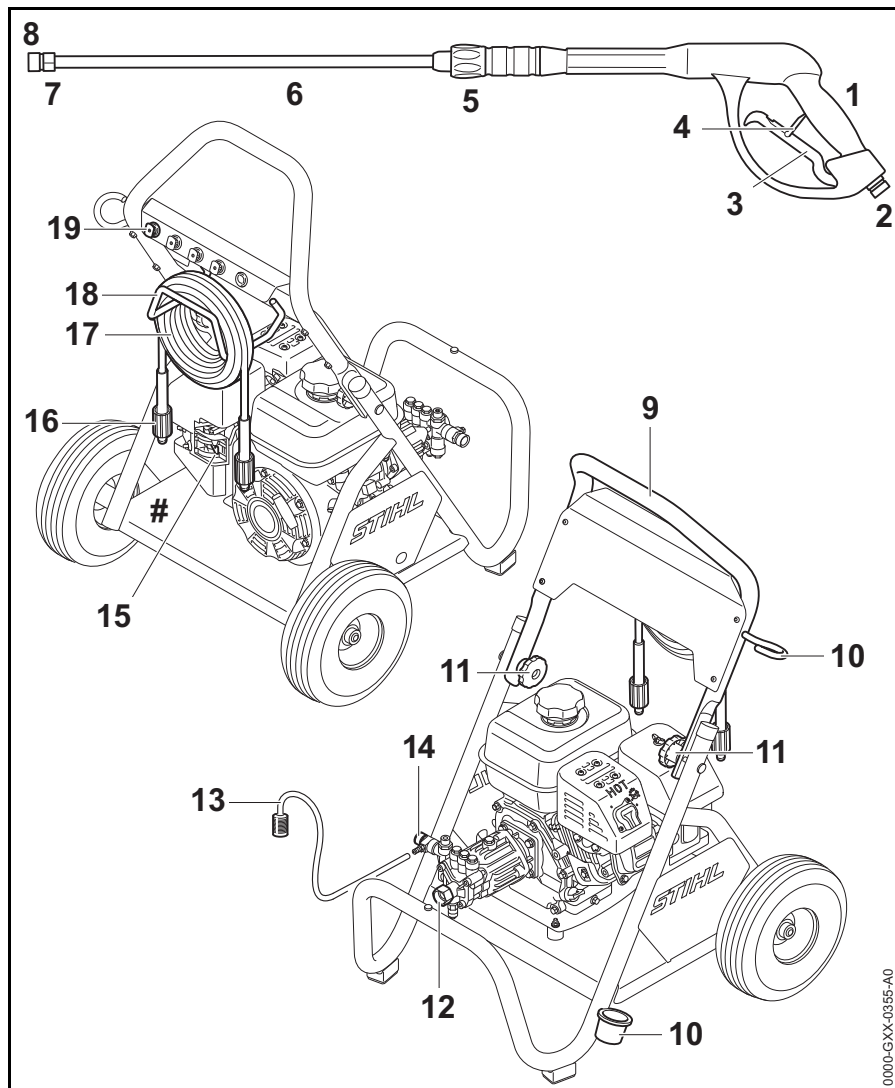


- Gasket on screen in water inlet
- O-ring in coupling sleeve at outlet of high-pressure connector
- O-ring in coupling sleeve on high-pressure hose
- O-ring in coupling on spray lance

Maintenance work on engine

Read and follow the engine operation, care and maintenance instructions in the Kohler owner's manual.

Main Parts



- 1 Spray gun
- 2 Coupling for high-pressure hose
- 3 Spray gun trigger
- 4 Trigger lockout
- 5 Coupling for spray lance
- 6 Spray lance
- 7 Coupling for high-pressure nozzle
- 8 High-pressure nozzle
- 9 Pushbar
- 10 Holder for spray attachment
- 11 Star knob
- 12 Connector for water inlet with screen
- 13 Suction hose for detergent
- 14 Connector for high-pressure hose
- 15 On/Off Switch¹⁾
- 16 Coupling with union nut
- 17 High-pressure hose
- 18 Holder for high-pressure hose
- 19 Holder for high-pressure nozzles
- # Model plate

1) For additional information about the engine and its components, see the Kohler owner's manual.

Definitions

- 1 Spray gun**
Controls the high-pressure jet.
- 2 Coupling for high-pressure hose**
To connect the high-pressure hose to the spray gun.
- 3 Spray gun trigger**
Opens and closes the valve in the spray gun.
- 4 Trigger lockout**
Blocks the Spray gun trigger.
- 5 Coupling for spray lance**
To connect the spray lance to the spray gun.
- 6 Spray lance**
Directs the water from the spray gun to the high-pressure nozzle
- 7 Coupling for high-pressure nozzle**
To connect the high-pressure nozzle to the spray lance.
- 8 High-pressure nozzle**
Creates the form and intensity of the high-pressure jet.
- 9 Pushbar**
To push the pressure washer.
- 10 Holder for spray attachment**
To store the spray attachment.
- 11 Star knob**
To release and fold down the pushbar.
- 12 Connector for water inlet with screen**
To connect the water hose to the high-pressure pump. The screen helps prevent dirt and debris from entering the pump.
- 13 Suction hose for detergent**
To draw detergent from a separate container.
- 14 Connector for high-pressure hose**
To connect the high-pressure hose to the high-pressure pump.
- 15 On/Off Switch**
To start/stop the engine.
- 16 Coupling on high-pressure hose**
To connect the high-pressure hose to the spray gun and to the high-pressure pump.
- 17 High-pressure hose**
Transports the water from the high-pressure pump to the spray gun.
- 18 Holder for high-pressure hose**
To store the high-pressure hose.
- 19 Holder for high-pressure nozzles**
To store the high-pressure nozzles.

Specifications

Engine

Manufacturer:	Kohler
Model designation:	SH 270
Type:	Single cylinder four-stroke engine
Fuel:	Gasoline
See engine instruction manual for additional specifications.	

High-pressure pump

Rated / Permissible Pressure:	psi	2700
	MPa	19
	bar	190
Maximum water throughput:	gpm	2.7
	l/min	10.2
	l/h	620
Maximum kickback force	N	33.1

Water supply

Diameter of water hose:	in.	3/4
Maximum length of water hose:	m	15.25
	ft.	50
Minimum quantity:	gpm	3.7
	l/min	14
	l/h	840
Minimum pressure:	psi	14.5

	bar	1
Maximum pressure:	psi	130
	bar	9
Maximum water temperature	°F	125
	°C	52

Dimensions

Length (approx.):	in.	28.50
	mm	724
Width (approx.):	in.	27.50
	mm	699
Height run position (approx.):	in.	39.50
	mm	1003
Height transport position (approx.):	in.	25.75
	mm	654
Length high-pressure hose (approx.):	ft.	25
	m	7.6
Diameter of high-pressure hose (approx.):	in.	1/4

Weight

Pressure washer with spray attachment and high-pressure hose (approx.):	lbs.	90
	kg	41

Detergent

Mixing ratio: 1:45 detergent to water

Troubleshooting

High-pressure pump

Before performing any inspection, maintenance, cleaning or other work on the machine, shut off the engine, turn off the water supply and squeeze the spray gun trigger until the pressure in the system has been fully released.

Condition	Cause	Remedy
No or too little water coming from the high-pressure nozzle	Water hose kinked	Remove kink
	High-pressure hose kinked	Replace high-pressure hose
Pressure drops or fluctuates	Shortage of water	Open water tap completely Check diameter and length of intake hose
	Engine speed too low	Run engine at full throttle Have the engine repaired ¹⁾
	Water intake screen clogged at inlet of high-pressure pump	Clean water intake screen – see "Maintenance"
	Air in system	Vent system by actuating the spray gun several times at short intervals
	High-pressure pump draws air	Check all connections in water intake, seal if necessary
	High-pressure nozzle clogged / worn	Clean high-pressure nozzle - see "Maintenance" Replace high-pressure nozzle
	Valves in high-pressure pump worn	Have the high-pressure pump repaired ¹⁾
	Gaskets in high-pressure pump worn	Have the high-pressure pump repaired ¹⁾
	High-pressure pump has frozen	Thaw out high-pressure pump
	Water temperature too high	Maintain permissible water temperature – see "Specifications"

¹⁾ STIHL recommends having work performed by an authorized STIHL servicing dealer

Before performing any inspection, maintenance, cleaning or other work on the machine, shut off the engine, turn off the water supply and squeeze the spray gun trigger until the pressure in the system has been fully released.

Condition	Cause	Remedy
Water comes out of the thermal relief valve	Water temperature too high	Do not run pressure washer for longer than 2 minutes without active spraying
	Thermal relief valve leaking	Have the thermal relief valve repaired ¹⁾
Oil comes out of the high-pressure pump	High-pressure pump is leaking	Have the high-pressure pump repaired ¹⁾
No supply of detergents	Detergent tank is empty	Fill detergent tank
	Suction hose or suction intake filter is clogged	Eliminate clog
	Injector dirty or clogged	Clean injector – see "Maintenance"
	Detergent nozzle / low-pressure nozzle not inserted / clogged	Insert / clean detergent nozzle / low-pressure nozzle

Engine


Before performing any inspection, maintenance, cleaning or other work on the machine, shut off the engine, turn off the water supply and squeeze the spray gun trigger until the pressure in the system has been fully released.

Condition	Cause	Remedy
Engine does not start	High-pressure pump has frozen	Thaw out high-pressure pump
	High-pressure pump is blocked	Have the high-pressure pump repaired ¹⁾
	Read and follow the engine operation, care and maintenance instructions in the Kohler engine manual.	
Engine does not start, runs roughly or switches off again straight away	Read and follow the engine operation, care and maintenance instructions in the Kohler engine manual.	
High fuel consumption	Read and follow the engine operation, care and maintenance instructions in the Kohler engine manual.	

¹⁾ STIHL recommends an authorized STIHL servicing dealer

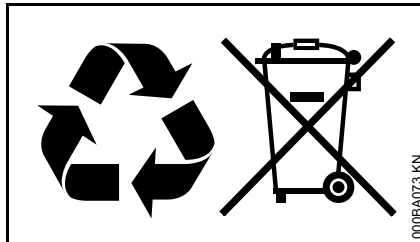
Maintenance and Repairs

Users of this machine should carry out only the maintenance and service work described in this user manual. STIHL recommends that other repair work be performed by authorized STIHL servicing dealers using genuine STIHL replacement parts.

Original STIHL parts can be identified by the STIHL part number, the **STIHL** logo and the STIHL parts symbol  (the symbol may appear alone on small parts).

Disposal

Observe all country-specific waste disposal rules and regulations.



STIHL products must not be thrown in the garbage can. Take the product, accessories and packaging to an approved disposal site for environment-friendly recycling.

Contact your STIHL servicing dealer for the latest information on waste disposal.

Limited Warranty

STIHL Incorporated Limited Warranty Policy for Non-Emission-Related Parts and Components

This product is sold subject to the STIHL Incorporated Limited Warranty Policy, available at

www.stihlusa.com/warranty.html.

It can also be obtained from your authorized STIHL dealer or by calling 1-800-GO-STIHL (1-800-467-8445).

A separate emissions control system warranty is provided for emission-related components.

Trademarks

STIHL Registered Trademarks

STIHL®

STIHL®



The color combination orange-grey (U.S. Registrations #2,821,860; #3,010,057, #3,010,058, #3,400,477; and #3,400,476)



AutoCut®

FARM BOSS®

iCademy®

MAGNUM®

MasterWrench Service®

MotoMix®

OILOMATIC®

ROCK BOSS®

STIHL Cutquik®

STIHL DUROMATIC®

STIHL Quickstop®

STIHL ROLLOMATIC®

STIHL WOOD BOSS®

TIMBERSPORTS®

WOOD BOSS®

YARD BOSS®

Some of STIHL's Common Law Trademarks



4-MIX™

BioPlus™

Easy2Start™

EasySpool™

ElastoStart™

Ematic™

FixCut™

IntelliCarb™

Master Control Lever™

Micro™

Pro Mark™

Quiet Line™

STIHL M-Tronic™

STIHL OUTFITTERS™

STIHL PICCO™

STIHL PolyCut™

STIHL PowerSweep™

STIHL Precision Series™

STIHL RAPID™

STIHL SuperCut™

TapAction™

TrimCut™

This listing of trademarks is subject to change.

Any unauthorized use of these trademarks without the express written consent of ANDREAS STIHL AG & Co. KG, Waiblingen is strictly prohibited.

Contenido

Acerca de este manual de instrucciones	29
Medidas de seguridad y técnicas de manejo	29
Traslado de la unidad	40
Antes del primer uso	41
Conexión y desconexión de la manguera de alta presión	42
Conexión del suministro de agua	42
Inserción y retiro de la boquilla	43
Arranque del motor	45
Trabajo	45
Adición de detergente	46
Apagado del motor	46
Después de completar el trabajo	47
Almacenamiento de la máquina	47
Información para mantenimiento	48
Mantenimiento	49
Componentes importantes	50
Especificaciones	51
Localización de averías	53
Información de reparación	55
Desecho	55
Garantía limitada	55
Marcas comerciales	56

Este manual contiene instrucciones de funcionamiento y seguridad correspondientes a la hidrolavadora STIHL RB accionada por un motor de gasolina Kohler. Para reducir el riesgo de lesiones graves o mortales, es importante leer, comprender y respetar las precauciones e instrucciones de seguridad dadas en este manual de instrucciones y en el manual del propietario del motor Kohler adjunto antes de usar la hidrolavadora. Para obtener más información, visite el sitio www.stihlusa.com (para Canadá: www.stihl.ca).

El manejo de la hidrolavadora solo debe permitirse a personas que comprenden el contenido de este manual.

Comuníquese con un concesionario STIHL o con el distribuidor STIHL de su región si no entiende alguna de las instrucciones incluidas en este manual.



ADVERTENCIA

Dado que la hidrolavadora tiene un motor de gasolina y produce un chorro de agua fuerte, es necesario tomar medidas especiales de seguridad para reducir el riesgo de lesiones personales. El uso descuidado o inapropiado puede causar lesiones graves e incluso la muerte.

STIHL

Acerca de este manual de instrucciones

Símbolos en el texto

Muchas de las instrucciones de uso y seguridad vienen acompañadas de ilustraciones.

Los pasos individuales o procedimientos descritos en el manual pueden estar señalados en diferentes maneras:

- Se usa una viñeta para denotar un paso o procedimiento.

Una descripción de un paso o procedimiento que se refiere directamente a una ilustración puede contener números de referencia que aparecen en la ilustración. Por ejemplo:

- Saque el tornillo (1)
- Extraiga el chispero (2) hacia arriba, fuera del silenciador

Además de las instrucciones de uso, en este manual pueden encontrarse párrafos a los que usted debe prestar atención especial. Tales párrafos se denotan con los símbolos y las palabras identificadoras que se describen a continuación.



PELIGRO

Identifica una situación de peligro que, de no evitarse, causará lesiones graves o mortales.



ADVERTENCIA

Identifica una situación de peligro que, de no evitarse, podría causar lesiones graves o mortales.

INDICACIÓN

Indica el riesgo de daños a la propiedad, incluidos la máquina o sus componentes.

Mejoramientos técnicos

La filosofía de STIHL es mejorar continuamente todos sus productos. Como resultado de ello, periódicamente se introducen cambios de diseño y mejoras. Por lo tanto, es posible que algunos cambios, modificaciones y mejoras no se describan en este manual. Si las características de funcionamiento o la apariencia de su máquina difieren de las descritas en este manual, comuníquese con el concesionario STIHL para obtener la ayuda que requiera.

Medidas de seguridad y técnicas de manejo

INSTRUCCIONES IMPORTANTES DE SEGURIDAD



Dado que la hidrolavadora tiene un motor de gasolina y produce un chorro de agua potente, es necesario tomar medidas especiales de seguridad para reducir el riesgo de lesiones personales.



Es importante que el operador lea, comprenda bien y respete las medidas de seguridad y los avisos contenidos en este manual de instrucciones, y los avisos e instrucciones dados en el manual del propietario del motor Kohler. Lea ambos manuales antes del uso y periódicamente de allí en adelante. El uso descuidado o inadecuado puede causar lesiones graves o mortales.

Pida a su concesionario STIHL que le enseñe a manejar la hidrolavadora. Un operador novato deberá recibir capacitación práctica antes de utilizar la hidrolavadora. Respete todas las leyes,

disposiciones, reglamentos y normas de seguridad nacionales, estatales y locales del caso.

ADVERTENCIA

Solo los operadores calificados deben utilizar esta hidrolavadora. Los niños y las personas no capacitadas no deben usar esta hidrolavadora.

No preste ni alquile la hidrolavadora sin entregar los manuales de instrucciones. Asegúrese de que todas las personas que la utilicen lean y comprendan la información contenida en este manual y en el manual del motor Kohler adjunto.

ADVERTENCIA

Use la hidrolavadora solo para limpiar superficies sólidas y otros elementos que no se dañarán con el agua o por la fuerza del chorro de aspersion. No debe usarse para ningún otro propósito ya que el uso indebido puede causar lesiones personales o daños a la propiedad, incluso daños a la máquina.

ADVERTENCIA

Para reducir el riesgo de lesiones, no se debe permitir la proximidad de otras personas, especialmente de niños, ni de animales en los lugares donde se esté utilizando la hidrolavadora. Se debe vigilar constantemente a los niños para que no se acerquen a la zona de trabajo ni jueguen con la máquina.

ADVERTENCIA

Para reducir el riesgo de que otras personas sufran lesiones y de causar daños a la propiedad, nunca deje la

hidrolavadora desatendida mientras está en marcha. Cuando no está en uso (por ejemplo, durante el descanso), apáguela y asegúrese de que las personas no autorizadas no puedan usarla.

La mayoría de las medidas de seguridad y avisos contenidos en este manual rigen para el uso de todas las hidrolavadoras STIHL. Los distintos modelos pueden contar con piezas y controles diferentes. Consulte la sección correspondiente de este manual de instrucciones y del manual del motor Kohler adjunto para obtener una descripción de los controles y la función de los componentes de su modelo.

El uso seguro de una hidrolavadora atañe a:

1. el operador
2. la hidrolavadora
3. el uso de la hidrolavadora.

EL OPERADOR

Condición física

Usted debe estar en buenas condiciones físicas y psíquicas y no encontrarse bajo la influencia de ninguna sustancia (drogas, alcohol, etc.) que le pueda restar visibilidad, destreza o juicio.

ADVERTENCIA

Esté alerta. Si se cansa, tómese un descanso. No maneje esta máquina cuando está fatigado. El cansancio puede provocar la pérdida del control. El

uso de cualquier hidrolavadora puede ser extenuante. Si usted padece de alguna dolencia que pueda agravarse por la fatiga, consulte a su médico antes de utilizar esta máquina.

ADVERTENCIA

El sistema de encendido del motor produce un campo electromagnético de intensidad muy baja que puede interferir con algunos tipos de marcapasos. Para reducir el riesgo de lesiones graves o mortales, las personas portadoras de marcapasos deben consultar a su médico y al fabricante del marcapasos antes de usar esta hidrolavadora.

Vestimenta adecuada

ADVERTENCIA

Para reducir el riesgo de lesiones el operador debe usar el equipo protector adecuado.

ADVERTENCIA



Para reducir el riesgo de lesionarse los ojos, siempre utilice gafas resistentes a impactos y que porten designaciones que indiquen que satisfacen la norma ANSI Z87 "+". Los usuarios que tengan gafas graduadas deberán emplear protección en los ojos que pueda utilizarse por encima de las gafas graduadas sin perturbar ni las gafas graduadas ni las gafas protectoras.

El ruido de la hidrolavadora puede dañar los oídos. Siempre use barreras de sonido (tapones u orejeras) para protegerse los oídos. Los usuarios regulares deben someterse con frecuencia a un examen o control auditivo.

Esté especialmente alerta y tenga cuidado cuando use protectores para los oídos, ya que reducen la posibilidad de oír señales de advertencia (gritos, alarmas, etc.).

Use botas gruesas con suela antideslizante.

LA HIDROLAVADORA

Para obtener ilustraciones y definiciones de los componentes de la hidrolavadora, consulte el capítulo "Piezas principales".

ADVERTENCIA

No modifique la hidrolavadora de ningún modo. Utilice únicamente los accesorios suministrados por STIHL o expresamente autorizados por STIHL para usar con el modelo específico de STIHL. Si bien es posible utilizar la hidrolavadora STIHL con ciertos accesorios no autorizados, su uso puede ser, en la práctica, extremadamente peligroso.

Si la hidrolavadora se somete a cargas excesivas para las cuales no fue diseñada (por ejemplo, impactos severos o una caída), siempre asegúrese de que esté en buenas condiciones antes de seguir con el trabajo. Inspeccione específicamente la integridad del sistema de combustible (ausencia de fugas), y asegúrese de que los controles y dispositivos de seguridad funcionen como corresponde. No siga manejando esta máquina si está dañada. En caso de dudas, pida que el concesionario de servicio de STIHL la revise.

EL USO DE LA HIDROLAVADORA

Transporte de la hidrolavadora

ADVERTENCIA

Siempre apague el motor antes de transportar la hidrolavadora. Cuando transporte la hidrolavadora en un vehículo, sujétela firmemente para evitar vuelco, derrames de combustible y daños.

STIHL recomienda llenar la bomba con anticongelante si la hidrolavadora se transportará o se guardará en temperaturas que rondan o no superen los 0 °C (32 °F). Consulte la información sobre almacenamiento al final de este capítulo y el capítulo "Almacenamiento de la máquina".

ADVERTENCIA

Tenga cuidado al extender o plegar el mango de transporte. Evite que las manos u otras partes del cuerpo queden aprisionadas entre el mango de transporte y la carcasa.

Combustible

ADVERTENCIA



La gasolina es un combustible muy inflamable. Si se derrama y arde a causa de una chispa u otra fuente de ignición, puede provocar un incendio y quemaduras graves o daños a la propiedad. Tenga sumo cuidado cuando manipule gasolina o la mezcla de combustible. No fume cerca del combustible o la hidrolavadora, ni acerque fuego o llamas a ellos. Tenga en cuenta que se puede escapar vapor inflamable del sistema de combustible o de la lata de gasolina mientras llena el tanque.



ADVERTENCIA

No se deben usar combustibles incorrectos porque podrían resultar peligrosos.

Instrucciones para el llenado de combustible

ADVERTENCIA

Cargue de combustible la hidrolavadora en lugares al aire libre bien ventilados. Siempre apague el motor y deje que se enfríe antes de llenar de combustible. Según el combustible utilizado, las condiciones climáticas o del medio

ambiente, es posible que se forme vapor de gasolina a presión dentro del tanque de combustible.

Para reducir el riesgo de quemaduras y otras lesiones personales ocasionadas por los escapes de vapor de gasolina y otras emanaciones, quite la tapa de llenado de combustible de la hidrolavadora cuidadosamente de modo que la presión que se pueda haber acumulado en el depósito se disipe lentamente. Nunca quite la tapa de llenado de combustible mientras el motor esté funcionando.

Elija una superficie despejada para llenar el tanque y aléjese por lo menos 3 m (10 pies) del lugar donde lo haya llenado antes de arrancar el motor. Vierta el combustible lentamente. Evite derramar el combustible. Limpie todo el combustible derramado antes de arrancar la máquina.

ADVERTENCIA



Siempre vierta el combustible lentamente y procure evitar derrames que pueden provocar riesgo de incendio.

Compruebe que no existan fugas de combustible mientras llena el tanque y durante el funcionamiento de la máquina. Si detecta alguna fuga de combustible, no arranque ni haga funcionar la máquina sin antes reparar la fuga y limpiar el combustible derramado. Tenga cuidado de no mancharse la ropa con combustible. Si la mancha, cámbiesela inmediatamente.

No llene el tanque de combustible en exceso. Deje 16 mm (5/8 pulg) de espacio libre en la parte superior del tanque para permitir la expansión del combustible.

Para reducir el riesgo de derrame de combustible e incendio debido a una tapa de combustible mal instalada, coloque la tapa en la posición correcta y apriétela en la boca de llenado del tanque.

ADVERTENCIA



Las vibraciones de la máquina pueden aflojar una tapa de combustible que ha quedado mal instalada, o simplemente soltarla y derramar combustible. Para reducir el riesgo de derrame de combustible e incendio, apriete la tapa de llenado de combustible a mano lo máximo posible.

Consulte el manual del propietario del motor Kohler para obtener más avisos e instrucciones relacionados con el combustible y el llenado.

Conexión del suministro de agua



No conecte la hidrolavadora directamente a un sistema de agua potable.

Si lo hace, instale una válvula antirretorno entre el grifo de agua y la manguera. El diseño de la válvula antirretorno debe cumplir con las normas correspondientes específicas de cada país.

ADVERTENCIA

Si el agua potable pasa por la válvula antirretorno, ya no se la puede considerar potable.

Respete las disposiciones de la empresa de suministro de agua local para evitar que el agua regrese de la hidrolavadora a la red de agua potable.

No use la máquina con agua sucia (es decir, agua que contenga arena, tierra u otras partículas). Si existe riesgo de que el agua esté sucia, utilice un filtro de agua apropiado o recurra a un suministro de agua alternativo.

Antes del arranque

ADVERTENCIA

Utilice la máquina únicamente si todos sus componentes están en buenas condiciones de funcionamiento. No maneje nunca una hidrolavadora que fue modificada, está dañada, mal ajustada o mantenida o que no fue armada completa y debidamente. No haga funcionar la hidrolavadora si el regulador fue modificado o está desconectado. Nunca intente modificar los controles o los dispositivos de seguridad.

ADVERTENCIA

Revise el sistema de combustible en busca de fugas, especialmente las piezas visibles, por ejemplo, la tapa de llenado y las conexiones de las mangueras. Para reducir el riesgo de lesiones personales o daños a la propiedad causados por incendios, no arranque el motor si la máquina tiene fugas o si presenta otros signos de daños. Solicite a un concesionario de servicio STIHL autorizado que repare la máquina antes de usarla.

ADVERTENCIA

Asegúrese de que el casquillo de la bujía esté firmemente colocado; un casquillo suelto puede crear un arco voltaico, encender los vapores del combustible y provocar un incendio.

ADVERTENCIA

Revise que el interruptor de encendido y apagado, la palanca del estrangulador, la válvula de corte de combustible y la palanca de aceleración funcionen correctamente. La palanca de aceleración debe moverse libremente.

ADVERTENCIA

Asegúrese de que la manguera de alta presión se encuentre en buenas condiciones y que no esté deshilachada, agrietada, deformada o dañada de ningún modo. No haga funcionar la máquina si la manguera de alta presión está dañada o gastada; reemplácela antes de usarla. Usar una manguera gastada o dañada, o que no cumple con los requisitos de alta presión de la hidrolavadora, puede causar lesiones personales. Si emplea una manguera de repuesto o de extensión de alta presión, asegúrese de que sea apta para soportar la presión máxima de la hidrolavadora. STIHL recomienda utilizar mangueras de repuesto o de extensión de alta presión marca STIHL que porten la designación que indique que son aptas para usar con su modelo específico de hidrolavadora.

Proteja la manguera de alta presión del calor y el aceite. No la aplaste, estrangule ni retuerza. Revise que todas las conexiones estén firmes y apretadas antes de empezar a trabajar.

ADVERTENCIA

Inspeccione la lanza rociadora y la pistola rociadora para detectar daños antes de empezar a trabajar. El gatillo de la pistola rociadora debe moverse fácilmente y volver de forma automática a la posición inicial al soltarlo. El bloqueo del gatillo debe estar en buenas condiciones de funcionamiento. Mantenga los asideros limpios en todo momento; es particularmente importante mantenerlos libres de alquitrán, aceite, combustible, grasa o resinas para garantizar que la hidrolavadora pueda empuñarse firmemente para mantenerla bajo control seguro.

Si emplea una pistola o un gatillo de repuesto, asegúrese de que sean aptos para soportar la presión máxima de la hidrolavadora. STIHL recomienda utilizar repuestos STIHL que porten la designación que indique que son aptos para usar con su modelo específico de hidrolavadora.

Para evitar sobrecalentamiento y daños permanentes a la hidrolavadora, siempre revise que el nivel de aceite del motor y de la bomba sea el adecuado antes de empezar a trabajar. También consulte el capítulo "Mantenimiento" en este manual de instrucciones, y la sección correspondiente del manual del propietario del motor Kohler para obtener más información sobre cómo mantener el nivel adecuado de aceite.

Siempre conecte y abra el suministro de agua a la bomba antes de encender el motor. No haga funcionar la hidrolavadora sin agua. De lo contrario, la bomba se sobrecalentará y posiblemente se dañe de forma permanente.

Familiarícese completamente con los controles. Sepa cómo apagar la hidrolavadora y liberar las presiones con rapidez.

Arranque

Para reducir la posibilidad de incendios y lesiones por quemaduras, arranque el motor al aire libre, por lo menos a 3 m (10 pies) del lugar donde lo haya llenado.

ADVERTENCIA

La hidrolavadora es una máquina que debe ser manejada por una sola persona. Para reducir el riesgo de sufrir lesiones en los ojos u otras lesiones causadas por la aspersión de agua o por objetos lanzados o rociados, mantenga a las demás personas alejadas de la zona de trabajo. Accione el bloqueo del gatillo en la pistola rociadora y apague el motor inmediatamente si alguien se le acerca.

Para obtener instrucciones específicas sobre el arranque, consulte la sección correspondiente del manual. Coloque la hidrolavadora sobre suelo firme y plano u otra superficie sólida en un lugar abierto. Mantenga el equilibrio y elija un buen punto de apoyo para los pies.

ADVERTENCIA

Cuando tire del mango de arranque, no enrolle la cuerda de arranque alrededor de la mano. No deje que el mango vuelva por sí solo a su posición original, sino guíe lentamente la cuerda con la mano para que se enrolle correctamente. Si no ejecuta este procedimiento puede lastimarse la mano o los dedos y también dañar el mecanismo de arranque.

Para obtener instrucciones específicas sobre el arranque, consulte el capítulo "Arranque" en este manual de instrucciones y la sección correspondiente del manual del motor Kohler.

Durante el funcionamiento

Sujeción y control del accesorio de pulverización

ADVERTENCIA

El chorro de aspersión produce fuerzas reactivas en el accesorio de pulverización, en dirección opuesta al sentido de pulverización (contragolpe). Sostenga el accesorio de pulverización firmemente con las dos manos para controlar las fuerzas reactivas, e incluso otras fuerzas de torsión que se generan al utilizar accesorios de pulverización angulares o una lanza rociadora angular.



! ADVERTENCIA

Para reducir el riesgo de lesiones personales, siempre sostenga el accesorio de pulverización colocando una mano firmemente en la pistola rociadora y envolviendo la otra mano en la pistola o la lanza rociadora mientras trabaja. Mantenga las manos en esta posición en todo momento mientras trabaja para mantener el control.

Mantenga las manos, los pies y cualquier otra parte del cuerpo lejos del chorro de agua en todo momento. El contacto con el chorro de agua puede producir laceración grave e inyección de fluidos.

! ADVERTENCIA

Para reducir el riesgo de pérdida de control y lesiones personales, no use la hidrolavadora con el gatillo de la pistola rociadora conectado en la posición

abierta. Para evitar descargas accidentales, accione el bloqueo del gatillo cuando la máquina no esté en uso.

! ADVERTENCIA

No trate de llegar más lejos de lo debido. Mantenga los pies bien apoyados y equilibrados en todo momento. Se debe tener cuidado especial si el suelo es resbaladizo y si se trabaja en terrenos inclinados o irregulares.

Para reducir el riesgo de tropezarse y de perder el control, no camine hacia atrás mientras está utilizando la hidrolavadora.

! ADVERTENCIA

Para reducir el riesgo de lesiones causadas por la pérdida del control, nunca trabaje con la hidrolavadora sobre una escalera o cualquier otra superficie de soporte poco seguro.

Detergentes

! ADVERTENCIA

Esta hidrolavadora está diseñada para utilizarla con agua sola o con un detergente específicamente formulado y aprobado para su uso con hidrolavadoras.

El uso de detergentes o agentes limpiadores inadecuados puede causar lesiones personales y daños a la máquina o a la superficie que desea limpiar.

Siempre use el detergente en la proporción especificada y siga las instrucciones de preparación y dilución

del detergente, y las indicaciones de uso y eliminación seguros provistas por el fabricante.

Los detergentes químicos pueden contener sustancias peligrosas (tóxicas, cáusticas o irritantes), inflamables o explosivas. En caso de que el detergente entre en contacto con la piel o los ojos, enjuague la zona afectada con abundante agua limpia inmediatamente. En caso de ingestión del detergente, busque atención médica de inmediato. Respete todos los avisos e instrucciones provistos por el fabricante del detergente.

Condiciones de trabajo

ADVERTENCIA



Apenas arranca, esta máquina genera vapores de escape tóxicos que contienen productos químicos (como hidrocarburos sin quemar y monóxido de carbono, incluido el benceno) considerados como causantes de enfermedades respiratorias, cáncer, defectos de nacimiento u otra toxicidad reproductora. Algunos de estos gases (por ejemplo, monóxido de carbono) pueden ser incoloros e inodoros y causar asfixia o muerte muy rápidamente. Para reducir el riesgo de sufrir lesiones o enfermedades graves o mortales por la inhalación de gases tóxicos, nunca haga funcionar la máquina bajo techo, en espacios reducidos o en lugares poco ventilados. Si debido a la falta de ventilación adecuada los gases de escape se concentran, traslade la máquina o tome otras medidas para lograr una ventilación apropiada antes de continuar.

Mantenga una distancia adecuada entre la máquina y ventanas, puertas, conductos de entrada de aire u otras aberturas abiertos para evitar que los

gases de escape ingresen a los edificios u otros espacios reducidos. Ubique la máquina de modo que los gases de escape se evacúen en dirección opuesta a la entrada de los edificios.

No haga funcionar la hidrolavadora en presencia de vapores inflamables, polvo, gases u otros materiales combustibles.

Los gases de escape están calientes. Para reducir el riesgo de incendio, no haga funcionar la máquina cerca de materiales inflamables o combustibles. Ubique la máquina de modo que los gases de escape se evacúen en dirección opuesta a dichos materiales.

ADVERTENCIA

Se pueden formar aerosoles mientras trabaja con la hidrolavadora. La inhalación de aerosoles puede ser nociva para la salud. Para determinar qué medidas se deben tomar para protegerse de los aerosoles acuosos, antes de empezar a trabajar, es necesario realizar una evaluación de riesgo en función de la superficie que se desea limpiar y su entorno. Las mascarillas clase FFP2 o superior son aptas para brindar protección contra los aerosoles acuosos.

ADVERTENCIA

Se debe evitar el escape de sustancias peligrosas (por ejemplo, asbesto o aceite) al medio ambiente cuando se trabaja con la hidrolavadora. Respete todas las normas ambientales cuando use la hidrolavadora.

ADVERTENCIA

Nunca rocíe materiales que contengan asbesto, como cemento de asbesto o revestimiento de asbesto. Además de suciedad, se pueden liberar fibras de asbesto peligrosas que se podrían inhalar.

La inhalación del polvo de asbesto es peligrosa y puede causar lesiones graves o mortales, enfermedades de las vías respiratorias o cáncer. El uso y la eliminación de los productos que contienen asbesto están estrictamente reglamentados por OSHA y el Organismo para la Protección del Medio Ambiente (EPA) de los EE.UU. Si por cualquier motivo cree que está rociando o perturbando asbesto, o si no está seguro si lo está haciendo, póngase en contacto inmediatamente con su empleador o un representante de OSHA o EPA local.

ADVERTENCIA

Nunca rocíe superficies que contengan pintura con plomo. Perturbar pintura a base de plomo es nocivo para la salud de los seres humanos y puede dañar el medio ambiente. El uso y la eliminación de los productos que contienen plomo están estrictamente reglamentados por OSHA y el Organismo para la Protección del Medio Ambiente (EPA) de los EE.UU. Si por cualquier motivo cree que está rociando una superficie que contiene pintura a base de plomo u otro producto con plomo, o si no está seguro si lo está haciendo, póngase en contacto inmediatamente con su empleador o un representante de OSHA o EPA local.

No haga funcionar la hidrolavadora a temperaturas menores que 0 °C (32 °F). Proteja la hidrolavadora de las temperaturas bajo cero porque pueden causar roturas en la bomba o dañar la manguera de alta presión o la pistola rociadora.

Instrucciones de manejo

ADVERTENCIA

En caso de un peligro inminente o de una emergencia, apague el motor inmediatamente moviendo el interruptor de encendido y apagado a la posición de apagado y accionando el bloqueo del gatillo en la pistola rociadora.

ADVERTENCIA

Si bien es necesario mantener a las demás personas lejos de la hidrolavadora en marcha, nunca trabaje solo. Manténgase a una distancia que le permita comunicarse con otras personas en caso de necesitar ayuda.

Apague el motor inmediatamente si alguien se le acerca y accione el bloqueo del gatillo en la pistola rociadora.

ADVERTENCIA

Nunca modifique el silenciador. La modificación del silenciador podría causar el aumento del calor irradiado, de las chispas y del nivel de ruido, lo que aumentará el riesgo de incendios, lesiones por quemadura o pérdida de la audición. Además, se podría dañar permanentemente el motor. STIHL

recomienda que haga reparar el silenciador únicamente por un concesionario de servicio STIHL.

ADVERTENCIA



El silenciador y otros componentes del motor (por ejemplo, aletas del cilindro, bujía) se calientan durante el funcionamiento y permanecen calientes por un buen rato después de apagar el motor. Para reducir el riesgo de quemaduras, no toque el silenciador ni los otros componentes mientras están calientes. Mantenga limpia la zona alrededor del silenciador. No deje que la manguera de alta presión toque el silenciador.

ADVERTENCIA

Una caja de cilindro dañada o mal instalada, o una envuelta del silenciador dañada o deformada, puede perjudicar el proceso de enfriamiento del silenciador. Para reducir el riesgo de incendio o lesiones por quemadura, no continúe trabajando con una caja de cilindro dañada o mal instalada, o una envuelta del silenciador dañada o deformada.

ADVERTENCIA

No maneje la hidrolavadora si el silenciador está dañado, se ha perdido o fue modificado. Un silenciador mal

cuidado aumenta el riesgo de incendio y puede causar pérdida de la audición. El silenciador está equipado con un chispero para reducir el riesgo de incendio; no maneje nunca la hidrolavadora si le falta el chispero o está dañado u obstruido. Para ciertas aplicaciones, las leyes o los reglamentos estatales o federales pueden exigir el uso de un chispero en buenas condiciones. Consulte la sección "Mantenimiento, reparación y almacenamiento" de este manual de instrucciones. Recuerde que el riesgo de incendios de matorrales o forestales es mayor durante las estaciones calurosas y secas.

Siempre respete los reglamentos locales cuando conecte el suministro de agua a la entrada de agua. Si está permitido realizar la conexión a la red de agua potable, nunca opere la hidrolavadora sin antes instalar una válvula antirretorno que funcione correctamente.

Durante el trabajo

ADVERTENCIA



Para reducir el riesgo de incendio o explosión que pueda provocar lesiones graves o mortales o daños a la propiedad, nunca pulverice líquidos inflamables o combustibles.



ADVERTENCIA

No introduzca en la bomba fluidos que contengan solventes o ácidos no diluidos (por ejemplo, gasolina, aceite para calefacción, diluyente de pintura o acetona). Estas sustancias dañan los materiales utilizados en la máquina. El rocío es altamente inflamable, explosivo y venenoso.

ADVERTENCIA



Dadas la alta presión y la velocidad de pulverización, los fluidos pueden penetrar en la piel y causar inyección de fluidos o lesiones cortantes graves. En caso de que ocurra un accidente y el rocío parezca haber penetrado en la piel, busque atención médica inmediatamente. No trate la herida como un simple corte.

Mantenga las manos, los pies y cualquier otra parte del cuerpo lejos del chorro de agua en todo momento. El contacto con el chorro de agua puede producir laceración grave e inyección de fluidos.

Para reducir el riesgo de laceración y otras lesiones personales graves, apague la hidrolavadora, libere la presión del sistema y bloquee el gatillo de la pistola rociadora antes de cambiar o ajustar alguna boquilla o accesorio.

ADVERTENCIA



No dirija el chorro a alta presión hacia usted o hacia otras personas, ni siquiera para limpiar ropa o calzado. En caso de que ocurra un accidente y el rocío parezca haber penetrado en la piel, busque atención médica inmediatamente. No trate la herida como un simple corte.

No dirija el chorro a alta presión hacia los animales.



Para reducir el riesgo de cortocircuito, incendio y electrocución, no dirija el rocío hacia aparatos o equipos eléctricos, tomacorrientes o cordones eléctricos.

No dirija el chorro a alta presión hacia lugares donde no puede ver.

No dirija el chorro a alta presión hacia la hidrolavadora ni hacia ninguno de sus componentes.

Para reducir el riesgo de daños a la propiedad, comience a trabajar a la mayor distancia útil posible de la superficie que desea limpiar. No trabaje muy cerca de la superficie porque la fuerza del rocío podría dañarla.

Tenga especial cuidado cuando pulverice sobre materiales más blandos, como tela. Se debe tener cuidado al dirigir el rocío hacia materiales frágiles, como vidrio. La rotura podría causar lesiones graves o mortales.

La máquina no se debe cubrir durante el uso o mientras el motor está caliente. Asegúrese de que el motor se haya enfriado lo suficiente antes de cubrirlo.

Si siente malestares, dolor de cabeza, problemas con la visión (por ej., el campo visual parece reducirse), problemas con los oídos, mareos o dificultades para concentrarse, suspenda el trabajo de inmediato. Tales síntomas pueden deberse a una concentración elevada de gases de escape.

Después de terminar el trabajo

Apague el motor después de terminar los trabajos. Cierre el suministro de agua y apriete el gatillo de la pistola rociadora para liberar la presión. Accione el bloqueo del gatillo cuando la máquina no esté en uso.

Desconecte la manguera de admisión de agua que va de la máquina al suministro de agua.

MANTENIMIENTO, REPARACIÓN Y ALMACENAMIENTO

Si usted reclama la garantía de algún componente que no ha sido reparado o mantenido debidamente, STIHL puede denegar la garantía.

ADVERTENCIA

Para reducir el riesgo de lesiones graves o mortales, STIHL recomienda utilizar solo repuestos STIHL o Kohler autorizados para las reparaciones y el mantenimiento. Siga escrupulosamente las instrucciones de mantenimiento y

reparación que se dan en este manual de instrucciones y en el manual del propietario del motor Kohler.

ADVERTENCIA

Las mangueras de alta presión, los accesorios y los acoplamientos son importantes para la seguridad de la máquina. STIHL recomienda utilizar solo mangueras de alta presión, accesorios, acoplamientos y otras piezas aprobados por STIHL para esta máquina, o que sean técnicamente equivalentes. Solicite a su concesionario de servicio STIHL autorizado una lista de las piezas y los accesorios aprobados.

La manguera de alta presión y todos los accesorios, acoplamientos y boquillas pulverizadoras deben estar aprobados para la sobrepresión admisible de la máquina.

La sobrepresión admisible, la temperatura máxima permitida y la fecha de fabricación se especifican en el recubrimiento de la manguera de alta presión.

ADVERTENCIA

Antes de llevar a cabo una inspección, mantenimiento, limpieza o un trabajo de otro tipo en la máquina, apague el motor, cierre el suministro de agua y oprima el gatillo de la pistola pulverizadora hasta que se libere por completo la presión del sistema. No intente llevar a cabo ningún trabajo de mantenimiento o reparación que no esté descrito en este manual de instrucciones. STIHL le recomienda que

encargue este tipo de trabajos a su concesionario de servicio de STIHL autorizado.

No limpie la máquina con una hidrolavadora. El potente chorro de agua podría dañar piezas de la máquina.

ADVERTENCIA

Para reducir el riesgo de incendio y quemaduras, así como de daños materiales, utilice solamente las bujías autorizadas por STIHL o Kohler. Siempre inserte el casquillo de la bujía bien apretado en el borne de la bujía del tamaño adecuado. (Nota: Si el borne tiene una tuerca adaptadora SAE desmontable, esta debe estar bien colocada.) Una conexión suelta entre el borne de la bujía y el conector del cable de encendido del casquillo puede crear un arco voltaico que puede, a su vez, encender los vapores del combustible y provocar un incendio. Mantenga la bujía limpia, y asegúrese de que el cable de encendido está en buen estado.

ADVERTENCIA

Nunca pruebe el sistema de encendido si el casquillo se ha retirado de la bujía o si la bujía no está enroscada, ya que las chispas al descubierto pueden causar un incendio.

ADVERTENCIA

En California, constituiría una violación de los acápites § 4442 o § 4443 del Código de Recursos Públicos el uso de herramientas con motor de gasolina en tierras cubiertas por bosques, arbustos o pastos, a menos que el sistema de

escape del motor cuente con un parachispas que satisfaga los requisitos legales y reciba un mantenimiento adecuado para estar en buenas condiciones de funcionamiento. El propietario/operador de este producto es responsable de garantizar un mantenimiento adecuado del parachispas. Otros estados, u otras entidades/agencias gubernamentales, tales como el Servicio Forestal de los EE.UU., pueden tener requisitos similares. Póngase en contacto con el cuerpo de bomberos o con el servicio forestal de su localidad para informarse sobre las leyes y los reglamentos relacionados con los requisitos para la prevención de incendios.

Si necesita más información sobre mantenimiento, consulte también la tabla de mantenimiento de este manual de instrucciones.

ADVERTENCIA

La unidad no se debe usar ni guardar a temperaturas inferiores a cero. Si tiene que transportar o guardar la hidrolavadora a temperaturas bajo cero, llene la bomba de anticongelante para evitar que la dilatación del agua provoque grietas. Consulte el capítulo "Almacenamiento de la máquina" de este manual.

Guarde la hidrolavadora en un lugar seco y con llave lejos del alcance de los niños.

ADVERTENCIA

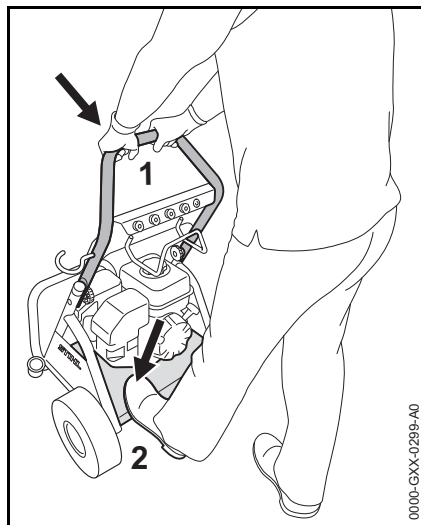
Guarde el combustible solo en un envase de seguridad aprobado para tal uso y debidamente etiquetado. Para

reducir el riesgo de lesiones y de daños materiales, tenga cuidado cuando manipule la gasolina. Evite el contacto directo con la piel y evite inhalar los vapores de combustible.

GUARDE ESTAS INSTRUCCIONES

Traslado de la unidad

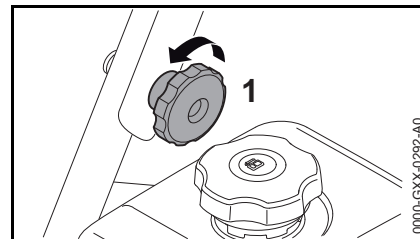
Traslado de la hidrolavadora



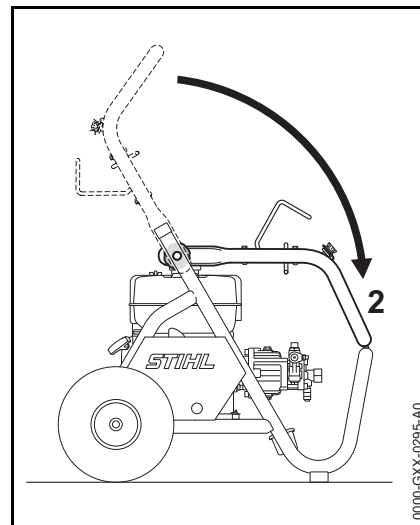
- Presione el mango de transporte (1) con las dos manos.
- Establezca la hidrolavadora colocando el pie sobre la placa de protectora (2).

Plegado del mango de transporte

El mango de transporte se puede plegar para achicar la hidrolavadora para el transporte y almacenamiento.



- Afloje la perilla (1) de ambos lados.



- Mueva el mango de transporte (2) hacia abajo lo máximo posible.

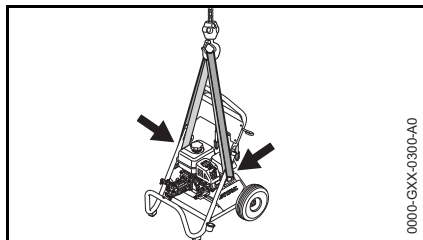
ADVERTENCIA

Tenga cuidado al extender o plegar el mango de transporte. Evite que las manos u otras partes del cuerpo queden aprisionadas entre el mango de transporte y la carcasa.

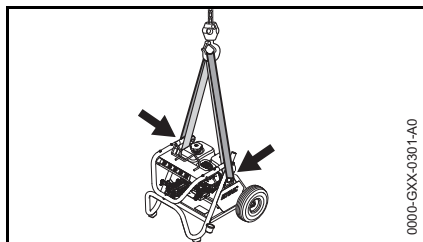
Elevación de la hidrolavadora con una grúa

Para elevar la hidrolavadora con una grúa, fije las correas a los siguientes puntos del marco.

Mango de transporte extendido



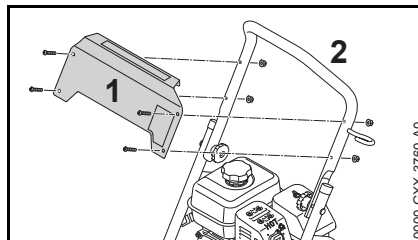
Mango de transporte plegado



Antes del primer uso

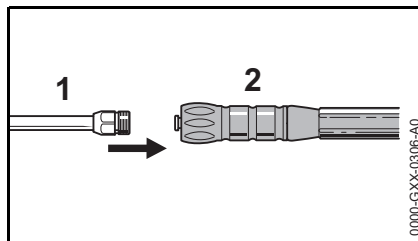
Instalación de piezas y accesorios

Tablero



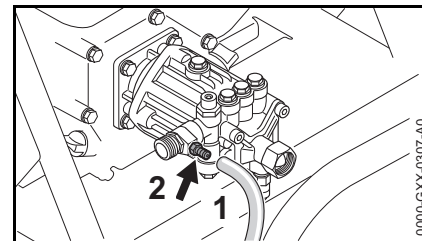
- Monte el tablero (1) en el bastidor (2)

Lanza rociadora



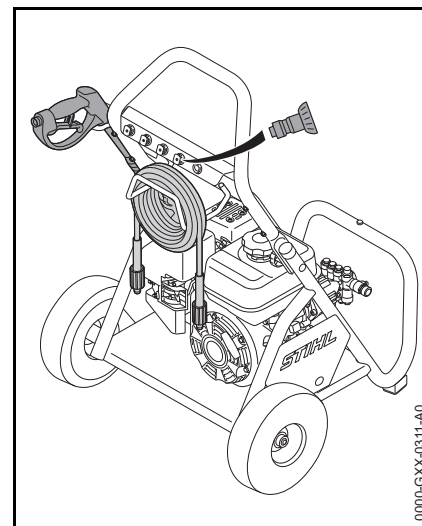
- Conecte la lanza rociadora (1) a la pistola (2)

Manguera de aspiración de detergente



- Conecte la manguera de aspiración de detergente (1) al conector de presión baja (2) de la bomba.

Almacenamiento de accesorios



- Coloque el accesorio de rociado en el portador del bastidor
- Cuelgue la manguera de presión en el portador del bastidor
- Inserte las boquillas de presión alta en los portadores del bastidor

Conexión y desconexión de la manguera de alta presión

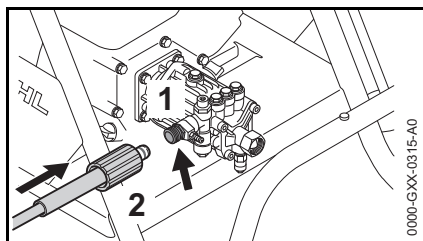
! ADVERTENCIA

Para reducir el riesgo de lesiones graves causadas por el rocío a alta presión, siempre apague la hidrolavadora y libere la presión que queda en la línea apretando el gatillo de la pistola rociadora antes de desconectar la manguera de alta presión de la bomba o de la pistola rociadora.

- Retire toda la arena y la suciedad de las conexiones.

Conexión a la bomba de alta presión

Conexión



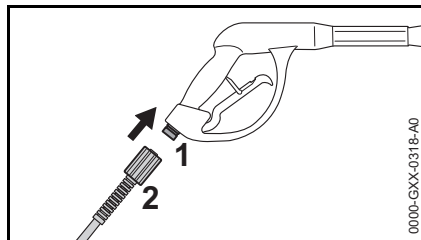
- Coloque la manguera de alta presión en el conector de alta presión (1).
- Instale la tuerca de unión (2) y apriétela con la mano.

Desconexión

- Desenrosque la tuerca de unión.
- Desconecte la manguera de presión del conector de presión.

Conexión a la pistola rociadora

Conexión



- Coloque la manguera de alta presión en el acoplamiento de la pistola rociadora (1).
- Instale la tuerca de unión (2) y apriétela con la mano.

Desconexión

- Desenrosque la tuerca de unión.
- Desconecte la manguera de alta presión del acoplamiento de la pistola rociadora.

Conexión del suministro de agua

La hidrolavadora está equipada con una válvula de seguridad que deja escapar el agua caliente automáticamente de la bomba de alta presión. Nunca haga funcionar la hidrolavadora con el agua a una temperatura mayor que 52 °C (125 °F). Consulte el capítulo "Funcionamiento" en este manual para obtener más información sobre la válvula de seguridad.

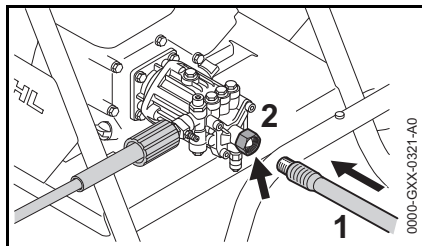
Siempre cumpla con los requisitos de suministro de agua estipulados en el capítulo "Especificaciones" de este manual.

INDICACIÓN

Un caudal de agua escaso puede dañar la bomba de alta presión. Encienda el motor solo si la manguera de agua está conectada, y si el suministro de agua está abierto y entrega la cantidad de agua mínima estipulada en el capítulo "Especificaciones".

Conexión de la manguera de agua

- Retire toda la arena y la suciedad de las conexiones.
- Conecte la manguera al suministro de agua.
- Abra el grifo de agua y enjuague la manguera para que no ingresen arena y otras partículas de suciedad en la bomba de alta presión.

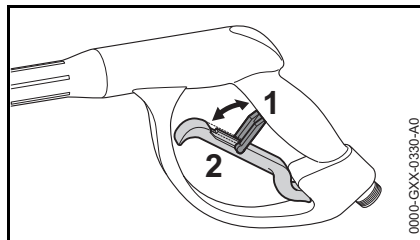


- Cierre el suministro de agua y conecte la manguera (1) a la bomba de alta presión (2).

Ventilación del sistema

Antes de encender el motor, es necesario ventilar la bomba de alta presión y el sistema de la manguera.

- Después de conectar el suministro de agua y la manguera de alta presión a la hidrolavadora, desenrolle la manguera de alta presión completamente, apóyela sobre suelo plano y extiéndala si tiene pliegues.
- Abra el suministro de agua.
- Apunte el accesorio de pulverización (sin la boquilla de alta presión instalada) hacia el suelo.



- Suelte el bloqueo del gatillo (1).
- Apriete el gatillo de la pistola rociadora (2) y espere hasta que el caudal de agua que sale de la lanza rociadora sea uniforme.
- Suelte el gatillo de la pistola rociadora y accione el bloqueo del gatillo.

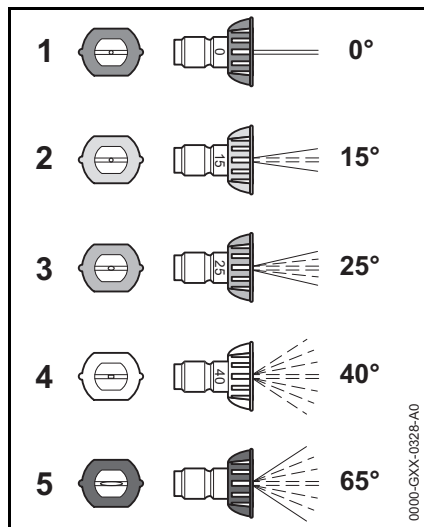
INDICACIÓN

La falta de agua puede dañar la bomba de alta presión. Encienda el motor solo si la manguera de suministro de agua está conectada y si el suministro de agua está abierto.

Inserción y retiro de la boquilla

Elección de la boquilla adecuada

La hidrolavadora se ofrece con una variedad de boquillas de alta presión que se pueden conectar a la lanza rociadora.



- 1 **Boquilla de chorro estrecho (roja), ángulo del chorro: 0°**
Boquilla que sirve para quitar la tierra pegada del hormigón y metal. No utilice la boquilla de chorro estrecho sobre madera u otras superficies blandas. El chorro de agua concentrado puede dañar la superficie. (No se vende con los modelos RB 400 y RB 600).
- 2 **Boquilla de chorro en abanico (amarilla), ángulo del chorro: 15°**
Boquilla para limpiar suciedad rebelde.
- 3 **Boquilla de chorro en abanico (verde), ángulo del chorro: 25°**
Boquilla universal para limpiar superficies grandes.

- 4 **Boquilla de chorro en abanico (blanca), ángulo del chorro: 40°**
Boquilla que sirve para limpiar superficies delicadas.
- 5 **Boquilla de baja presión (negra), ángulo del chorro: 65°**
Boquilla para utilizar con detergente.
Use el conector de baja presión y la manguera de aspiración para extraer detergente de un envase de detergente. El detergente se agrega al agua en la bomba de alta presión.

Inserción de la boquilla

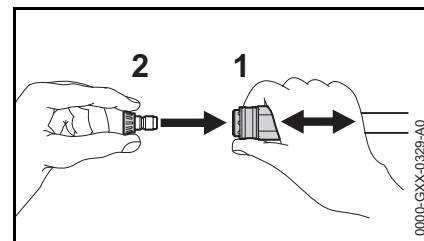
ADVERTENCIA

Para reducir el riesgo de laceración y otras lesiones personales graves causadas por la inyección de fluidos, apague la hidrolavadora, libere la presión del sistema y bloquee el gatillo de la pistola rociadora antes de retirar, instalar o ajustar alguna boquilla o accesorio.

ADVERTENCIA

Verifique que la boquilla esté firmemente sujeta en el acoplamiento rápido. De lo contrario, podría salir despedida de la lanza rociadora durante el funcionamiento y causar lesiones.

- Apague la hidrolavadora y apriete el gatillo de la pistola rociadora para liberar la presión del sistema.
- Bloquee el gatillo de la pistola rociadora.
- Retire toda la arena y la suciedad de la conexión.



- Tire hacia atrás del manguito de acoplamiento (1) hasta que tope, y sosténgalo en esa posición.
- Presione la boquilla de alta presión (2) contra el acoplamiento hasta que tope.
- Empuje el manguito de acoplamiento hacia adelante hasta que tope.
- Tire de la boquilla de alta presión para verificar que esté firmemente asentada.

Retiro

- Tire hacia atrás del manguito de acoplamiento (1) hasta que tope, y sosténgalo en esa posición.
- Tire de la boquilla de alta presión (2) para retirarla del acoplamiento.
- Suelte el manguito de acoplamiento.

Arranque del motor

INDICACIÓN

La falta de agua puede dañar la bomba de alta presión. Encienda el motor solo si la manguera de suministro de agua está conectada y si el suministro de agua está abierto.

- Conecte la manguera de alta presión.
- Conecte la manguera de suministro de agua y abra el suministro de agua.
- Ventile el sistema.

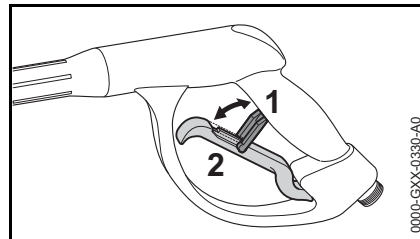
Consulte las secciones "Conexión del suministro de agua" y "Ventilación del sistema" en este manual de instrucciones.

Consulte el manual del propietario del motor Kohler para obtener todas las instrucciones de encendido.

Trabajo

Accionamiento de la pistola rociadora

- Apunte el accesorio de pulverización hacia la superficie que desea limpiar.



- Suelte el bloqueo del gatillo (1).
- Apriete el gatillo de la pistola rociadora (2).

Modo de espera

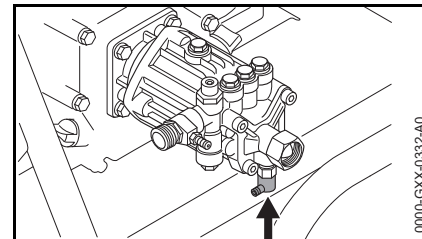
INDICACIÓN

Hacer funcionar el motor por más de 2 minutos sin pulverizar puede causar daños graves a la hidrolavadora.

Apague el motor:

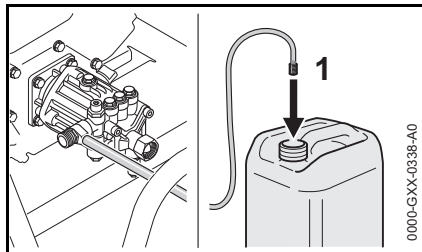
- Antes de tomar un descanso
- Si va a dejar la máquina desatendida
- En cualquier momento que no vaya a pulverizar por más de 2 minutos

Válvula de seguridad



Si el motor funciona en modo de espera sin pulverizar, el agua en la bomba de alta presión se calienta hasta los 60 °C (140 °F). La válvula de seguridad deja escapar el agua caliente automáticamente de la bomba de alta presión para que ingrese agua fría al sistema.

Adición de detergente



Utilice la manguera de aspiración para aspirar el detergente de un recipiente aparte. El detergente se añade al agua en la bomba de presión:

- Añada el detergente a un recipiente aparte y dilúyalo con agua según la proporción indicada por el fabricante.
- Empuje el cuerpo del aspirador (1) hasta donde sea posible en el recipiente.
- Conecte la boquilla negra de 65° a la lanza rociadora.

El detergente solo puede usarse con la boquilla de 65° de presión baja (negra).

Cuando se usa la función de aspiración del detergente, utilice solamente 1 manguera de presión alta entre la bomba y la pistola rociadora. Si se añaden mangueras de extensión, la acción de aspiración del detergente podría resultar deficiente.

- Cuando se aplica detergente, empiece por la parte inferior y avance en sentido ascendente.

Para obtener los mejores resultados, no permita que el detergente se seque sobre la superficie que se está

limpiando. Lea y respete los avisos e instrucciones provistos por el fabricante del detergente en relación con el uso apropiado.

Limpeza del cuerpo del aspirador, la manguera y el inyector

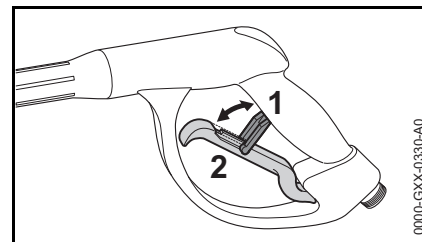
Toda vez que termine de trabajar con detergente, pase agua limpia por la bomba para limpiar la manguera y demás componentes de la hidrolavadora.

- Sumerja el cuerpo del aspirador en agua limpia y sin detergente.
- Accione la pistola por aproximadamente 5 segundos para aspirar agua limpia a través de la manguera

Apagado del motor

Consulte el manual del propietario del motor Kohler para obtener todas las instrucciones de apagado del motor.

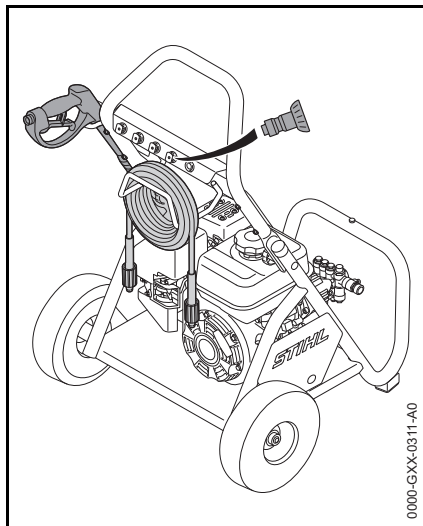
- Apague el motor.
- Cierre el suministro de agua.
- Mantenga apretado el gatillo de la pistola rociadora hasta que solo salgan gotas de la boquilla de alta presión y se libere la presión del sistema.



- Suelte el gatillo de la pistola rociadora (2) y accione el bloqueo del gatillo (1).

Después de completar el trabajo

- Desconecte la manguera de agua.
- Desconecte la manguera de alta presión.



- Enrolle la manguera de alta presión y colégala en el soporte.
- Retire la boquilla de alta presión de la lanza rociadora y colóquela en el sujetador incorporado en el marco.
- Coloque el accesorio de pulverización en el sujetador.
- Limpie la hidrolavadora con un trapo húmedo.

Almacenamiento de la máquina

- Guarde la hidrolavadora bajo techo, en un lugar seco.

INDICACIÓN

Las temperaturas heladas pueden dañar los componentes de la hidrolavadora. Guarde la hidrolavadora bajo techo en un lugar seco, protegida de las temperaturas heladas.

Protección contra heladas / contra corrosión

Si no es posible guardar la hidrolavadora en una sala protegida contra las temperaturas heladas, efectúe las tareas siguientes:

- Vacíe el agua de la manguera de presión.
- Desconecte la lanza rociadora de la pistola.
- Apunte la lanza rociadora hacia abajo y espere a que se haya escurrido toda el agua.
- Apunte la pistola hacia abajo, oprima el gatillo y espere a que se haya escurrido toda el agua.
- Conecte un recipiente con anticongelante directamente, o mediante una manguera de aspiración, a la entrada de agua de la bomba de presión alta.
- Con el motor apagado, tire de la cuerda de arranque varias veces hasta que se aspire el

anticongelante dentro de la bomba de presión y salga por el conector de presión alta.

- Recoja el anticongelante en un envase y deséchelo de forma no dañina para el medio ambiente y según las especificaciones del fabricante.

Almacenamiento de la hidrolavadora por 2 meses o más

Si la hidrolavadora va a estar fuera de servicio por 2 meses ó más:

Estabilización del combustible

- Añada líquido de tratamiento de combustible Kohler PRO Series, o un estabilizador equivalente, al depósito de combustible.
- Para distribuir el estabilizador a través del sistema de combustible, conecte el suministro de agua y permita que el motor funcione por 2 a 3 minutos mientras se oprime el gatillo de la pistola.

INDICACIÓN

Hacer funcionar el motor por más de 2 minutos sin pulverizar puede causar daños graves a la hidrolavadora.

Otras tareas de mantenimiento

Consulte el manual del propietario del motor Kohler para obtener más información sobre cómo guardar el motor.

Información para mantenimiento

Antes de efectuar labores de inspección, mantenimiento, limpieza o de otro tipo en la máquina, apague el motor, cierre el suministro de agua y oprima el gatillo de la pistola hasta que se libere la presión del sistema por completo.

La información dada a continuación corresponde bajo condiciones normales de funcionamiento. Los intervalos que se especifican deberán acortarse proporcionalmente si las horas de trabajo por jornada son más largas. Si la máquina se usa sólo ocasionalmente, los intervalos pueden extenderse en consecuencia. NOTA: Kohler recomienda cambiar el aceite del motor luego de las primeras 5 horas de funcionamiento.		Antes de empezar a trabajar	Al final del trabajo y/o diariamente	Semanalmente o cada 40 horas de funcionamiento	Después de las primeras 5 horas de funcionamiento	Cada 100 horas de funcionamiento o una vez al año	Si tiene daños	Según se requiera
Toda la hidrolavadora	Inspección visual (condición general, fugas)	X						
	Limpiar		X					X
Aceite de la bomba de presión	Cambiar				X ¹⁾	X ¹⁾		
Conectores de la manguera de presión alta	Limpiar		X					X
	Engrasar							X
Acoplamiento de lanza rociadora y la pistola	Limpiar	X						X
Malla de admisión de agua en la entrada de la bomba de presión	Limpiar			X				X
	Reemplazar						X	
Boquilla de presión alta	Limpiar							X
	Reemplazar						X	
Aberturas de ventilación / superficies de enfriamiento / lumbreras de admisión de aire	Limpiar	X						X
Inyector en salida de bomba de presión	Limpiar							X
Burlete de caucho en el bastidor	Revisar							X
	Reemplazar						X	
Motor	Mantener	Lea y siga todas las instrucciones de mantenimiento y cuidado dadas en el manual del motor Kohler.						

¹⁾ STIHL recomienda acudir a un concesionario STIHL autorizado para servicio.

Mantenimiento

Antes de realizar alguna tarea de mantenimiento o limpieza:

- Coloque la hidrolavadora sobre una superficie limpia y nivelada.
- Apague el motor.
- Mantenga apretado el gatillo de la pistola rociadora hasta que solo salgan gotas de la boquilla de alta presión y se libere la presión del sistema.
- Deje que la hidrolavadora se enfríe.

Tareas de mantenimiento general

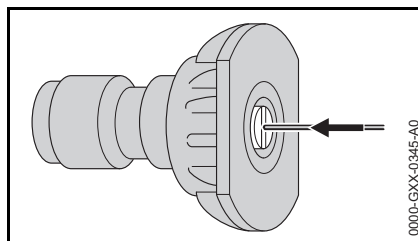
Limpieza de la hidrolavadora

Mantenga las aberturas de ventilación, las aletas del cilindro del motor y la bomba de alta presión limpias para evitar el sobrecalentamiento.

- Limpie la hidrolavadora con un trapo húmedo. No limpie la máquina con una hidrolavadora. El chorro fuerte de agua puede dañar la máquina o sus componentes.
- Limpie las aberturas de ventilación y las aletas del cilindro con un pincel o un cepillo suave.

Limpieza de la boquilla de alta presión

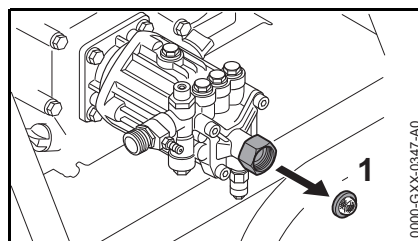
Una boquilla de alta presión que está obstruida puede hacer que se acumule demasiada presión en la bomba. Limpie la boquilla de alta presión si se obstruye.



- Retire la boquilla de alta presión.
- Limpie la boquilla de alta presión de adelante hacia atrás con una aguja adecuada, y enjuéguela con agua.

Tareas de mantenimiento en la bomba de alta presión

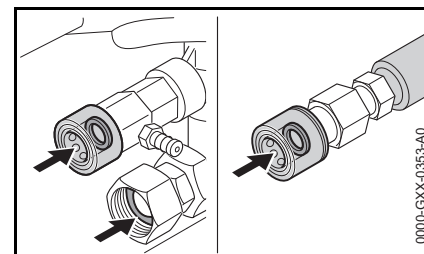
Limpieza del filtro en la entrada de agua



- Retire el filtro (1) de la entrada de agua con un objeto romo, pero tenga cuidado de no perforarlo.
- Limpie el filtro.
- Vuelva a colocar el filtro en la entrada de agua y presiónelo de manera uniforme para que se asiente correctamente.

Lubricación de las conexiones

Si es necesario, lubrique los siguientes anillos tóricos o empaquetaduras con grasa universal:

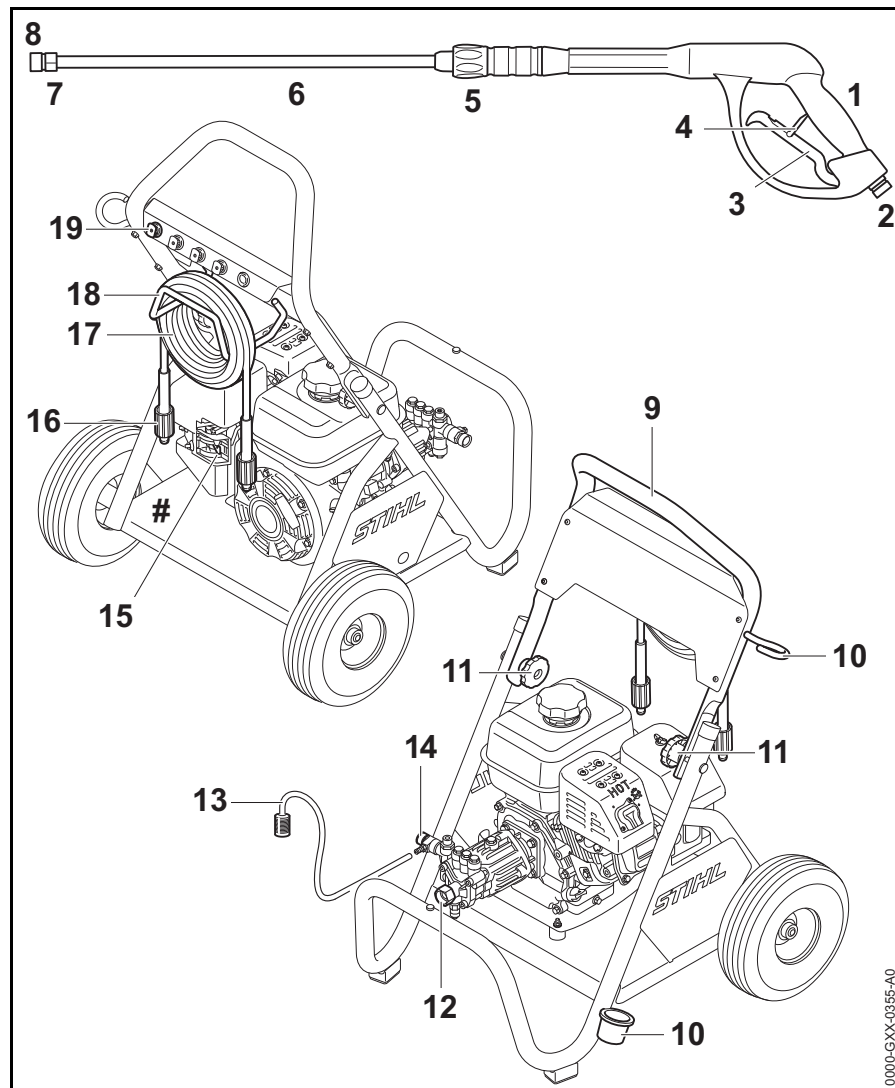


- Empaquetadura del filtro en la entrada de agua
- Anillo tórico del manguito de acoplamiento en la salida del conector de alta presión
- Anillo tórico del manguito de acoplamiento en la manguera de alta presión
- Anillo tórico del acoplamiento de la lanza rociadora

Tareas de mantenimiento del motor

Lea y respete las instrucciones de funcionamiento, cuidado y mantenimiento del motor dadas en el manual del propietario del motor Kohler.

Componentes importantes



- 1 Pistola rociadora
- 2 Acoplamiento de la manguera de alta presión
- 3 Gatillo de la pistola rociadora
- 4 Bloqueo del gatillo
- 5 Acoplamiento de la lanza rociadora
- 6 Lanza rociadora
- 7 Acoplamiento de la boquilla de alta presión
- 8 Boquilla de alta presión
- 9 Mango de transporte
- 10 Sujetador del accesorio de pulverización
- 11 Perilla
- 12 Conector de la entrada de agua con filtro
- 13 Manguera de aspiración de detergente
- 14 Conector de la manguera de alta presión
- 15 Interruptor de encendido/apagado¹⁾
- 16 Acoplamiento con tuerca de unión
- 17 Manguera de alta presión
- 18 Soporte de la manguera de alta presión
- 19 Sujetador de las boquillas de alta presión
- # Chapa de identificación del modelo

1) Para obtener más información sobre el motor y sus componentes, consulte el manual de propietario del motor Kohler.

Definiciones

- 1 Pistola rociadora**
Controla el chorro a alta presión.
- 2 Acoplamiento de la manguera de alta presión**
Sirve para conectar la manguera de alta presión a la pistola rociadora.
- 3 Gatillo de la pistola rociadora**
Abre y cierra la válvula de la pistola rociadora.
- 4 Bloqueo del gatillo**
Bloquea el gatillo de la pistola rociadora.
- 5 Acoplamiento de la lanza rociadora**
Sirve para conectar la lanza rociadora a la pistola rociadora.
- 6 Lanza rociadora**
Conduce el agua de la pistola rociadora a la boquilla de alta presión.
- 7 Acoplamiento de la boquilla de alta presión**
Sirve para conectar la boquilla de alta presión a la lanza rociadora.
- 8 Boquilla de alta presión**
Crea la forma y la intensidad del chorro a alta presión.
- 9 Mango de transporte**
Sirve para trasladar la hidrolavadora.
- 10 Sujetador del accesorio de pulverización**
Sirve para guardar el accesorio de pulverización.

- 11 Perilla**
Sirve para extender y plegar el mango de transporte.
- 12 Conector de la entrada de agua con filtro**
Sirve para conectar la manguera de agua a la bomba de alta presión. El filtro evita el ingreso de suciedad y basura a la bomba.
- 13 Manguera de aspiración de detergente**
Sirve para extraer detergente de un envase separado.
- 14 Conector de la manguera de alta presión**
Sirve para conectar la manguera de alta presión a la bomba de alta presión.
- 15 Interruptor de encendido/apagado**
Sirve para encender y apagar el motor.
- 16 Acoplamiento de la manguera de alta presión**
Sirve para conectar la manguera de alta presión a la pistola rociadora y a la bomba de alta presión.
- 17 Manguera de alta presión**
Conduce el agua de la bomba de alta presión a la pistola rociadora.
- 18 Soporte de la manguera de alta presión**
Sirve para guardar la manguera de alta presión.
- 19 Sujetador de las boquillas de alta presión**
Sirve para guardar las boquillas de alta presión.

Especificaciones

Motor

Fabricante:	Kohler
Denominación del modelo:	SH 270
Tipo:	Motor de un cilindro y cuatro tiempos
Combustible:	Gasolina
Encontrará especificaciones adicionales en el manual de instrucciones del motor.	

Bomba de alta presión

Presión nominal/admisible:	lb/in ²	2700
	MPa	19
	bar	190
Caudal máximo de agua:	gal/min	2,7
	l/min	10,2
	l/h	620
Fuerza máxima de contragolpe:	N	33,1

Suministro de agua

Diámetro de la manguera de agua:	in.	3/4
Largo máximo de la manguera de agua:	m	15,25
	pies	50
Cantidad mínima:	gal/min	3,7

	l/min	14	Detergente
	l/h	840	
Presión mínima:	lb/in ²	14,5	Proporción de mezcla: 1:45 detergente a agua
	bar	1	
Presión máxima:	lb/in ²	130	
	bar	9	
Temperatura máxima del agua:	°F	125	
	°C	52	

Dimensiones

Largo (aprox.):	in.	28,50
	mm	724
Ancho (aprox.):	in.	27,50
	mm	699
Altura posición de mar- cha (aprox.):	in.	39,50
	mm	1003
Altura posición de trans- porte (aprox.):	in.	25,75
	mm	654
Largo manguera de alta presión (aprox.):	pies	25
	m	7,6
Diámetro manguera de alta presión (aprox.):	in.	1/4

Peso

Hidrolavadora con acce- sorio rociador y manguera de alta presión (aprox.):	lb	90
	kg	41

Localización de averías

Bomba de presión

Antes de efectuar labores de inspección, mantenimiento, limpieza o de otro tipo en la máquina, apague el motor, cierre el suministro de agua y oprima el gatillo de la pistola hasta que se libere la presión del sistema por completo.

Condición	Causa	Solución
Poca o ninguna agua sale de la boquilla de presión alta La presión disminuye o fluctúa	Manguera de agua retorcida	Eliminar la retorcadura
	Manguera de presión retorcida	Sustituya la manguera de presión
	Falta de agua	Abra la llave de agua completamente Compruebe el diámetro y largo de la manguera de admisión
	Régimen muy bajo del motor	Use el motor a aceleración máxima Solicite la reparación del motor ¹⁾
	Obstrucción de malla de admisión de agua en la entrada de la bomba de presión	Limpie la malla de admisión de agua — consulte “Mantenimiento”
	Aire en el sistema	Ventile el sistema por medio de accionar la pistola varias veces en intervalos cortos
	La bomba de presión aspira aire	Compruebe todas las conexiones de admisión de agua y séllelas de ser necesario
	Boquilla de presión alta obstruida / averiada	Limpie la boquilla de presión alta — consulte “Mantenimiento” Sustituya la boquilla de presión alta
	Válvulas averiadas en la bomba de presión	Solicite la reparación de la bomba de presión ¹⁾
	Empaquetaduras averiadas en la bomba de presión	Solicite la reparación de la bomba de presión ¹⁾
	La bomba de presión se ha congelado	Descongelar la bomba de presión
	Temperatura muy alta del agua	Mantener la temperatura del agua a niveles admisibles — consulte “Especificaciones”

¹⁾ STIHL recomienda acudir a un concesionario STIHL autorizado para servicio.

Antes de efectuar labores de inspección, mantenimiento, limpieza o de otro tipo en la máquina, apague el motor, cierre el suministro de agua y oprima el gatillo de la pistola hasta que se libere la presión del sistema por completo.

Condición	Causa	Solución
Sale agua por la válvula de alivio térmica	La temperatura del agua es muy alta.	No haga funcionar la hidrolavadora por más de 2 minutos sin pulverizar.
	La válvula de seguridad tiene una fuga.	Haga reparar la válvula de seguridad. ¹⁾
Sale aceite de la bomba de alta presión.	La bomba de alta presión tiene una fuga.	Haga reparar la bomba de alta presión. ¹⁾
No sale detergente.	El tanque de detergente está vacío.	Llene el depósito de detergente
	Obstrucción en la manguera de aspiración o el filtro de admisión	Elimine la obstrucción
	Inyector obstruido o sucio	Limpie el inyector — consulte "Mantenimiento"
	Boquilla de detergente / boquilla de presión baja no insertada / obstruida	Inserte / limpie la boquilla de detergente / boquilla de presión baja

Motor


Antes de efectuar labores de inspección, mantenimiento, limpieza o de otro tipo en la máquina, apague el motor, cierre el suministro de agua y oprima el gatillo de la pistola hasta que se libere la presión del sistema por completo.

Condición	Causa	Solución
El motor no arranca	La bomba de alta presión se congeló.	Descongele la bomba de alta presión.
	La bomba de alta presión está bloqueada.	Solicite la reparación de la bomba de presión ¹⁾
	Lea y atégase a las instrucciones de funcionamiento, cuidado y mantenimiento del motor dadas en el manual del motor Kohler.	
El motor no arranca, funciona de modo irregular o se apaga de inmediato	Lea y atégase a las instrucciones de funcionamiento, cuidado y mantenimiento del motor dadas en el manual del motor Kohler.	
Se consume mucho combustible.	Lea y atégase a las instrucciones de funcionamiento, cuidado y mantenimiento del motor dadas en el manual del motor Kohler.	

1) STIHL recomienda acudir a un concesionario STIHL autorizado para servicio.

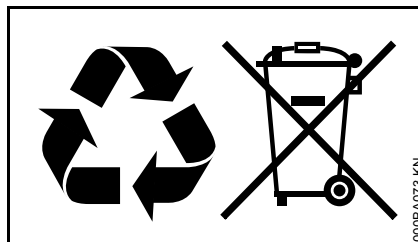
Información de reparación

Los usuarios de esta máquina deben efectuar únicamente los trabajos de mantenimiento y reparación descritos en este manual. STIHL recomienda que un concesionario de servicio STIHL autorizado efectúe los demás trabajos de reparación utilizando repuestos originales STIHL.

Los repuestos originales STIHL se identifican por medio del número de pieza STIHL, el logotipo **STIHL**® y el símbolo de piezas STIHL  (el símbolo aparece solo en algunas piezas pequeñas).

Desecho

Respete todas las leyes y los reglamentos sobre eliminación de desechos que correspondan a su país.



No se debe botar los aparatos STIHL en el basurero. Lleve el producto, los accesorios y el embalaje a un vertedero autorizado para reciclarlos y contribuir al cuidado del medio ambiente.

Comuníquese con un concesionario de servicio de STIHL para obtener la información más actualizada sobre la eliminación de desechos.

Garantía limitada

Política de garantía limitada de STIHL Incorporated para piezas y componentes no relacionados con las emisiones

Este producto se vende sujeto a la Política de garantía limitada de STIHL Incorporated, disponible en

www.stihlusa.com/warranty.html.

También puede obtenerlo de un concesionario de servicio STIHL autorizado o llamando al 1-800-GO-STIHL (1-800-467-8445).

Se proporciona una garantía aparte para el sistema de control de emisiones y para los componentes relacionados con el sistema de emisiones.

Marcas comerciales

Marcas registradas de STIHL

STIHL®

STIHL®



La combinación de colores anaranjado-gris (Números de registro EE.UU. 2,821,860; 3,010,057, 3,010,058, 3,400,477; y 3,400,476)



AutoCut®

FARM BOSS®

iCademy®

MAGNUM®

MasterWrench Service®

MotoMix®

OILOMATIC®

ROCK BOSS®

STIHL Cutquik®

STIHL DUROMATIC®

STIHL Quickstop®

STIHL ROLLOMATIC®

STIHL WOOD BOSS®

TIMBERSPORTS®

WOOD BOSS®

YARD BOSS®

Algunos de las marcas comerciales de STIHL por ley común



4-MIX™

BioPlus™

Easy2Start™

EasySpool™

ElastoStart™

Ematic™

FixCut™

IntelliCarb™

Master Control Lever™

Micro™

Pro Mark™

Quiet Line™

STIHL M-Tronic™

STIHL OUTFITTERS™

STIHL PICCO™

STIHL PolyCut™

STIHL PowerSweep™

STIHL Precision Series™

STIHL RAPID™

STIHL SuperCut™

TapAction™

TrimCut™

Esta lista de marcas comerciales está sujeta a cambios.

Queda terminantemente prohibido todo uso de estas marcas comerciales sin el consentimiento expreso por escrito de ANDREAS STIHL AG & Co. KG, Waiblingen.

 **WARNING**

This product contains chemicals known to the State of California to cause cancer, birth defects or other reproductive harm.

 **ADVERTENCIA**

Este producto contiene sustancias químicas consideradas por el Estado de California como causantes de cáncer, defectos de nacimiento u otra toxicidad reproductora.

 **WARNING**

The engine exhaust from this product contains chemicals known to the State of California to cause cancer, birth defects or other reproductive harm.

 **ADVERTENCIA**

El gas de escape del motor de esta máquina contiene productos químicos que en el estado de California son considerados como causantes de cáncer, defectos de nacimiento u otros efectos nocivos para los órganos de la reproducción.

0458-691-8621-B

englisch / spanisch USA



www.stihl.com



0458-691-8621-B