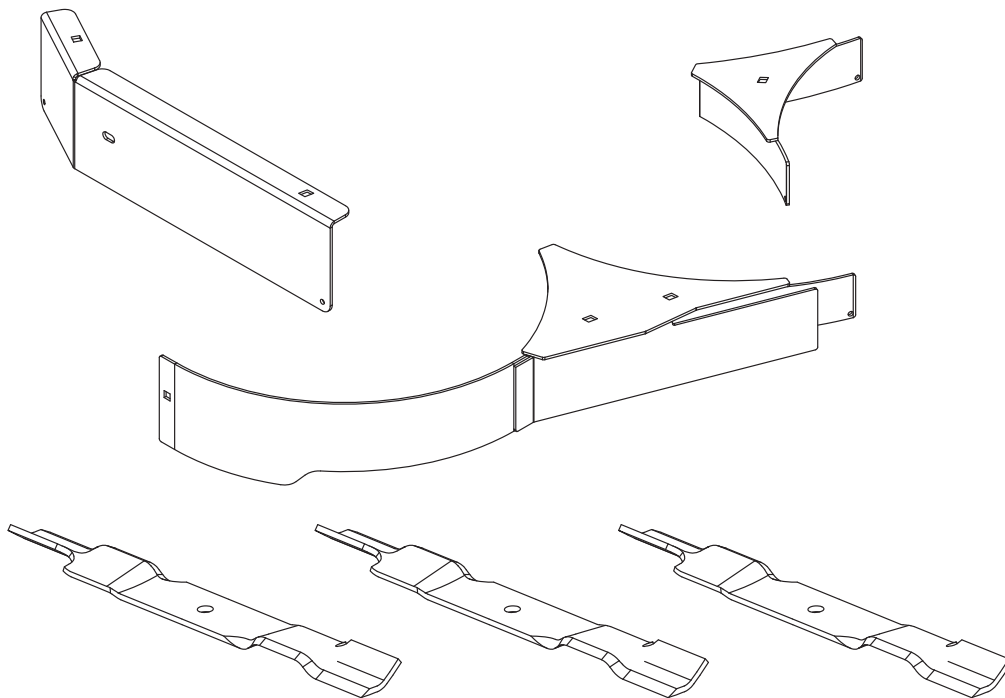


AMZ 072

STIHL



Set-Up and Operating Instructions



WARNING

Read Set-Up and Operating Instructions thoroughly before use and follow all safety precautions. Improper use can cause serious or fatal injury.

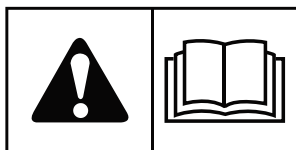


Table of Contents

General Information	2
Operator Safety	3
Parts in Carton	4
Installation	5
Operation	7
Removal	7
Maintenance & Storage	8
Limited Warranty	9

General Information

Thank you for purchasing this quality-built STIHL product. We're pleased that you've placed your confidence in the STIHL brand.

The manuals included with this equipment contain safety information to make you aware of the hazards and risks associated with the equipment and how to avoid them. This equipment was designed to be used as described in the operator's manual and is not intended for any other purpose. It is important that you read and understand the instructions thoroughly before attempting to operate this equipment.

Save these original instructions for future reference.

The images in this document are representative, and are meant to complement the instructional copy they accompany. Your unit may vary from the images displayed. *LEFT* and *RIGHT* are as seen from the operator's position.

Have your authorized STIHL servicing dealer show you how to operate your equipment.

Do not lend or rent your equipment without this operator's manual. Allow only persons who have the proper training and fully understand the information in this manual to operate the equipment.

For further information, or if you do not understand any of the instructions in this manual, please go to stihlusa.com or contact your authorized STIHL servicing dealer.



Recycle all packaging, used oil, and batteries according to applicable government regulations.

Attachment Information

The following attachments are covered by this manual:

AMZ 072 Mulch Kit for STIHL RZ 972

This attachment is designed for use only on the following models:

STIHL RZ 972.0


WARNING


Unsafe Operation Hazard


- Do not attempt to use this attachment on a unit other than one for which it has been designed. Death or serious injury can result.


Operator Safety

Safety Alert Symbol and Signal Words

The safety alert symbol  is used to identify safety information about hazards that can result in personal injury. A signal word (**DANGER**, **WARNING**, or **CAUTION**) is used with the alert symbol to indicate the likelihood and the potential severity of injury. In addition, a hazard symbol may be used to represent the type of hazard.

 **DANGER** indicates a hazard which, if not avoided, will result in death or serious injury.

 **WARNING** indicates a hazard which, if not avoided, could result in death or serious injury.

 **CAUTION** indicates a hazard which, if not avoided, could result in minor or moderate injury.

NOTICE indicates information considered important but not hazard-related.

Safety Instructions

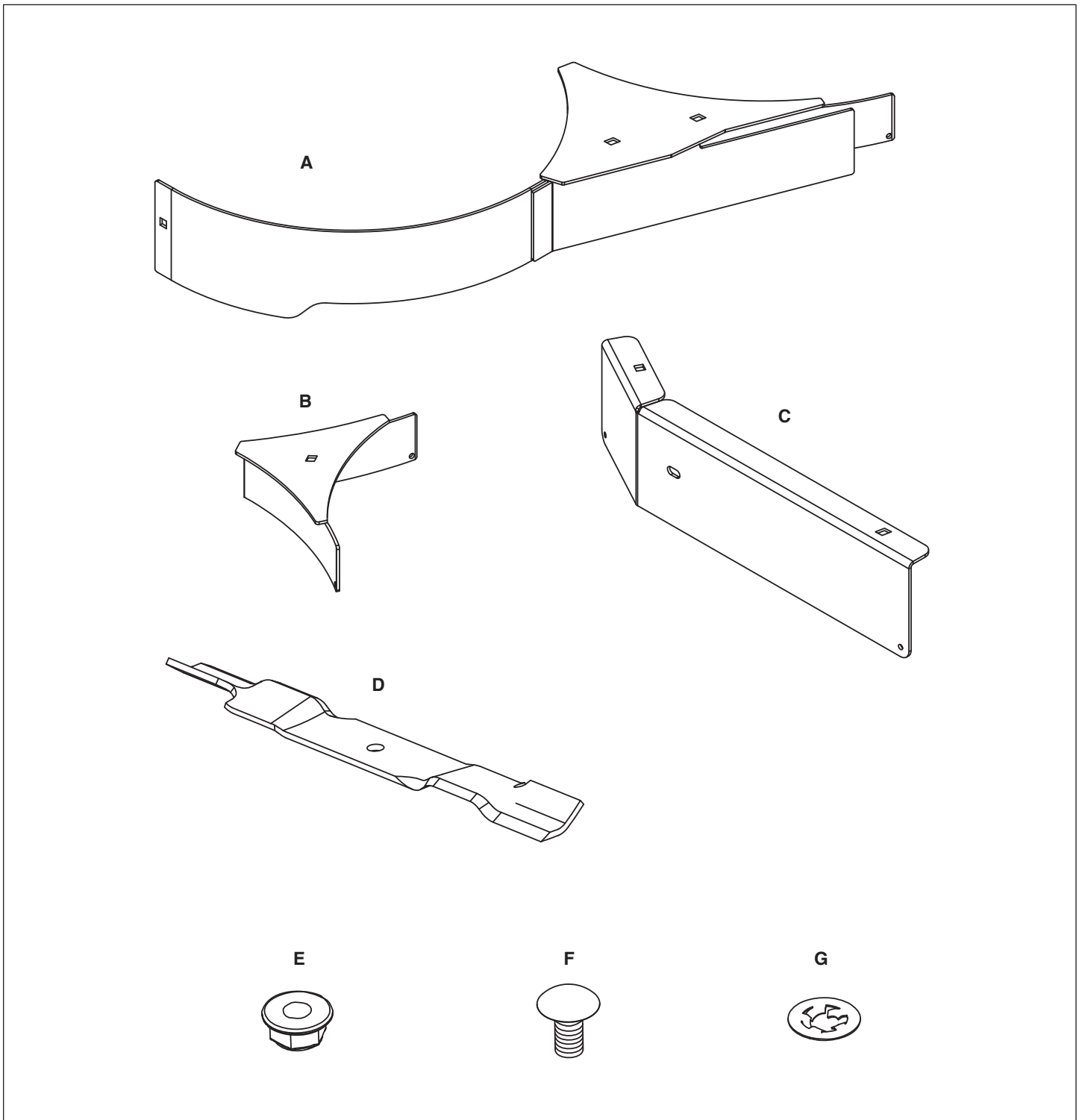
General Safety

WARNING

- Read, understand, and follow the instructions and warnings in this manual and on the unit, engine, and attachments before you operate this unit.
- Failure to read and follow these safety instructions could result in loss of control of the unit, severe personal injury, or death to you, or bystanders, or damage to property or equipment. The mowing deck is capable of amputating hands and feet and throwing objects.
- Do not operate the unit unless you have been trained. The owner is responsible for training the users. Reading and understanding the operator's manual is a way to train yourself.
- If the operator(s) or mechanic(s) cannot read the material it is the owner's responsibility to explain the material to them.
- Power equipment is only as safe as the operator. If it is misused, or not properly maintained, it can be dangerous. The owner/user can prevent, and is responsible for, accidents or injuries occurring to themselves, other people, or property.
- Only let adults who are responsible, trained, familiar with the instructions, and physically capable to operate the unit.
- Never let children or untrained people operate or service the unit. Local regulations may restrict the age of the operator.
- Do not operate the unit while under the influence of alcohol or drugs.

- Never use a smart phone, tablet, or other electronic device while operating. Distracted operation can increase the risk of accident or personal injury.
- Wear appropriate personal protective equipment such as safety shoes, long pants, safety glasses, and ear protection. Long hair, loose clothing or jewelry may get tangled in moving parts.
- Use common sense, and think through what you are doing. If you are not sure that the task you are about to perform can be safely done with the equipment you have chosen, ask a professional: contact your authorized STIHL servicing dealer.
- Do not put hands or feet near rotating parts or under the unit. Keep clear of the discharge opening at all times.
- Keep the unit in good working order. Replace worn or damaged parts.
- Use full width ramps when you load and unload the unit for transport.
- Use care with grass catchers or other attachments. These can change the stability of the unit. See attachment or accessory manual or contact your authorized STIHL dealer for information on proper wheel weights or counterweights.
- To help prevent fires, keep the unit free of grass, leaves, or other unwanted material. Clean remaining oil or fuel spillage. Remove fuel soaked debris and let the unit cool before storage.

Parts in Carton



- A** - BAFFLE, 72" Right (1)
- B** - BAFFLE, 72" Left (1)
- C** - PLATE, Blockoff (1)
- D** - BLADE, 72" Mulching (3)

- E** - NUT, Nylock Flange, 3/8-16 (6)
- F** - BOLT, Carriage, 3/8-16 x 1 (6)
- G** - RETAINER, Pushnut, 3/8 (4)

Installation

Note: The mower deck must be leveled whenever the mulch kit is installed or removed. Refer to the unit Operator's Manual for deck leveling instructions.

Note: The zero turn mower is equipped with a Safety Interlock System. This system is present for your safety: do not attempt to bypass or tamper with the switches and devices. Check the system using the Safety Interlock System Tests listed in the Operator's Manual. Anytime the mulch kit is installed or removed, you must perform this test.

Preparation

! WARNING

Amputation and crushing hazard

Specific steps must be taken in order to perform service and maintenance procedures safely.

Read and follow all the applicable safety and instructional messages in this manual.

Always disengage the mower blades, set the parking brake, turn the engine OFF, remove the ignition key, and wait for all movement to stop prior to performing service and maintenance procedures.

Always disconnect the spark plug wire(s) and fasten it away from the plug before beginning any maintenance or service procedures in order to prevent accidental ignition.

Wear appropriate personal protective equipment such as safety shoes, safety glasses, gloves, and ear protection. Long hair, loose clothing or jewelry may get tangled in moving parts.

Use of parts that are not authorized or approved by STIHL may cause serious or fatal injury or property damage.

Refer to the unit Operator's Manual for more information.

KEY:

Lower Case Letters (a) = Existing Parts

Upper Case Letters (A) = Kit Parts

Install the Mulch Baffles

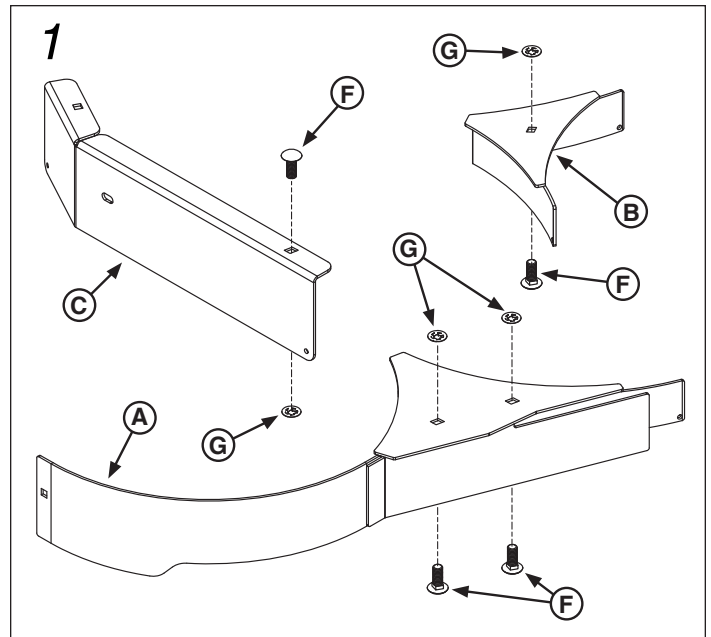
! CAUTION

Laceration Hazard

Mower blades are sharp.

Always wear gloves when handling, or working near, mower blades.

1. Remove the deflector plate, if equipped.
2. Assemble both baffles (A and B, Figure 1) and the blockoff plate (C) with four carriage bolts (F) and pushnut retainers (G) as shown.



3. Remove the mower deck from the zero turn mower. See the unit Operator's Manual for instructions to remove the mower deck.

Note: A hoist or similar lifting device to lift the deck will help with installation of the mulch kit.

! WARNING

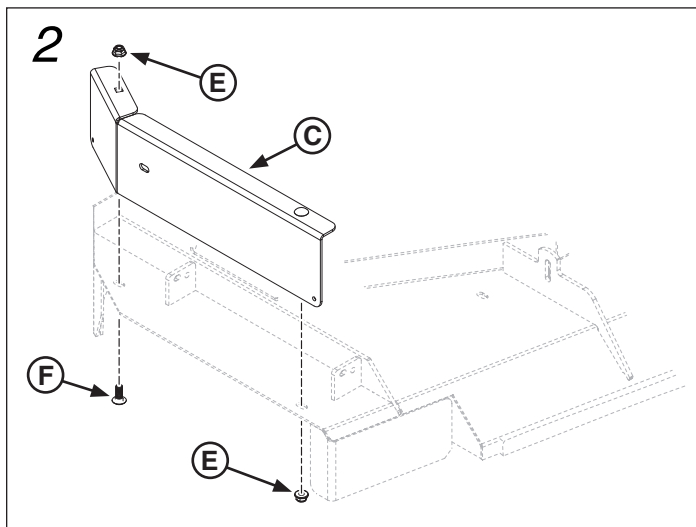
Crushing hazard

Make sure that the hoist is securely fastened to the mower deck before lifting and while installing the kit.

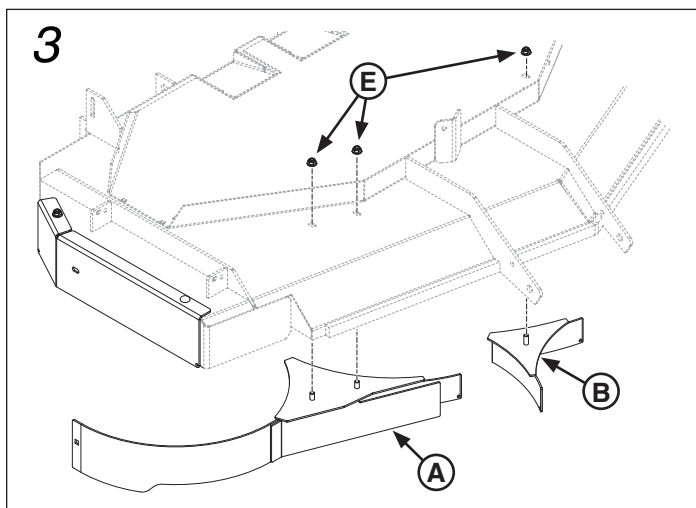
4. Raise the discharge deflector and secure in the raised position.

5. Install the blockoff plate (C, Figure 2) onto the mower deck. Use a 3/8" nylock flange nut (E) to secure the front and a 3/8" carriage bolt (F) with a 3/8" nylock flange nut (E) on the rear, going up through the bottom of the mower deck. Tighten the hardware to 20 lb-ft (27 Nm).

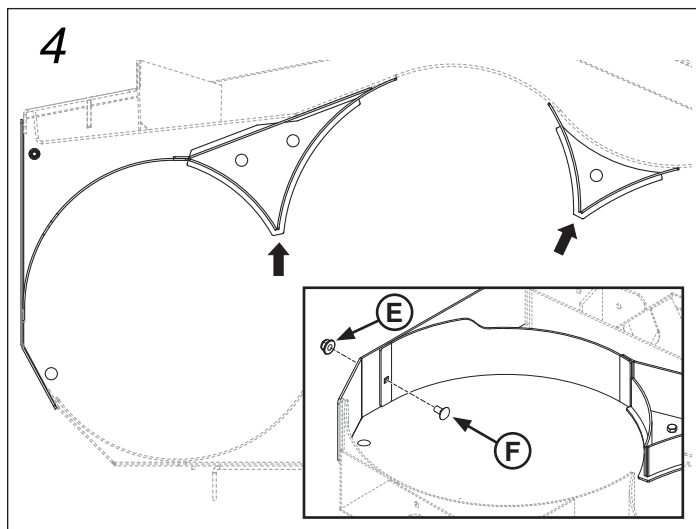
Note: Discharge deflector not shown for clarity only. Do not remove.



6. Install the right baffle (A, Figure 3) and left baffle (B) under the mower deck as shown in Figure 3 and secure with 3/8" nylock flange nuts (E). Do not tighten.



7. Push the baffles tight against the front deck ring and tighten the 3/8" nylock flange nuts to 20 lb-ft (27 Nm). See Figure 4.
8. Install a 3/8" carriage bolt (F, Figure 4, inset) and 3/8" nylock flange nut (E) to secure the right baffle to the blockoff plate. Tighten the hardware to 20 lb-ft (27 Nm).



Replace the Blades

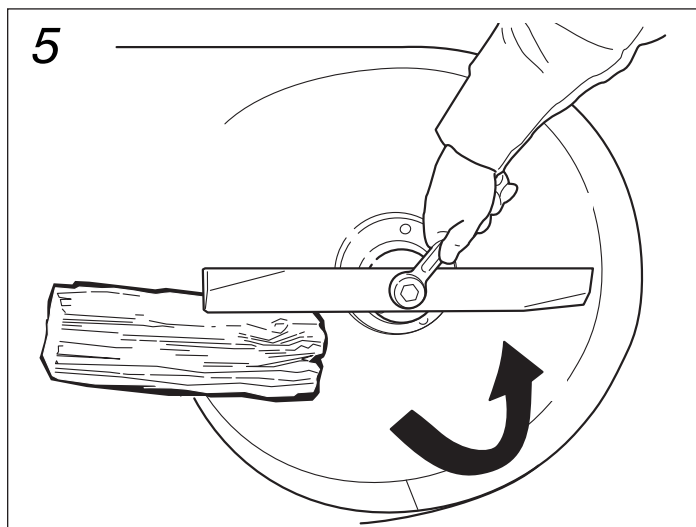
⚠ CAUTION

Laceration Hazard

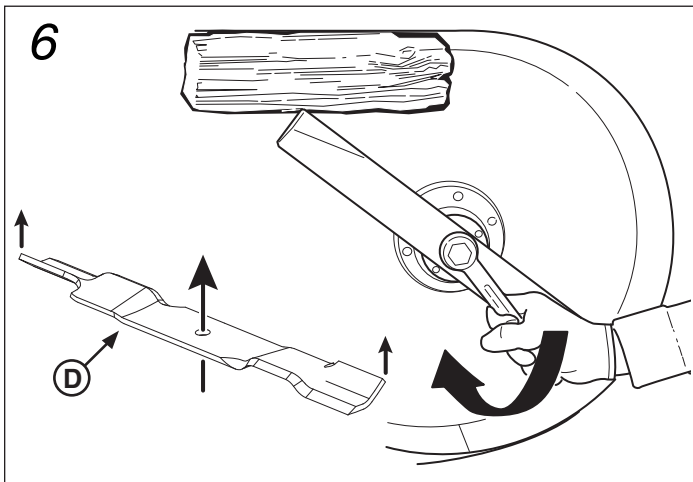
Mower blades are sharp.

Always wear gloves when handling, or working near, mower blades.

1. To remove the mower blades, wedge a wooden block between the mower blade and the mower deck housing to keep the mower blade from turning, then remove the blade hardware. See Figure 5.



2. Install the new mulching blades using the existing hardware. Be sure to install the blades in the correct direction. See Figure 6. Tighten the blade hardware to 50-60 lb-ft (68-81 Nm).



3. Install the mower deck onto the zero turn mower. See the Operator's Manual for instructions.

Operation

Refer to the unit Operator's Manual for detailed mulching instructions.

Removal

Note: The mower deck must be leveled whenever the mulch kit is installed or removed. Refer to the unit Operator's Manual for deck leveling instructions.

Note: The zero turn mower is equipped with a Safety Interlock System. This system is present for your safety: do not attempt to bypass or tamper with the switches and devices. Check the system using the Safety Interlock System Tests listed in the Operator's Manual. Anytime the mulch kit is installed or removed, you must perform this test.

WARNING

Amputation and Thrown Objects Hazard

Do not operate the unit without either the entire mulch kit or the deflector in place.

Preparation

See *Installation - Preparation*.

Remove the Mulch Kit

Reverse Installation Instructions. Make sure that the discharge deflector is returned to the lowered position.

CAUTION

Laceration Hazard

Mower blades are sharp.

Always wear gloves when handling, or working near, mower blades.

Maintenance & Storage

WARNING

Amputation and Crushing Hazard

Specific steps must be taken in order to perform service and maintenance procedures safely.

Read and follow all the applicable safety and instructional messages in this manual.

Always disengage the mower blades, set the parking brake, turn the engine OFF, remove the ignition key, and wait for all movement to stop prior to performing service and maintenance procedures.

Always disconnect the spark plug wire(s) and fasten it away from the plug before beginning any maintenance or service procedures in order to prevent accidental ignition.

Remove any debris from the mulch kit. To clean, use a mild detergent only. (Other products may damage the components.)

Check the mulch kit for worn or damaged parts. If any wear or damage is found, see an authorized STIHL servicing dealer for repair or replacement before putting the attachment back into service.

Use only STIHL recommended replacement parts when making repairs.

If paint has been scratched on metal parts, touch up with paint or apply a thin coat of oil.

To prevent corrosion, store in a dry area.

Also see the Maintenance section of the unit Operator's Manual.

Troubleshooting

<i>Mower clogging or bogging down.</i>	
Cause	Remedy
Grass is wet	Allow grass to dry
Grass is too high	Adjust to a higher cutting height
Ground speed too fast	Use slower ground speed
Engine speed too slow	Set engine speed to FAST

Also see the Troubleshooting section of the unit Operator's Manual.

For all other issues, see an authorized STIHL servicing dealer.

Limited Warranty

STIHL Incorporated Limited Warranty Policy - USA

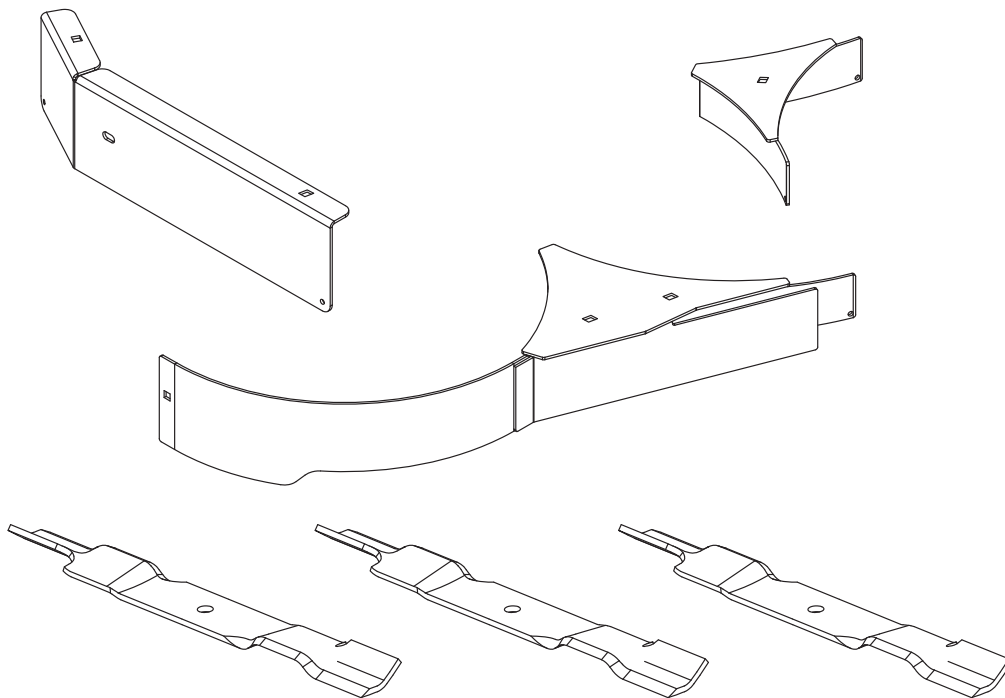
This product is sold subject to the STIHL Incorporated Limited Warranty Policy, available at www.stihlusa.com/warranty.html. It can also be obtained from your authorized STIHL servicing dealer or by calling 1-800-GO-STIHL (1-800-467-8445).

STIHL Limited Warranty Policy - Canada

This product is sold subject to the STIHL Limited Warranty Policy, available at www.stihl.ca. It can also be obtained from your authorized STIHL servicing dealer.

AMZ 072

STIHL

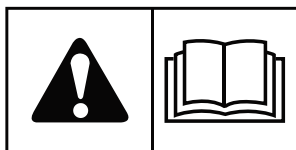


Instrucciones de montaje y operación



ADVERTENCIA

Lea las instrucciones de montaje y operación cuidadosamente antes de su uso y respete todas las precauciones de seguridad. El uso inadecuado puede provocar lesiones graves o mortales.



Índice

Información general	2
Seguridad del operador	3
Piezas en la caja	4
Instalación	5
Operación	7
Retiro	7
Mantenimiento y almacenamiento	8
Garantía limitada	9

Información general

Gracias por comprar este producto STIHL de alta calidad. Le agradecemos la confianza que ha depositado en la marca STIHL.

Los manuales incluidos en este equipo contienen información de seguridad para que usted conozca los peligros y riesgos propios de este equipo y cómo evitarlos. Esta categoría de equipo fue diseñada para ser utilizada como se describe en el manual del operador y no fue diseñada para ninguna otra finalidad. Es importante que lea y comprenda bien las instrucciones antes de intentar operar este equipo.

Conserve estas instrucciones originales para su consulta futura.

Las imágenes en este documento son representativas y buscan complementar el texto instructivo que acompañan. Su unidad puede variar respecto de las imágenes mostradas. *IZQUIERDA* y *DERECHA* son vistas desde la posición del operador.

Pida a su distribuidor de servicio autorizado STIHL que le muestre como operar su equipo.

No preste ni rente su equipo sin el manual del operador. Permita que solo personas con la capacitación adecuada, y que comprendan completamente la información de este manual, que operen este equipo.

Para más información, o si no comprenden las instrucciones de este manual, visite stihlusa.com, o contacte a su distribuidor de servicio autorizado STIHL.



Recicle todo el empaque, aceite usado, y baterías de conformidad con las normas gubernamentales correspondientes.

Información de conector

Los siguientes conectores están cubiertos por este manual:
AMZ 072 Kit de triturador de césped para STIHL RZ 972

Este conector está diseñado para usar con los siguientes modelos únicamente:

STIHL RZ 972.0


ADVERTENCIA


Riesgo de operación insegura


- No intente usar este conector en alguna unidad que no sea aquella para la cual fue diseñado. Puede provocar lesiones graves o la muerte.


Seguridad del operador

Símbolo de alerta de seguridad y palabras de señalización

El símbolo de alerta de seguridad  se usa para identificar información de seguridad acerca de los peligros que pueden producir lesiones corporales. La palabra de señalización (**PELIGRO, ADVERTENCIA** o **PRECAUCIÓN**) se usa con el símbolo de alerta para indicar la probabilidad de una lesión y su gravedad potencial. Además, se puede utilizar un símbolo de peligro para representar el tipo de peligro.

 **PELIGRO** indica un peligro, que si no se evita, provocará la muerte o lesiones graves.

 **ADVERTENCIA** indica un peligro, que si no se evita, podría provocar la muerte o lesiones graves.

 **PRECAUCIÓN** indica un peligro, que si no se evita, podría provocar lesiones leves o moderadas.

AVISO indica información que se considera importante, mas no está relacionada con peligros.

Instrucciones de seguridad

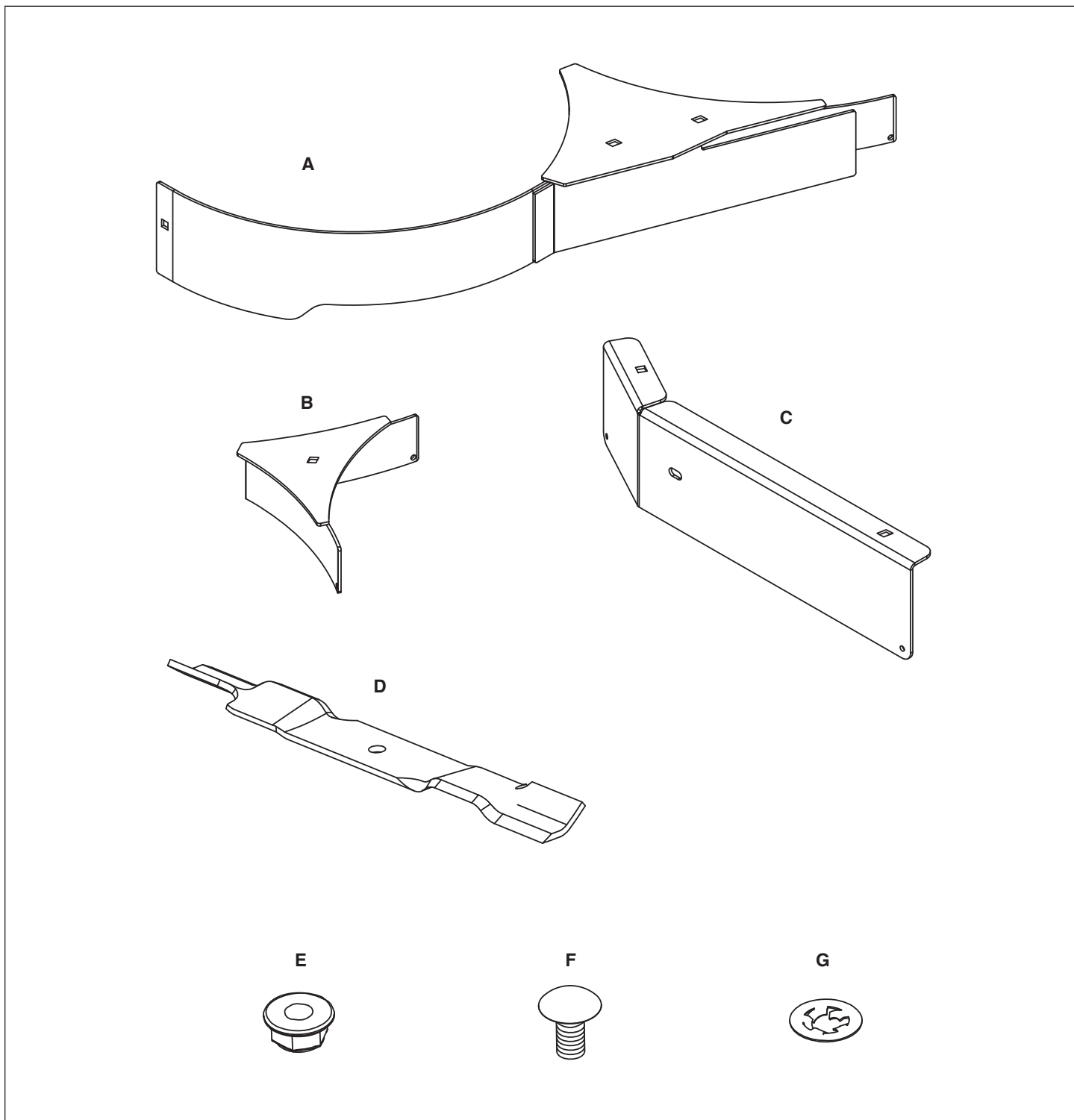
Seguridad general

ADVERTENCIA

- Lea, comprenda y siga las instrucciones y advertencias en este manual y en la unidad, el motor y los accesorios antes de operar la unidad.
- No leer y respetar estas instrucciones de seguridad podría resultar en la pérdida del control de la unidad, lesiones corporales graves o la muerte para el usuario o para terceros, o daños a la propiedad o a los equipos. La cubierta de cortacésped puede amputar manos y pies, y arrojar objetos.
- No opere esta unidad, a menos que esté capacitado en su uso. El propietario es responsable de capacitar a los usuarios. Leer y comprender el manual del operador es una forma de capacitarse.
- Si los operadores o mecánicos no pueden leer el material, es la responsabilidad del propietario explicarles este material.
- Los equipos eléctricos son tan seguros como lo sea el operador. Si se le da uso indebido, o no se le realiza el mantenimiento correspondiente, ¡puede ser peligroso! El propietario o usuario puede prevenir accidentes o lesiones que sufra él mismo, otras personas o propiedad, de los cuales es responsable.
- Solo permita que adultos responsables, capacitados, que estén familiarizados con las instrucciones, y que sean físicamente competentes operen la unidad.
- Nunca permita que niños o personas sin capacitación operen o realicen el mantenimiento de la unidad. Las normas locales pueden restringir la edad del operador.

- No opere la unidad bajo la influencia de alcohol o drogas.
- Nunca utilice un teléfono inteligente, tableta, u otro dispositivo electrónico al operar. La operación distraída puede aumentar el riesgo de accidente o lesiones.
- Utilice el equipo de protección personal, tal como calzado de seguridad, pantalones, gafas de seguridad y protección auditiva. El cabello largo, la ropa floja o joyas pueden enredarse en las partes móviles.
- Use el sentido común y piense con detenimiento lo que hace. Si no tiene certeza que la tarea que está por realizar puede hacerse de manera segura con el equipo que ha elegido, pregúntele a un profesional: comuníquese con el distribuidor de servicio autorizado STIHL.
- No coloque las manos o los pies cerca de las piezas giratorias o debajo de la unidad. Manténgase alejado de la abertura de descarga en todo momento.
- Mantenga la unidad en buen funcionamiento. Cambie piezas desgastadas o dañadas.
- Utilice rampas de ancho total cuando cargue y descargue la unidad para su transporte.
- Tenga cuidado con los recolectores de césped u otros aditamentos. Estos pueden alterar la estabilidad de la unidad. Consulte el manual de aditamentos o accesorios, o contacte a su distribuidor autorizado STIHL para más información sobre los pesos y contrapesos adecuados de las ruedas.
- Para ayudar a prevenir incendios, mantenga la unidad libre de césped, hojas, y otros materiales no deseados. Limpie el derrame de aceite o combustible. Retire los desechos empapados de combustible y permita que la unidad se enfríe antes de almacenar.

Piezas en la caja



- A** - SEPARADOR, 72" Derecha (1)
- B** - SEPARADOR, 72" Izquierdo (1)
- C** - PLACA, Bloqueo (1)
- D** - CUCHILLA, 72" triturador de césped (3)

- E** - TUERCA, Brida Nylock, 3/8-16 (6)
- F** - PERNO, cabeza redonda, 3/8-16 x 1 (6)
- G** - RETENEDOR, tuerca de empuje, 3/8 (4)

Instalación

Nota: La cubierta del cortacésped debe nivelarse cuando instale o retire el kit de triturador de césped. Consulte el Manual del Operador de la unidad para las instrucciones de nivelado de la cubierta.

Nota: El cortacésped de giro cero está equipado con un sistema de interbloqueo de seguridad. Este sistema está presente para su seguridad; no intente desviar ni alterar los interruptores y dispositivos de seguridad. Revise el sistema con las Pruebas del sistema de interbloqueo de seguridad enumeradas en el Manual del Operador. Siempre que instale o retire el kit de triturador de césped, debe realizar esta prueba.

Preparación

! ADVERTENCIA

Peligro de amputación y aplastamiento

Se deben tomar medidas específicas para realizar procedimientos de servicio y mantenimiento de manera segura.

Lea y respete todos los mensajes de seguridad e instrucciones en este manual.

Siempre desactive las cuchillas del cortacésped, active el freno de estacionamiento, APAGUE el motor, quite la llave de la ignición y espere que se detenga todo movimiento antes de realizar procedimientos de servicio y mantenimiento.

Siempre desconecte el/los cable(s) de la bujía y sujételos lejos de la bujía antes de comenzar cualquier procedimiento de mantenimiento o servicio a fin de prevenir una ignición accidental.

Utilice el equipo de protección personal, tal como calzado de seguridad, gafas de seguridad, guantes y protección auditiva. El cabello largo, la ropa floja o joyas pueden enredarse en las partes móviles.

El uso de piezas no autorizadas o aprobadas por STIHL puede provocar lesiones graves o mortales o daños a la propiedad.

Consulte el Manual del Operador para más información.

LLAVE:

Letras minúsculas (a) = Piezas existentes

Letras mayúsculas (A) = Piezas de kits

Instalación de los separadores del triturador de césped

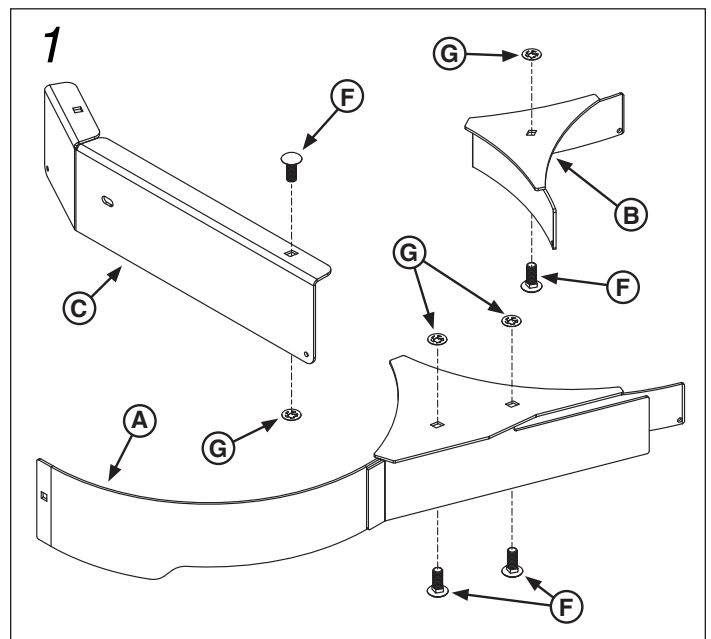
! PRECAUCIÓN

Peligro de laceraciones

Las cuchillas del cortacésped son filosas.

Siempre use guantes al manipular las cuchillas o trabajar cerca de ellas.

1. Retire la placa del deflector, si cuenta con él.
2. Ensamble los dos separadores (A y B, Figura 1) y la placa de bloqueo (C) con cuatro pernos de cabeza redonda (F) y retenedores de tuerca de empuje (G) como se muestra.



3. Retire la cubierta del cortacésped del cubierta del cortacésped. Consulte el Manual del Operador para las instrucciones para retirar la cubierta del cortacésped.

Nota: Utilizar una grúa o dispositivo de levantamiento similar para levantar la cubierta ayudara con la instalación del kit de triturador de césped.

! ADVERTENCIA

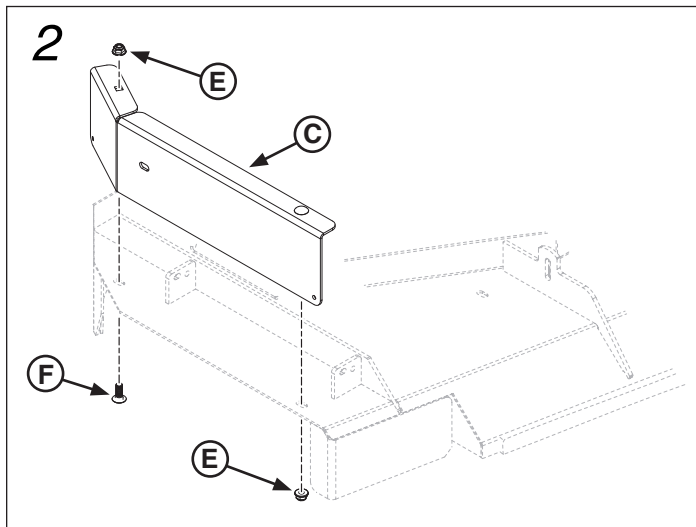
Peligro de aplastamiento.

Asegúrese de que la grúa este sujeta de manera segura a la cubierta del cortacésped antes de levantarla y mientras instala el kit.

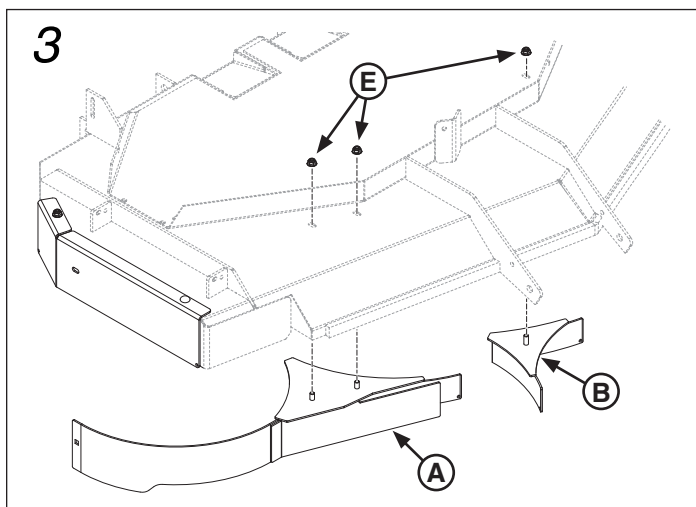
4. Eleve el deflector de descarga y sujételo en la posición elevada.

5. Instale la placa de bloqueo (A, Figura 2) sobre la cubierta del cortacésped. Utilice una tuerca de brida nylock de 3/8" (E) para asegurar el frente y un perno de cabeza redonda de 3/8" (F) con una tuerca de brida de nylock de 3/8" (E), que atraviesa la parte inferior de la cubierta del cortacésped. Ajuste la tornillería hasta 20 lb-ft (27 N·m).

Nota: El deflector de descarga no se muestra por motivos de claridad solamente. No retirar.

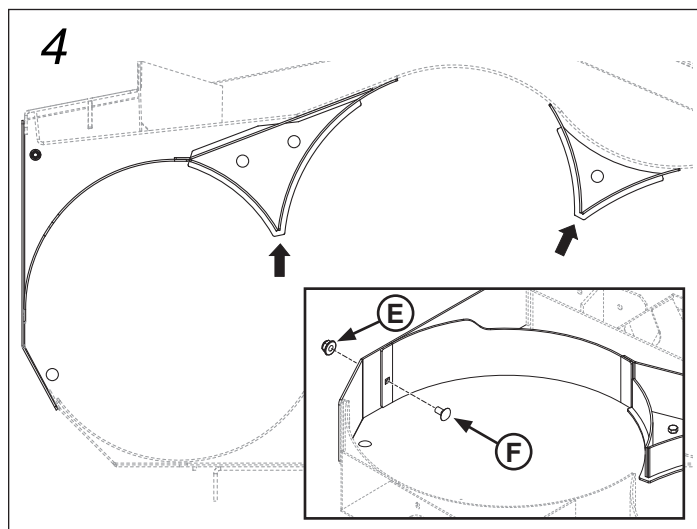


6. Instale el separador derecho (A, Figura 3) y el separador izquierdo (B) debajo de la cubierta del cortacésped, como se muestra en la Figura 3 con tuercas de brida nylock de 3/8" (E). No apriete.



7. Presione los separadores de manera ajustada contra el anillo frontal de la cubierta y ajuste las tuercas de brida nylock de 3/8" a 20 lb-ft (27 N·m). Consulte la Figura 4.

8. Instale un perno de cabeza redonda de 3/8" (F, Figura 4, inserción) y una tuerca de brida nylock de 3/8" (E) para asegurar el separador derecho a la placa de bloqueo. Ajuste la tornillería hasta 20 lb-ft (27 N·m).



Cambie las cuchillas.

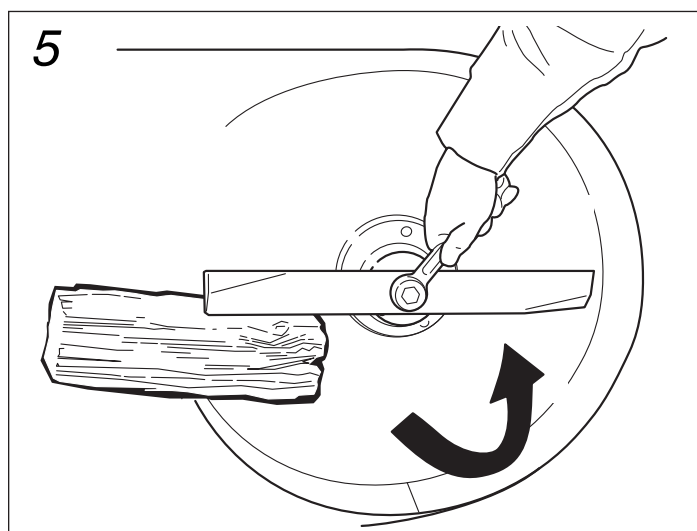
⚠ PRECAUCIÓN

Peligro de laceraciones

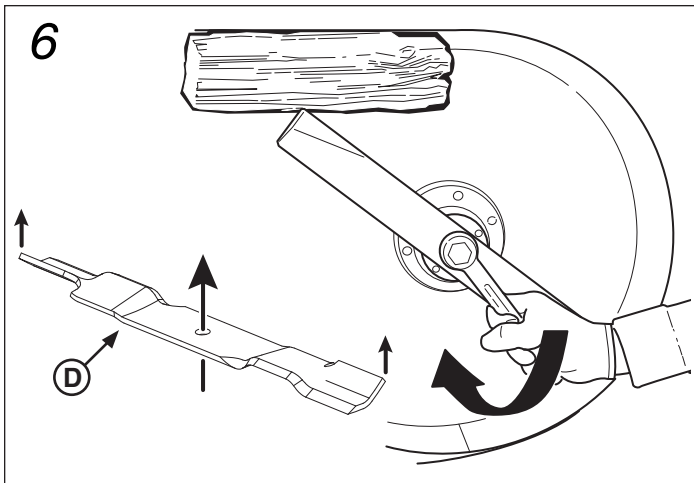
Las cuchillas del cortacésped son filosas.

Siempre use guantes al manipular las cuchillas o trabajar cerca de ellas.

1. Para retirar las cuchilla del cortacésped, coloque un bloque de madera entre la cuchilla del cortacésped y la carcasa de la cubierta del cortacésped para evitar que la cuchilla gire, luego retire la tornillería de la cuchilla. Consulte la Figura 5.



2. Instale las nuevas cuchillas para triturador de césped con la tornillería existente). Asegúrese de instalar las cuchillas de nuevo en la dirección correcta. Consulte la Figura 6. Ajuste la tornillería de la cuchilla a 50-60 lb-ft (68-81 Nm).



3. Instale la cubierta del cortacésped en el cortacésped de giro cero. Consulte el Manual del Operador para obtener más instrucciones.

Operación

Consulte el Manual del Operador para instrucciones detalladas sobre el kit de triturador de césped.

Retiro

Nota: La cubierta del cortacésped debe nivelarse cuando instale o retire el kit de triturador de césped. Consulte el Manual del Operador de la unidad para las instrucciones de nivelado de la cubierta.

Nota: El cortacésped de giro cero está equipado con un sistema de interbloqueo de seguridad. Este sistema está presente para su seguridad; no intente desviar ni alterar los interruptores y dispositivos de seguridad. Revise el sistema con las Pruebas del sistema de interbloqueo de seguridad enumeradas en el Manual del Operador. Siempre que instale o retire el kit de triturador de césped, debe realizar esta prueba.

ADVERTENCIA

Peligro de amputación y objetos arrojados

No opere la unidad sin el kit de triturador de césped completo ni el deflector en su lugar.

Preparación

Consulte *Instalación - Preparación*.

Retire el kit de triturador de césped.

Revierta las instrucciones de instalación. Asegúrese que el deflector de descarga regrese a su posición descendida.

PRECAUCIÓN

Peligro de laceraciones

Las cuchillas del cortacésped son filosas.

Siempre use guantes al manipular las cuchillas o trabajar cerca de ellas.

Mantenimiento y almacenaje

ADVERTENCIA

Peligro de amputación y aplastamiento

Se deben tomar medidas específicas para realizar procedimientos de servicio y mantenimiento de manera segura.

Lea y respete todos los mensajes de seguridad e instrucciones en este manual.

Siempre desactive las cuchillas del cortacésped, active el freno de estacionamiento, APAGUE el motor, quite la llave de la ignición y espere que se detenga todo movimiento antes de realizar procedimientos de servicio y mantenimiento.

Siempre desconecte el/los cable(s) de la bujía y sujételos lejos de la bujía antes de comenzar cualquier procedimiento de mantenimiento o servicio a fin de prevenir una ignición accidental.

Retire los desechos del kit de triturador de césped. Utilice detergente suave solamente para limpiar. (Otros productos podrían dañar los componentes).

Revise que el kit de triturador de césped no tenga piezas dañadas. Si encuentra daños o desgaste, contacte a un distribuidor de servicio autorizado STIHL para realizar reparación o reemplazo antes de que el conector regrese a servicio.

Utilice solo piezas de reemplazo STIHL recomendadas al realizar reparaciones.

Si la pintura está rayada en las piezas metálicas, retoque con pintura o aplique una capa delgada de aceite.

Almacene en un lugar seco para evitar la corrosión.

Consulte también la sección de Mantenimiento del Manual del Operador de la unidad.

Resolución de problemas

<i>Cortacésped obstruido o atascado.</i>	
Causa	Solución
El césped está húmedo.	Permita que el césped seque.
El césped esta demasiado alto.	Ajuste a una altura de corte más alta.
La velocidad de desplazamiento es demasiado rápida.	Utilice una menor velocidad de desplazamiento
La velocidad del motor es demasiado lenta.	Ajuste la velocidad del motor a RÁPIDO.

Consulte también la sección de Resolución de problemas del Manual del Operador de la unidad.

Para todos los demás problemas, consulte al distribuidor de servicio autorizado STIHL.

Garantía limitada

Política de garantía limitada de STIHL Incorporated - EE. UU.

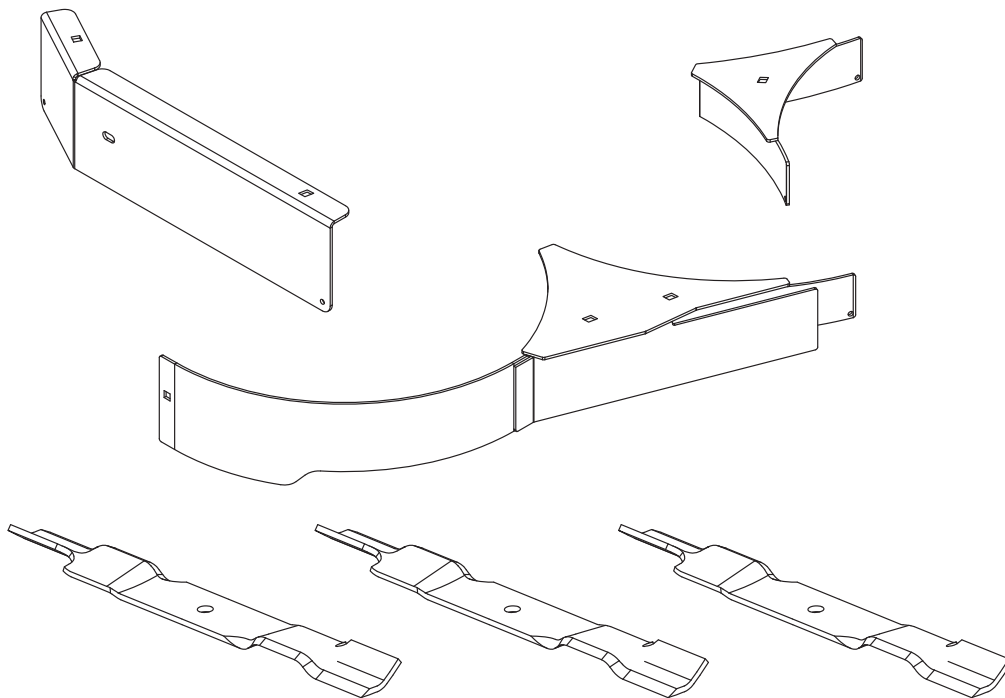
Este producto se vende sujeto a la Política de garantía limitada de STIHL Incorporated disponible en www.stihlusa.com/warranty.html. También se puede obtener de su distribuidor de servicio autorizado de STIHL, o llamando al 1-800-GO-STIHL (1-800-467-8445).

Política de garantía limitada de STIHL - Canadá

Este producto se vende sujeto a la Política de garantía limitada de STIHL, disponible en www.stihl.ca. También se puede obtener de su distribuidor de servicio autorizado de STIHL.

AMZ 072

STIHL



Instructions de configuration et d'utilisation



AVERTISSEMENT

Bien lire les instructions de configuration et d'utilisation avant d'utiliser et suivre toutes les consignes de sécurité. L'utilisation à mauvais escient peut occasionner des blessures graves ou mortelles.

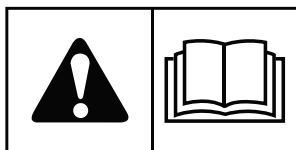


Table des matières

Renseignements généraux	2
Sécurité de l'opérateur	3
Pièces dans la boîte	4
Installation	5
Utilisation	7
Retrait	7
Entretien et rangement.....	8
Garantie limitée	9

Renseignements généraux

Merci d'avoir acheté ce produit STIHL de qualité. Nous sommes heureux que vous avez fait confiance à la marque STIHL.

Les manuels inclus avec cet équipement contiennent des renseignements de sécurité pour vous faire connaître les dangers et les risques associés à cet équipement et la façon de les éviter. Cet équipement a été conçu pour être utilisé tel que décrit dans le manuel d'utilisation et n'est pas destiné à d'autres fins. Il est important de bien lire et comprendre ces instructions avant de tenter d'utiliser cet équipement.

Conservez ces instructions d'origine pour référence future.

Les images dans ce document sont représentatives et visent à compléter les instructions qu'elles accompagnent. Votre appareil peut varier des images affichées. *GAUCHE* et *DROITE* : telles que vues à partir de la position de l'opérateur.

Demandez à votre concessionnaire d'entretien STIHL autorisé de vous montrer comment utiliser votre équipement.

Ne pas prêter ou louer votre équipement sans ce manuel d'utilisation. Laisser seulement les personnes qui ont reçu la formation appropriée et qui comprennent bien les renseignements dans ce manuel utiliser l'équipement.

Pour en savoir plus ou si vous ne comprenez pas certaines instructions dans ce manuel, veuillez visiter stihlusa.com ou contacter votre concessionnaire d'entretien STIHL autorisé.



Tout le matériel d'emballage, les huiles usées et les batteries devraient être recyclés selon la réglementation gouvernementale en vigueur.

Renseignements sur les accessoires

Les produits suivants sont couverts par ce manuel :

AMZ 072 Trousse de déchetage pour STIHL RZ 972

Cet accessoire est conçu pour utilisation sur les modèles suivants seulement :

STIHL RZ 972.0


AVERTISSEMENT


Risque de fonctionnement non sécuritaire


- Ne pas tenter d'utiliser cet accessoire sur un appareil autre que celui pour lequel il a été conçu. Il pourrait alors y avoir mort ou blessure grave.


Sécurité de l'utilisateur

Symbole d'alerte de sécurité et mots-indicateurs

Le symbole d'alerte de sécurité  est utilisé pour identifier des informations de sécurité sur les dangers pouvant entraîner des blessures. Un mot-indicateur (**DANGER**, **AVERTISSEMENT** ou **ATTENTION**) est utilisé avec le symbole d'alerte pour indiquer la probabilité et la gravité potentielle des blessures. En plus, un symbole de danger peut être utilisé pour représenter un type de danger.

 **DANGER** indique un danger qui, si non évité, provoquera la mort ou des blessures graves.

 **AVERTISSEMENT** indique un danger qui, si non évité, pourrait causer la mort ou des blessures graves.

 **ATTENTION** indique un danger qui, si non évité, pourrait causer une blessure mineure ou modérée.

AVIS indique des informations considérées importantes, mais non liées aux dangers.

Instructions de sécurité

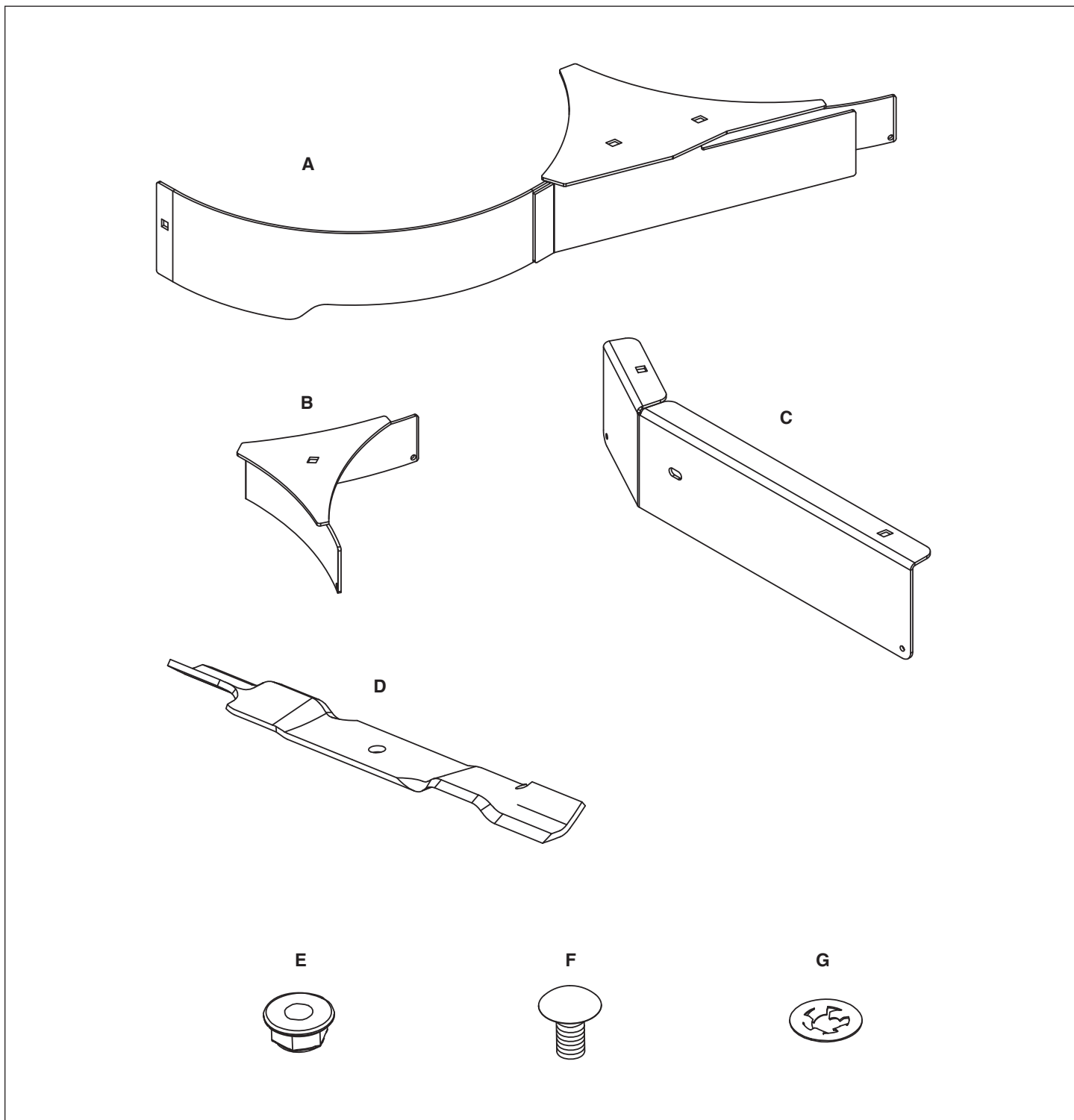
Sécurité générale

AVERTISSEMENT

- Lire, comprendre et suivre les instructions et avertissements dans ce manuel et sur l'appareil, le moteur et les accessoires avant d'utiliser cet appareil.
- Ne pas lire et observer ces instructions de sécurité pourraient entraîner une perte de commande de la machine, des blessures graves, voire la mort pour vous ou les tiers ou endommager la propriété ou l'équipement. Le plateau de coupe peut amputer des mains et des pieds et projeter des objets.
- Ne pas utiliser cet appareil à moins d'avoir été formé. Le propriétaire est responsable de la formation des usagers. Lire et comprendre ce manuel d'utilisation sont une façon de vous former.
- Si l'opérateur ou le mécanicien ne peut lire le matériel, le propriétaire est responsable de le lui expliquer.
- L'équipement motorisé est aussi sûr que l'opérateur. Elle peut être dangereuse si elle n'est pas utilisée à bon escient ou si elle n'est pas correctement entretenue.
- Le propriétaire/l'utilisateur peut prévenir et est responsable des accidents ou des blessures qu'il subit ou que d'autres personnes ou biens subissent.
- Permettre uniquement aux utilisateurs responsables, formés, familiers avec les instructions et physiquement capables d'utiliser l'appareil.
- Ne jamais laisser des enfants ou des personnes non formées utiliser ou entretenir l'appareil. Des réglementations locales peuvent restreindre l'âge de l'opérateur.

- Ne pas utiliser l'appareil sous l'effet d'alcool ou de drogues.
- Ne jamais utiliser un téléphone intelligent, une tablette ou autre appareil électronique en utilisant. La conduite distraite peut augmenter le risque d'accidents ou de blessures.
- Porter de l'équipement de protection individuelle approprié comme des chaussures de sécurité, un pantalon long, des lunettes de sécurité et une protection des oreilles. Les cheveux longs, les vêtements amples ou les bijoux peuvent s'enchevêtrer dans les pièces mobiles.
- Faire preuve de bon sens et bien penser à ce que l'on fait.
- En cas de doute qu'une tâche puisse être effectuée sans danger avec l'équipement choisi, s'adresser à un professionnel : contacter votre service d'entretien STIHL autorisé.
- Ne jamais placer les mains ou les pieds près des pièces en mouvement ou sous l'appareil. Rester loin de l'ouverture d'éjection en tout temps.
- Maintenir l'appareil en bon état de marche. Remplacer les pièces usées ou endommagées.
- Utiliser des rampes pleine largeur pour charger et décharger un appareil pour le transport.
- Faire preuve de prudence avec les bacs de ramassage ou autres accessoires. Ils peuvent modifier la stabilité de la machine. Voir le manuel de l'accessoire ou contacter votre concessionnaire STIHL autorisé pour en savoir plus sur les poids ou contre-poids de roue appropriés.
- Pour empêcher les incendies, dégager l'herbe, les feuilles et tout autre matériau indésirable sur l'appareil. Nettoyer tout débordement d'huile ou de carburant. Éliminer les débris trempés de carburant et laisser l'appareil refroidir avant de le ranger.

Pièces dans la boîte



A - CHICANE, 72 po droite (1)

B - CHICANE, 72 po gauche (1)

C - PLAQUE, blocage (1)

D - LAME, 72 po, déchiquetage (3)

E - ÉCROU, bride Nylock, 3/8-16 (6)

F - BOULON, carrosserie, 3/8-16 x 1 (6)

G - ARRÊTOIR, écrou capuchon, 3/8 (4)

Installation

Remarque : Le plateau de coupe de la tondeuse doit être de niveau quand la trousse de déchetage est installée ou retirée. Consulter le manuel d'utilisation pour les instructions de mise à niveau du plateau.

Remarque : Cette tondeuse à braquage zéro est équipée d'un système d'interverrouillage de sécurité. Ce système est présent pour votre sécurité : ne pas tenter de contourner ou d'altérer les commutateurs et les dispositifs. Vérifier ce système en utilisant la liste des essais du système de sécurité dans le manuel d'utilisation. Vous devez effectuer ce test à chaque fois que la trousse de déchetage est installée ou retirée.

Préparation

AVERTISSEMENT

Danger d'amputation et écrasement

Des étapes spécifiques doivent être prises afin d'exécuter de manière sécuritaire les procédures d'entretien et de service.

Lire et suivre tous les messages pertinents à la sécurité de ce manuel.

Toujours désengager les lames de la tondeuse, tirer le frein de stationnement, **ARRÊTER** le moteur, retirer la clé de contact et attendre qu'il n'y ait plus de mouvement avant d'exécuter les procédures d'entretien et de réparation.

Toujours débrancher le ou les câbles de la bougie d'allumage et le fixer/les fixer éloigné(s) de la bougie avant de commencer toute procédure d'entretien ou de réparation afin de prévenir l'allumage accidentel.

Porter de l'équipement de protection individuelle approprié comme des chaussures de sécurité, des lunettes de sécurité, des gants et une protection des oreilles. Les cheveux longs, les vêtements amples ou les bijoux peuvent s'enchevêtrer dans les pièces mobiles.

Utiliser des pièces qui ne sont pas autorisées ou approuvées par STIHL peut causer des blessures graves ou mortelles ou endommager la propriété.

Consulter le manuel d'utilisation de l'appareil pour en savoir plus.

CLÉ :

Letres bas de casse (a) = Pièces existantes

Letres haut de casse (A) = Pièces de la trousse

Installer les chicanes de la déchiqueteuse

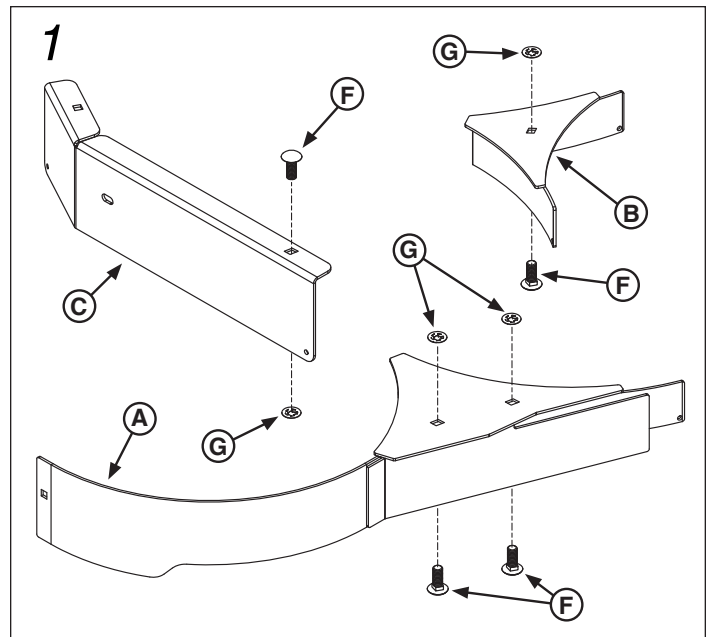
ATTENTION

Risque de lacération

Les lames de la tondeuse sont coupantes.

Toujours porter des gants pour manipuler des lames de tondeuse ou lorsqu'on travaille à proximité.

1. Retirer la plaque de déflecteur, le cas échéant.
2. Assembler les deux chicanes (A et B, Figure 1) et la plaque de blocage (C) avec quatre boulons de carrosserie (F) et arrêteurs d'écrou capuchon (G), tel qu'indiqué.



3. Retirer le plateau de coupe de la tondeuse à braquage zéro. Voir le manuel d'utilisation pour les instructions afin de retirer le plateau de coupe de la tondeuse.

Remarque : Un palan ou un appareil de levage semblable pour lever le plateau de coupe aidera à installer la trousse de déchetage.

AVERTISSEMENT

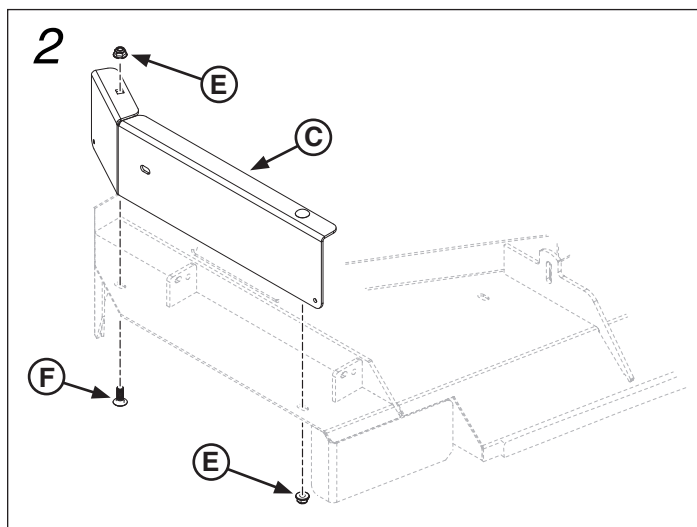
Risque d'écrasement

S'assurer que le palan est bien fixé au plateau de coupe de la tondeuse avant de soulever et en cours d'installation de la trousse.

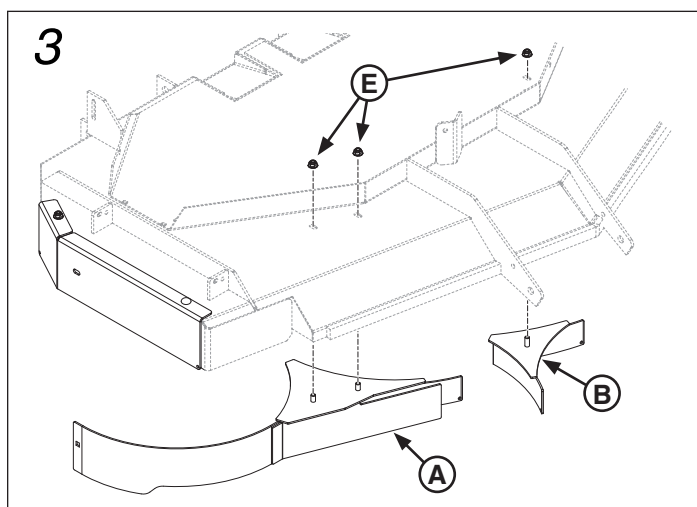
4. Soulever le déflecteur de décharge et le fixer en position levée.

5. Installer la plaque de blocage (C, Figure 2) sur le plateau de coupe de la tondeuse. Utiliser un écrou à bride nylock de 3/8 po (E) pour fixer le devant et un boulon de carrosserie de 3/8 po (F) avec un écrou à bride nylock de 3/8 po (E) à l'arrière, passant du bas du plateau de coupe de la tondeuse. Serrer la quincaillerie à 20 lb-pi (27 Nm).

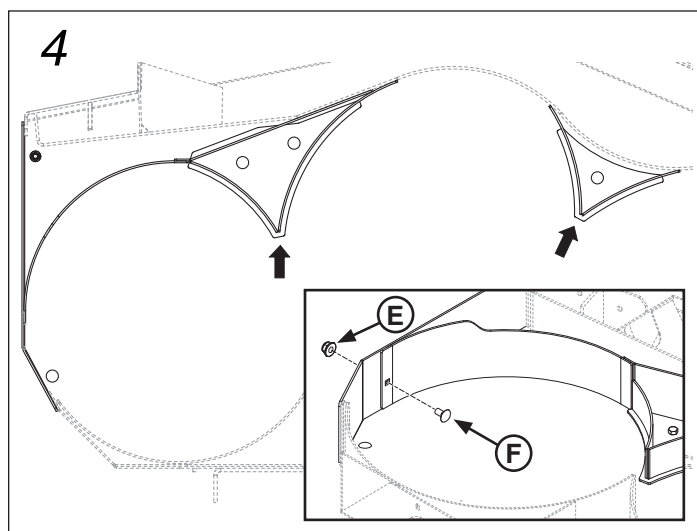
Remarque : Déflecteur d'éjection non illustré aux fins de clarté. Ne pas l'enlever.



6. Installer la chicane droite (A, Figure 3) et la chicane gauche (B) sous le plateau de coupe de la tondeuse, tel qu'indiqué à la Figure 3, et fixer avec les écrous à bride nylock de 3/8 po (E). Ne pas serrer.



7. Pousser les chicanes contre l'anneau du plateau de coupe avant et serrer les écrous à bride nylock de 3/8 po à 20 lb-pi (27 Nm). Voir Figure 4.
8. Installer un boulon de carrosserie de 3/8 po (F, Figure 4, encadré) et un écrou à bride nylock de 3/8 po (E) pour fixer la chicane droite à la plaque de blocage. Serrer la quincaillerie à 20 lb-pi (27 Nm).



Remplacer les lames

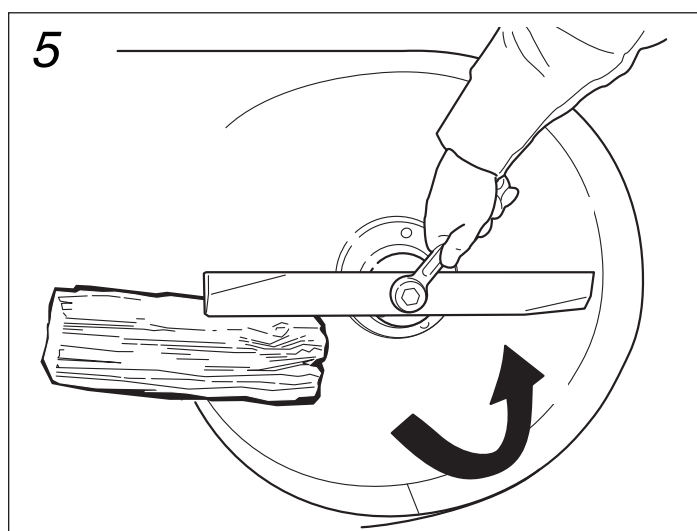
⚠ ATTENTION

Risque de lacération

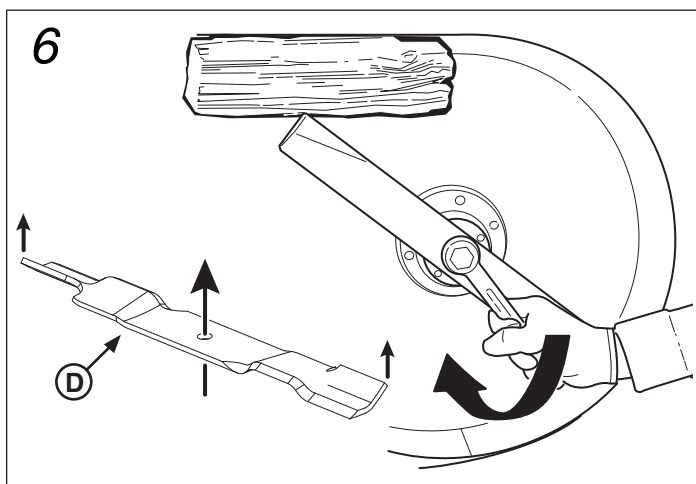
Les lames de la tondeuse sont coupantes.

Toujours porter des gants pour manipuler des lames de tondeuse ou lorsqu'on travaille à proximité.

1. Pour retirer les lames de la tondeuse, coincer un bloc de bois entre la lame de la tondeuse et le châssis de plateau de coupe de la tondeuse afin d'empêcher la lame de la tondeuse de tourner, puis retirer la quincaillerie de la lame. Voir Figure 5.



2. Installer les nouvelles lames de déchetage avec la quincaillerie existante. S'assurer d'installer les lames dans la bonne direction. Voir Figure 6. Serrer la quincaillerie de la lame à 50-60 lb-pi (68-81 Nm).



3. Installer le plateau de coupe de la tondeuse sur la tondeuse à braquage zéro. Voir le manuel d'utilisation pour les instructions.

Fonctionnement

Consulter le manuel d'utilisation pour des instructions de déchetage détaillées.

Enlèvement

Remarque : Le plateau de coupe de la tondeuse doit être de niveau quand la trousse de déchetage est installée ou retirée. Consulter le manuel d'utilisation pour les instructions de mise à niveau du plateau.

Remarque : Cette tondeuse à braquage zéro est équipée d'un système d'interverrouillage de sécurité. Ce système est présent pour votre sécurité : ne pas tenter de contourner ou d'altérer les commutateurs et les dispositifs. Vérifier ce système en utilisant la liste des essais du système de sécurité dans le manuel d'utilisation. Vous devez effectuer ce test à chaque fois que la trousse de déchetage est installée ou retirée.

AVERTISSEMENT

Risque d'amputation et d'objets projetés

Ne pas utiliser cet appareil avant d'avoir mis la trousse de déchetage complète ou le déflecteur en place.

Préparation

Voir *Installation - Préparation*.

Retirer la trousse de déchetage

Inverser les instructions d'installation. S'assurer que le déflecteur d'éjection est retourné à la position abaissée.

ATTENTION

Risque de lacération

Les lames de la tondeuse sont coupantes.

Toujours porter des gants pour manipuler des lames de tondeuse ou lorsqu'on travaille à proximité.

Entretien et rangement

AVERTISSEMENT

Danger d'amputation et d'écrasement

Des étapes spécifiques doivent être prises afin d'exécuter de manière sécuritaire les procédures d'entretien et de service.

Lire et suivre tous les messages pertinents à la sécurité de ce manuel.

Toujours désengager les lames de la tondeuse, tirer le frein de stationnement, **ARRÊTER** le moteur, retirer la clé de contact et attendre qu'il n'y ait plus de mouvement avant d'exécuter les procédures d'entretien et de réparation.

Toujours débrancher le ou les câbles de la bougie d'allumage et l'attacher éloigné de la bougie avant de commencer toute procédure d'entretien ou de réparation afin de prévenir l'allumage accidentel.

Retirer tous les débris de la trousse de déchiquetage. Pour nettoyer, utiliser un détergent doux seulement. (Autres produits pourraient endommager les composants.)

Examiner la trousse de déchiquetage pour pièces usées ou endommagées. S'il y a des pièces usées ou endommagées, voir un service d'entretien STIHL autorisé pour les réparer ou les remplacer avant de remettre l'accessoire en service.

Utiliser seulement des pièces de rechange recommandées STIHL quand vous réparez.

Si la peinture a été égratignée sur les pièces métalliques, la retoucher avec de la peinture ou appliquer une mince couche d'huile.

Pour éviter la corrosion, ranger dans un endroit sec.

Voir également la section Entretien du manuel d'utilisation de l'appareil.

Dépannage

<i>La tondeuse se bouche ou s'embourbe.</i>	
Cause	Solution
L'herbe est mouillée	Laisser l'herbe sécher
L'herbe est trop longue	Augmenter la hauteur de coupe
Vitesse de déplacement au sol trop rapide	Réduire la vitesse de déplacement au sol
Régime du moteur trop bas	Régler le régime du moteur à RAPIDE

Voir également la section Dépannage du manuel d'utilisation de l'appareil.

Pour tout autre problème, consulter un service d'entretien STIHL.

Garantie limitée

Politique de garantie limitée STIHL Incorporated - USA

Ce produit est vendu en vertu de la politique de la garantie limitée de STIHL Incorporated disponible sur www.stihlusa.com/warranty.html. Elle peut aussi être obtenue de votre service d'entretien STIHL autorisé ou en appelant le 1 800 GO-STIHL (1 800 467-8445).

Politique de garantie limitée STIHL - Canada

Ce produit est vendu en vertu de la politique de garantie limitée STIHL disponible sur www.stihl.ca. Vous pouvez aussi l'obtenir de votre détaillant autorisé de service STIHL.

